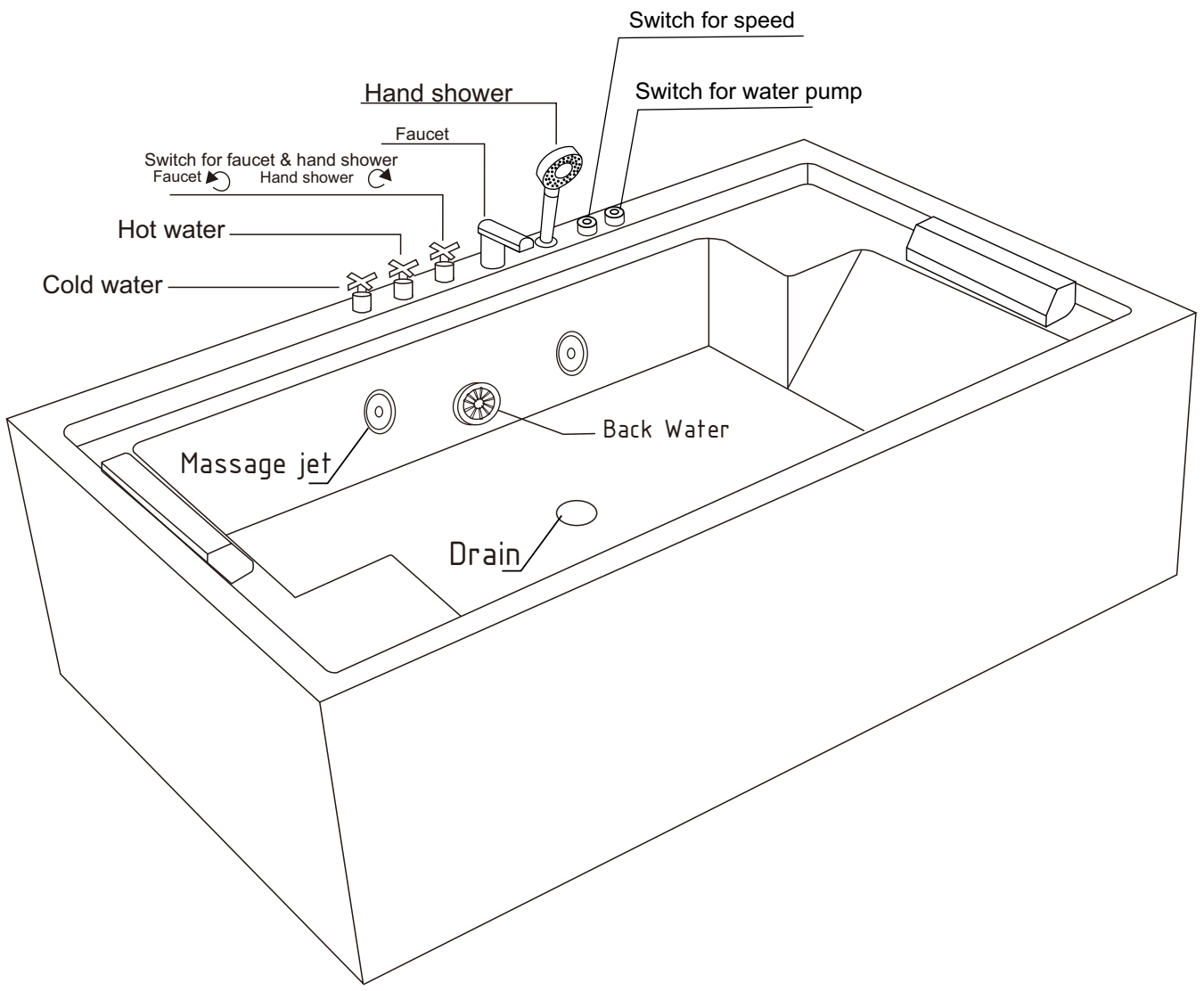
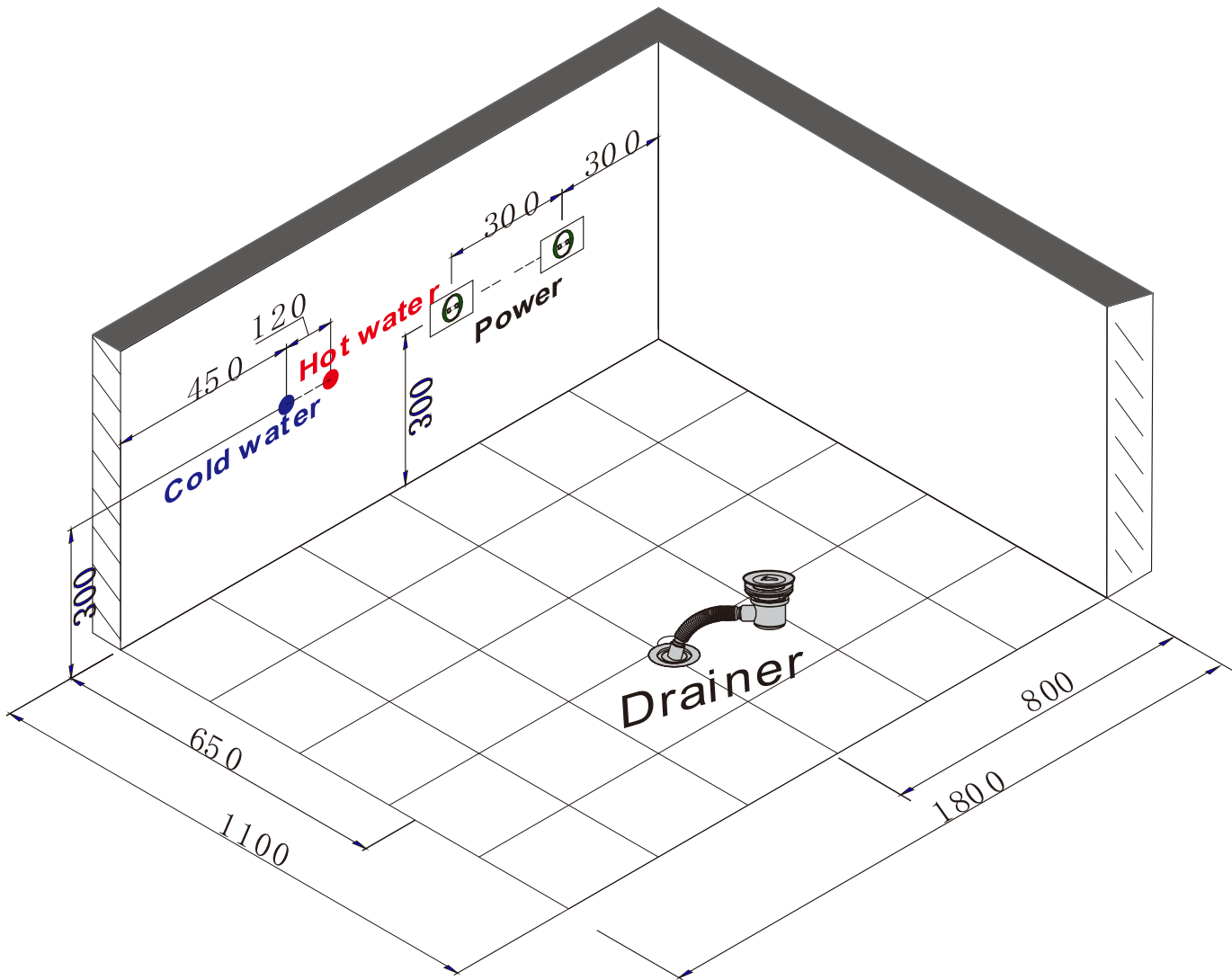



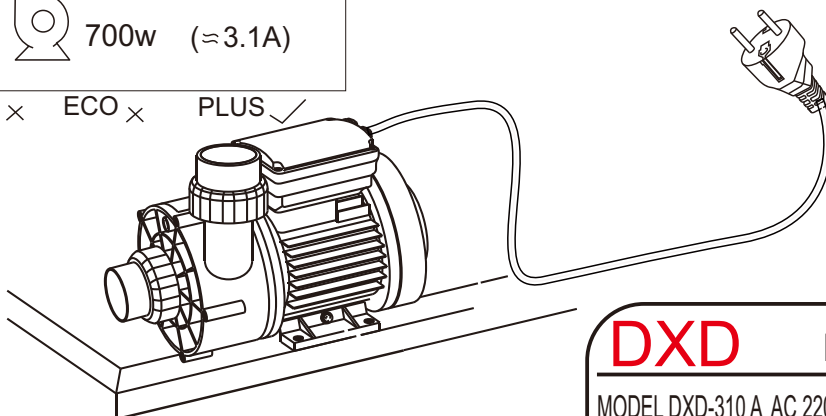
1800x1100x590 mm





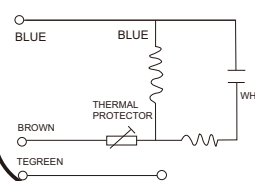
+  700w ($\approx 3.1A$)




VITAL ECO PLUS




DXD PUMP

MODEL DXD-310 A AC 220-240V 50Hz 700W CLASS B IPX5
 MAX WATER TEMPERATURE 50C 15u F/450V Hmin 1m




 Mround properly!
 Do Not Start Pump
 Without Water!

