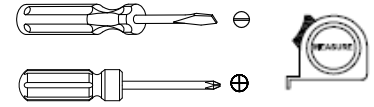


ASSEMBLY INSTRUCTIONS

Rubin Kitchen Cart

Item# 71660

ASSEMBLY
REQUIREMENTS2-Person
Assembly60 Minutes
Assembly Time
(Approximate)Tools Required:
(Not Provided)**Thank you for purchasing our product!**

Please refer and use this assembly instruction to assemble the product. Contact our customer service department in case there are any missing or damage parts or hardware. Replacement parts are normally shipped within 2 or 3 days.

Email: replacementparts@buylateral.com
Within 30 days from delivery date

We appreciate your business!

**ASSEMBLY PREPARATION**

1. Remove all packaging materials, staples and packing straps from the carton.
2. Refer to Parts List and Hardware List, and ensure parts and hardware are correct before assembly. Contact customer service for missing parts.
3. Place all wooden parts on a clean, flat and soft surface (e.g. carpet or rug) to prevent scratch and damage to parts.

SAFETY PRECAUTION

1. KEEP ALL HARDWARE PARTS OUT OF REACH OF CHILDREN.
2. DISPOSE PLASTIC PACKAGING MATERIAL IMMEDIATELY TO AVOID ANY RISK OF SUFFOCATION TO CHILDREN AND ANIMALS.

TIPS FOR ASSEMBLY

1. Allow ample room for assembly and assemble the product near where product will be placed.
2. Assemble the product on a surface that does not scratch or damage the exterior gloss and finish of the furniture.
3. Identify all of the parts, hardware and quantities required for each step.
4. During assembly, do not over-tighten any fittings as this may cause damage.
5. DO NOT USE POWER TOOLS TO ASSEMBLE THIS PRODUCT.
6. Always place the product on a flat, level surface.
7. Do not sit or stand on the partially assembled product; only use the product for which it is intended.

CARE AND MAINTENANCE

- Use a slightly damp cloth to clean the product. Do not use bleach or abrasive cleaning material.
- Check all the fittings periodically and re-tighten as necessary. Do not use the product if any of the parts is damaged or broken.
- Never allow any kind of liquid to remain on your furniture. Absorption can cause wood to warp or delaminate.
- Do not place hot items (e.g. hot drinks) directly onto the wood surface.
- Do not drag and/or pull the furniture.



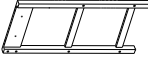

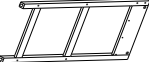


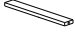

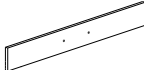

This product is for indoor and household use only - not for commercial use.

ASSEMBLY INSTRUCTIONS

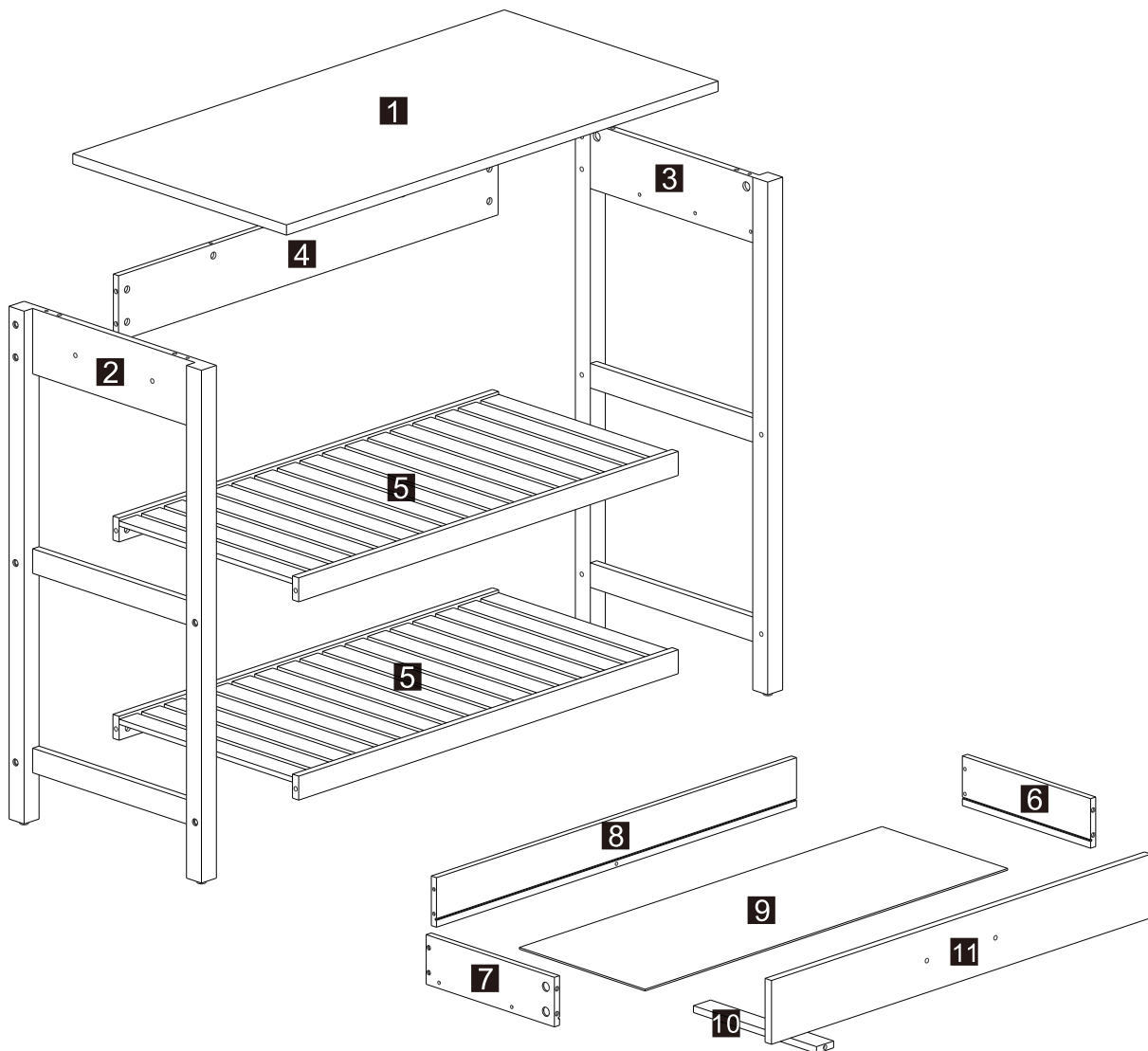
Rubin Kitchen Cart

Item# 71660

PARTS LIST

ITEM	DESCRIPTION	PART	QTY	ITEM	DESCRIPTION	PART	QTY
1	Top Panel		1PC	7	Drawer Left Panel		1PC
2	Left Leg Frame		1PC	8	Drawer Back Panel		1PC
3	Right Leg Frame		1PC	9	Drawer Bottom Panel		1PC
4	Back Panel		1PC	10	Drawer Support Panel		1PC
5	Shelf		2PCS	11	Drawer Front Panel		1PC
6	Drawer Right Panel		1PC				

PARTS ASSEMBLY OVERVIEW

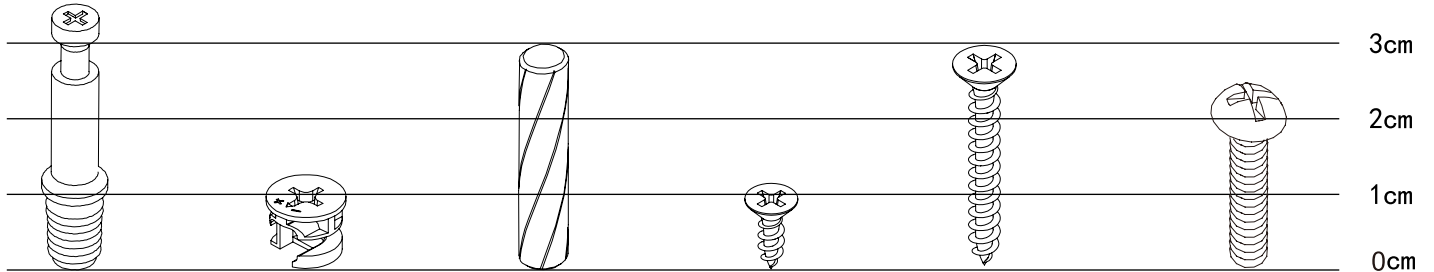


ASSEMBLY INSTRUCTIONS

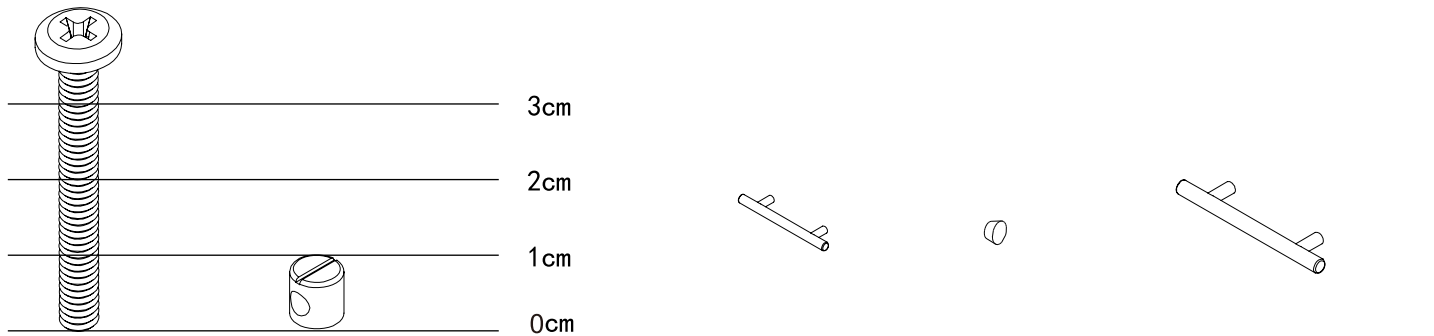
Rubin Kitchen Cart

Item# 71660

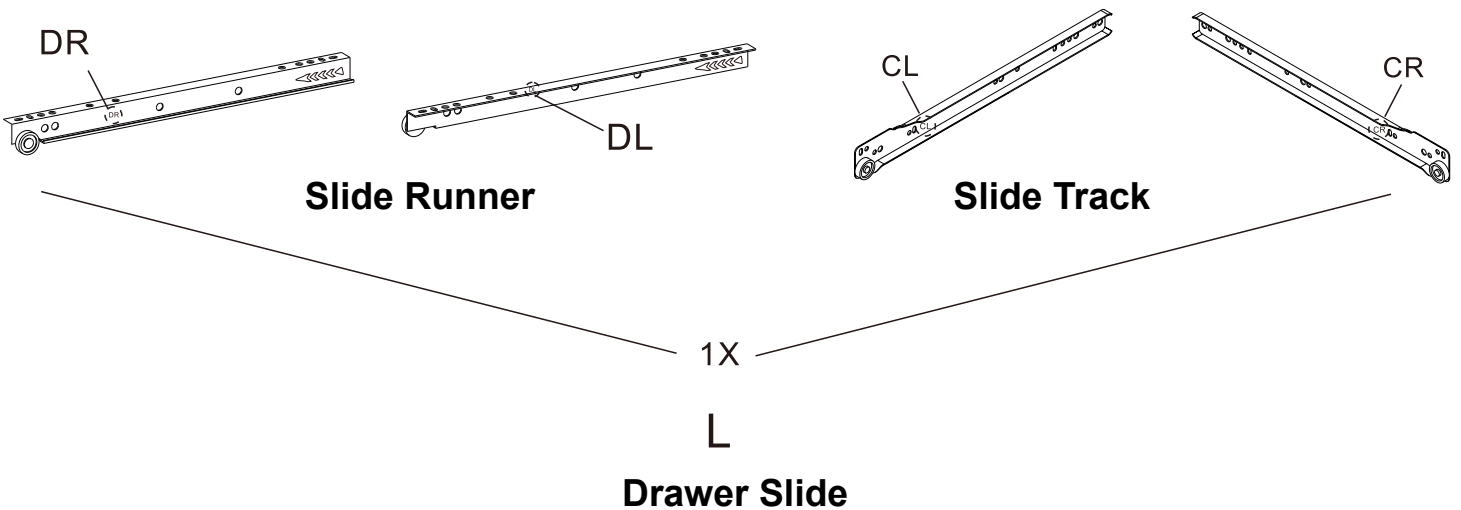
HARDWARE LIST



11X 6X35mm A Cam-bolt	11X 15X10mm B Cam-lock	4X 6X30mm C Wooden Dowel	10X 3X12mm D Screw	5X 4X30mm E Screw	4X 4X25mm F Screw
---------------------------------------	--	--	------------------------------------	-----------------------------------	-----------------------------------



12X 6X60mm G Long Bolt	12X 10X10mm H Barrel Nut	1X I Drawer Handel	12X J Screw Cover	1X K Towel Handel
--	--	---------------------------------	--------------------------------	--------------------------------



INSTRUCTIONS FOR CAM-BOLT & CAM-LOCK

INSERTING AND TIGHTENING CAM-BOLT

SHOULDER

PANEL

Place Cam-bolt on pre-drilled hole and screw in vertically

Shoulder is flushed (on the same level) with the panel.

Shoulder is above the panel.

Place Cam-bolt on the designated pre-drilled holes on the panel. Use a Phillips Screwdriver to screw-in Cam-bolt vertically until shoulder is flushed (on the same level) with panel.

INSERTING CAM-LOCK

Insert Cam-lock with arrow align to Cam-bolt head

CORRECT

WRONG

Align the arrow on the Cam-lock to the Cam-bolt head and insert the Cam-lock. Ensure Cam-lock is fully inserted.

TIGHTENING CAM-LOCK

Use a Flat-head Screwdriver to turn Cam-lock clockwise so it locks onto the head of the Cam-bolt. Turn until it is snug (about 3/4ths of a turn) -- over-tightening could damage Cam-lock or/and Cam-bolt.

Instructions For Barrel Nut

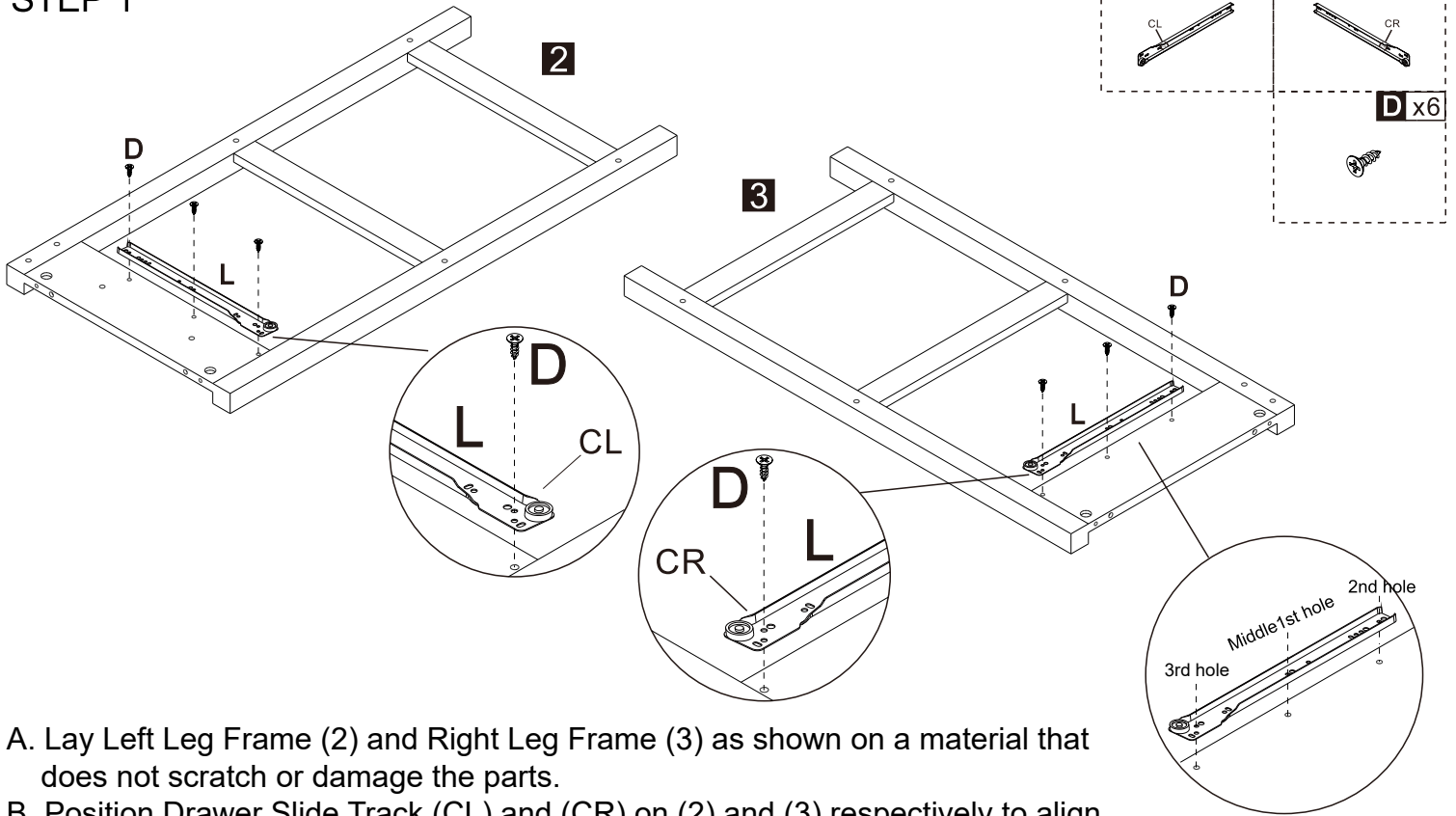
Insert Barrel Nut with the perpendicular hole facing and in-line with the drill hole that the bolt is to be inserted.

STEP 1

STEP 2

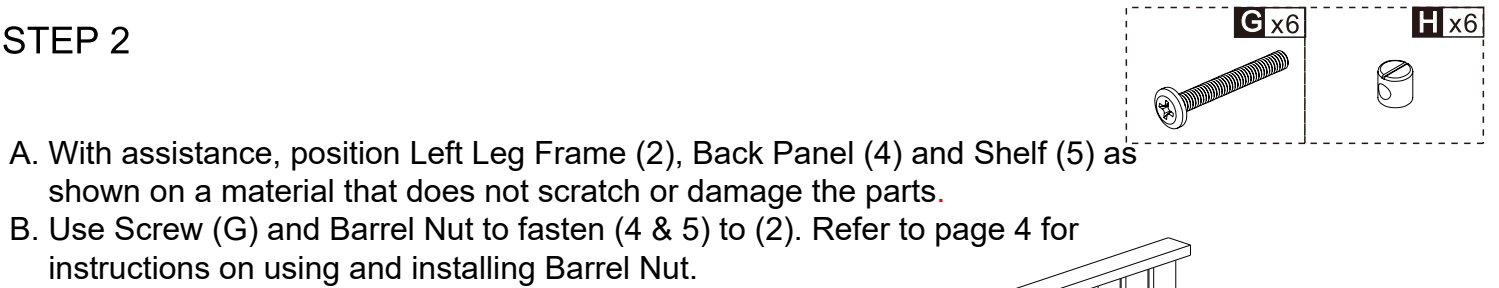
Use a Flat-head Screwdriver to hold Barrel Nut in position before inserting bolt to thread into the Barrel Nut.

STEP 1

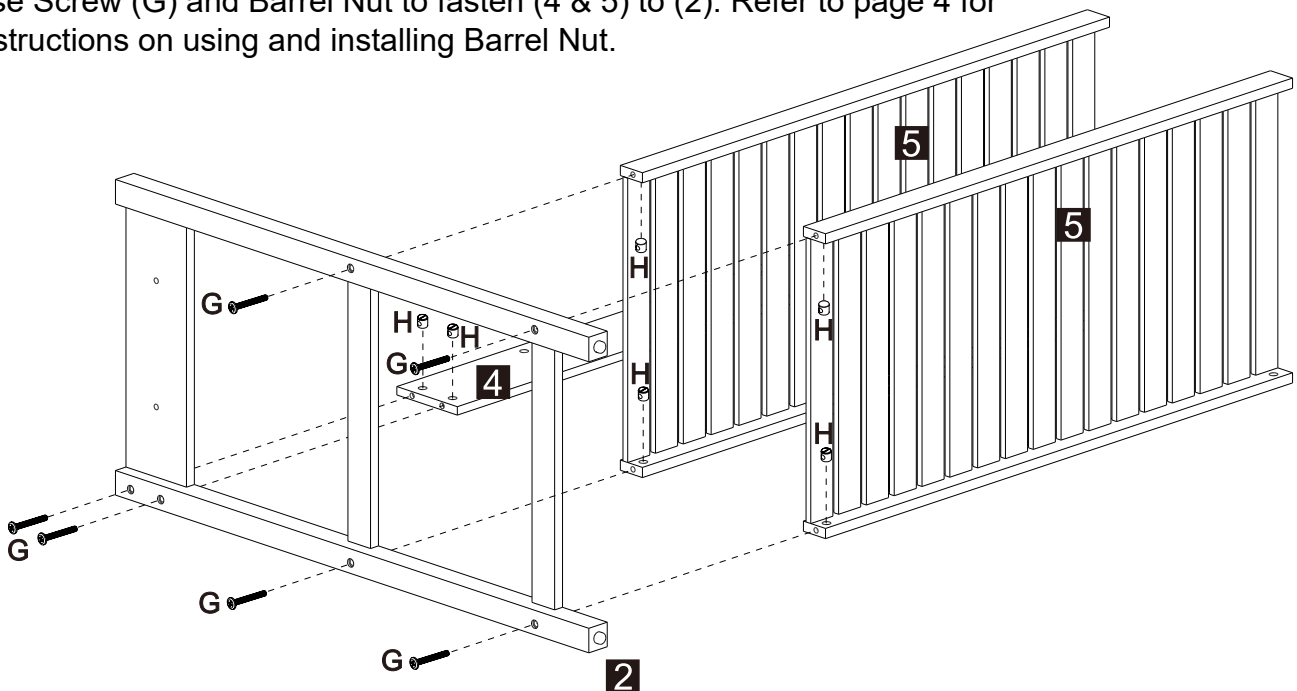


- Lay Left Leg Frame (2) and Right Leg Frame (3) as shown on a material that does not scratch or damage the parts.
- Position Drawer Slide Track (CL) and (CR) on (2) and (3) respectively to align the designated screw holes on each part.
- Use Screw (D) to fasten (CL & CR) to (2 & 3). Do not tighten the screws completely until all 3 screws are in place.

STEP 2

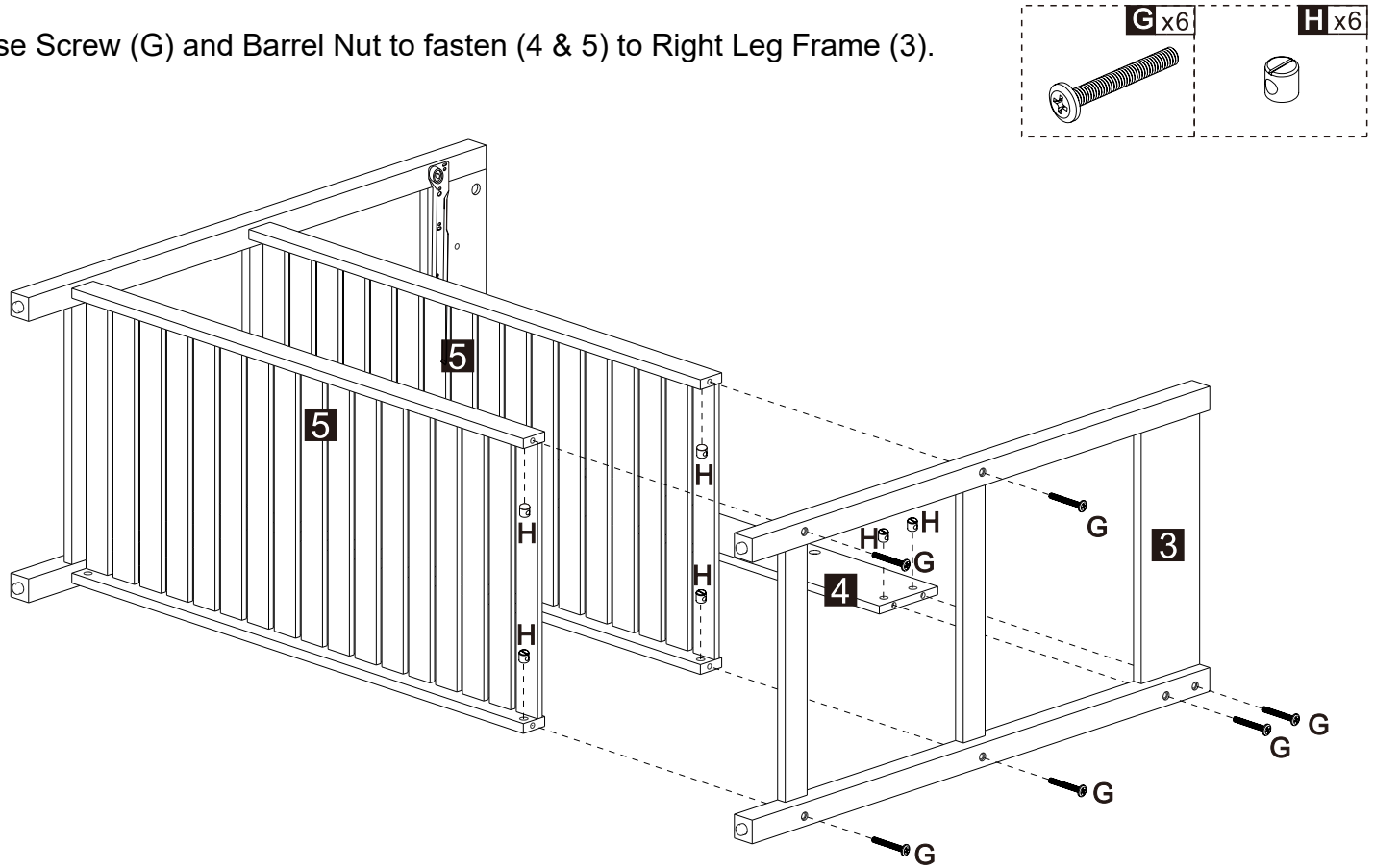


- With assistance, position Left Leg Frame (2), Back Panel (4) and Shelf (5) as shown on a material that does not scratch or damage the parts.
- Use Screw (G) and Barrel Nut to fasten (4 & 5) to (2). Refer to page 4 for instructions on using and installing Barrel Nut.

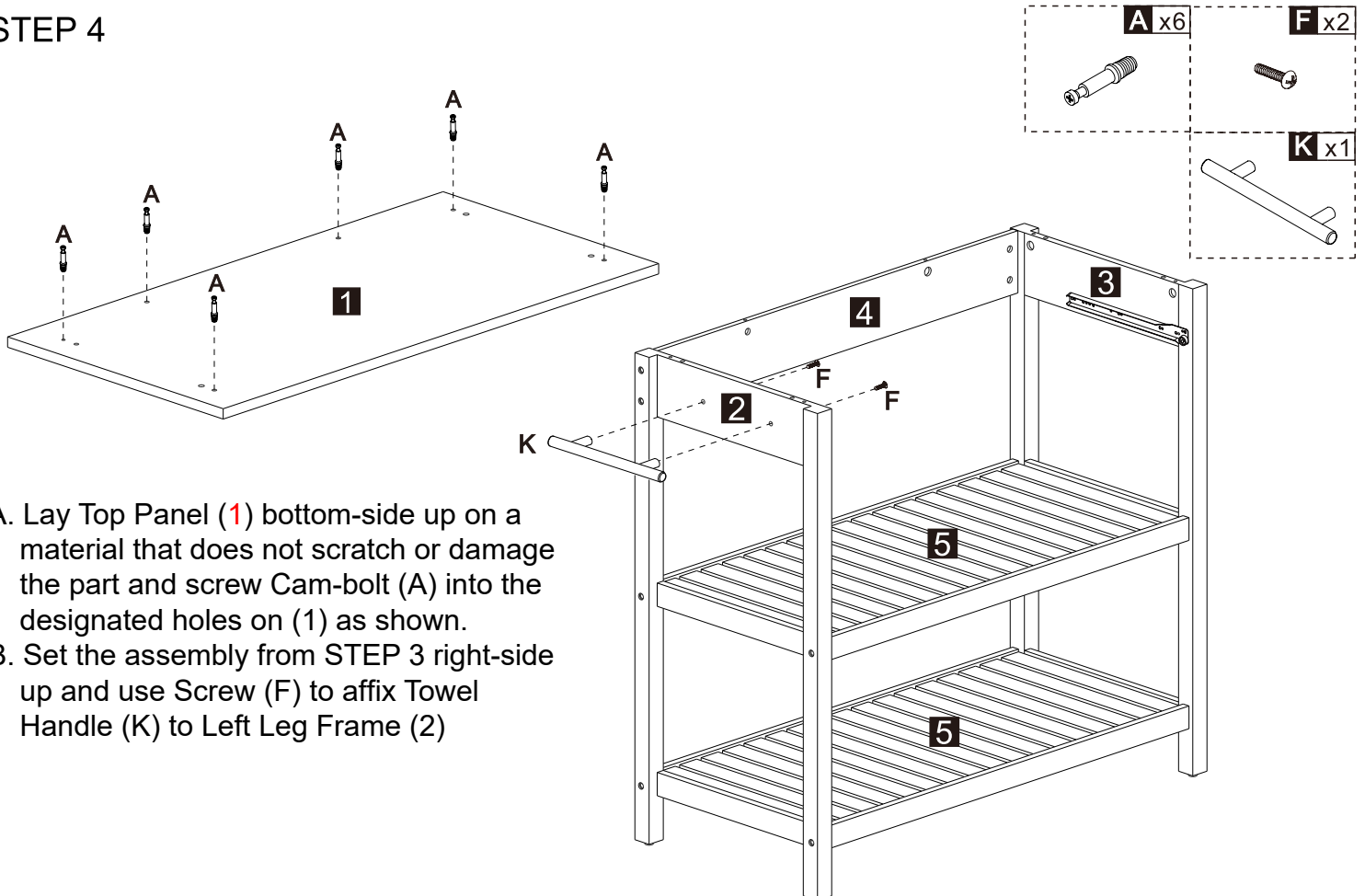


STEP 3

A. Use Screw (G) and Barrel Nut to fasten (4 & 5) to Right Leg Frame (3).



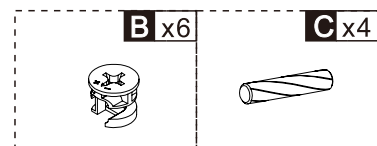
STEP 4



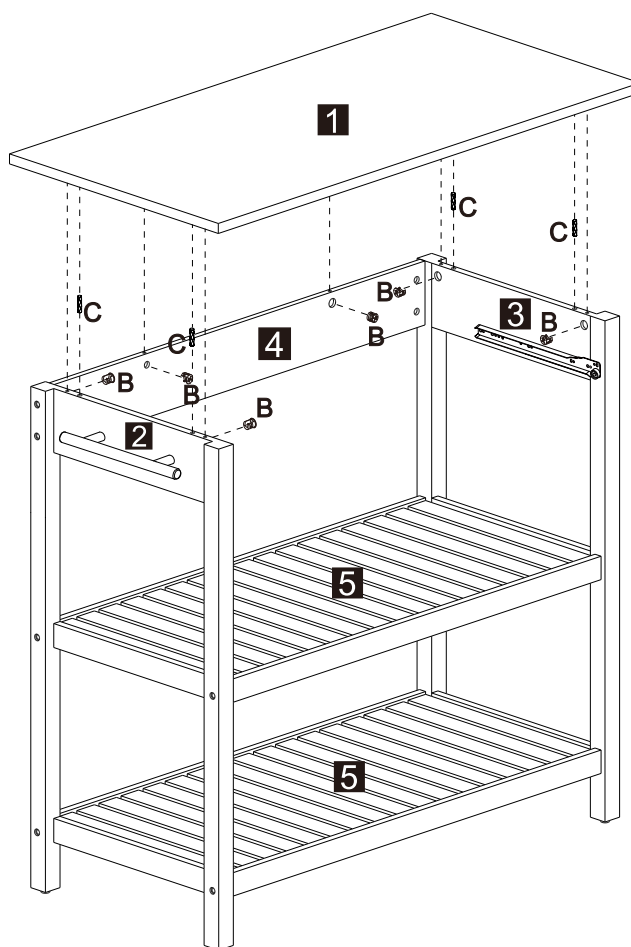
A. Lay Top Panel (1) bottom-side up on a material that does not scratch or damage the part and screw Cam-bolt (A) into the designated holes on (1) as shown.

B. Set the assembly from STEP 3 right-side up and use Screw (F) to affix Towel Handle (K) to Left Leg Frame (2)

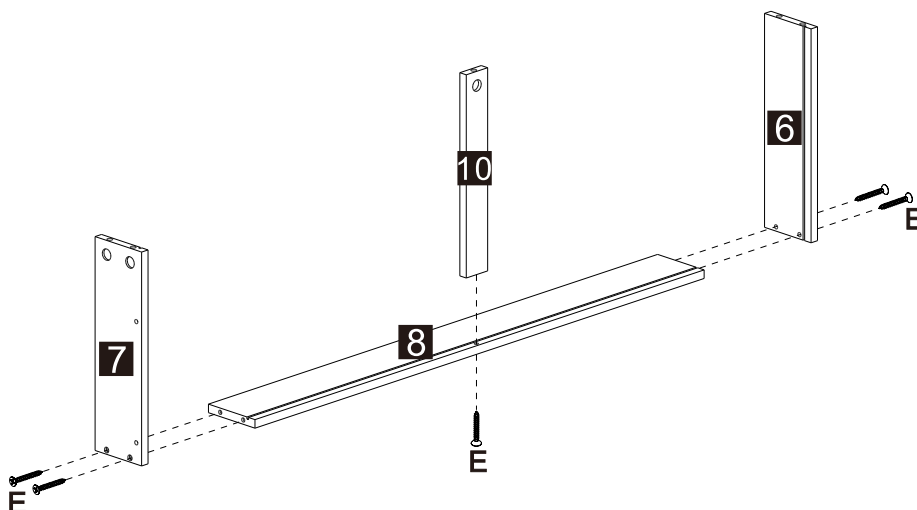
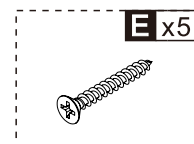
STEP 5



- A. Insert Wood Dowel (C) into the inner two holes on Left Leg Frame (2) and Right Leg Frame (3)
- B. Attach Top Panel (1) to (2, 3 & 4) via wood dowel and cam-bolt on the respective parts.
- C. Insert Cam-lock (B) into the designated holes on (2, 3 & 4) and turn clockwise to lock onto cam-bolt.

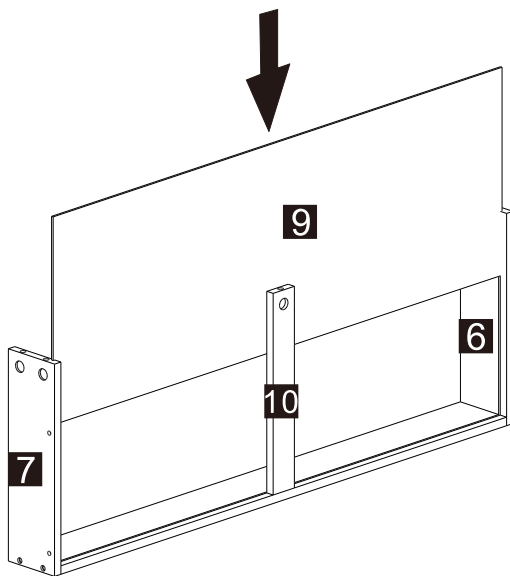


STEP 6

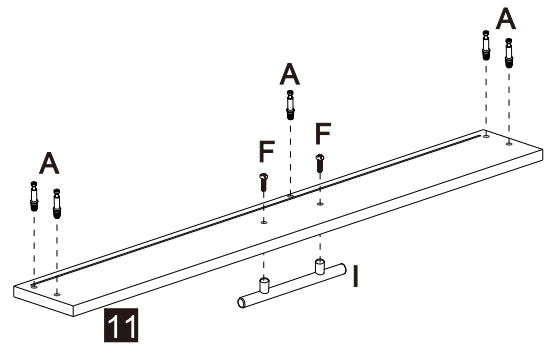
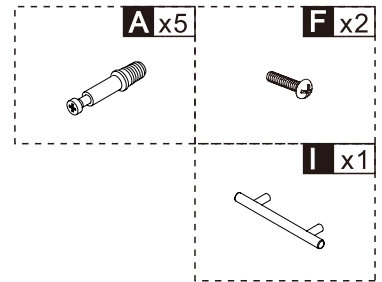


- A. **Fasten** Drawer Left & Right Panel (7 & 6) to Drawer Back Panel (8) as shown **with Screw (E)** - note the groove on each panel has to be aligned. Use Phillips screwdriver to **drive (E)**. Do not tighten screws completely until both screws are in place in each panel.
- B. Use Screw (E) to fasten Drawer Support (10) to (8).

STEP 7

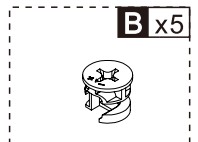
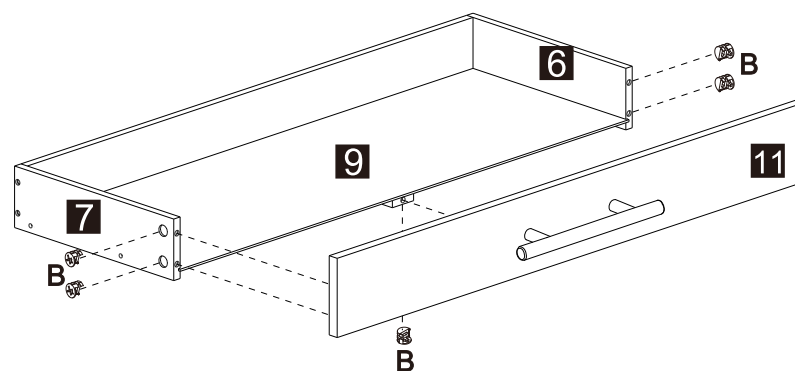


Fit Drawer Bottom Panel (9) via groove on Drawer Left & Right Panels (7 & 6) as shown. Check that the bottom edge of (9) fits into the groove on Drawer Back Panel (8).



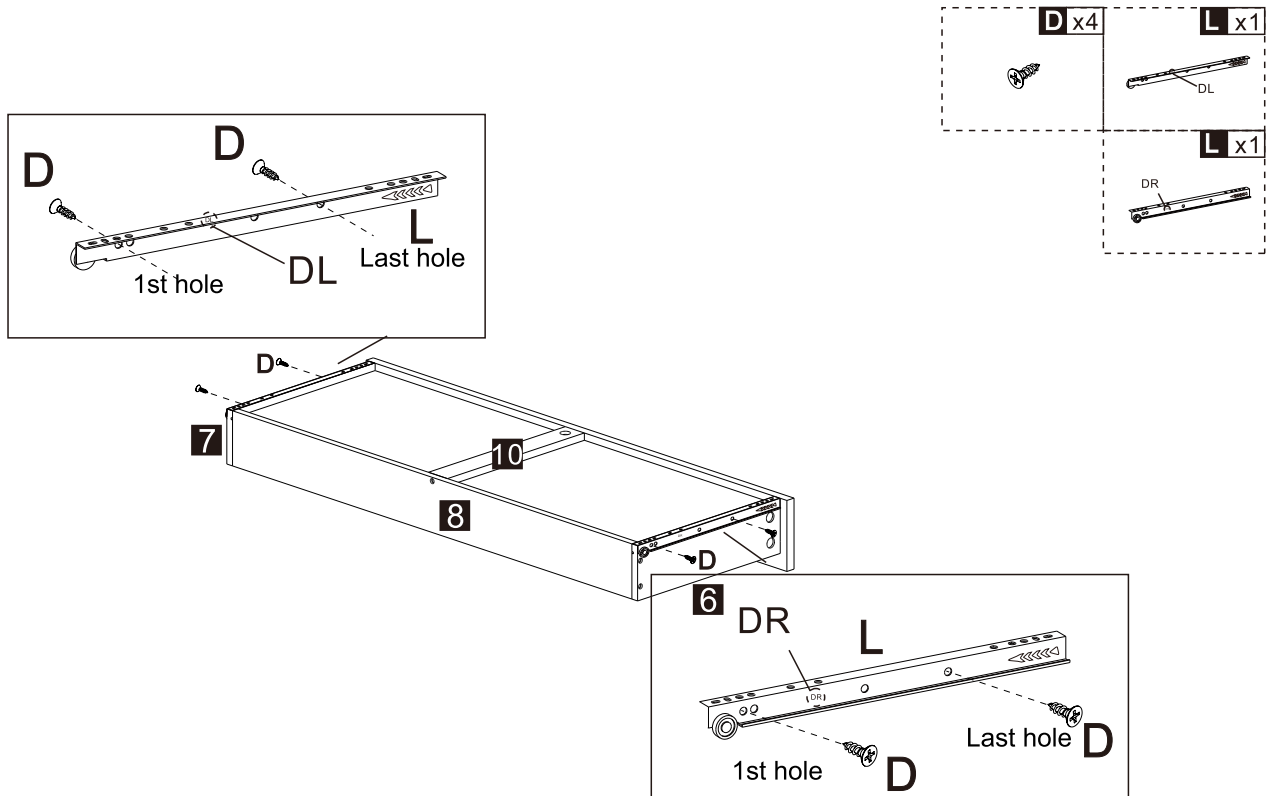
Screw in Cam-bolt (A) to into the designated holes on Drawer Front Panel (11) and use Screw (F) to affix Drawer Handle (I).

STEP 8



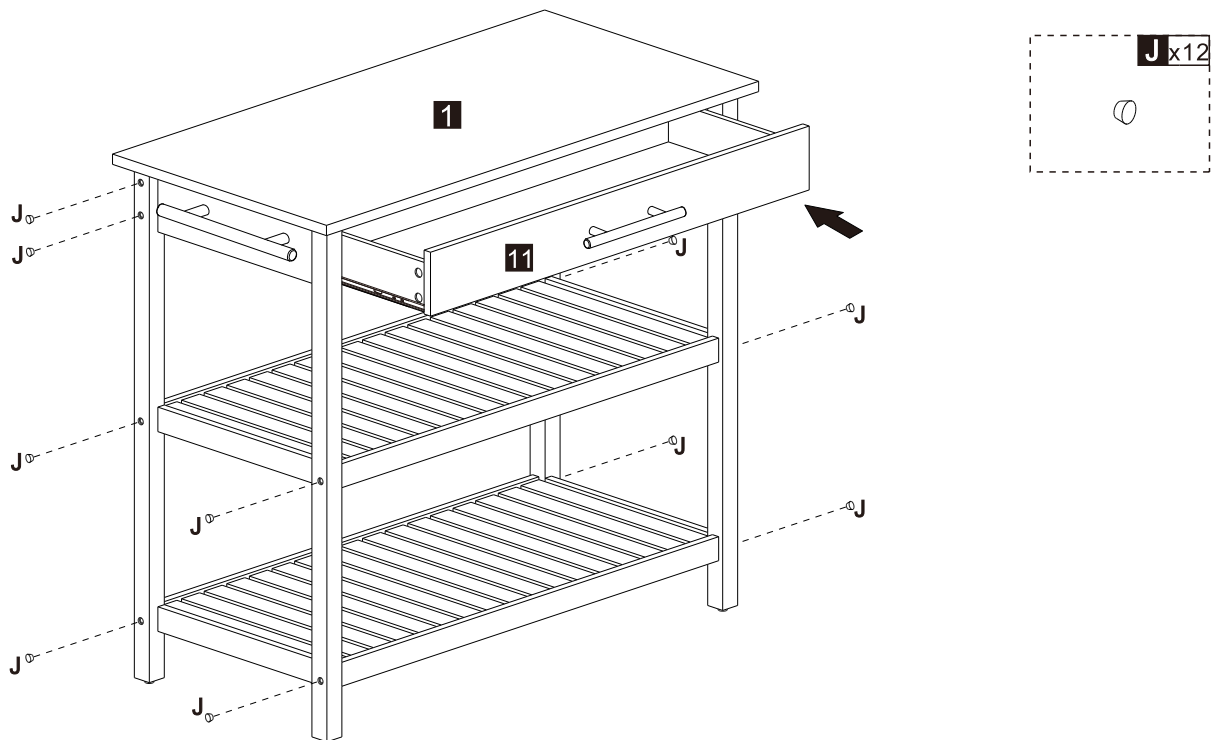
- A. Attach Drawer Front Panel (11) to Drawer Left Panel, Right Panel and Drawer Support (7, 6 & 10) via cam-bolts on (11).
- B. Insert Cam-lock (B) into designated hole on (6, 7 & 10) and turn clockwise to lock onto cam-bolt.

STEP 9



- Set the drawer assembly from STEP 18 with the bottom-side facing up on a material that does not scratch or damage the drawer.
- Position the Slide Runner (DL & DR) of Drawer Slide (L) as shown and use Screw (D) to fasten (DL) and (DR) to the drawer side panel at the designated "1st " and "Last" hole.

STEP 10



A. Insert the Drawers:

Position roller on Drawer Runner (on drawer side panel) to be above the roller on Drawer Track (on the Left & Right Divide Panel), and slide roller on Drawer Runner into the rail on the Drawer Track. Next, push in drawer squarely and gently to allow Drawer Runner to slide into Drawer Track.

B. Use Screw Cover (J) to conceal screw holes and screw.

The assembly of the kitchen cart is complete.