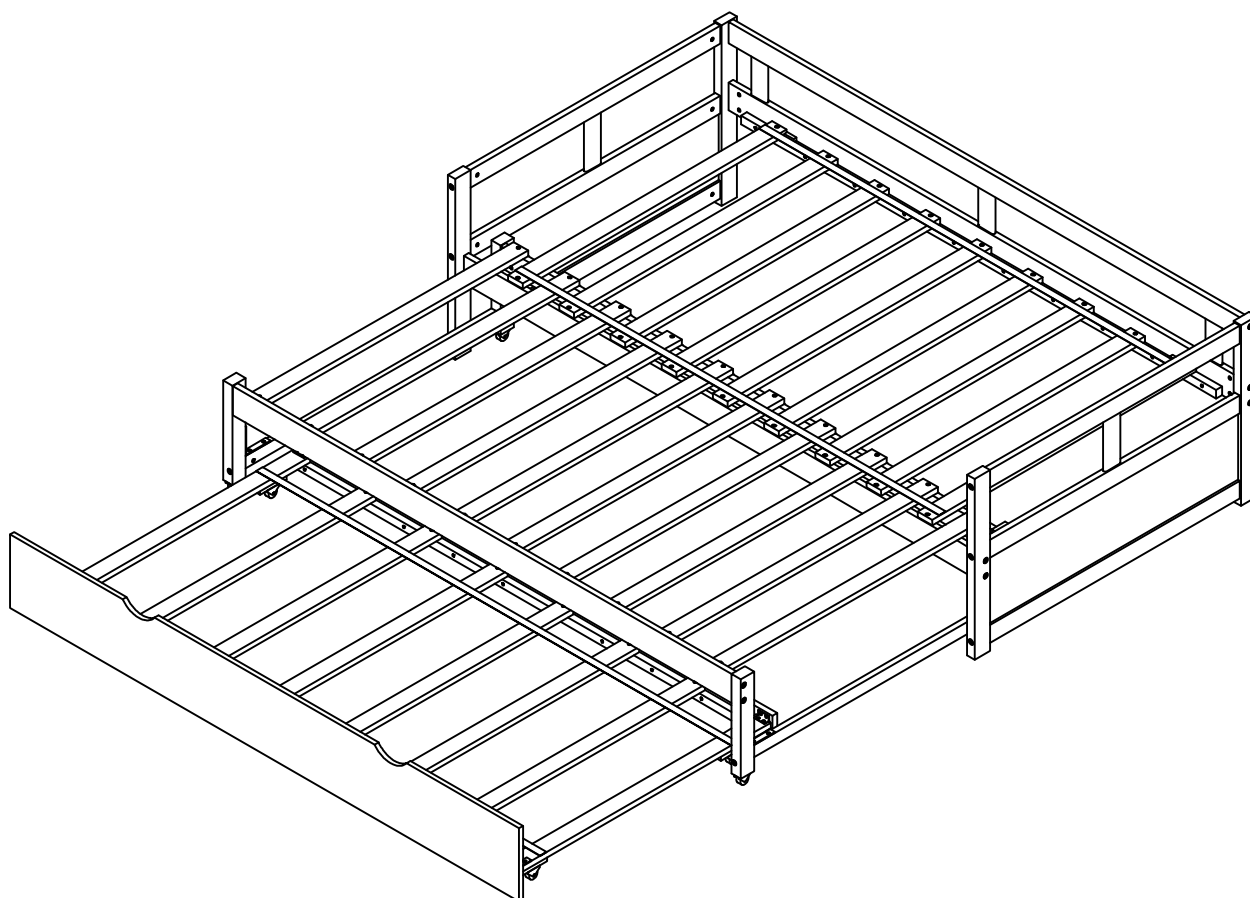
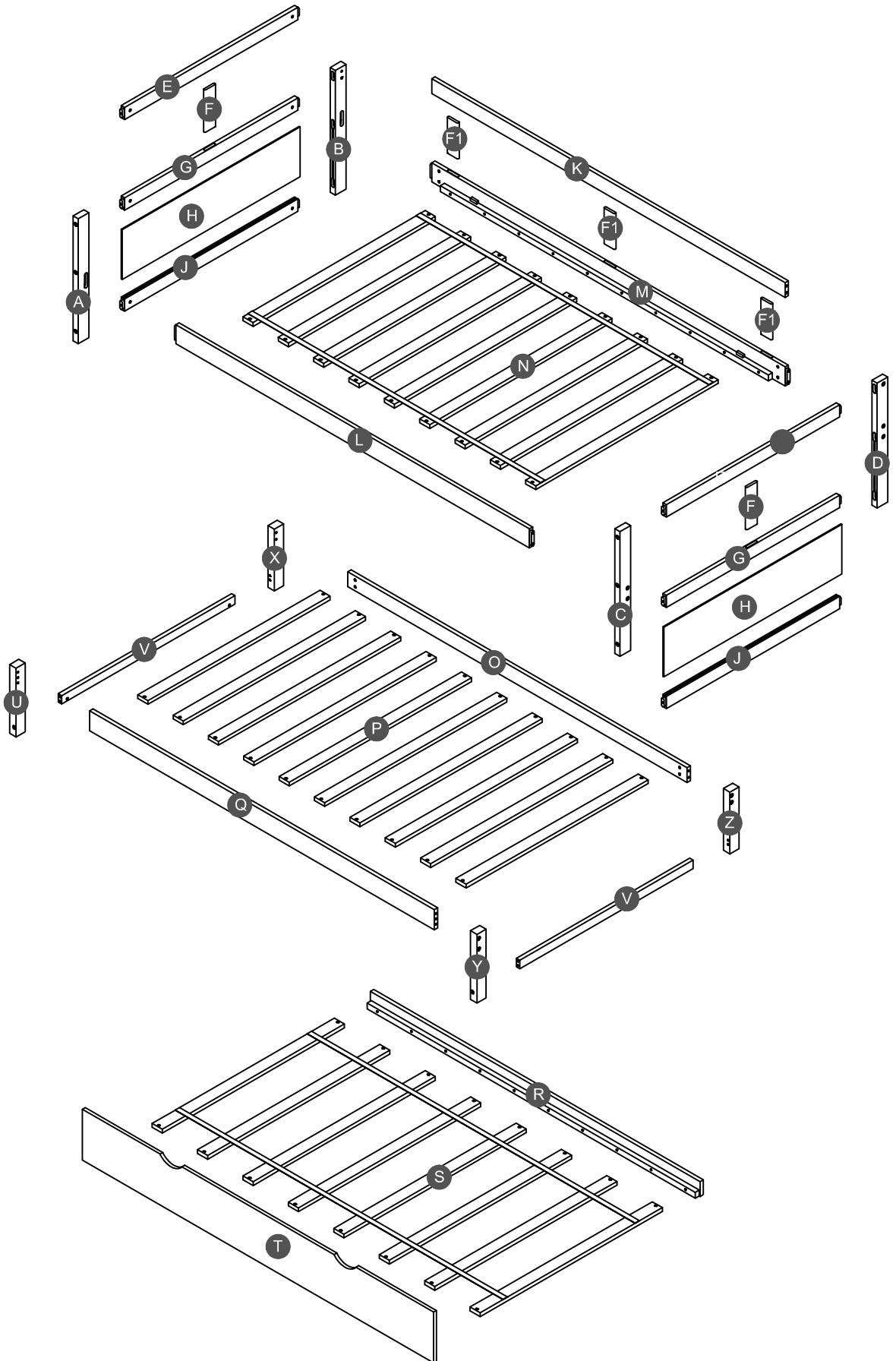


ASSEMBLY INSTRUCTIONS

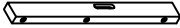

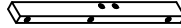

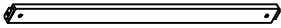
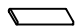
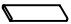
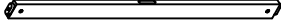
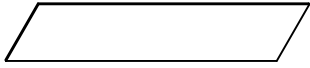

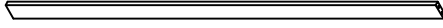
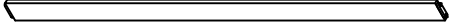

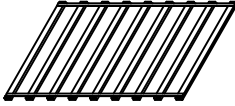
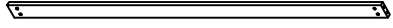
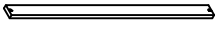
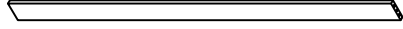

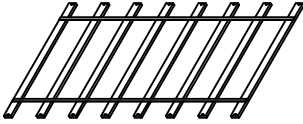

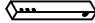

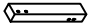
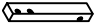
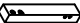
DAY BED WITH TRUNDLE



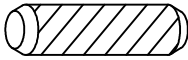
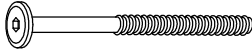
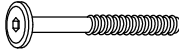
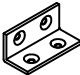

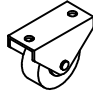


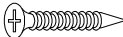
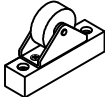



Detail View



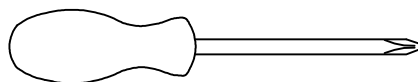
Part List

A  Leg HB (Left)- 1pc	B  Leg HB (Right)- 1pc	C  Leg FB (Right)- 1pc
D  Leg FB (Left)- 1pc	E  Upper horizonta (HB&FB) - 2pcs	F  Center panel - 2pcs
F1  Center panel - 3pcs	G  Center horizonta (HB & FB)- 2pcs	H  Side panel (HB & FB)- 2pcs
J  Bottom horizonta (HB & FB)- 2pcs	K  Horizonta(back)- 1pc	L  Side rail (Front)- 1pc
M  Side rail (Back)- 1pc	N  Slat - 1set (9pcs)	O  Back side rail panel -1pc
P  Slat -10pcs	Q  Front side rail panel -1pc	R  Back panel side rail of trundle - 1pc
S  Trundle slat -1set (8pcs)	T  Front panel of trundle - 1pc	U  Front leg left - 1pc
V  Horizonta side (L/R) - 2pcs	X  Back leg left - 1pc	Y  Front leg Right - 1pc
Z  Back leg Right - 1pc		

Hardware List

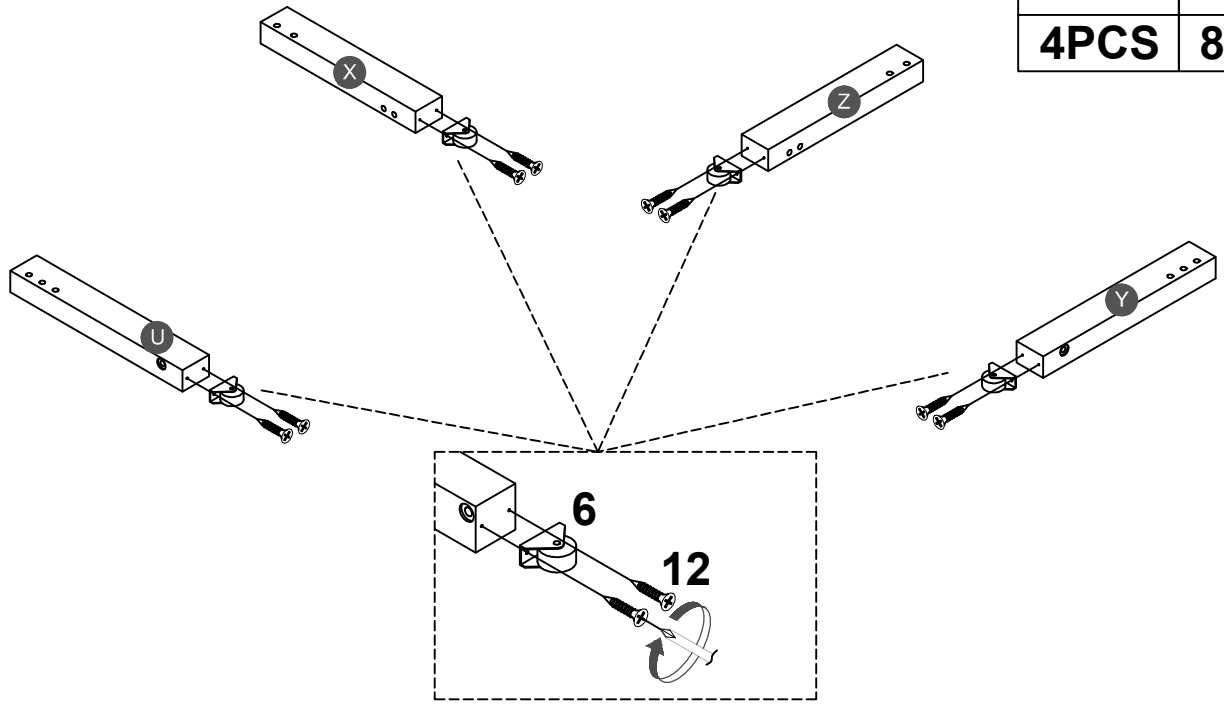
1  Ø10*40mm Wood dowel (2pcs)	2  (Ø15)1/4"*100mm Hex-Head bolts (16pcs)	3  (Ø15)1/4"*80mm Hex-Head bolts (18pcs)
4  40*18*18*2mm Metal bracket (2pcs)	5  Ø8*30mm Wood dowel (6pcs)	6  45*20*35 mm Wheels (4pcs)
7  (1/4")4.5*58mm Allen key (1pc)	8  1/4"*15 (9.5mm) Horizontal-Hole bolts(34pcs)	9  Ø4*30mm Wood screws (66pcs)
10  100*65*20mm Wheels (4pcs)	11  95*95*18*3mm Metal bracket (4pcs)	12  Ø3.5*15mm Wood screws (32pcs)
13  70*35*19 mm Wood support drawer (2pcs)		

ASSEMBLY TOOLS REQUIRED (NOT INCLUDED)

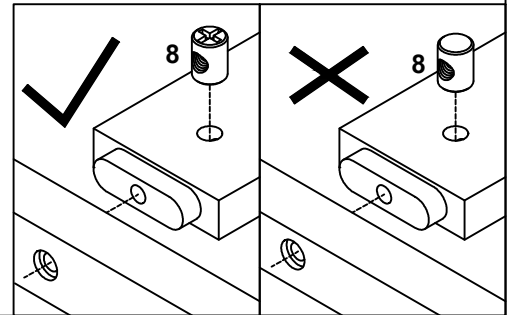
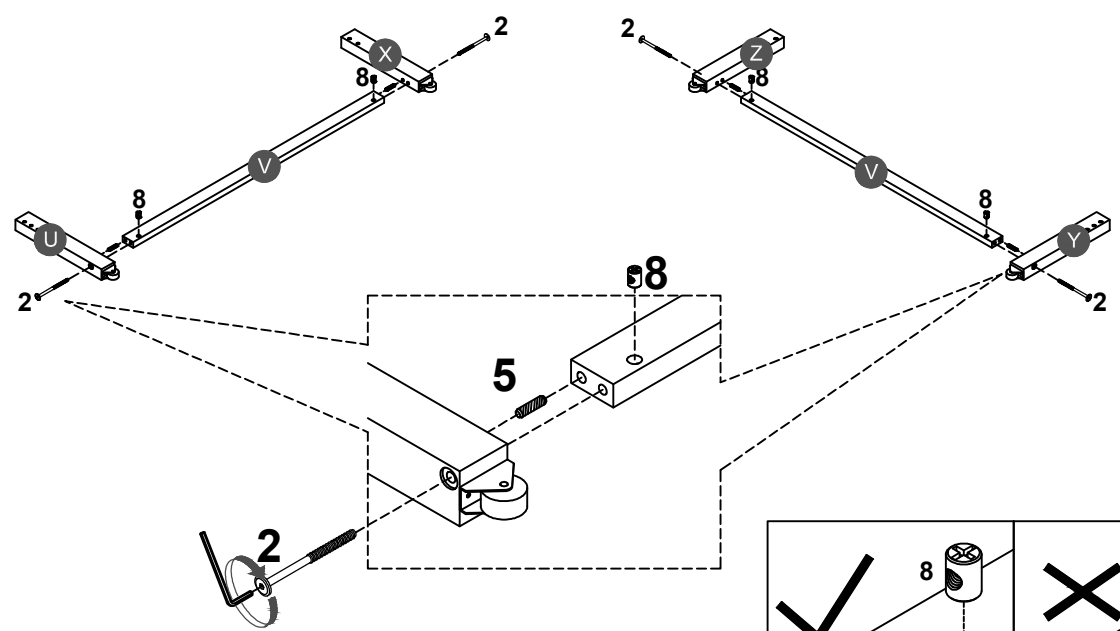


PLEASE BE CAREFUL DO NOT DAMAGE THE HOLE POSITION WHEN YOU USE POWER TOOLS !

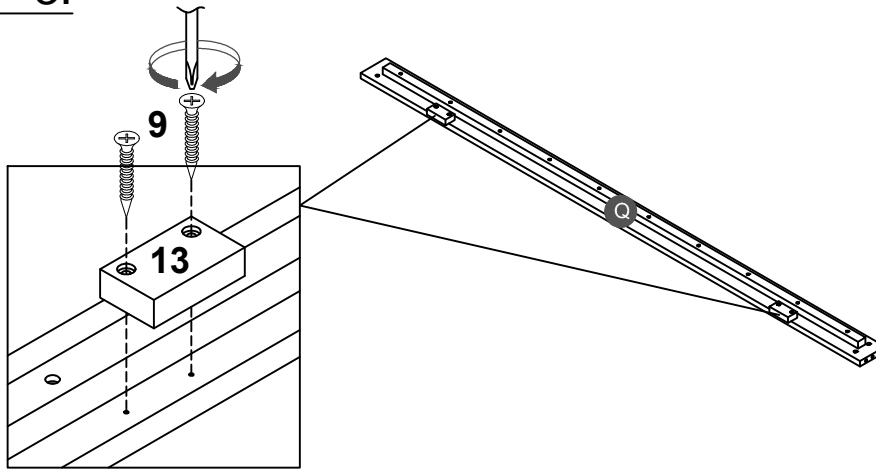
STEP 1:


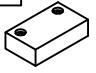


STEP 2:

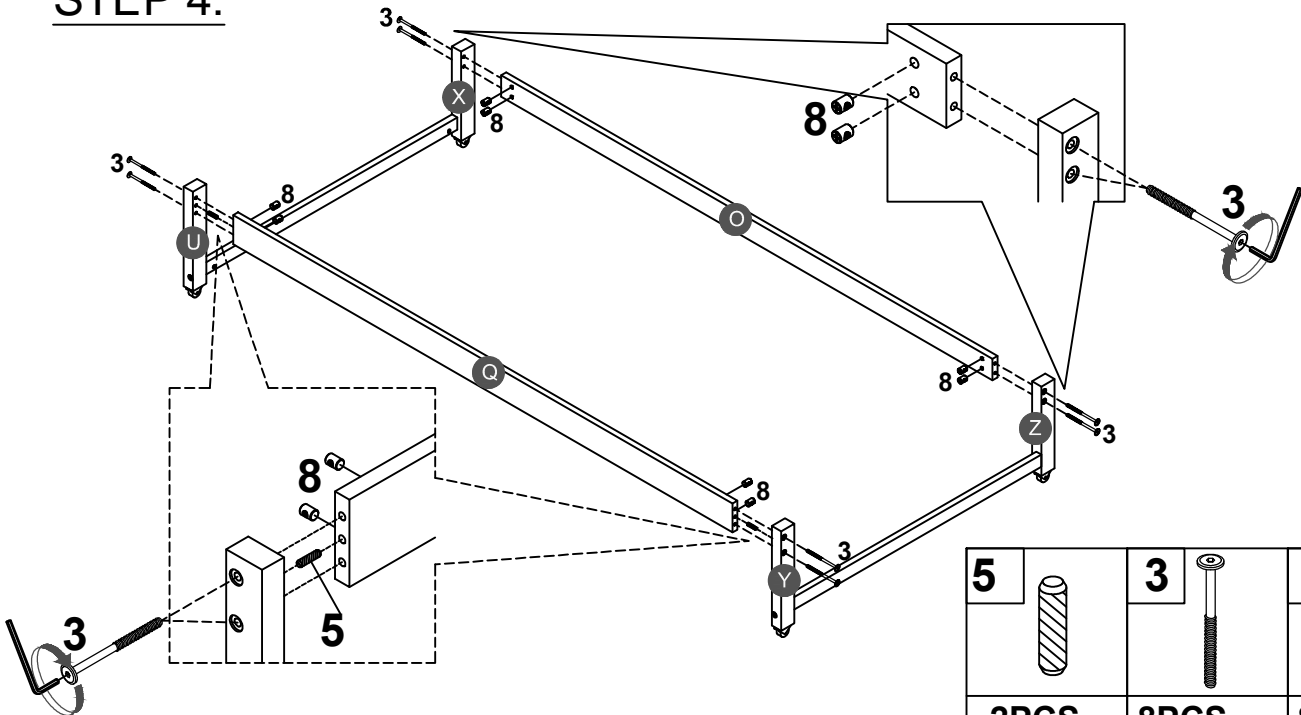





STEP 3:



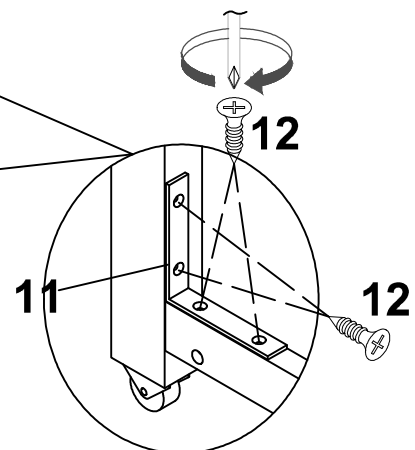
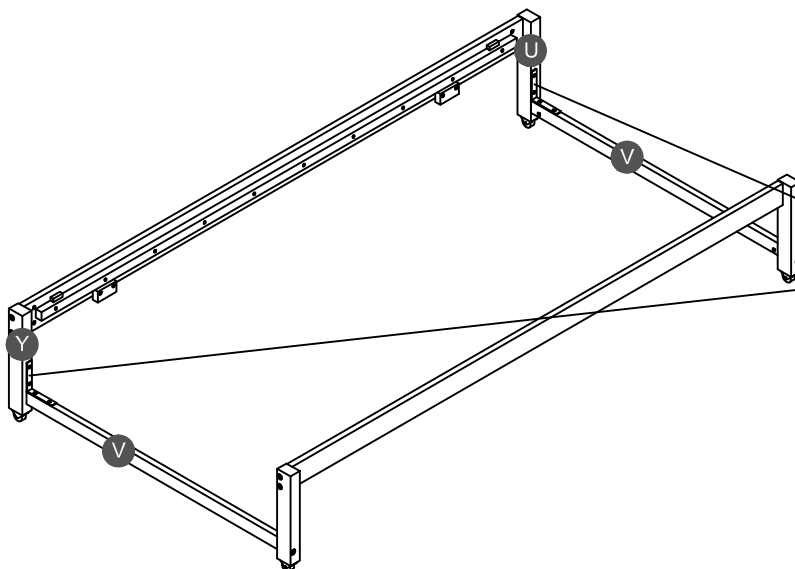
9		13	
4PCS		2PCS	



STEP 4:



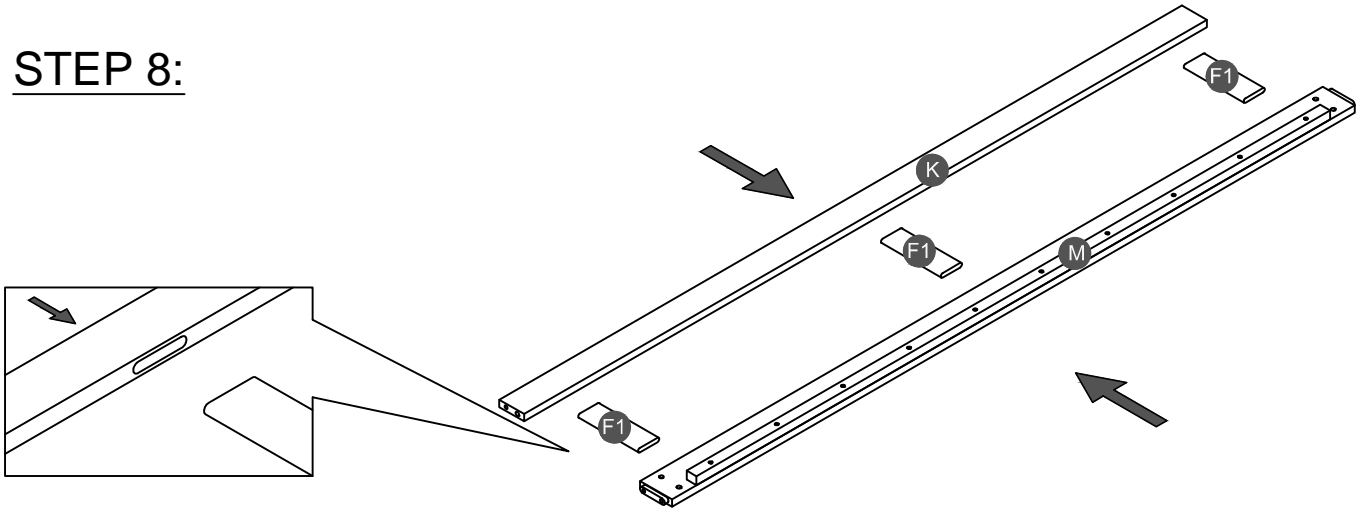
5		3		8	
2PCS		8PCS		8PCS	

STEP 5:






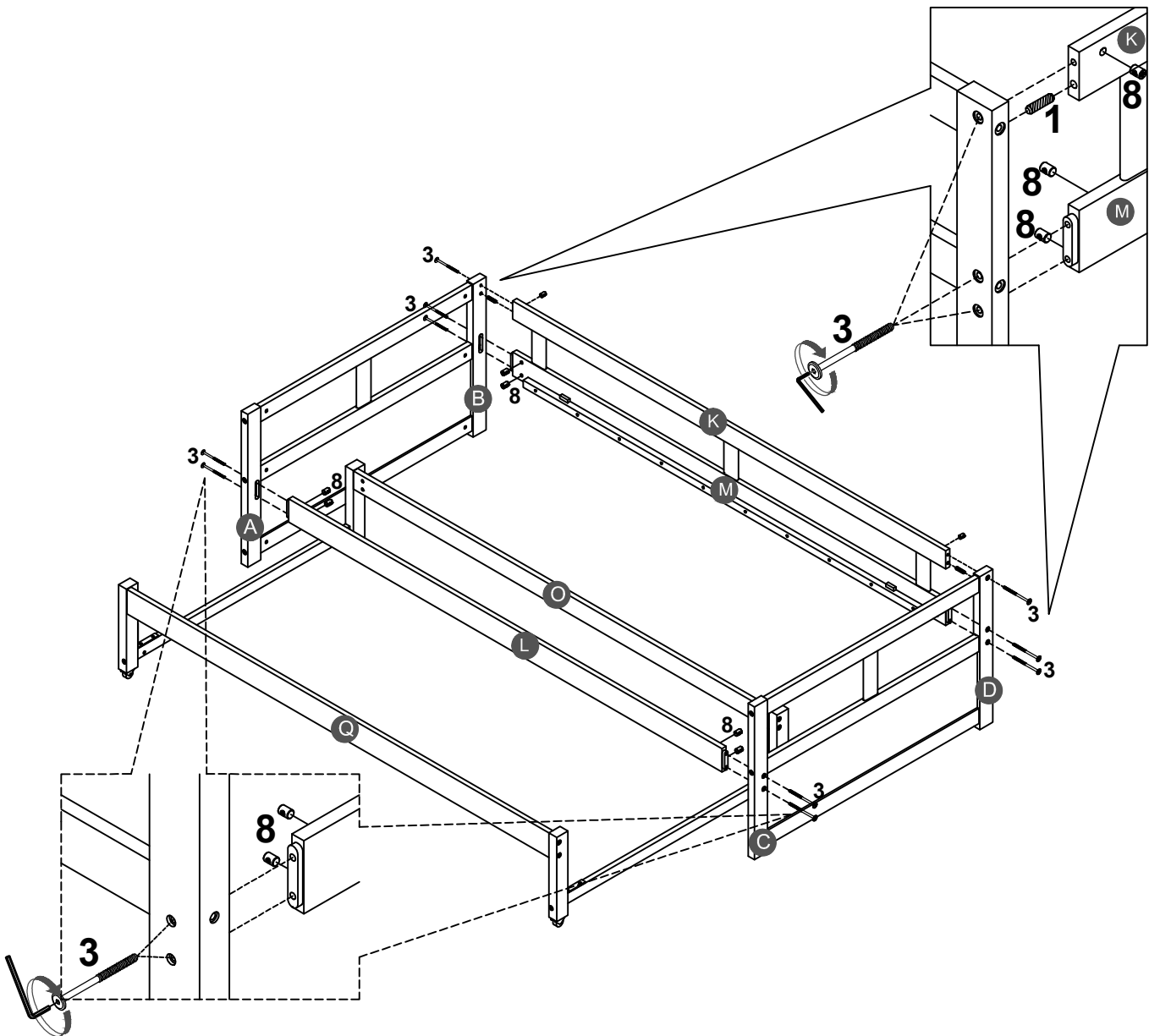
11		12	
2PCS		8PCS	

STEP 8:



STEP 9:

1		3		8	
	2PCS		10PCS		10PCS

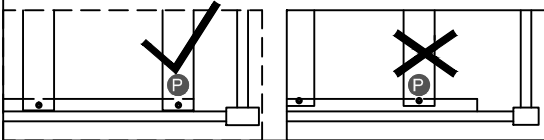
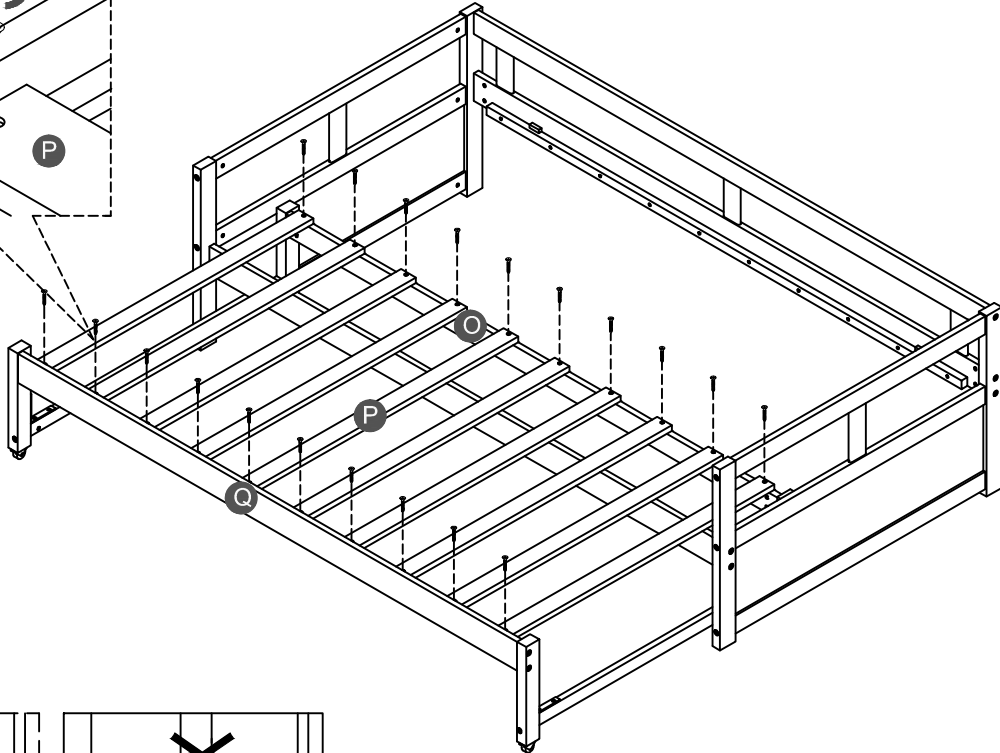
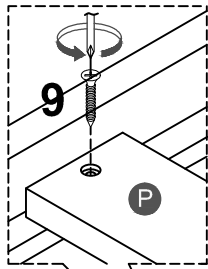


STEP 10:

9



20PCS

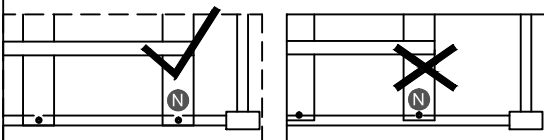
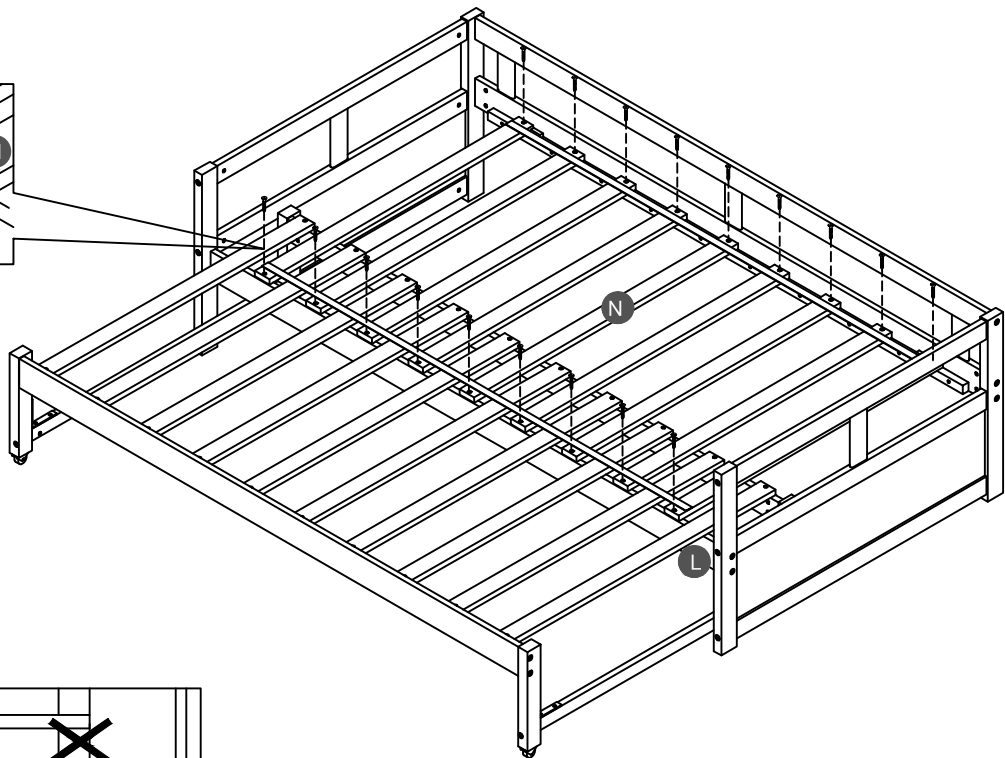
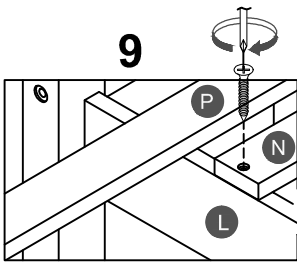


STEP 11:

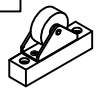

9

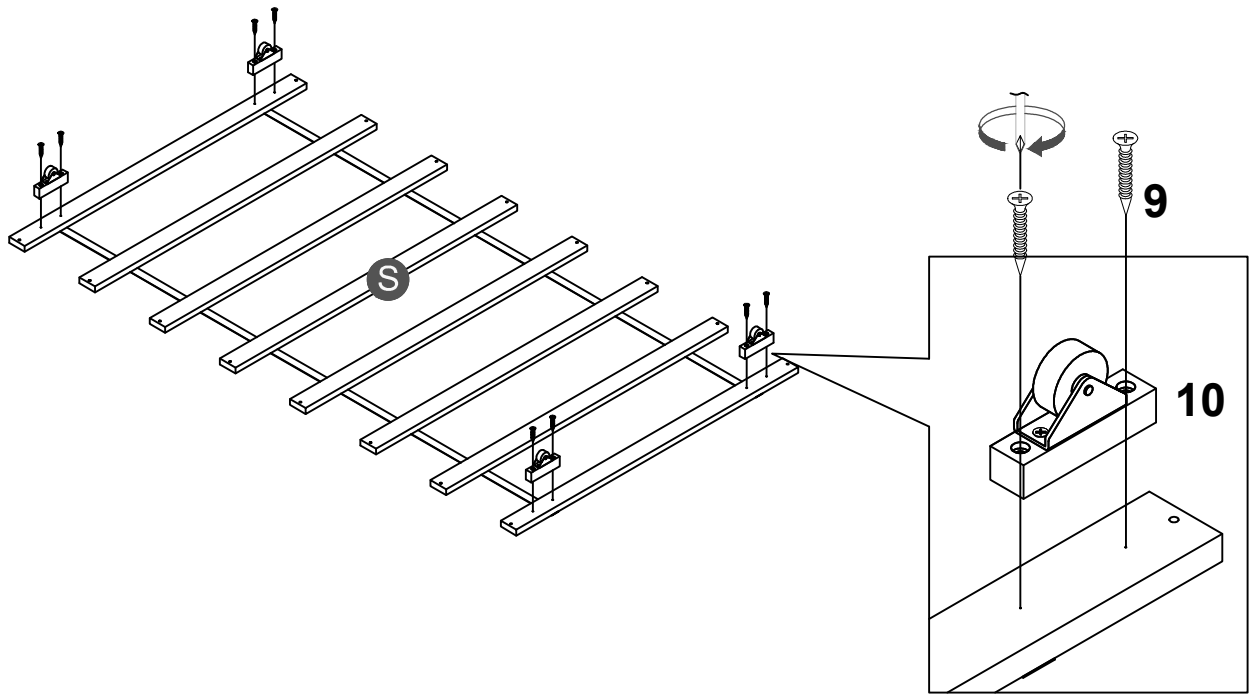


18PCS




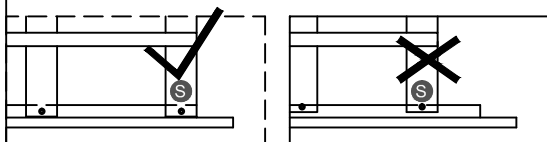
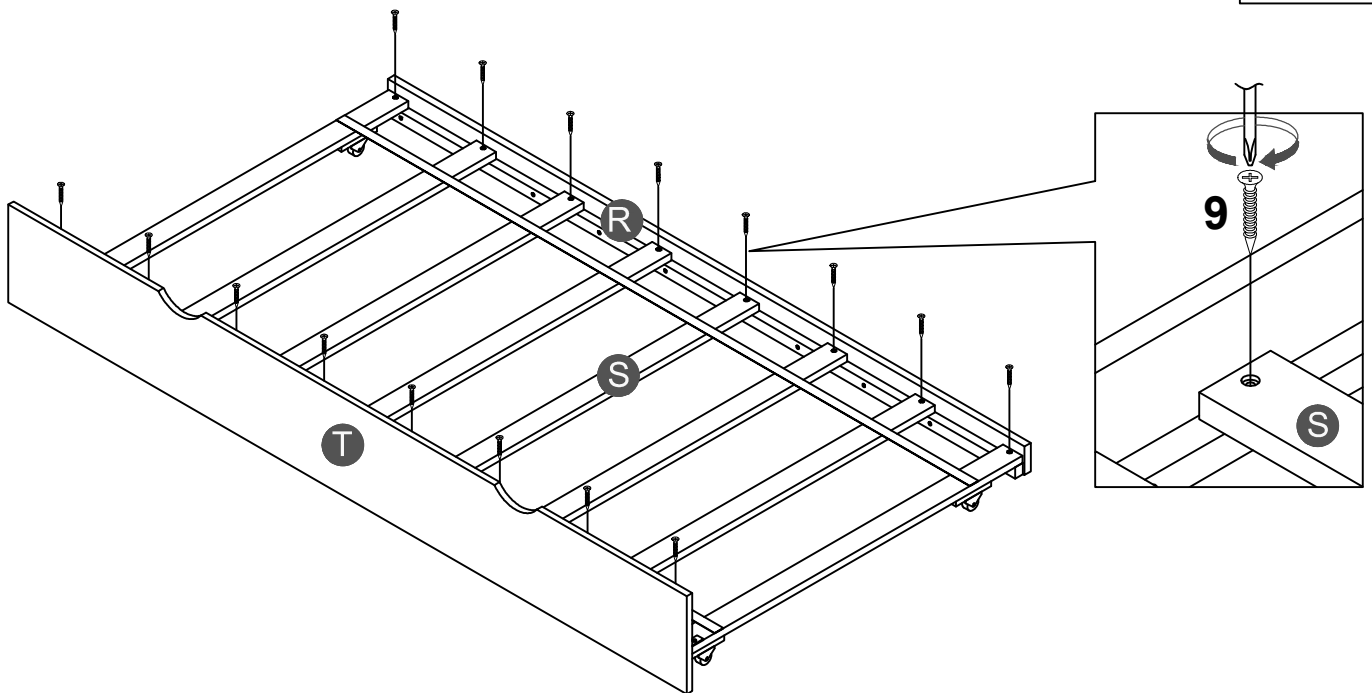
STEP 12:

10 	9 
4PCS	8PCS





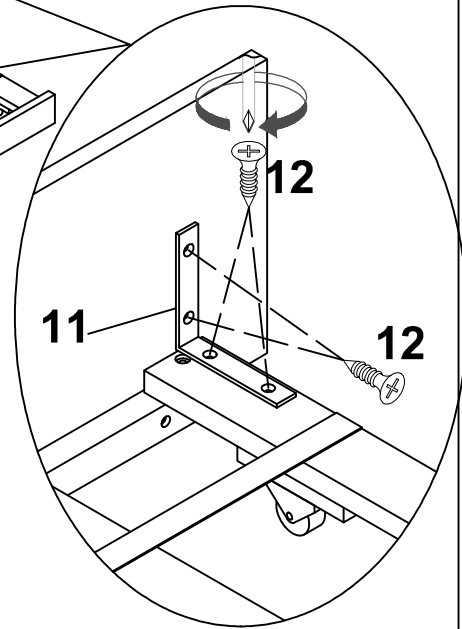
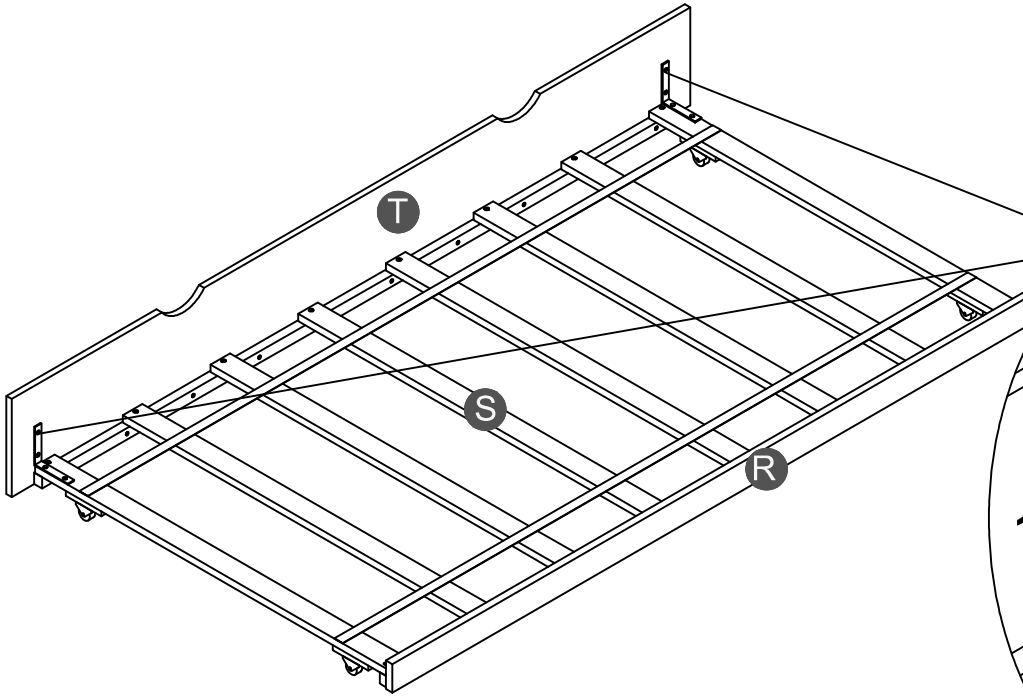
STEP 13:

9 
16PCS

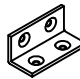
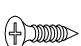


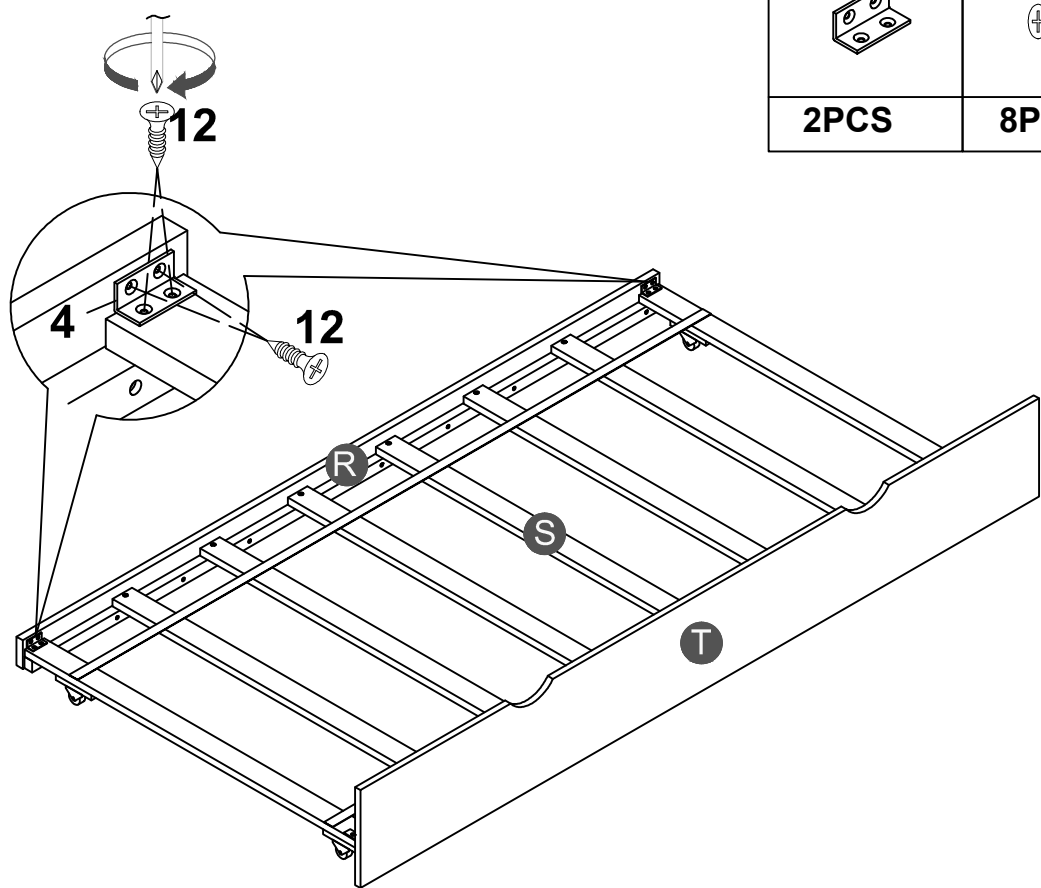
STEP 14:

11	12
	
2PCS	8PCS

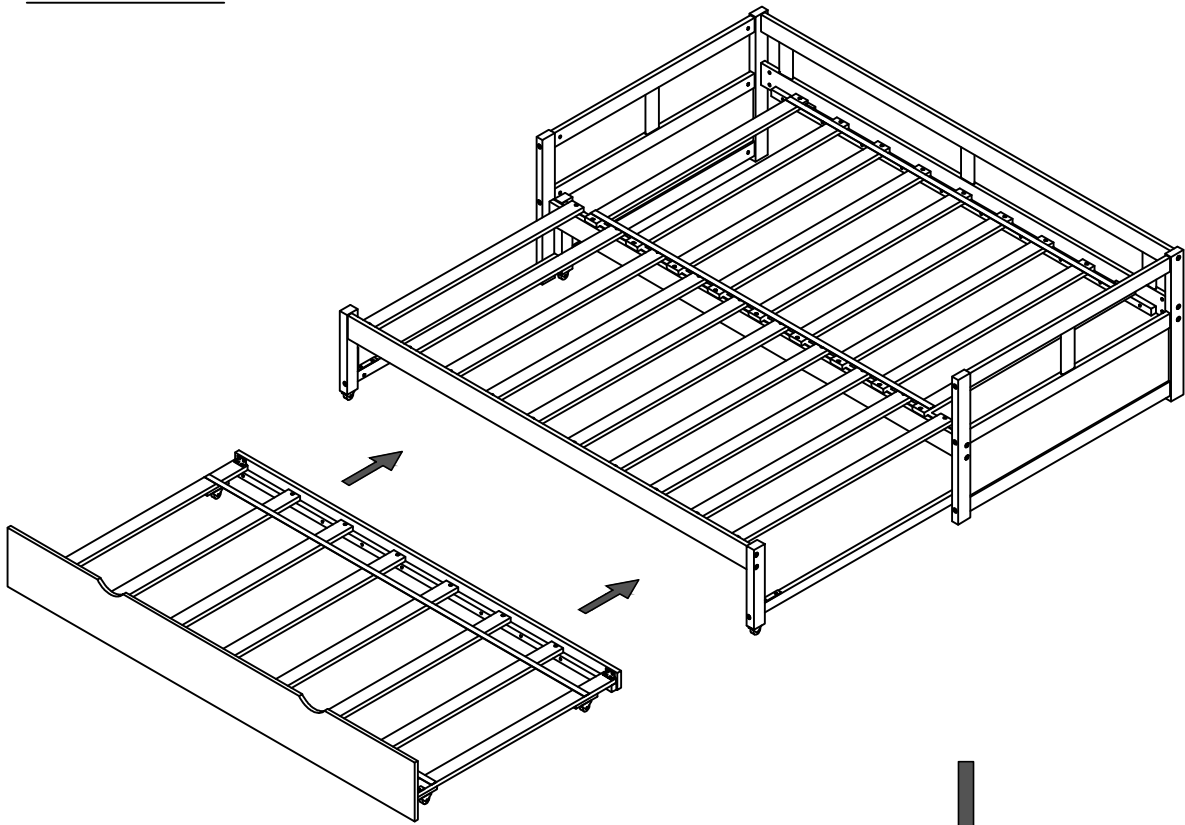


STEP 15:

4	12
	
2PCS	8PCS



STEP 16:



Push Trundle under the bottom of Day Bed.

