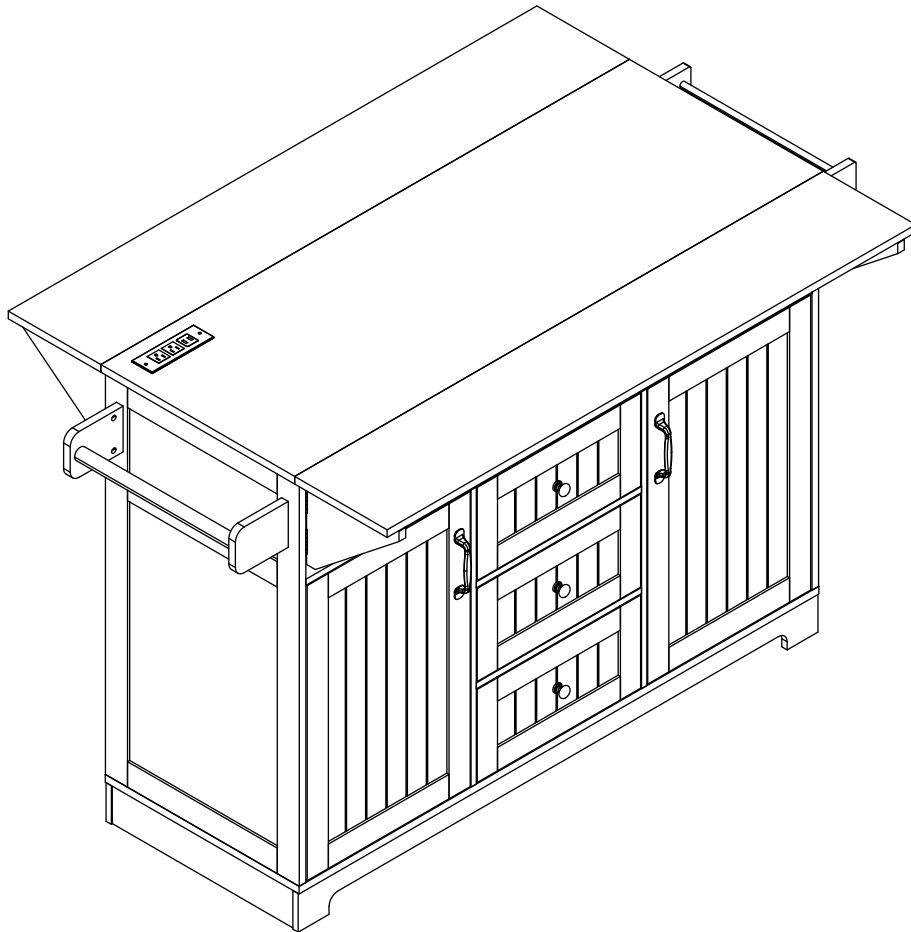


Kitchen Island Carts

Assembly Instructions - Please keep for future reference



Dimensions

Width-53.9inch

Depth-17.7inch+8.1inch+8.1inch

Height-35.8inch

Important – Please read these instructions fully before starting assembly



Safety and Care Advice

Important – Please read these instructions fully before starting assembly

- Check you have all the components and tools listed on the following pages.
- Remove all fittings from the plastic bags and separate them into their groups.
- Keep children and animals away from the work area, small parts could choke if swallowed.
- Make sure you have enough space to layout the parts before starting.

- During assembly do not stand or put weight on the product, this could cause damage.
- Assemble the item as close to its final position (in the same room) as possible.
- Assemble on a soft level surface to avoid damaging the unit or your floor.
- Parts of the assembly will be easier with 2 people.



power drill is set on a low torque setting.

- To reduce the likelihood of damaging your product please ensure that your

Care and maintenance

- Only clean using a damp cloth and mild detergent, do not use bleach or abrasive cleaners.

- From time to time check that there are no loose screws on this unit.

- This product should not be discarded with household waste. Take to your local authority waste disposal centre.

Handy Hints

- Assemble all parts and bolts loosely during assembly, only once the product is complete should you fully tighten the bolts

- Regularly check and ensure That all bolts and fittings are tightened properly.

WARNING In order to help prevent overturning – please follow these instructions

To help prevent product toppling over please follow the below steps:-

Use the anti tip strap or wall fixing method provided (if applicable)
Do not allow children to climb or hang on the furniture
Do not open more than one drawer at a time
Do not place heavy items in the top drawers
Do not place heavy items on top of the furniture, unless the furniture has been designed for this purpose



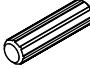

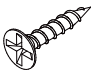
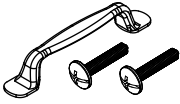

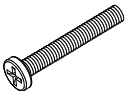

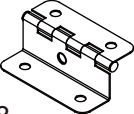
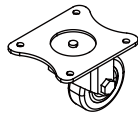
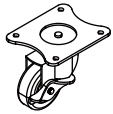
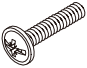
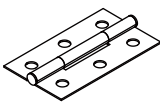


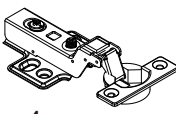
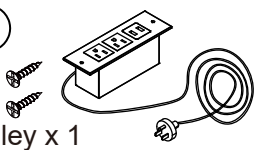


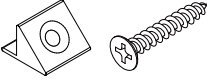
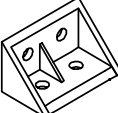
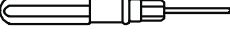
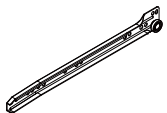

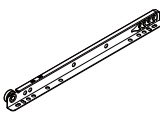
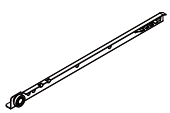
Please note that only the anti tip strap is provided.

You will need to provide wall plugs and screws applicable for your wall type

Components - Fittings

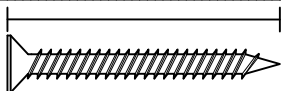
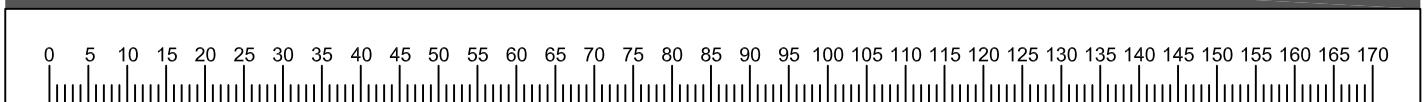
Please check you have all the panels listed below

Note: The quantities below are the correct amount to complete the assembly. In some cases more fittings may be supplied than are required.

 (A) Cam Bolt x 40	 (B) Cam lock x 40	 (C) 6*40mm Dowel x 40	 (D) 3.5*30mm Screw x 12
 (E) 3*12mm Screw x 140	 (F) Hold hands x 2	 (G) 7x40mm Screw x 10	 (H) 6*45mm Screw x 8
 (I) Cross nut x 8	 (J) hinge x 8	 (K) Caster x 3	 (L) Locking caster x 2
 (M) 6*25mm Screw x 20	 (N) hinge x 6	 (O) Pivot x 8	 (P) Hold hands x 3
 (Q) 26mm x 4	 (R) Pulley x 1	 (S) Pressure ball x 4	 (T) Allen Wrench x 1
 (V) Back plate buckle x 12 3*16mm Screw x 12	 (W) Angle iron x 4	 x 1	
 (CR) Runner 300mm x 3	 (CL) Runner 300mm x 3	 (DR) Runner 300mm x 3	 (DL) Runner 300mm x 3

Tools required

Ruler - Use this ruler to help correctly identify the screws



The screws length is measured from the head to the point (35mm screw shown).

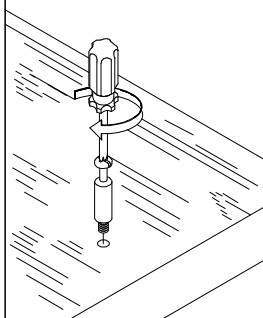
Using Camlocks

Step 1

Connect the male camlock as directed in the assembly instructions using a screwdriver.

1

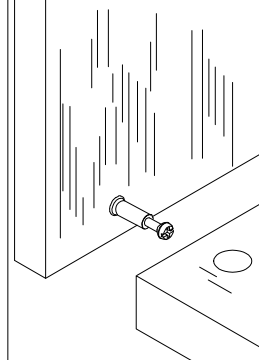
DO NOT OVER TIGHTEN.
NE PAS SERRER EXCESSIVEMENT.



Step 2

Push the male camlock into the entry hole.

2

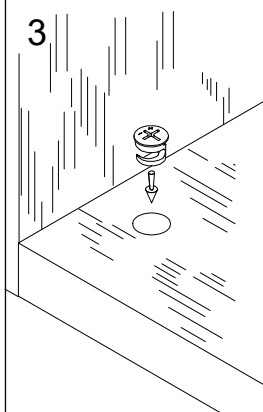


Step 3

Insert the female camlock as shown in the instruction.

Note: ensure that the arrow on the top of the camlock points towards the entry hole for the male camlock.

3



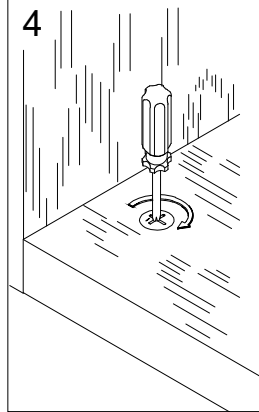
Step 4

Turn the female camlock clockwise with a screwdriver.

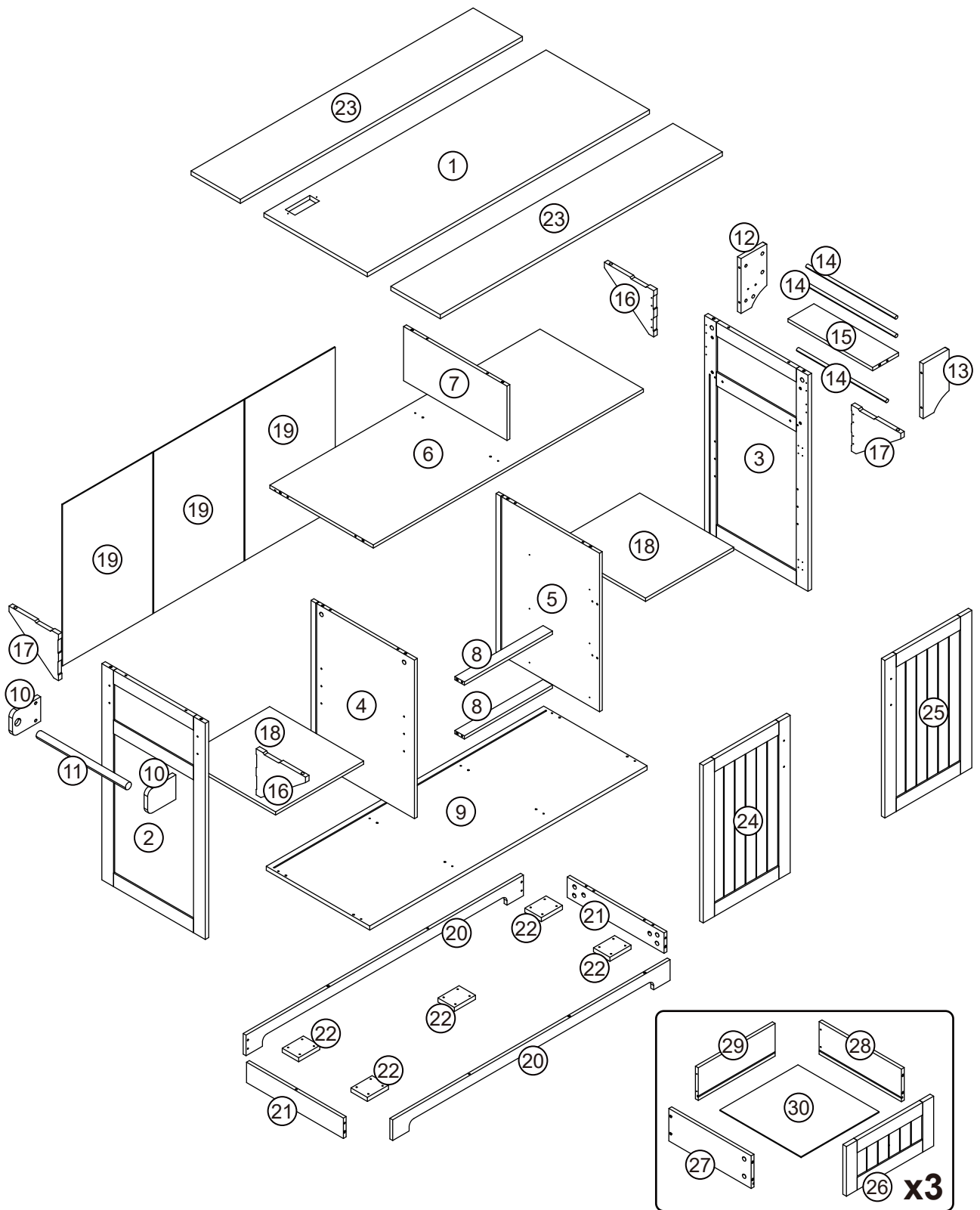
You should feel a click when the camlock is locked in place.

The joint is now secure.

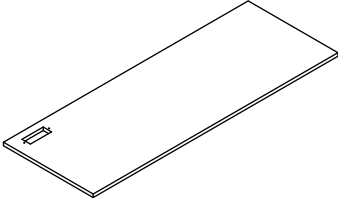
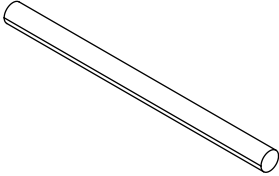
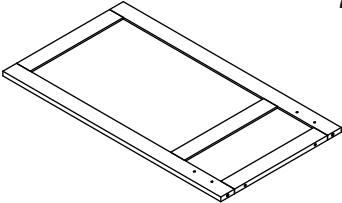
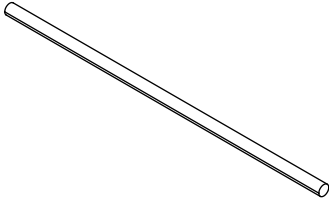
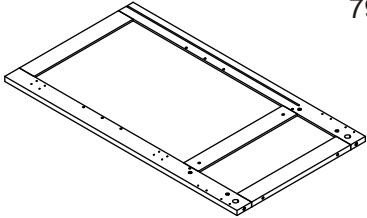
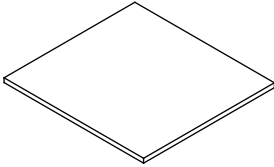
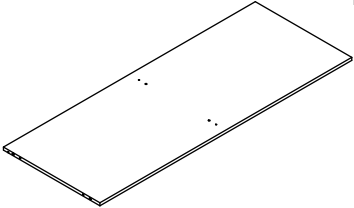
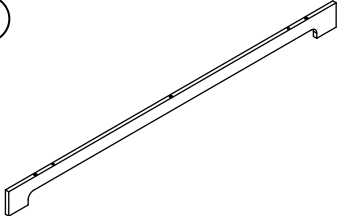
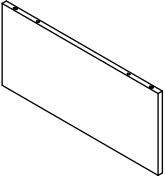
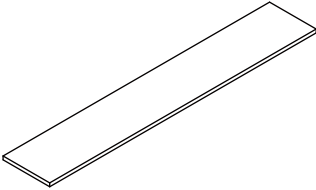
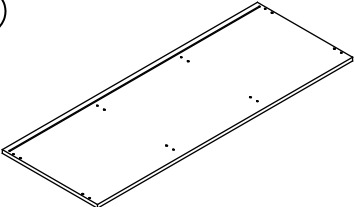
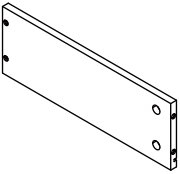
4



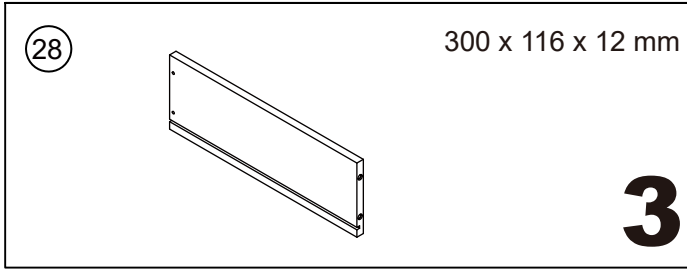
Assembly Instructions

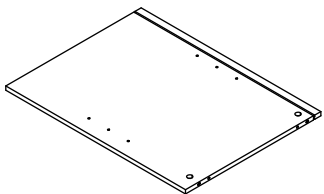

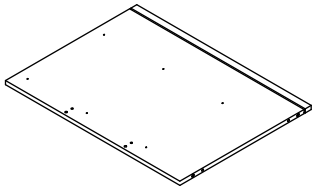
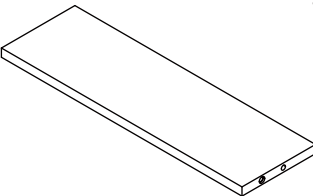
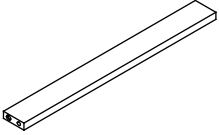
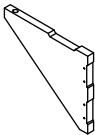
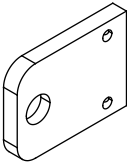
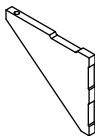
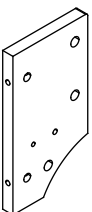
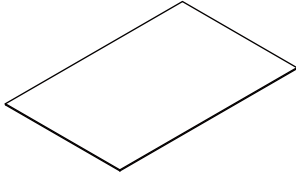


Assembly Instructions

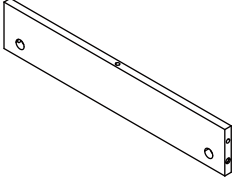
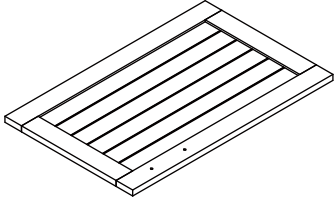
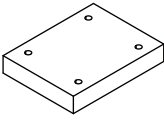
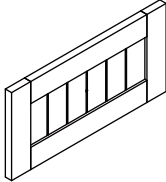
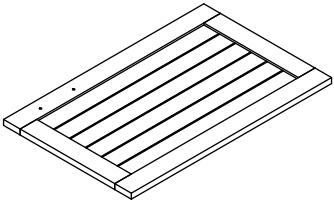
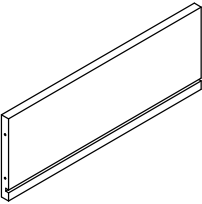
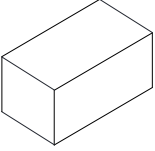
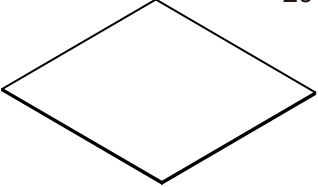
<p>①</p>  <p>1200 x 440 x 15 mm</p> <p>1</p>	<p>⑪</p>  <p>383 x 25 x 25 mm</p> <p>1</p>
<p>②</p>  <p>798 x 440 x 15 mm</p> <p>1</p>	<p>⑭</p>  <p>383 x 12 x 12 mm</p> <p>3</p>
<p>③</p>  <p>798 x 440 x 15 mm</p> <p>1</p>	<p>⑱</p>  <p>373 x 375 x 12 mm</p> <p>2</p>
<p>⑥</p>  <p>1150 x 440 x 12 mm</p> <p>1</p>	<p>⑳</p>  <p>1180 x 76 x 12 mm</p> <p>2</p>
<p>⑦</p>  <p>440 x 200 x 12 mm</p> <p>1</p>	<p>㉓</p>  <p>1200 x 200 x 15 mm</p> <p>2</p>
<p>⑨</p>  <p>1180 x 440 x 15 mm</p> <p>1</p>	<p>㉗</p>  <p>300 x 116 x 12 mm</p> <p>3</p>

Assembly Instructions



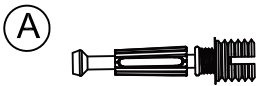
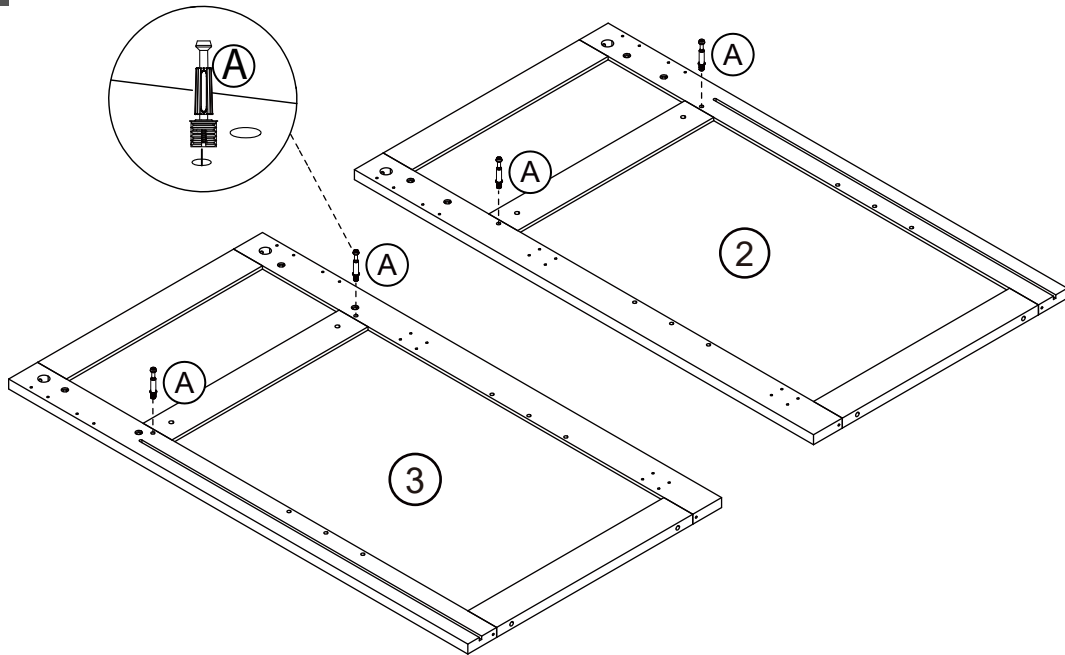
<p>4</p> <p>583 x 440 x 15 mm</p>  <p>1</p>	<p>13</p> <p>200 x 110 x 15 mm</p>  <p>1</p>
<p>5</p> <p>583 x 440 x 15 mm</p>  <p>1</p>	<p>15</p> <p>363 x 110 x 12 mm</p>  <p>1</p>
<p>8</p> <p>375 x 40 x 12 mm</p>  <p>2</p>	<p>16</p> <p>198 x 170 x 15 mm</p>  <p>2</p>
<p>10</p> <p>120 x 90 x 15 mm</p>  <p>2</p>	<p>17</p> <p>198 x 170 x 15 mm</p>  <p>2</p>
<p>12</p> <p>202 x 110 x 15 mm</p>  <p>1</p>	<p>19</p> <p>590 x 380 x 4 mm</p>  <p>3</p>

Assembly Instructions

<p>(21)  406 x 76 x 15 mm</p> <p>2</p>	<p>(25)  578 x 370 x 15 mm</p> <p>1</p>
<p>(22)  94 x 80 x 15 mm</p> <p>5</p>	<p>(26)  370 x 182 x 15 mm</p> <p>3</p>
<p>(24)  578 x 370 x 12 mm</p> <p>1</p>	<p>(29)  325 x 116 x 12 mm</p> <p>3</p>
<p> Hardware kid x1</p> <p>1</p>	<p>(30)  294 x 332 x 4 mm</p> <p>3</p>

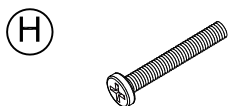
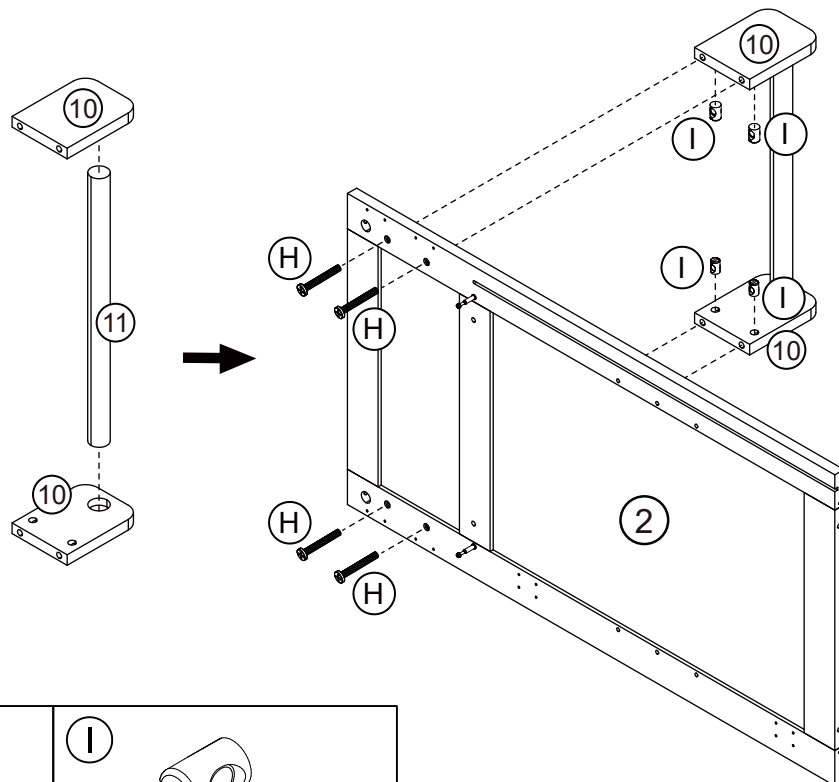
Assembly Instructions

Step 1



Cam Bolt x 4

Step 2



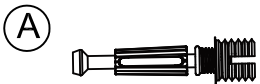
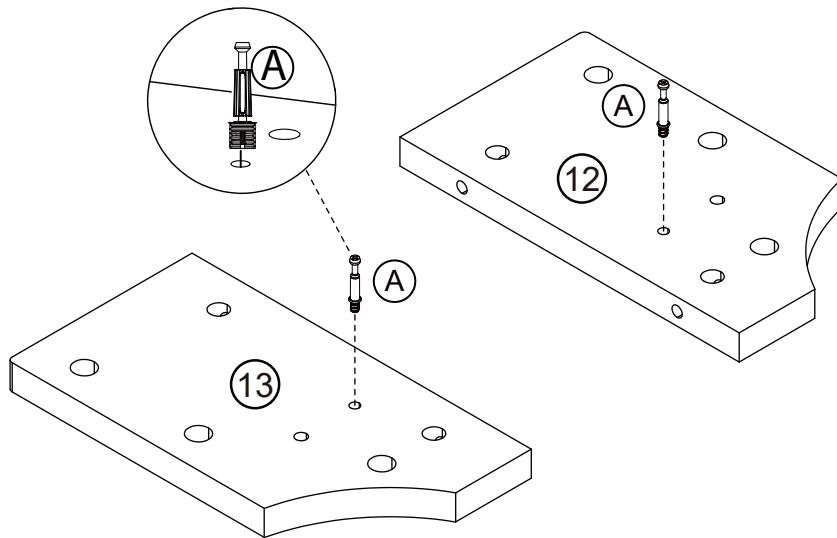
6*45mm Screw x 4



Cross nut x 4

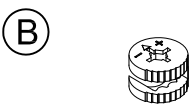
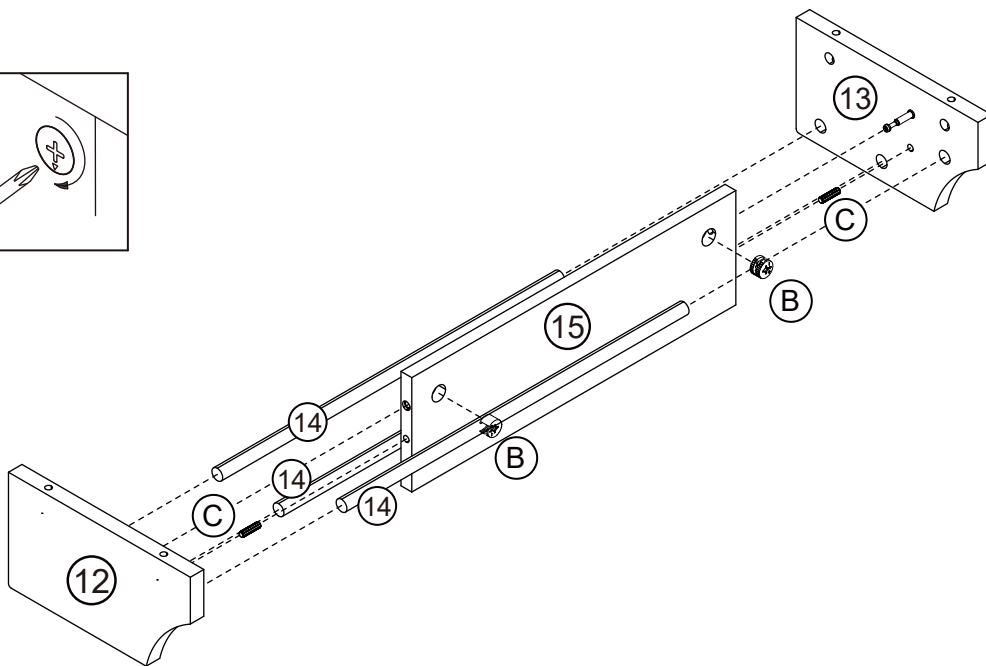
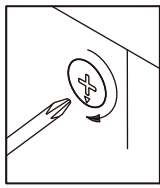
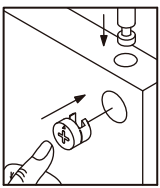
Assembly Instructions

Step 3

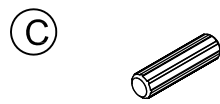


Cam Bolt x 2

Step 4



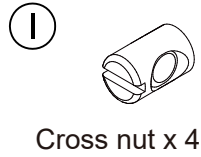
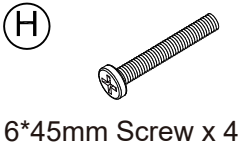
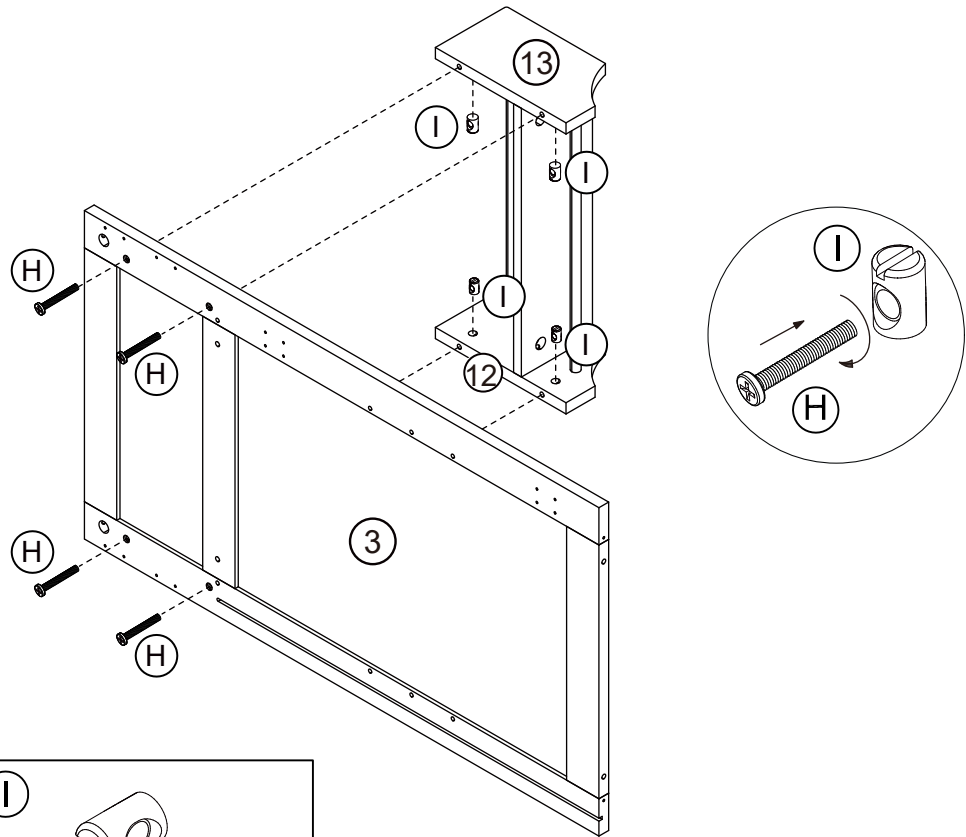
Cam lock x 2



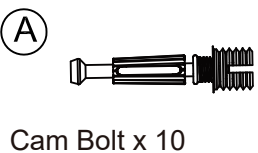
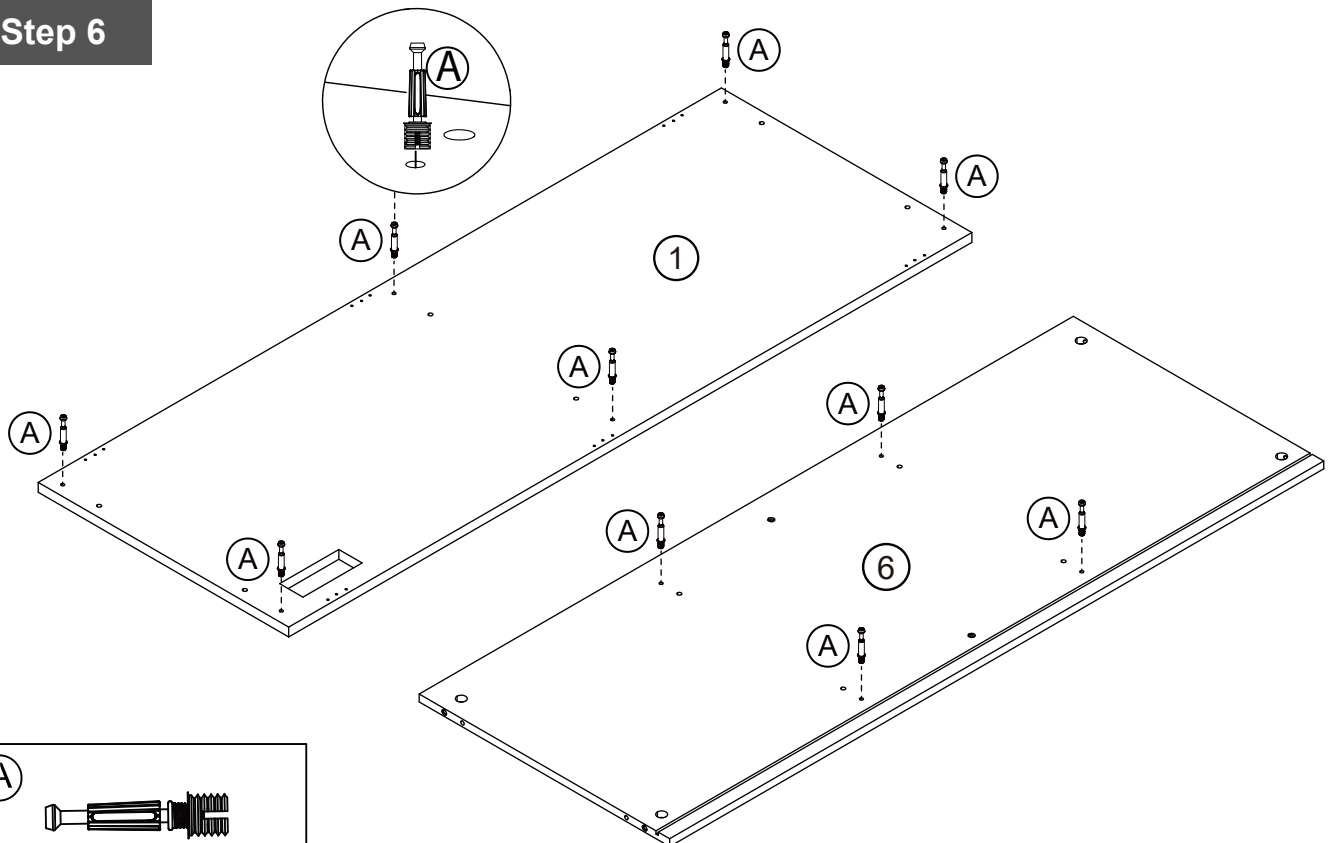
6*40mm Dowel x 2

Assembly Instructions

Step 5

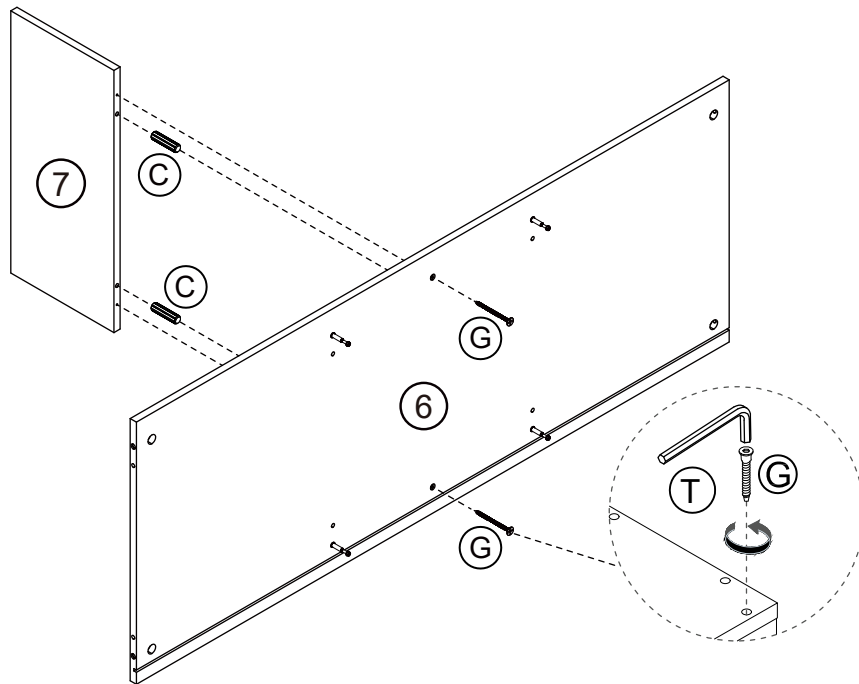


Step 6



Assembly Instructions

Step 7



(C)



6*40mm Dowel x 2

(G)



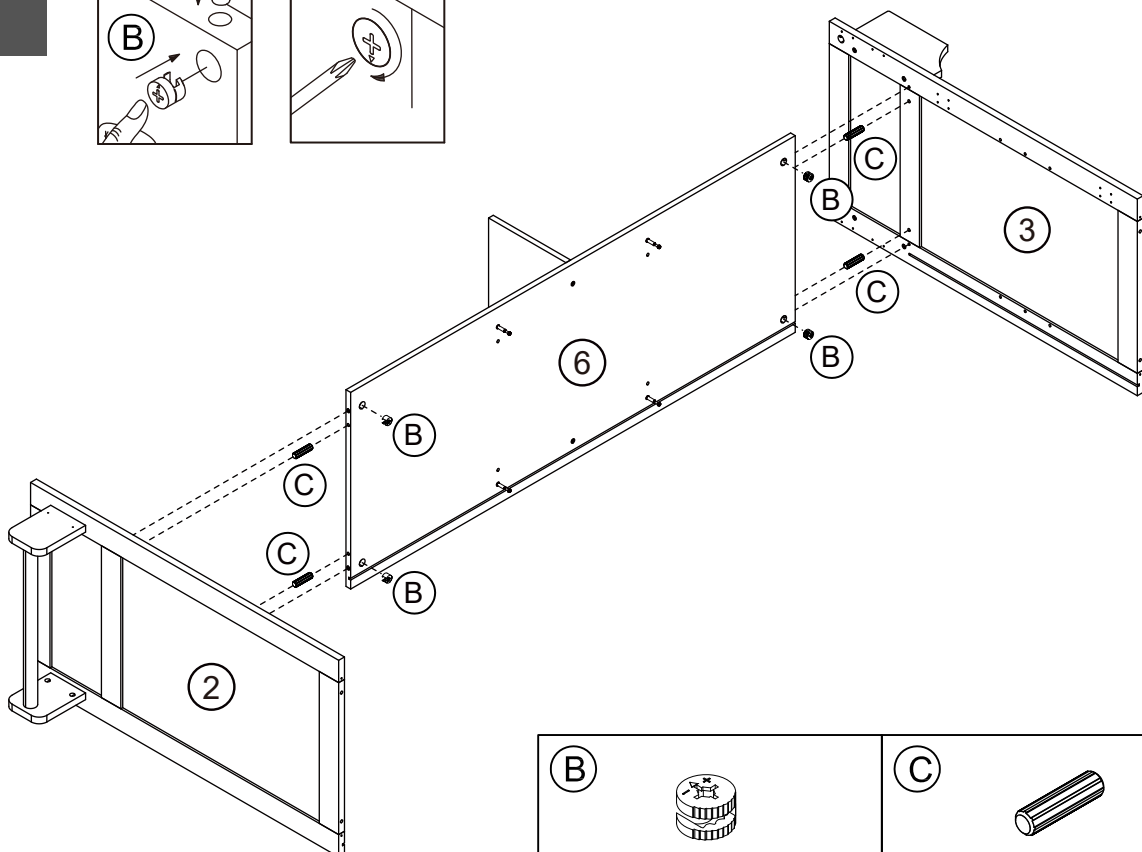
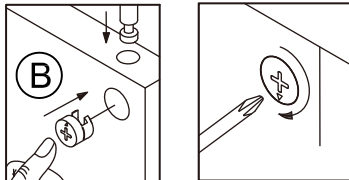
7x40mm Screw x 2

(T)



Allen Wrench x 1

Step 8



(B)



Cam lock x 4

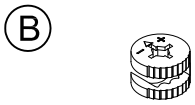
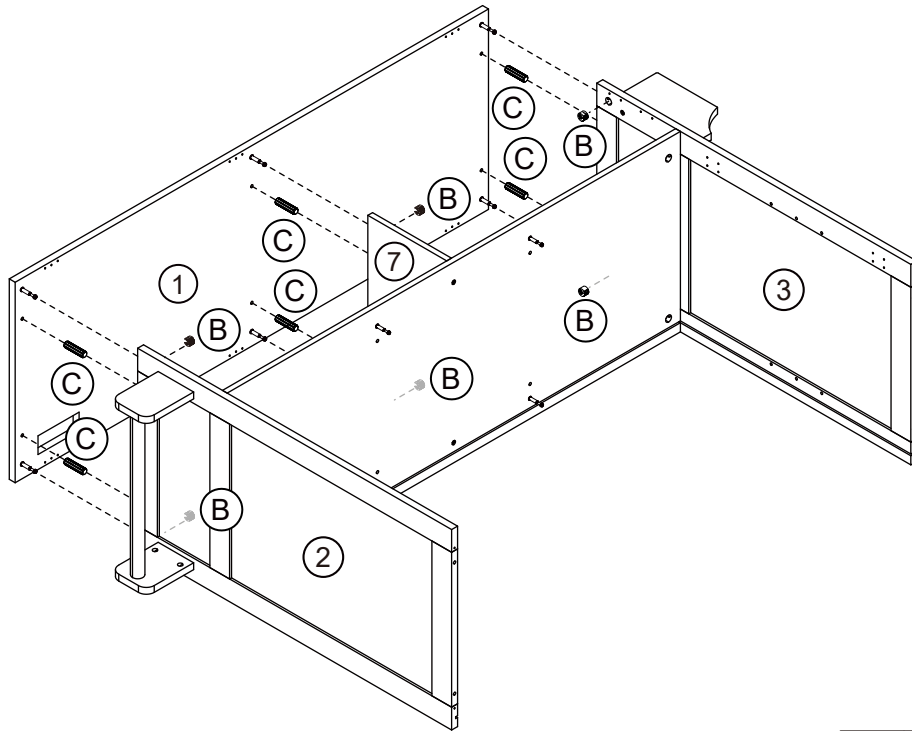
(C)



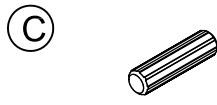
6*40mm Dowel x 4

Assembly Instructions

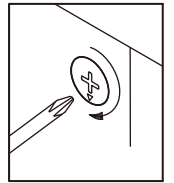
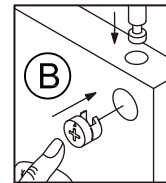
Step 9



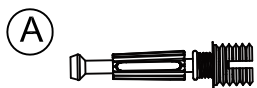
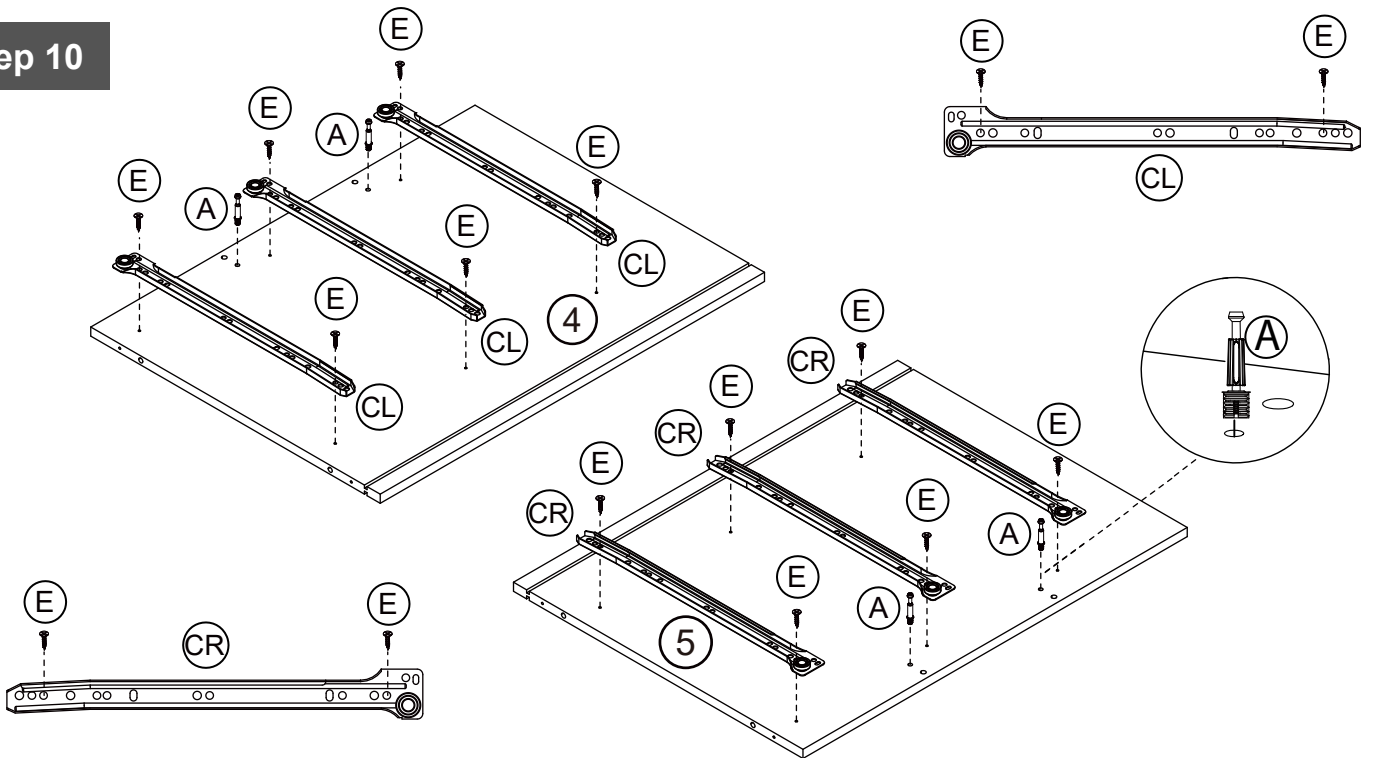
Cam lock x 6



6*40mm Dowel x 6



Step 10



Cam Bolt x 4



3*12mm Screw x 12



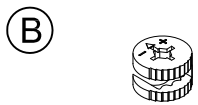
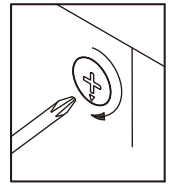
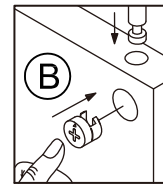
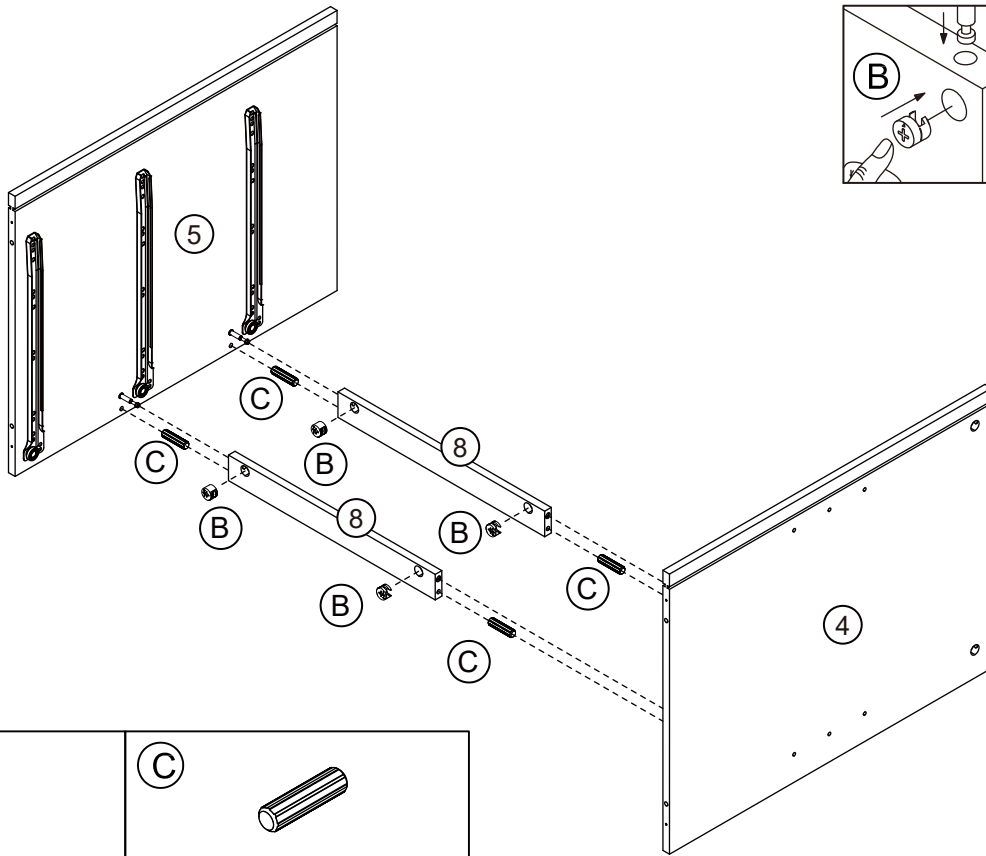
Runner 300mm x 3



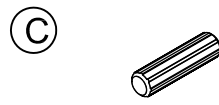
Runner 300mm x 3

Assembly Instructions

Step 11

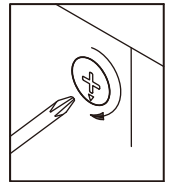
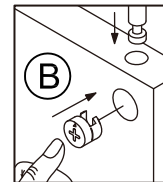
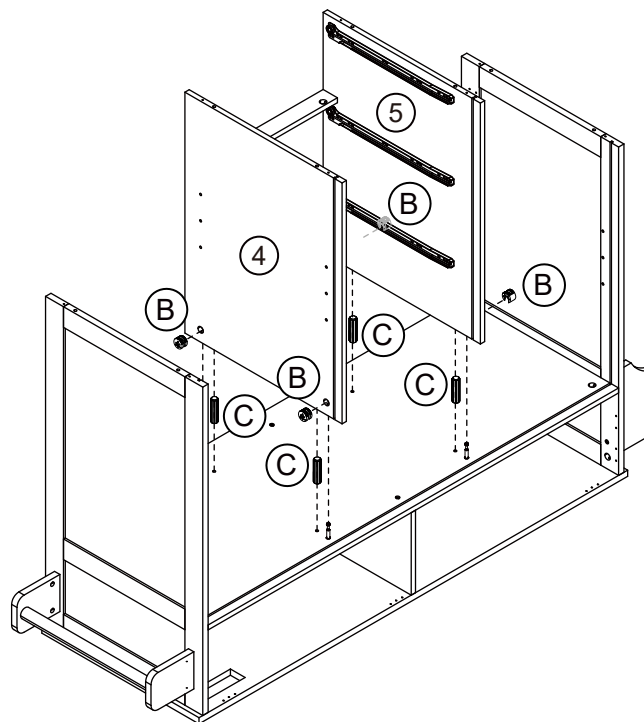


Cam lock x 4

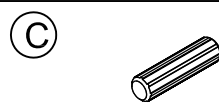


6*40mm Dowel x 4

Step 12



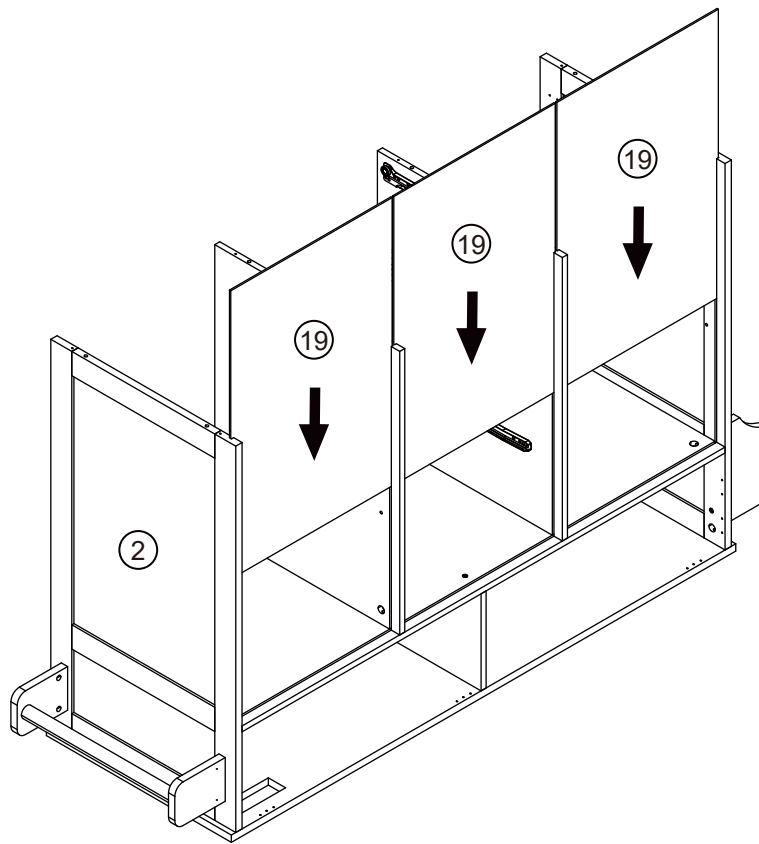
Cam lock x 4



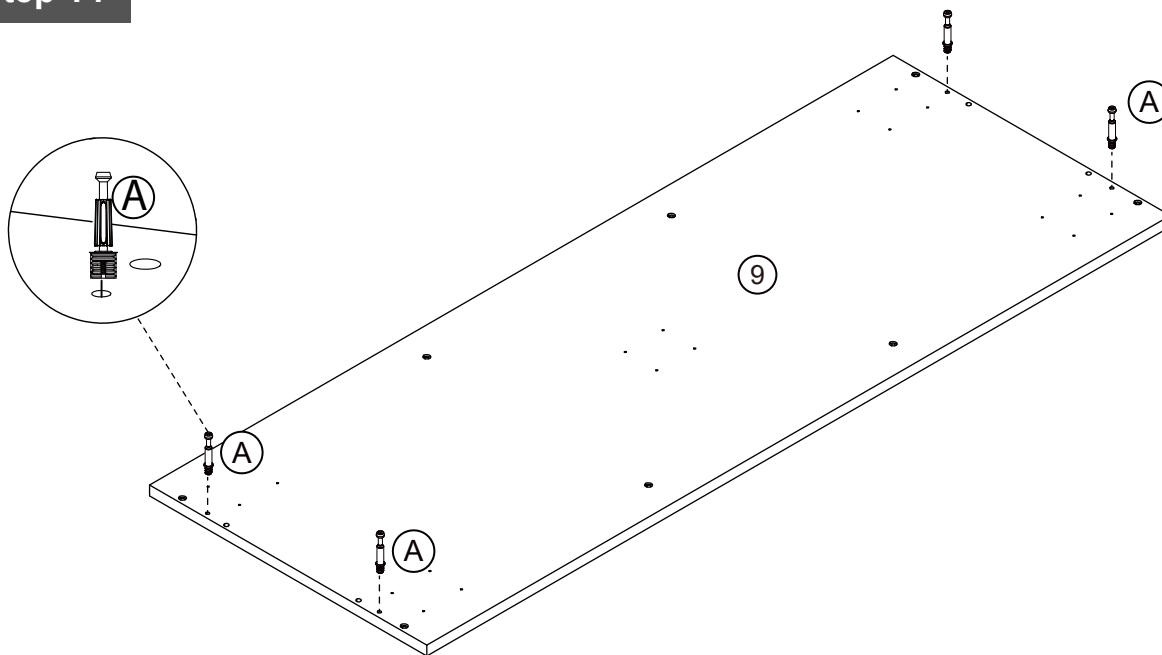
6*40mm Dowel x 4

Assembly Instructions

Step 13



Step 14



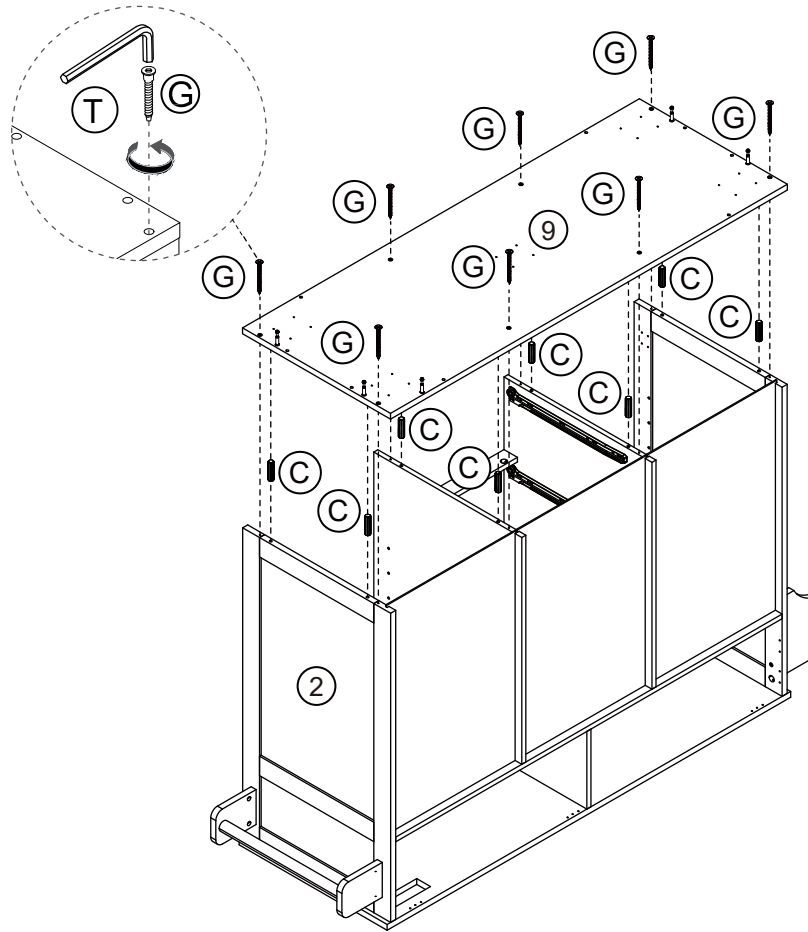
A



Cam Bolt x 4

Assembly Instructions

Step 15



T



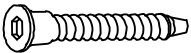
Allen Wrench x 1

C



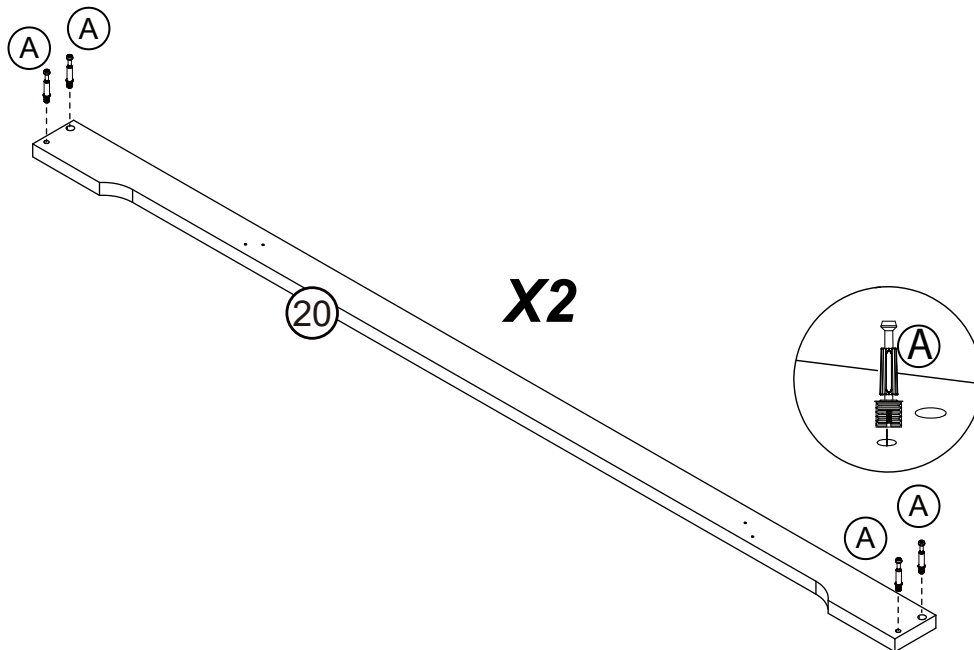
6*40mm Dowel x 8

G



7x40mm Screw x 8

Step 16



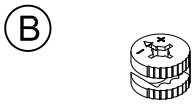
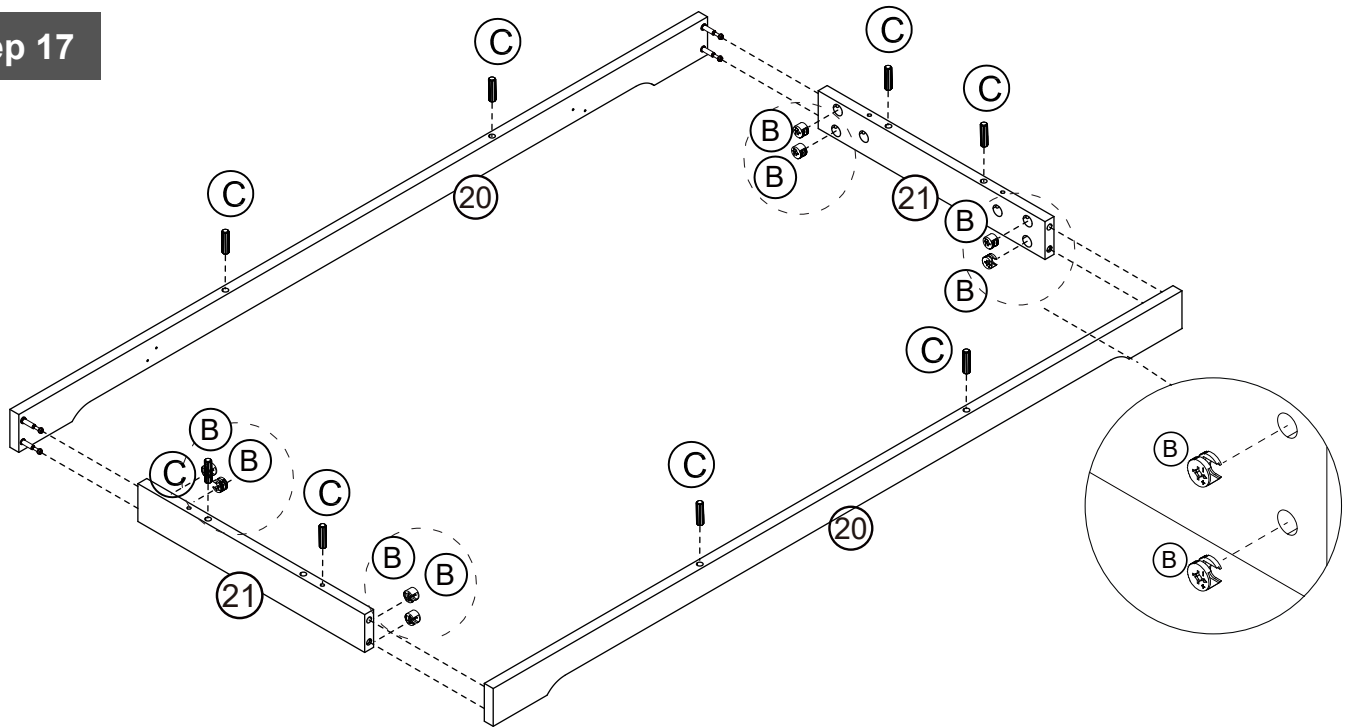
A



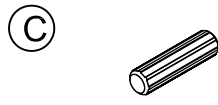
Cam Bolt x 4

Assembly Instructions

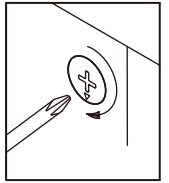
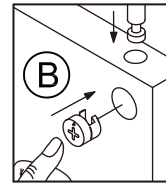
Step 17



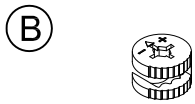
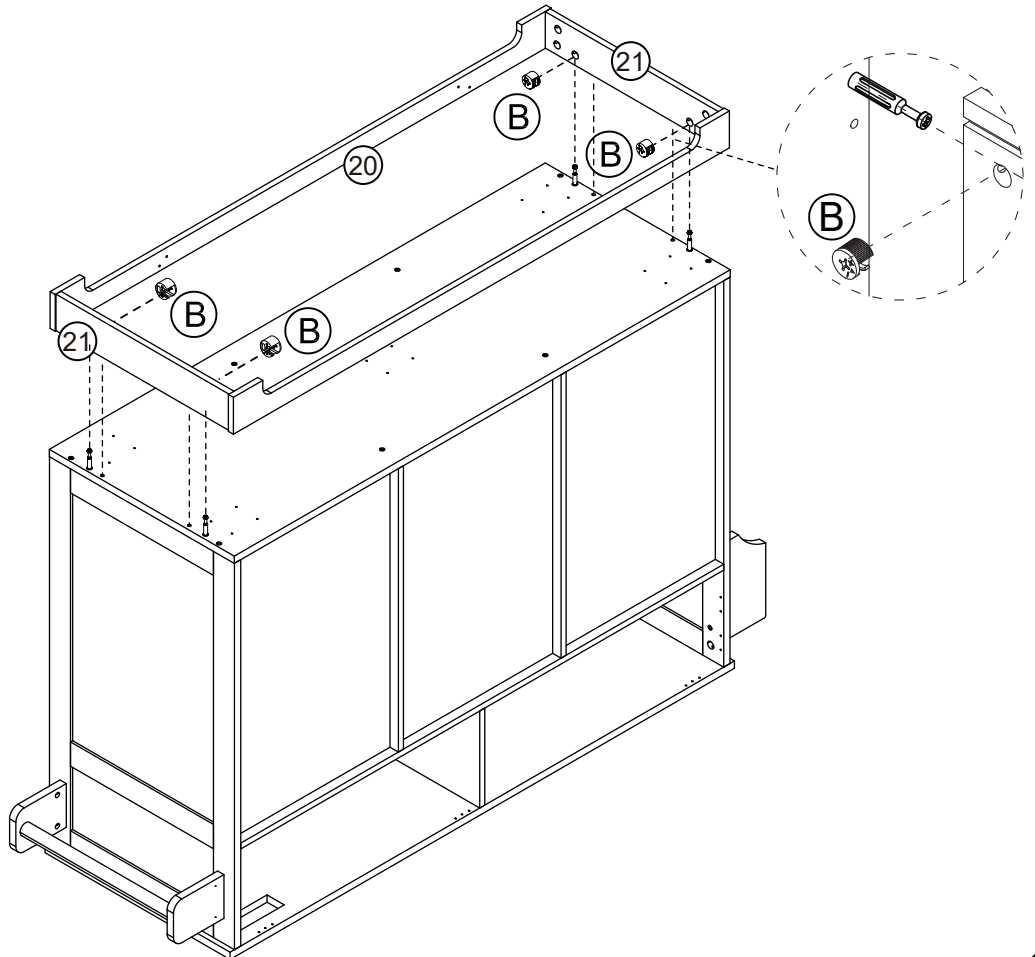
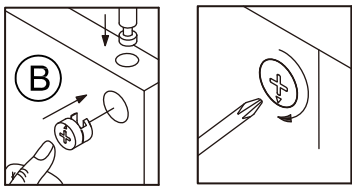
Cam lock x 8



6*40mm Dowel x 8



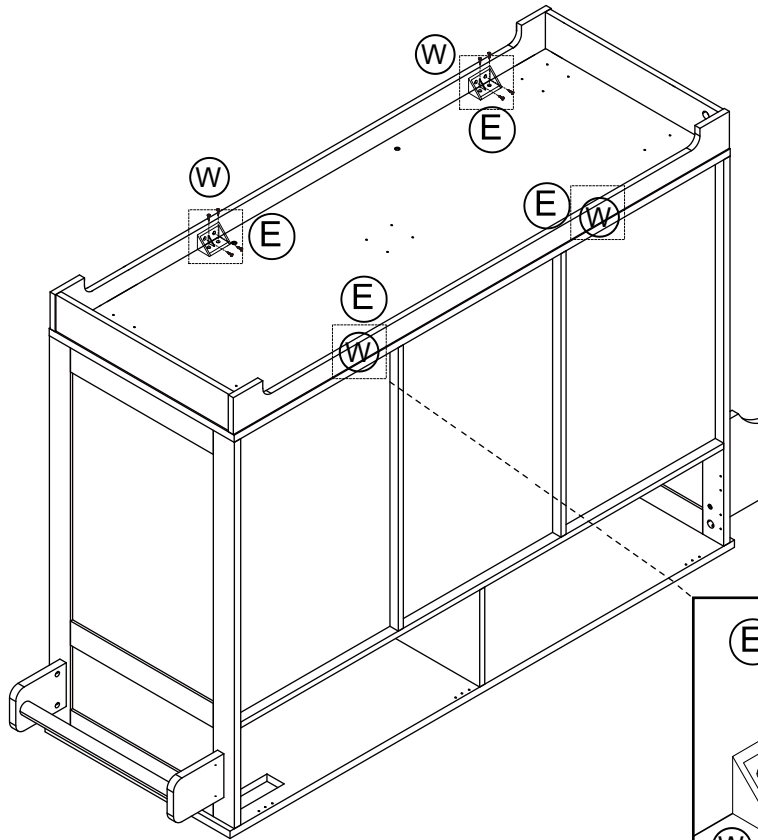
Step 18



Cam lock x 4

Assembly Instructions

Step 19

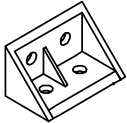


E

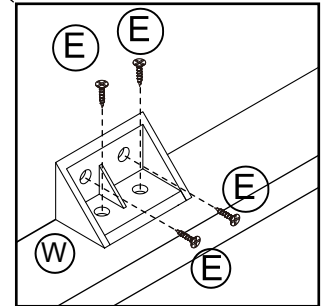


3*12mm Screw x 16

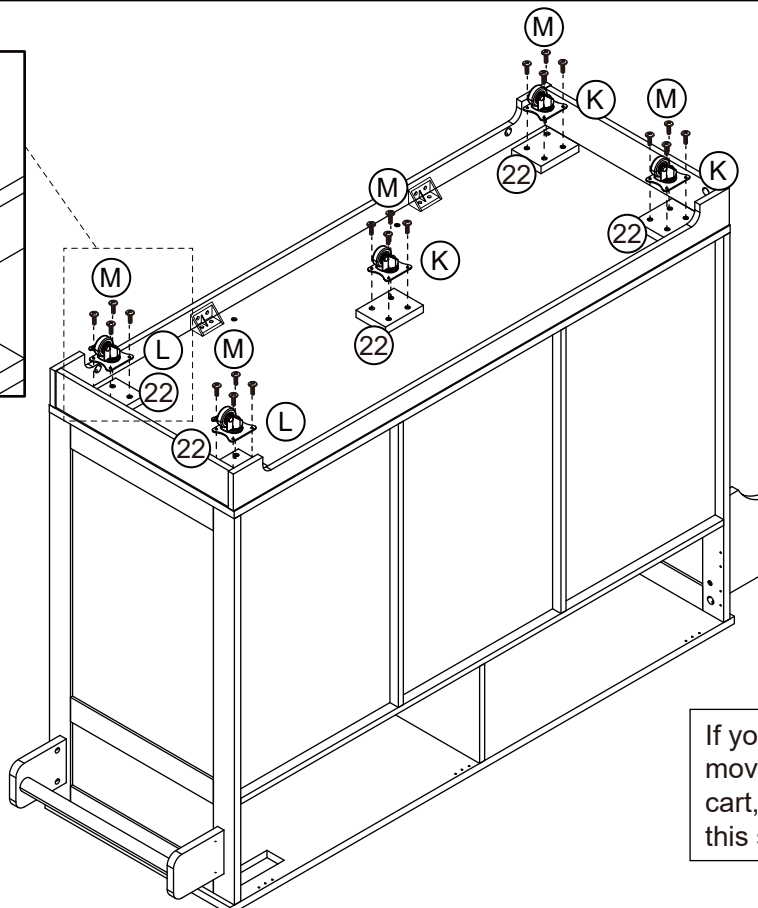
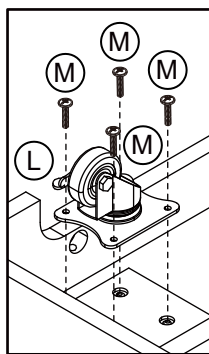
W



Angle iron x 4



Step 20

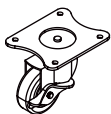


M



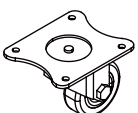
6*25mm Screw x 20

L



Locking caster x 2

K

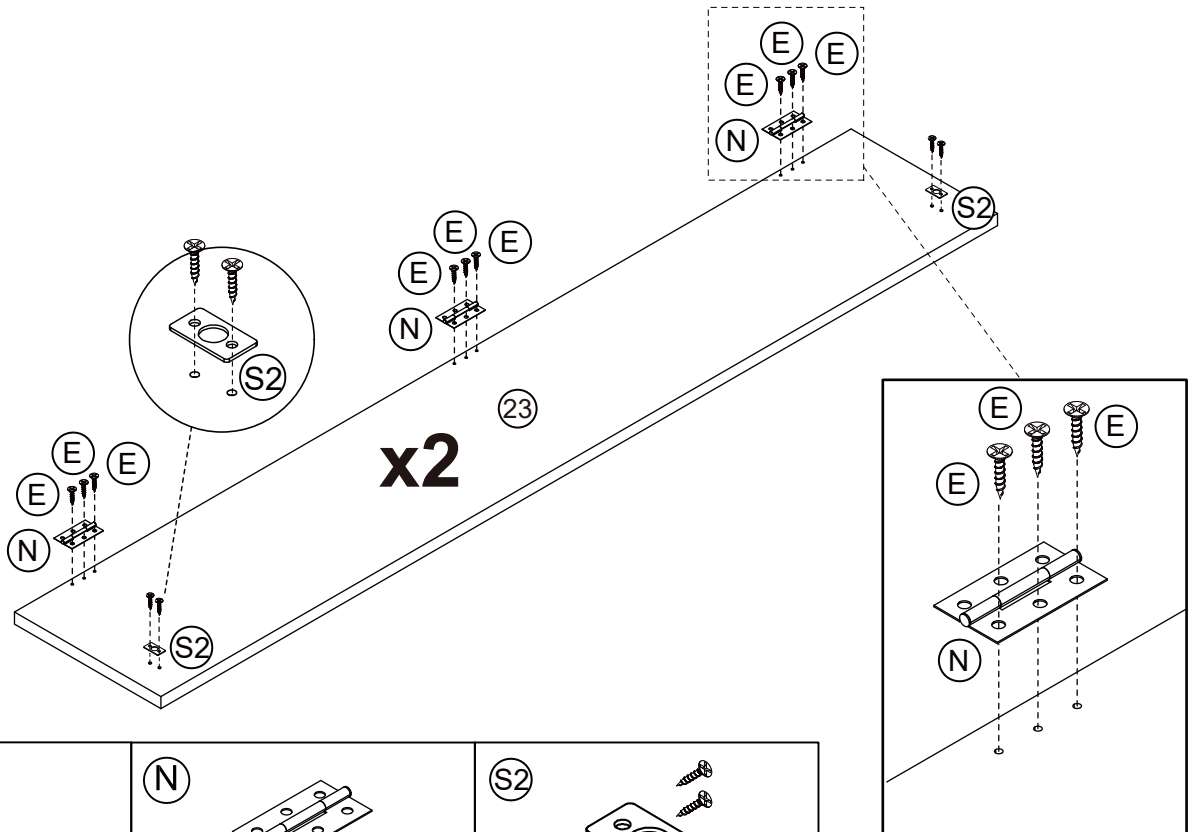


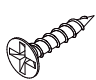
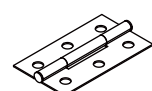
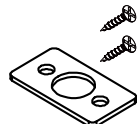
Caster x 3

If you do not want to move this kitchen island cart, you may not install this step.

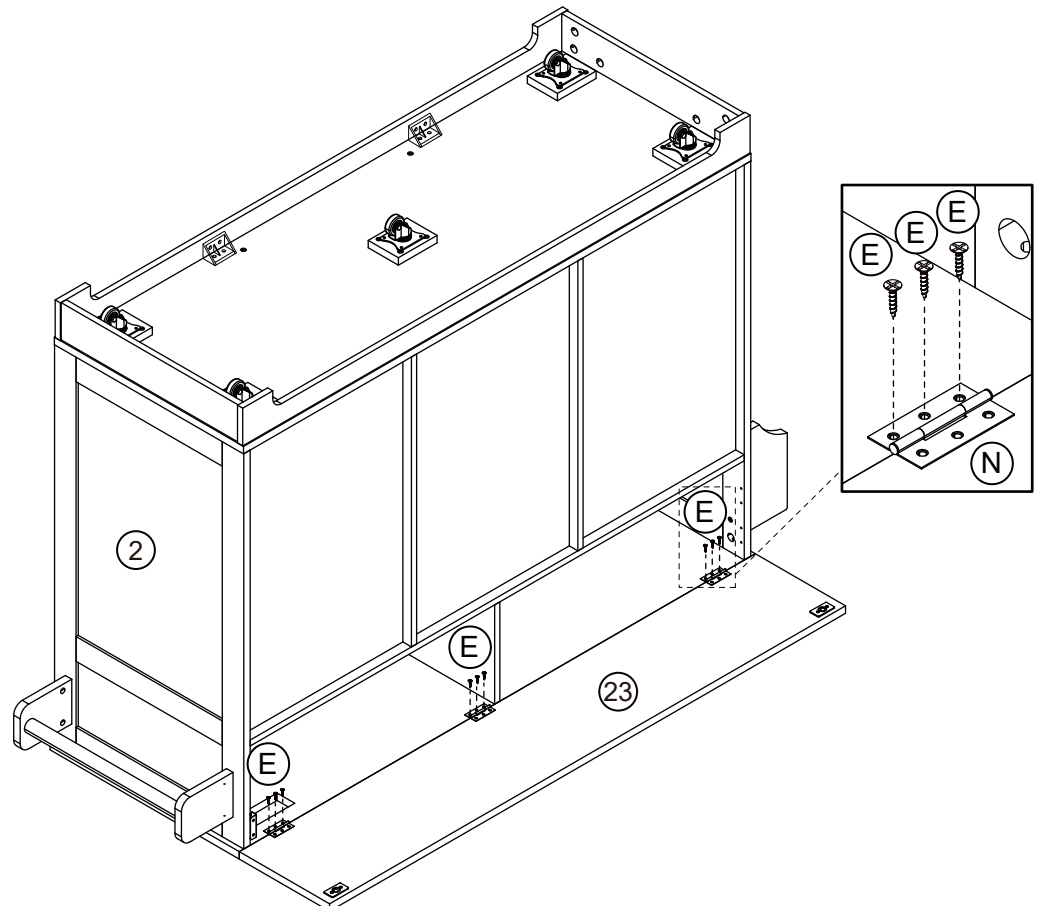
Assembly Instructions

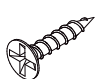
Step 21



<p>(E) </p> <p>3*12mm Screw x 18</p>	<p>(N) </p> <p>hinge x 6</p>	<p>(S2) </p> <p>x 4</p>
---	---	---

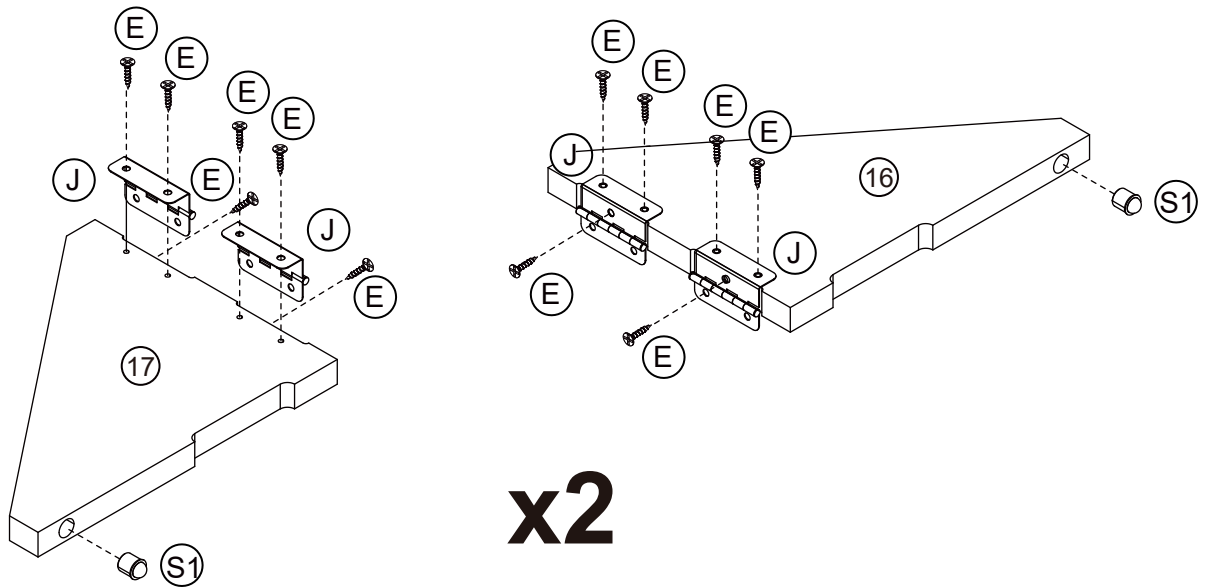
Step 22



<p>(E) </p> <p>3*12mm Screw x 9</p>
--

Assembly Instructions

Step 23

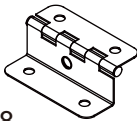


(E)



3*12mm Screw x 24

(J)



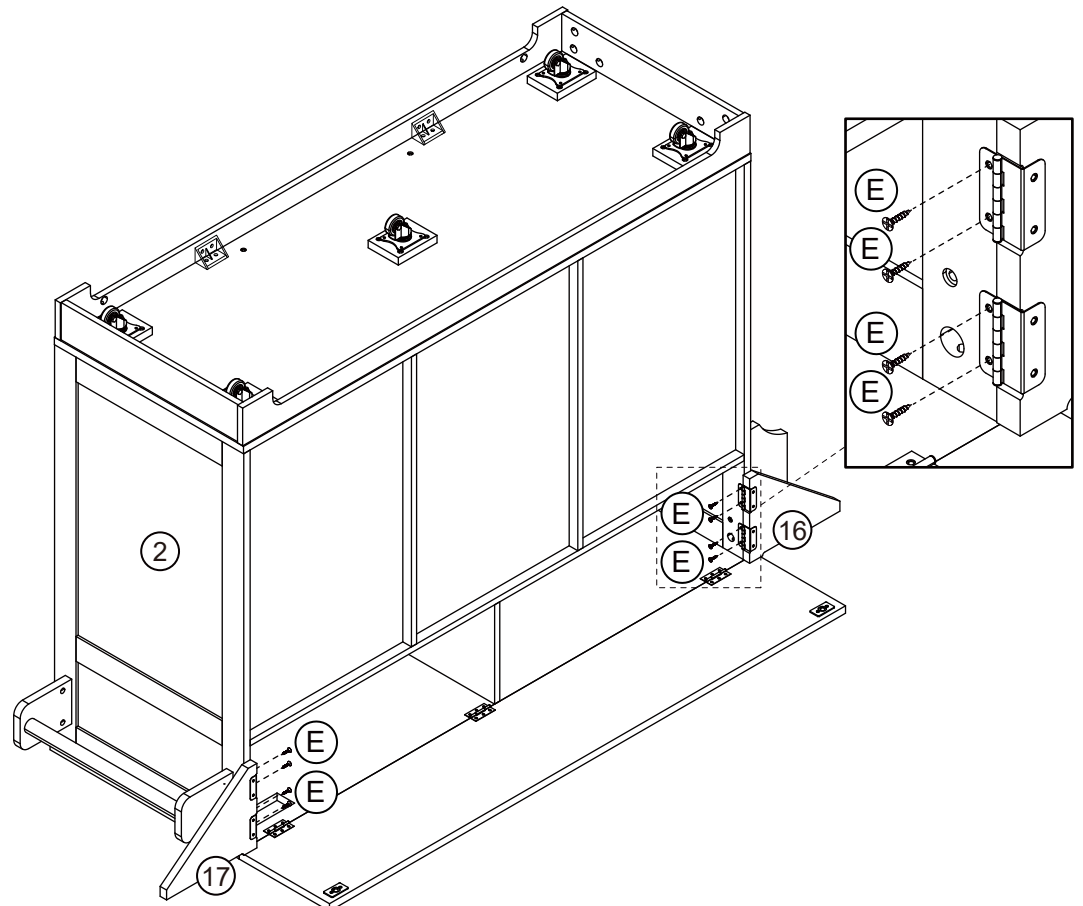
hinge x 8

(S1)



Pressure ball x 4

Step 24



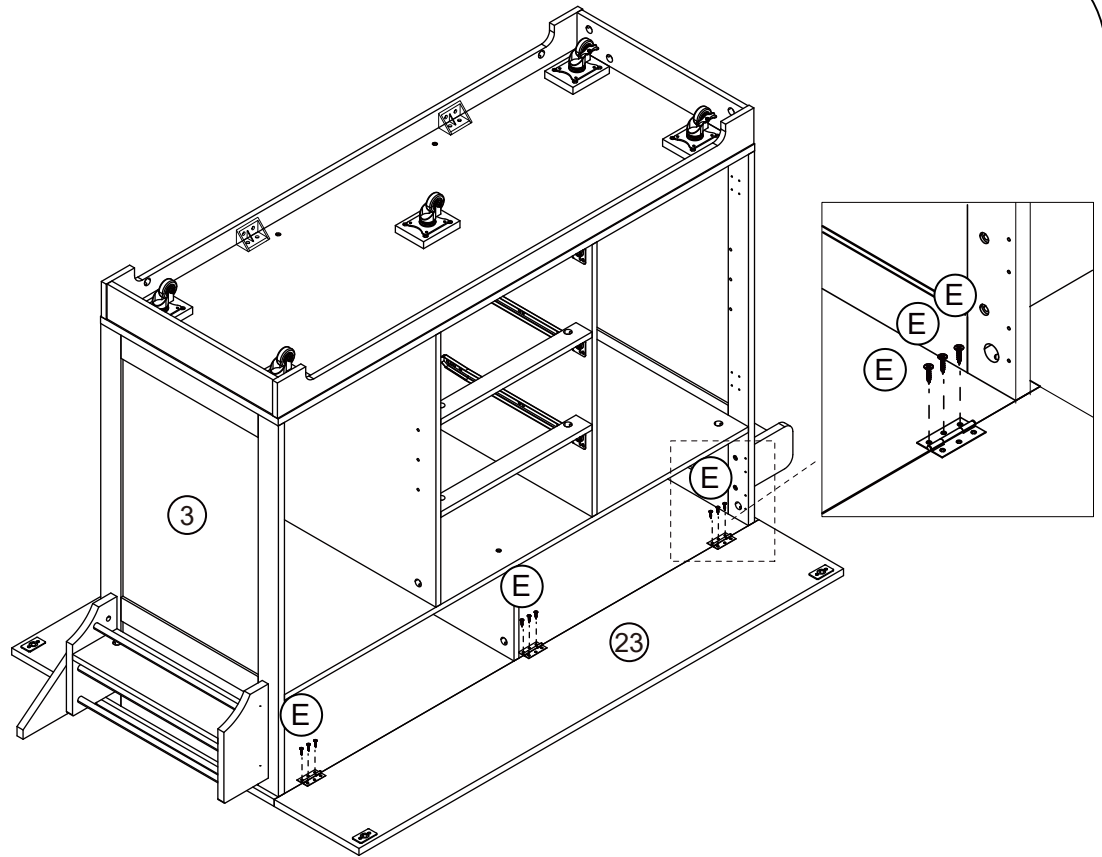
(E)



3*12mm Screw x 8

Assembly Instructions

Step 25

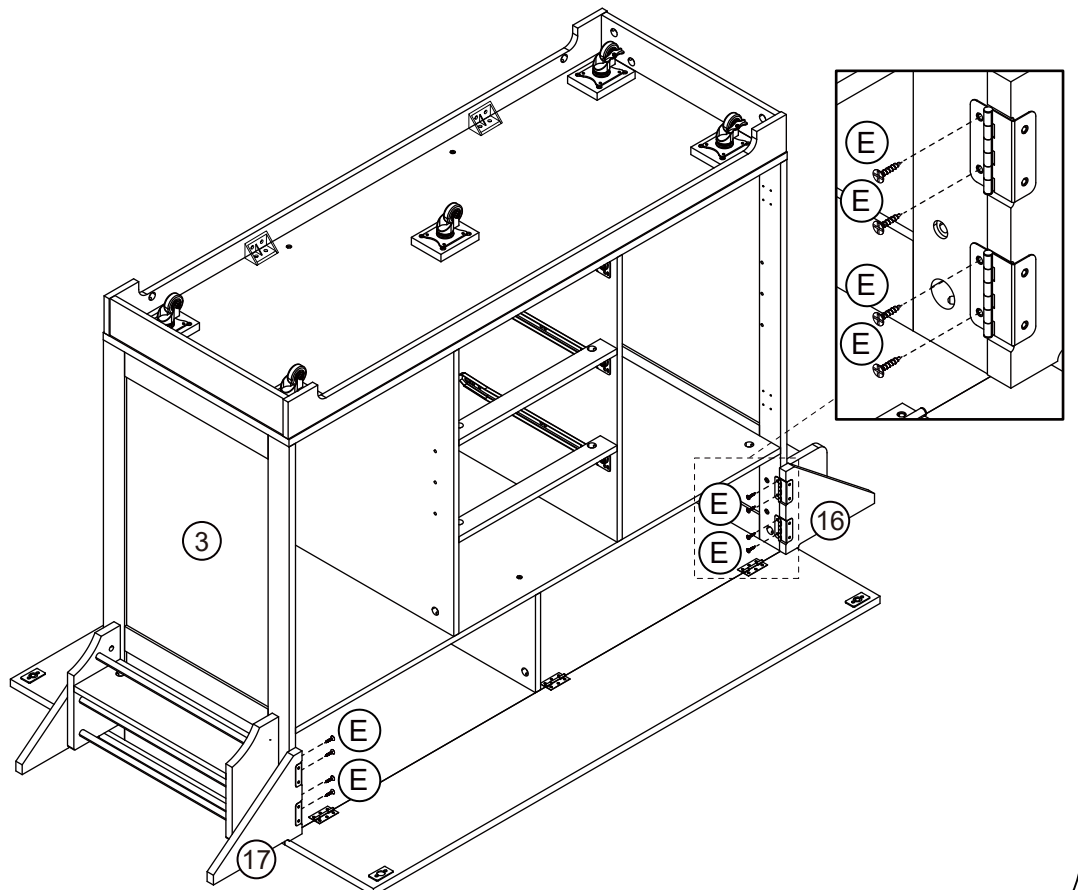


E



3*12mm Screw x 9

Step 26



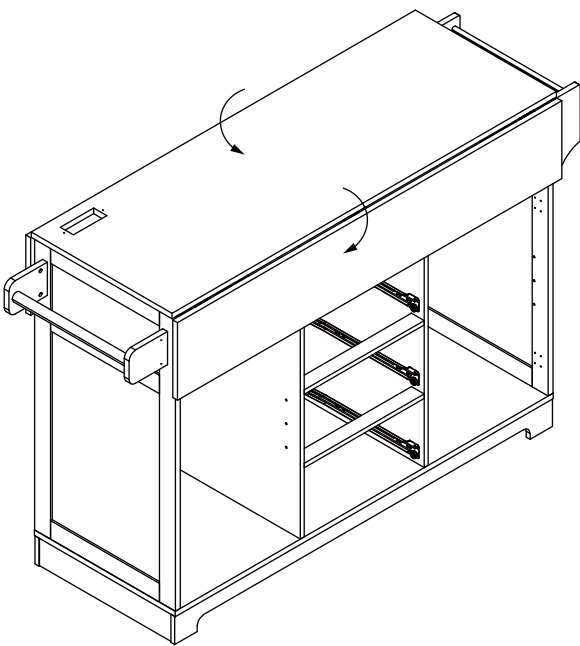
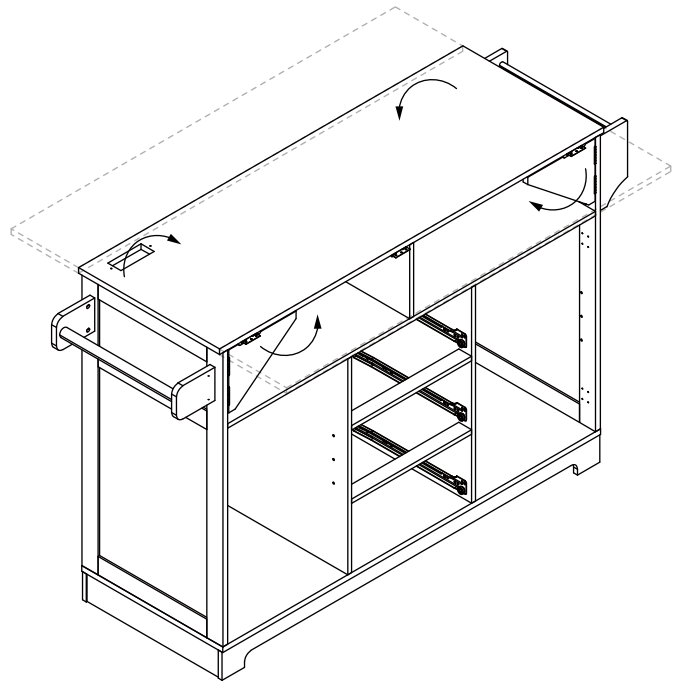
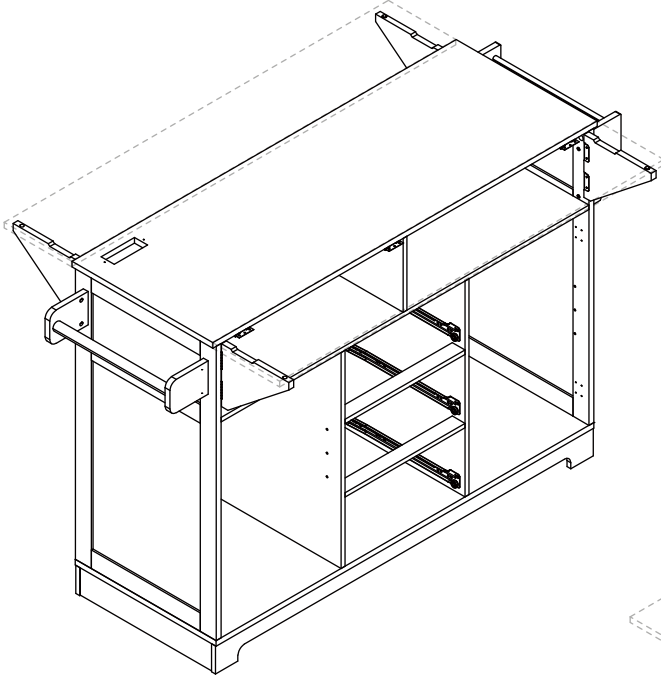
E



3*12mm Screw x 8

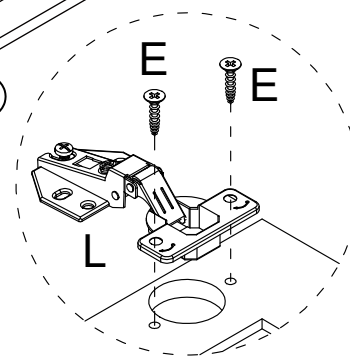
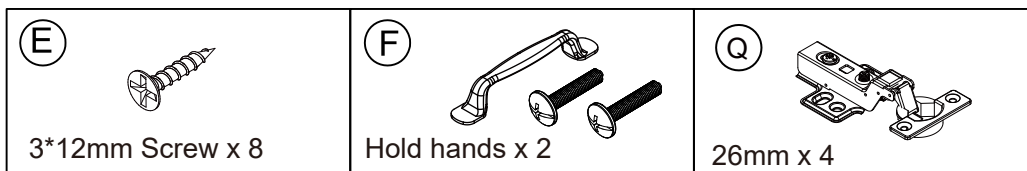
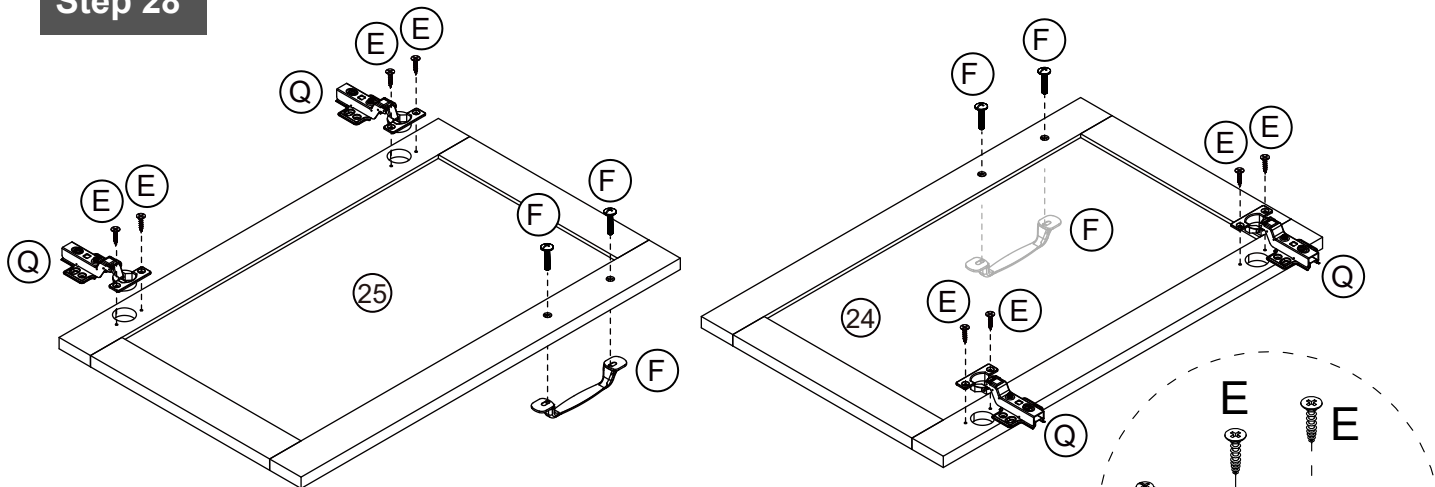
Assembly Instructions

Step 27

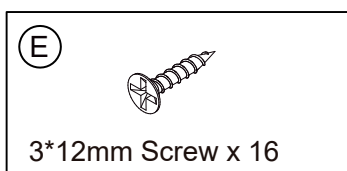
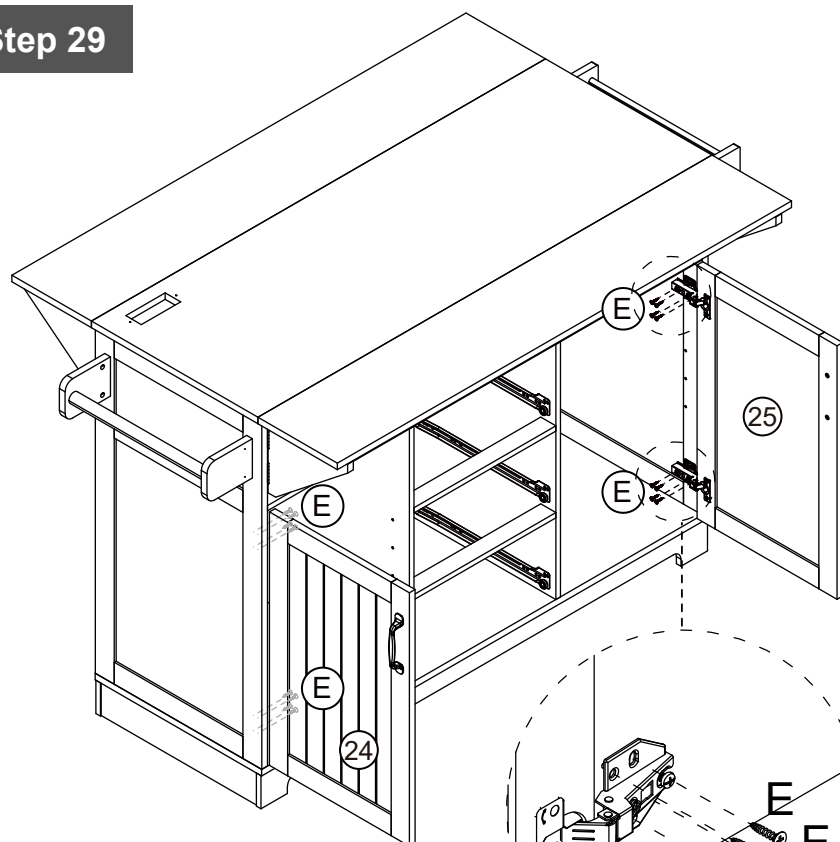


Assembly Instructions

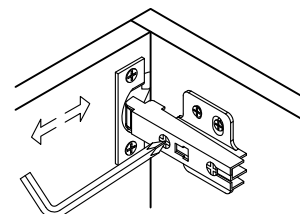
Step 28



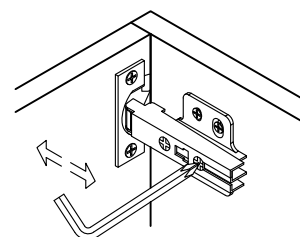
Step 29



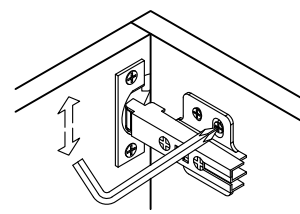
ADJUSTING POSSIBILITIES



• LATERAL ADJUSTMENT BY SCREW ADJUSTMENT



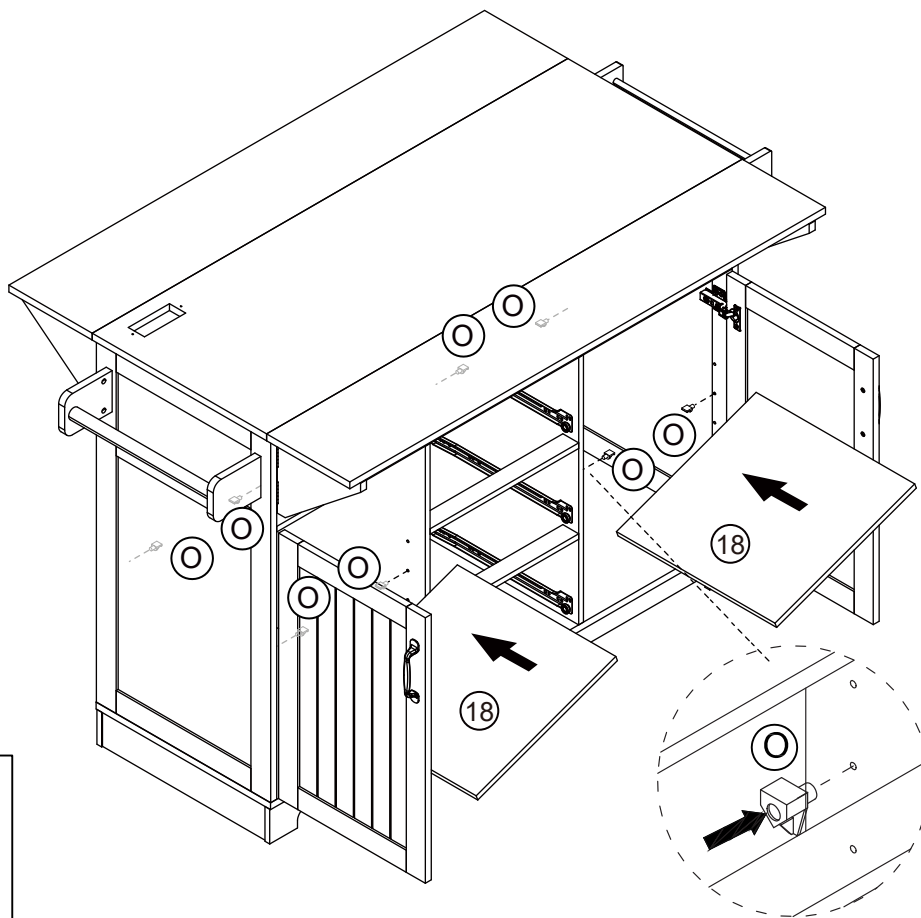
• FRONT-TO-BACK BY SLACKENING THE HINGE-ARM MOUNTING SCREW



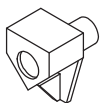
• VERTICAL ADJUSTMENT VIA MOUNTING PLATE (VIA SLOTS OR, IF IN TWO PIECES, BY SCREWS)

Assembly Instructions

Step 30

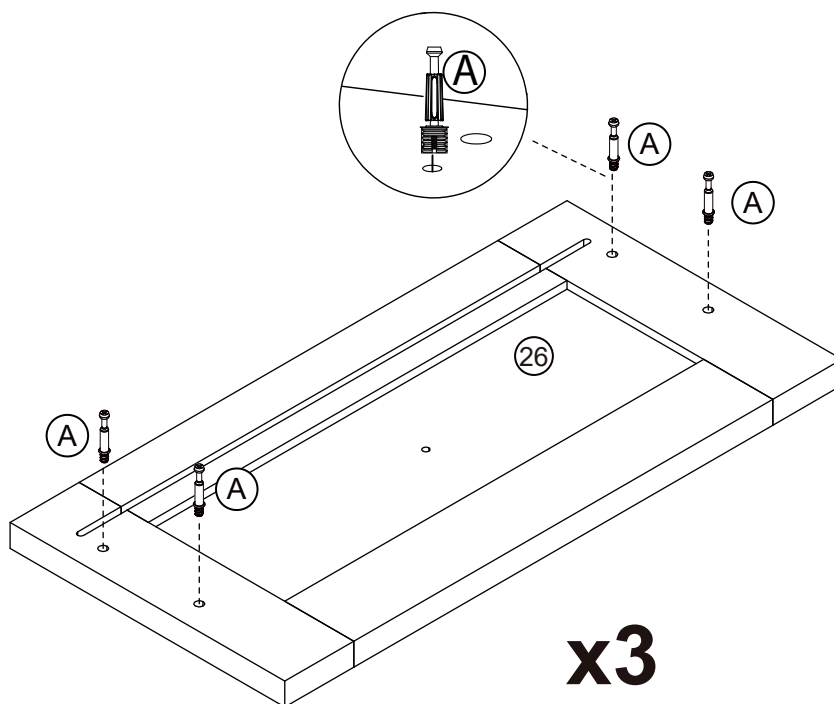


○



Pivot x 8

Step 31



x3

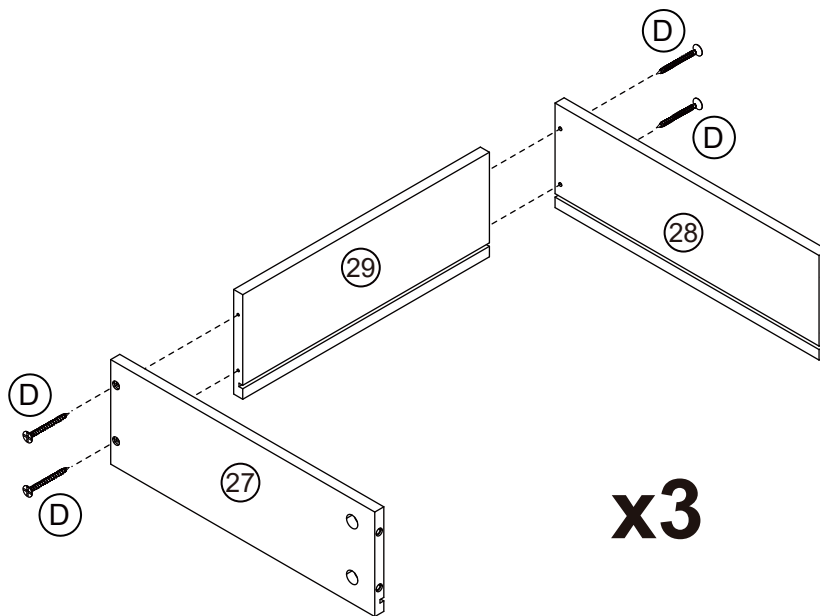
Ⓐ



Cam Bolt x 12

Assembly Instructions

Step 32

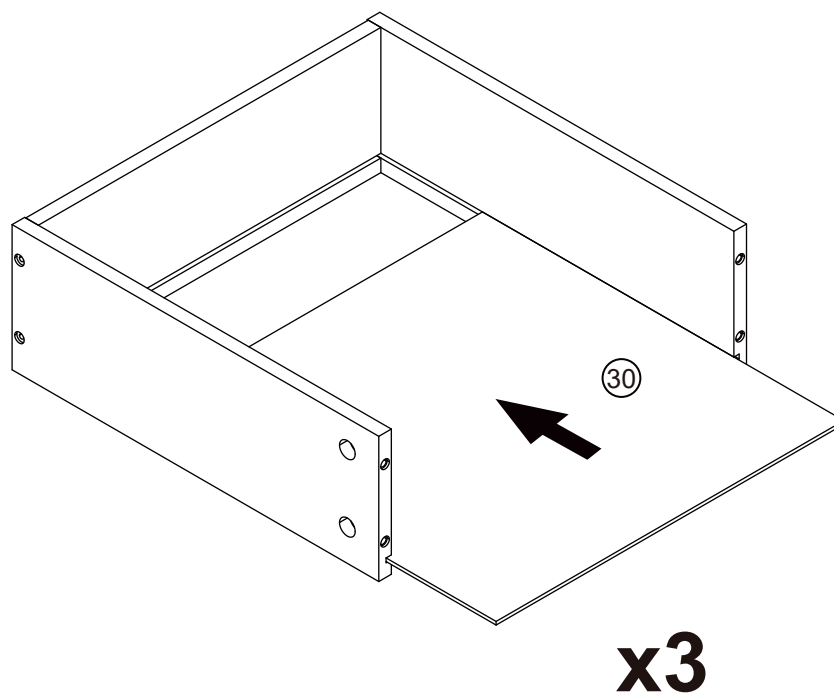


D



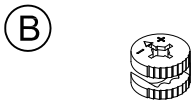
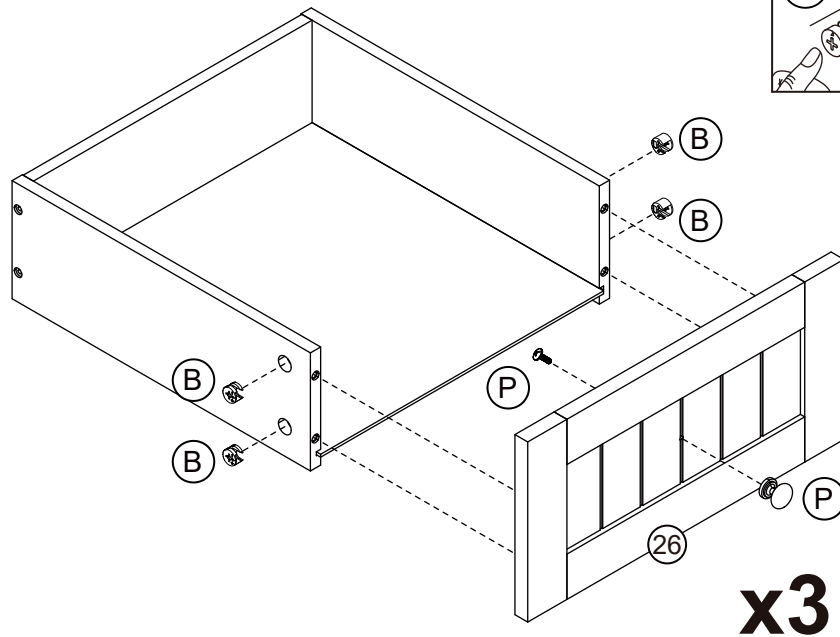
3.5*30mm Screw x 12

Step 33



Assembly Instructions

Step 34

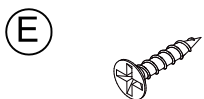
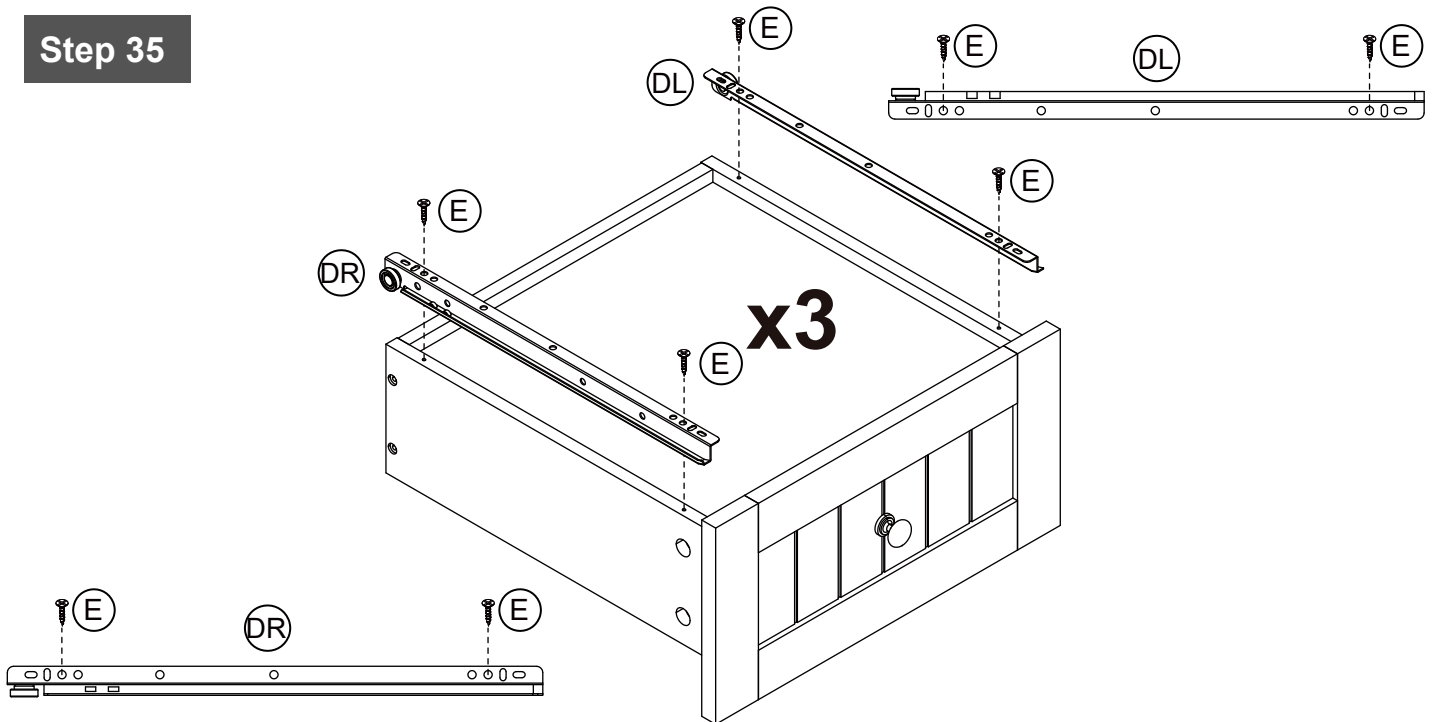


Cam lock x 12

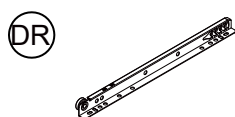


Hold hands x 3

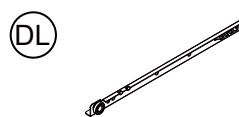
Step 35



3*12mm Screw x 12



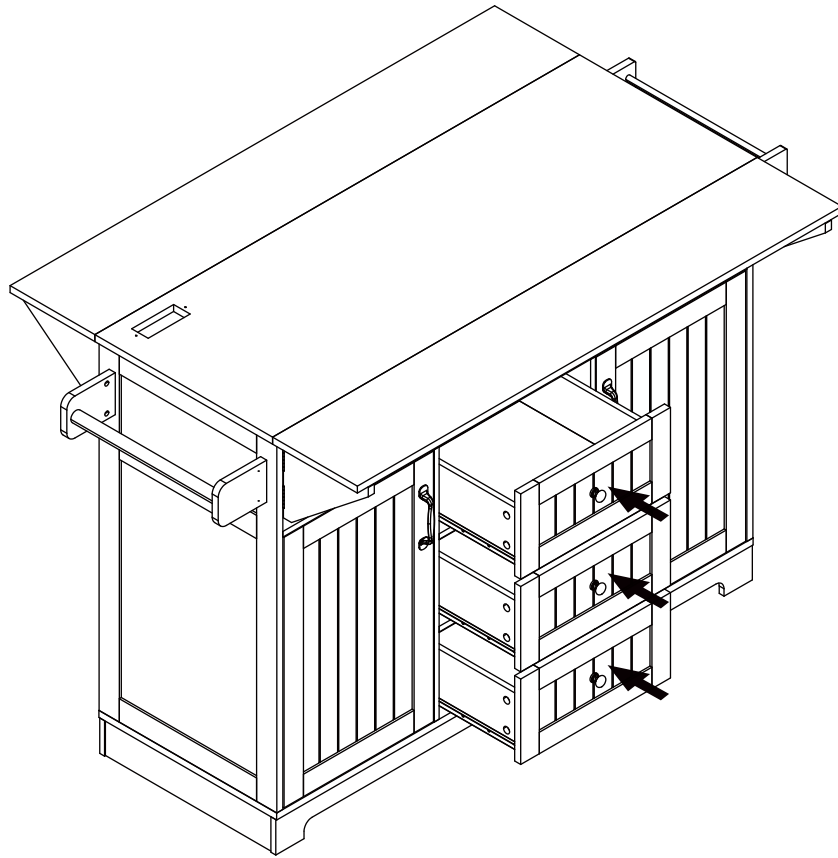
Runner 300mm x 3



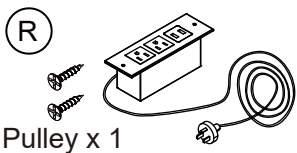
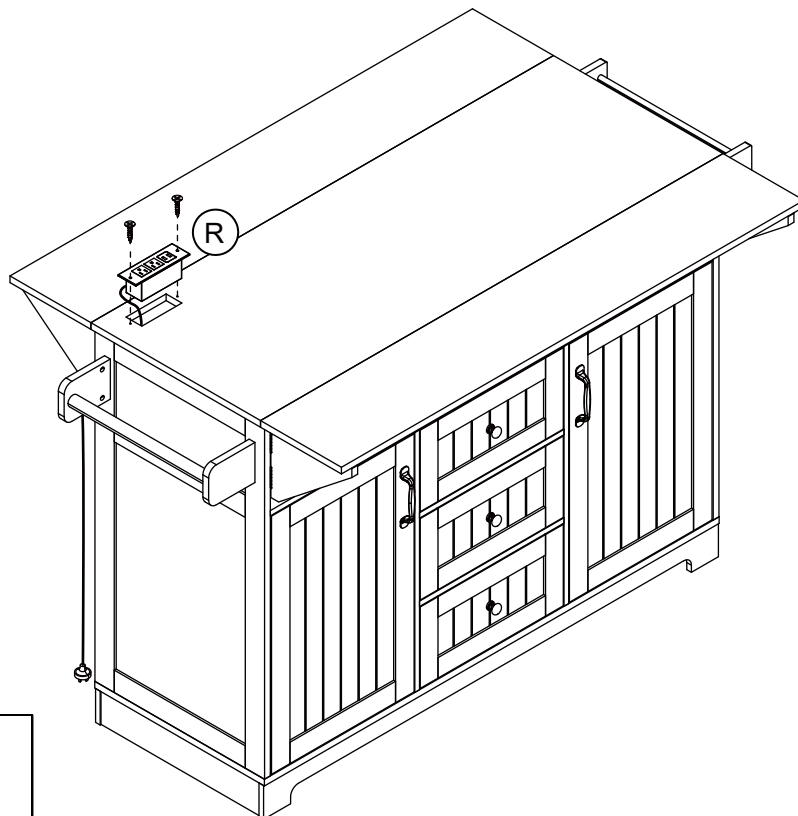
Runner 300mm x 3

Assembly Instructions

Step 36

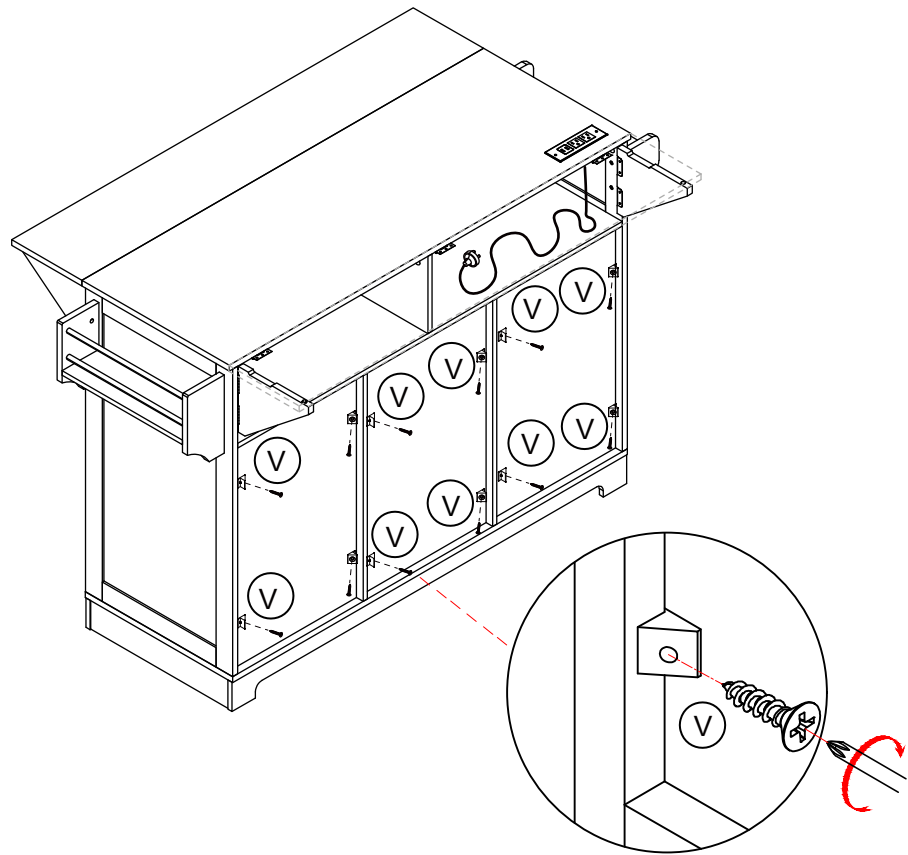


Step 37

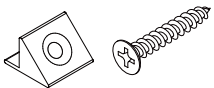


Assembly Instructions

Step 38



V



Back plate buckle x 12
3*16mm Screw x 12

Step 39

