

ASSEMBLY INSTRUCTIONS

TOOLS REQUIRED



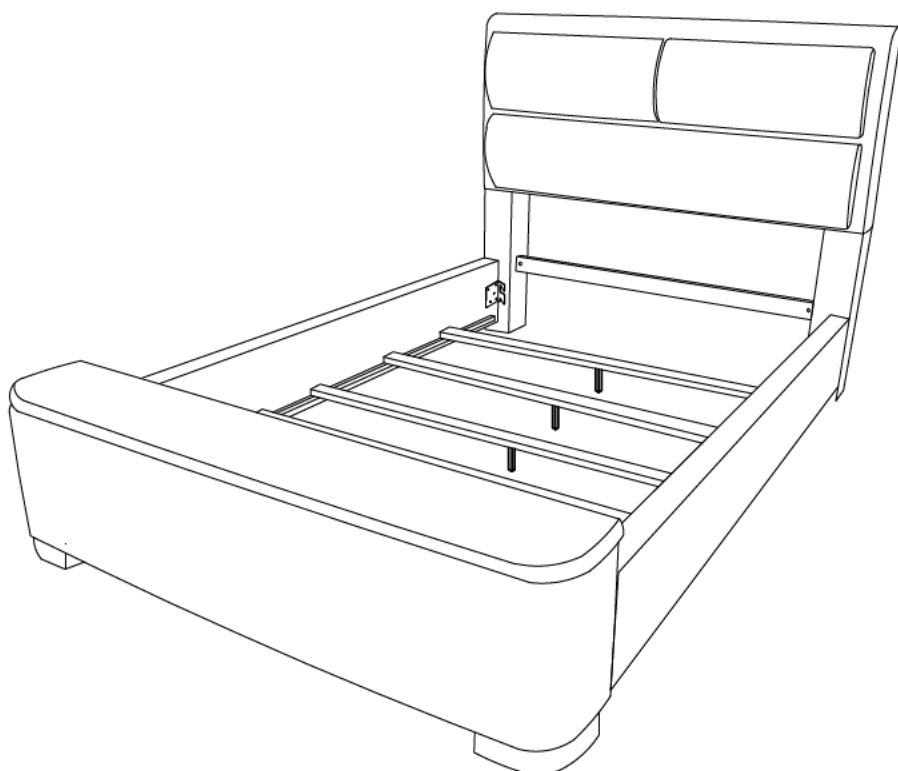
Allen Wrench

(Included)



Phillips
Screwdriver

(Not Included)



2 - People
Recommended

ASSEMBLY RATING



EASY —————> DIFFICULT

The Assembly Rating is a 5-point system showing the level of effort needed to assemble a specific product.



CHECK BEFORE STARTING

Are you missing anything?

Double-check all parts, hardware and accessories listed are all accounted for.

Check out our Quick Tips!

We recommend reviewing the pre-assembly handouts. Even experts need a refresher now and then!

Should we send any replacements?

Are there any irregularities or flaws in the parts? We can send replacements!

Prep Time!

Please review the assembly instructions and all diagrams prior to assembling.

PRE ASSEMBLY INTRODUCTION

We understand building ready-to-assemble furniture can be a challenging experience for some. To help avoid confusion, we have provided some helpful tips that may speed up the process.



Teamwork

ALWAYS have at least two people to help with transporting and assembling the product to avoid potential injury and/or damage.



Suitable Location

Assembling near the area of the intended location is highly recommended.



Sufficient Space

Make sure you have enough space to move around during the assembly.



Avoid Scratches

Use cardboard, blankets or a carpeted area while assembling furniture to prevent to prevent scratches and damages.



Flat Surface

Make sure the furniture rests on a flat and level surface with each leg evenly touching the floor.

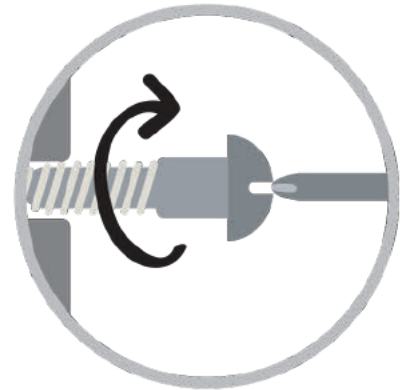
ASSEMBLY AND CARE ADVICE



FAILURE TO FOLLOW THE GUIDELINES BELOW MAY RESULT IN INJURY AND/OR PROPERTY DAMAGE.



Position each part correctly and insert screws or bolts into their respective holes.



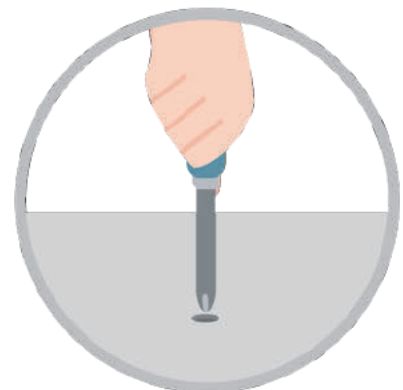
Turn clockwise to tighten and only tighten when step is completed or when instructed to do so.



Use the appropriate hand tools or power tools for assembly. Select steps, such as tightening screws and/or bolts, may require hand tools to avoid causing damage during assembly.



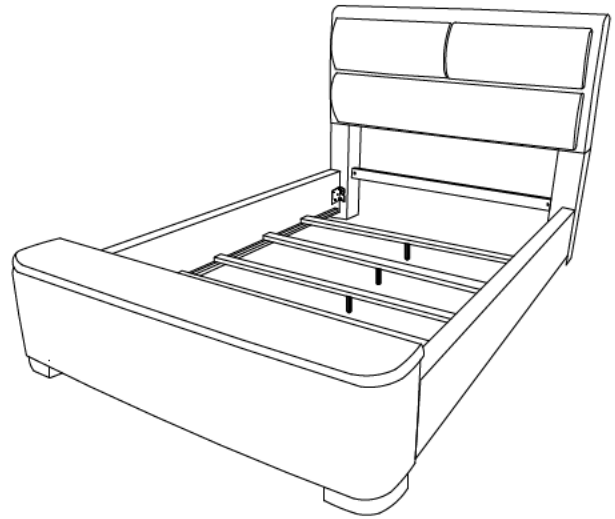
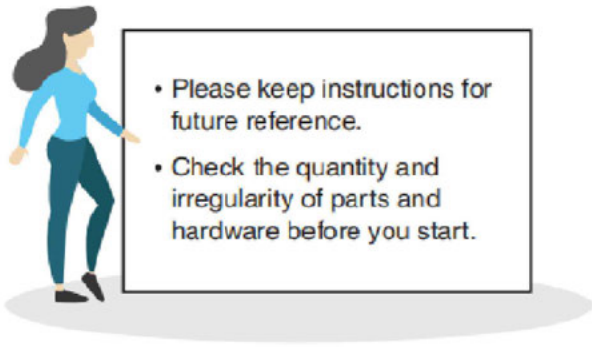
Save the instructions and store any supplied tools for later maintenance.



After two weeks, check and tighten any loose hardware and repeat again every six months thereafter.

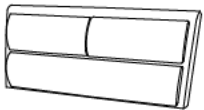
IT IS THE USER'S RESPONSIBILITY TO MAINTAIN THE FURNITURE. THE HARDWARE MAY LOOSEN OVER TIME AND MAY CAUSE THE FURNITURE TO BE WOBBLY AND UNABLE TO SUPPORT ITS INTENDED WEIGHT CAPACITY. THIS MAY LEAD TO COLLAPSE AND MAY CAUSE SERIOUS INJURY.

BED



PARTS

#1 1pc



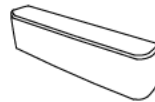
Headboard

#2 2pcs



Side Rail

#3 1pc



Footboard

#4 2pcs



FB Foot

#5 4pcs



Support leg
95x30x30mm

#6 4pcs



Slat

#7 1pc



HB Support Rail

#8 2pcs



HB Leg (L/R)

HARDWARE

#A 8pcs



Bolt
Ø5/16" x 1"

#B 6pcs



Bolt
Ø5/16" x 3/4"

#C 18pcs



Lock Washer
Ø5/16"

#D 14pcs



Flat Washer
Ø5/16" x 19mm

#E 4pcs



Flat Washer
Ø5/16" x 22mm

#F 1pc



Allen Wrench
5mm

#G 4pcs



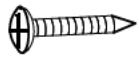
Hex Nut Ø5/16"

#H 4pcs



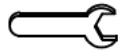
Threaded Stud
Ø5/16" x 3-1/4"

#I 14pcs



Screw
Ø5/16" x 38mm

#J 1pc



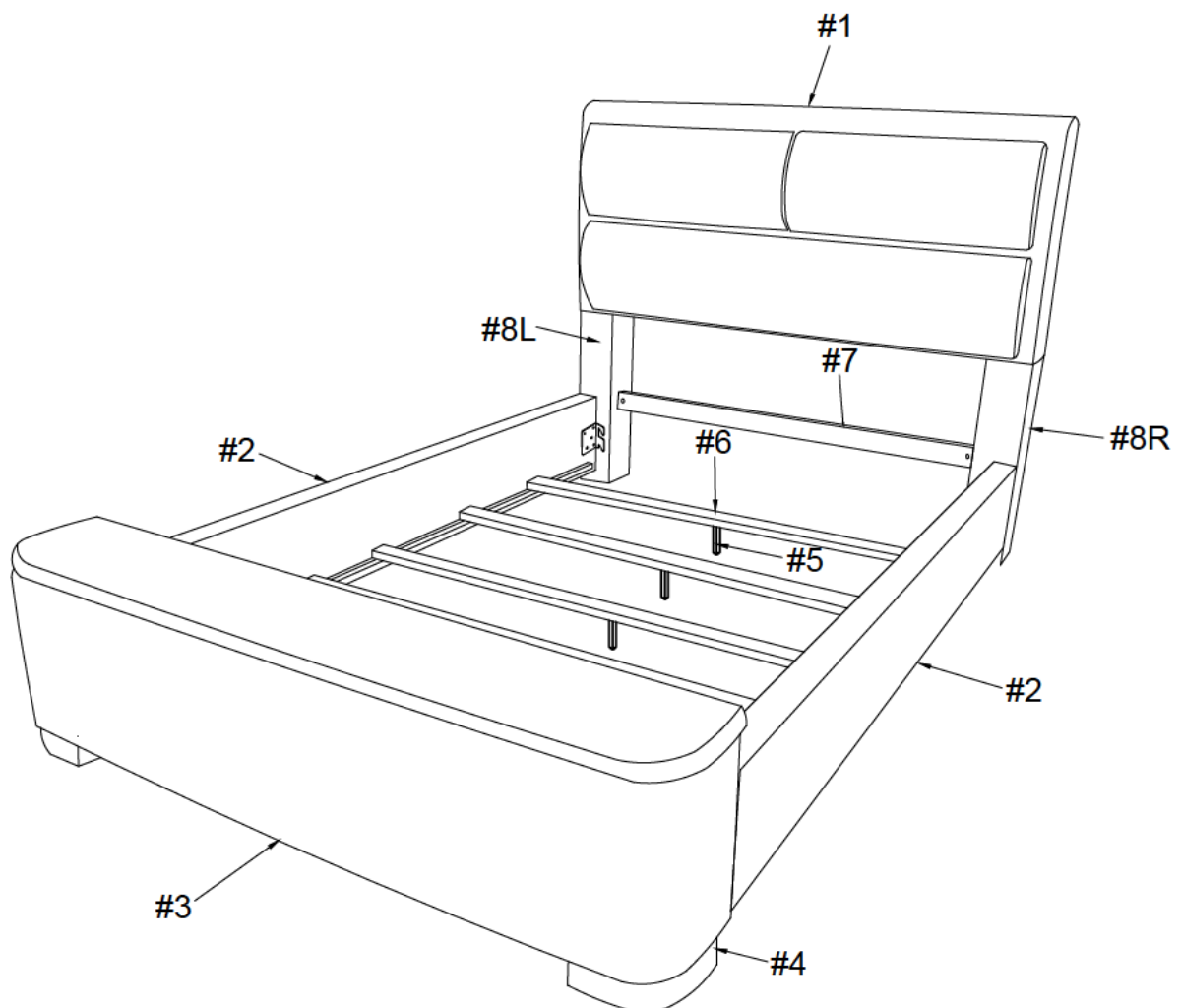
Wrench

#K 2pcs



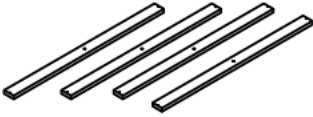


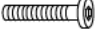
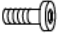







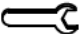


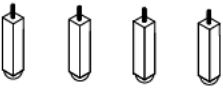
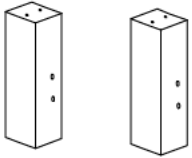


Connecting iron

Exploded View



CM7245Q/F/T is packed in 3 cases

Carton	Disignation	Part	Hardware
CM7245Q/F/T -HB	Headboard		
CM7245Q/F/T -R	Side Rail (2pcs)		
	Slat (4pcs)		
	HB Support Rail		
CM7245Q/F/T -FB	Footboard		 #A x 8pcs  #B x 6pcs  #C x 18pcs  #D x 14pcs  #E x 4pcs  #F x 1pc  #G x 4pcs  #H x 4pcs  #I x 14pcs  #J x 1pc  #K x 2pcs
	Foot board Leg (2pcs)		
	Support leg (4pcs)		
	Head board leg (2pcs)		

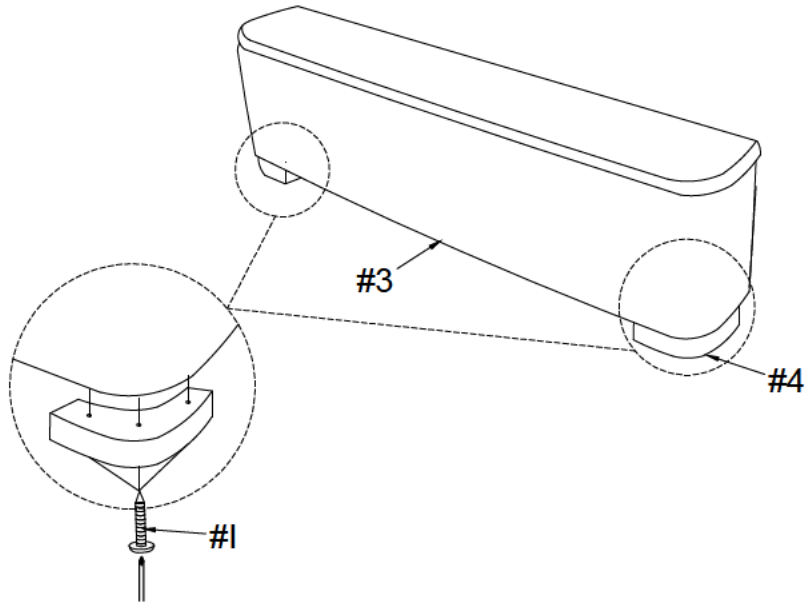
ASSEMBLY INSTRUCTIONS

1

Part #3 x1pc

Part #4 x2pcs

Hardware #I x6pcs



2

Part #1 x1pc

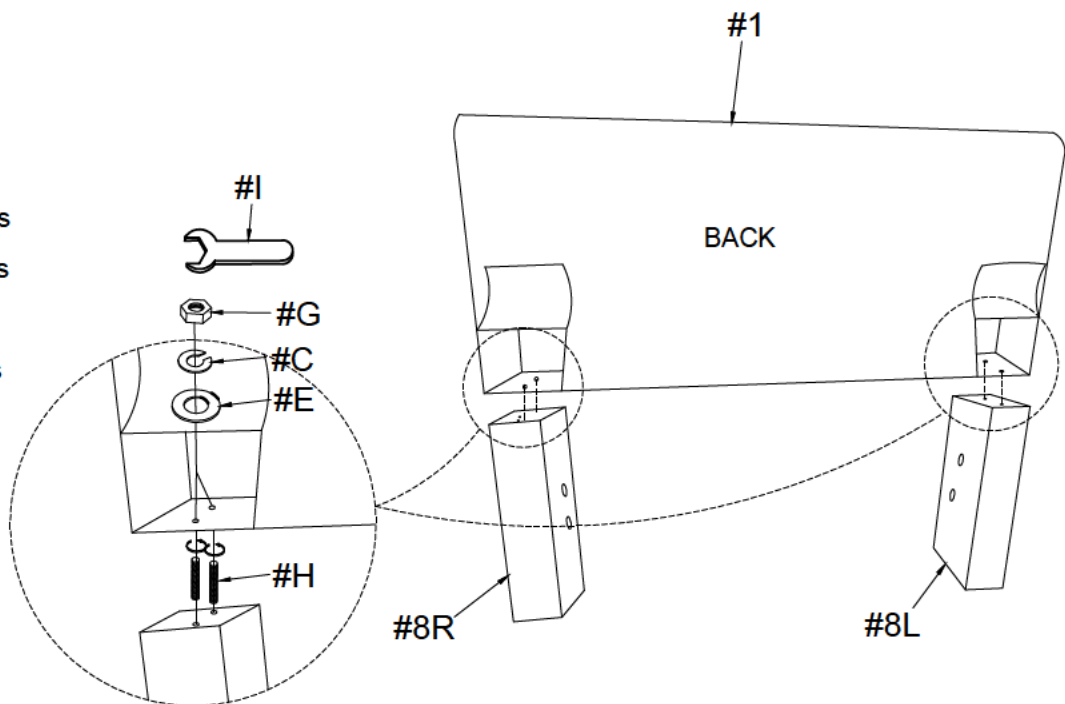
Part #8 x2pcs

Hardware #C x4pcs

Hardware #E x4pcs

Hardware #H x4pcs

Hardware #G x4pcs



ASSEMBLY INSTRUCTIONS

3

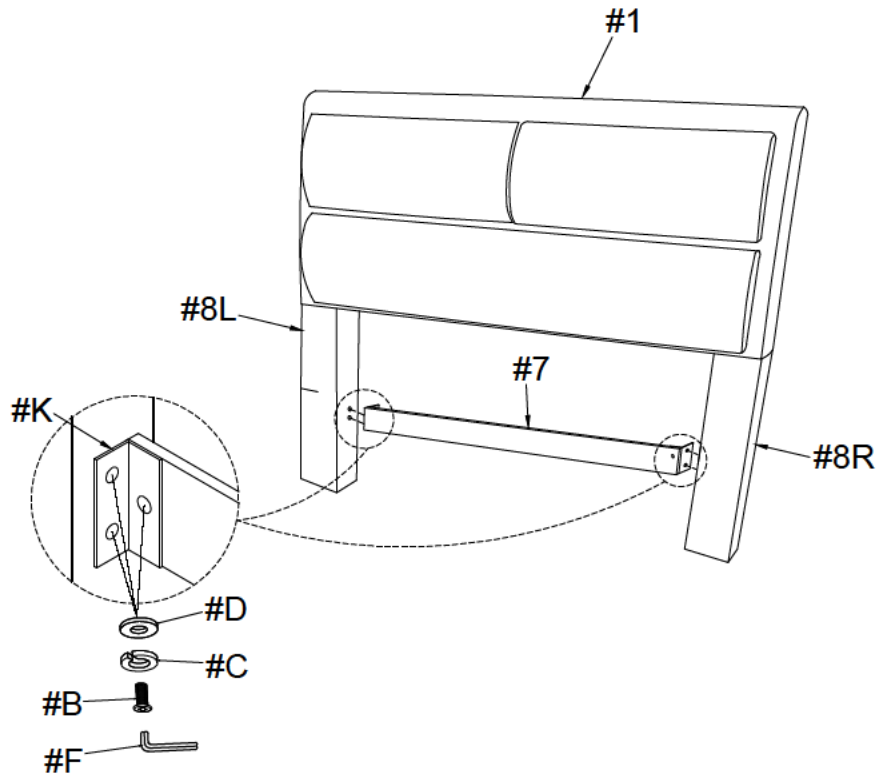
Part #7 x1pc

Hardware #B x 6pcs

Hardware #C x 6pcs

Hardware #D x 6pcs

Hardware #K x2pcs



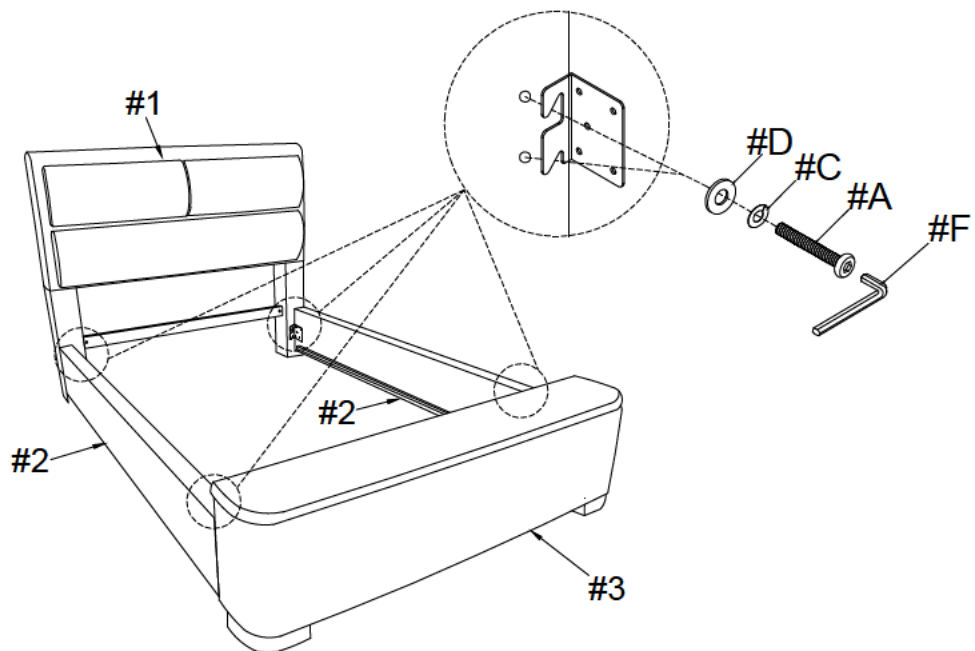
4

Part #2 x2pcs

Hardware #A x8pcs

Hardware #C x8pcs

Hardware #D x8pcs

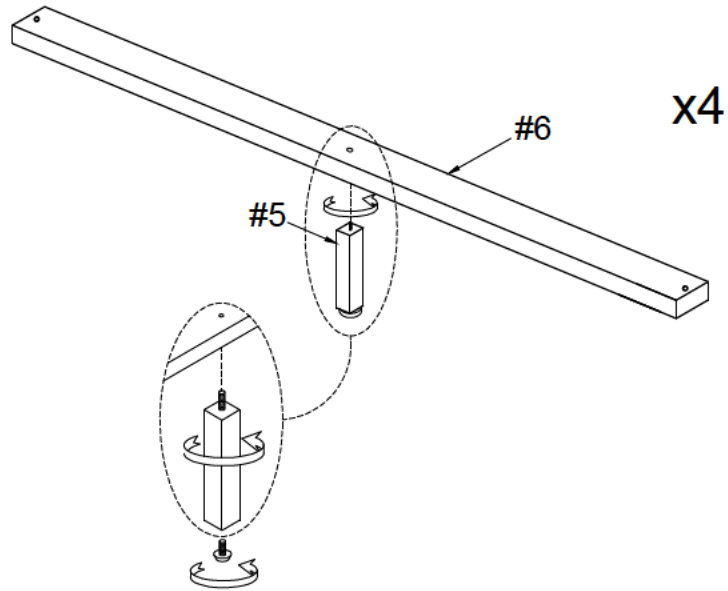


ASSEMBLY INSTRUCTIONS

5

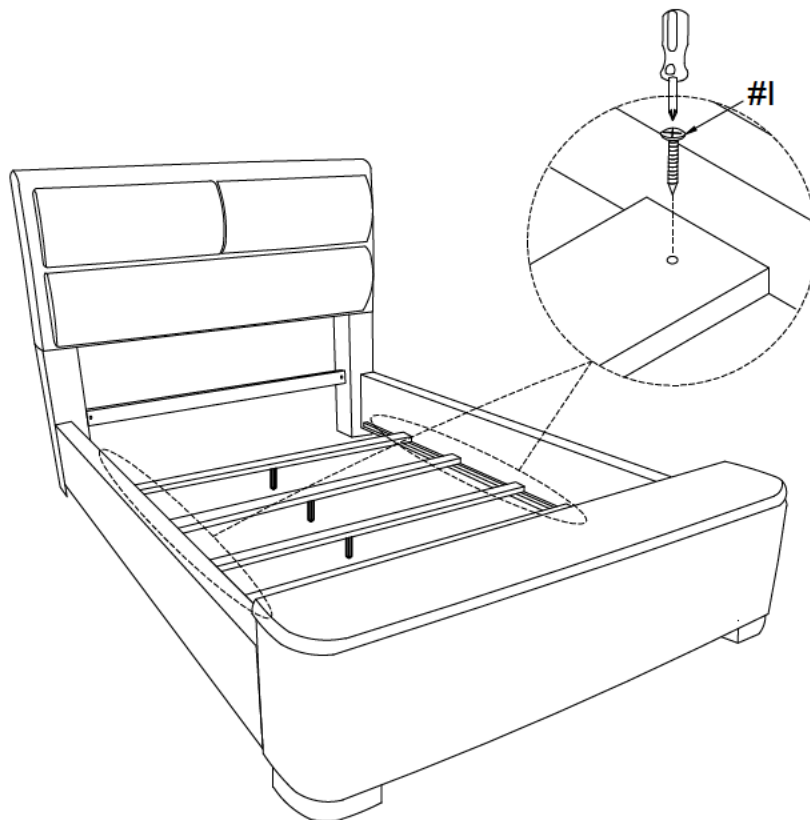
Part #5 x1pc

Part #6 x1pc



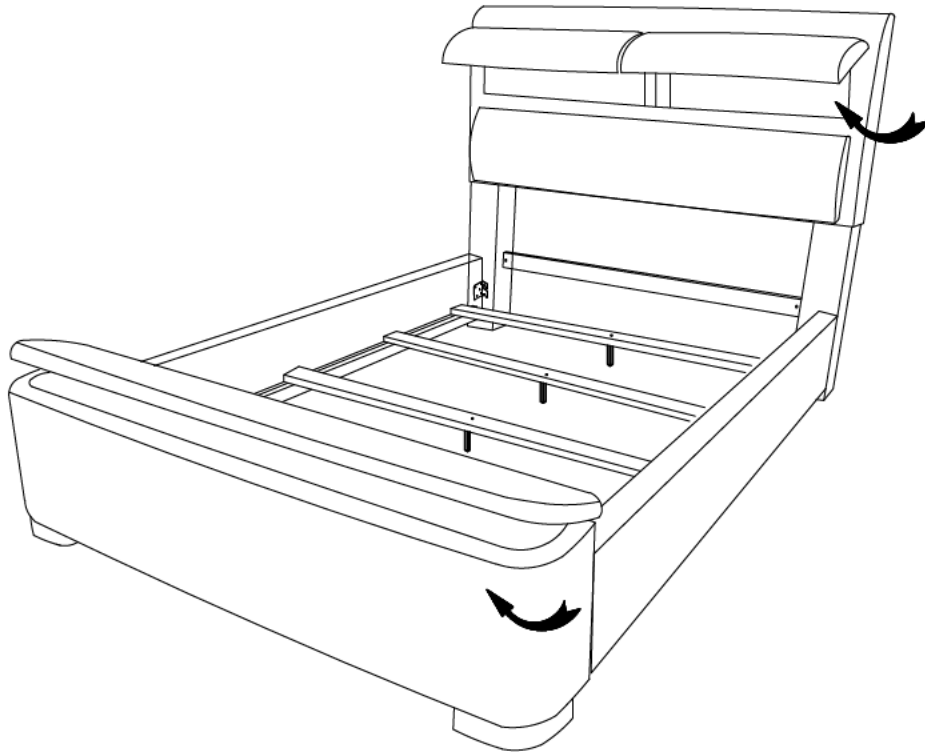
6

Hardware #1 x8pcs



ASSEMBLY INSTRUCTIONS

7



ASSEMBLY COMPLETED



Please ensure the furniture rests on an even and flat surface. If the product wobbles or feels loose, double-check all bolts and/or screws are properly tightened and secured.



Keep this handy!

Please retain this instruction manual and any order-related information for future reference.



Lift, don't drag!

To avoid damage to product please always LIFT the product when transporting or adjusting the placement.