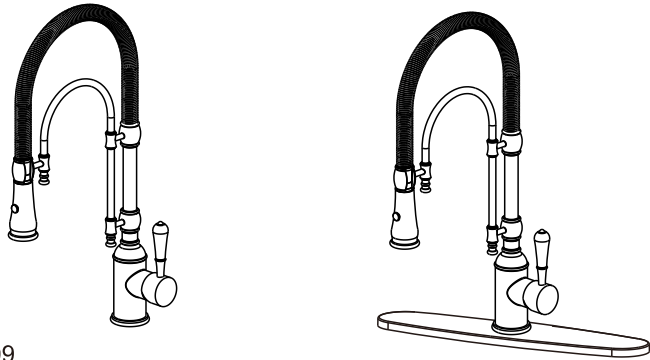


Installation instructions



Kb122009

You may need



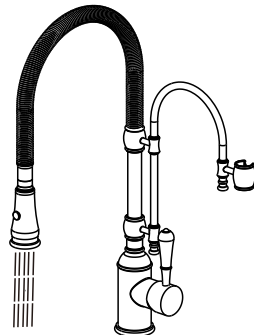
For easy installation of your faucet you will need:

To READ ALL the instructions completely before beginning.

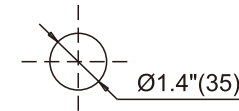
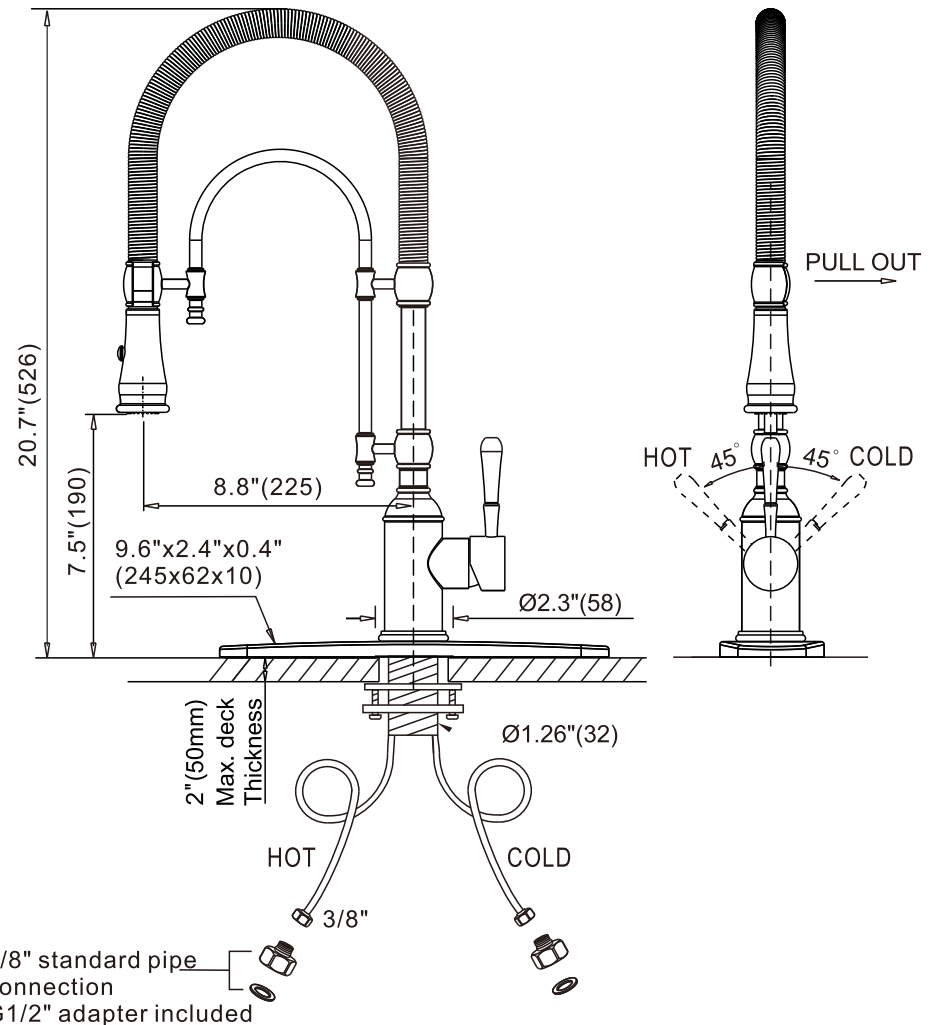
To READ ALL warnings, care, and maintenance information.

Cleaning and Care

Care should be given to the cleaning of this product. Although its finish is extremely durable, it can be damaged by harsh abrasives or polish. To clean, simply wipe gently with a damp cloth and blot dry with a soft towel.

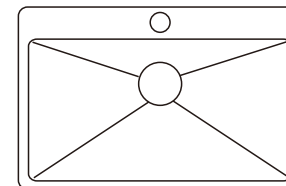


TURN UP:
Standard Flow Aerator
TURN DOWN: Spray
water flow pattern
changed to flow aerator
when the water is turned OFF.

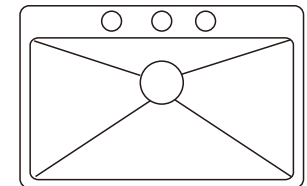


unit: inch (mm)

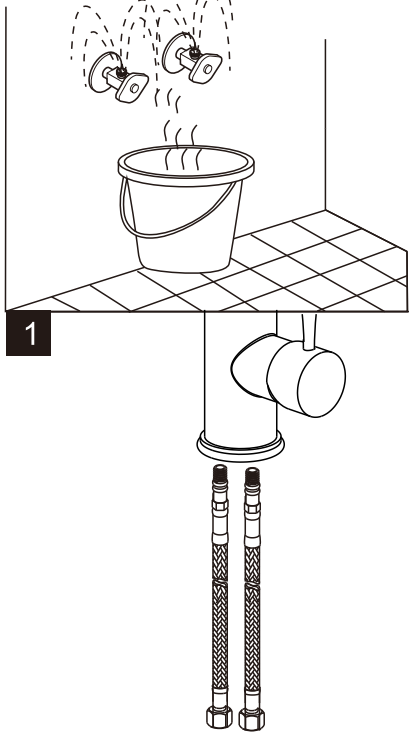
single-hole



3-hole



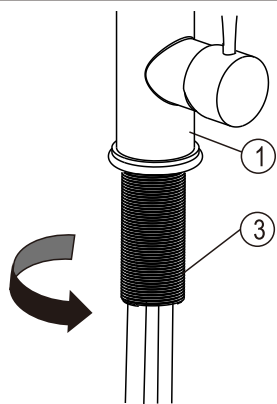
Before installing the valves, clean the water pipe thoroughly to avoid dirt and deposits.



1

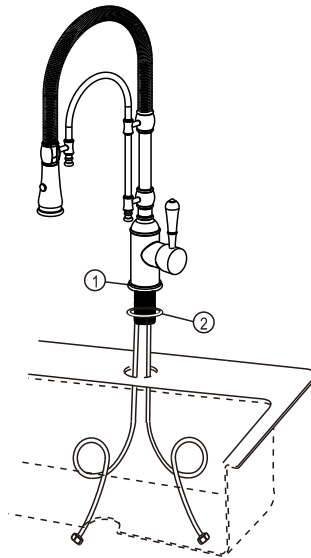
Attach flexible hoses under the faucet body.

2



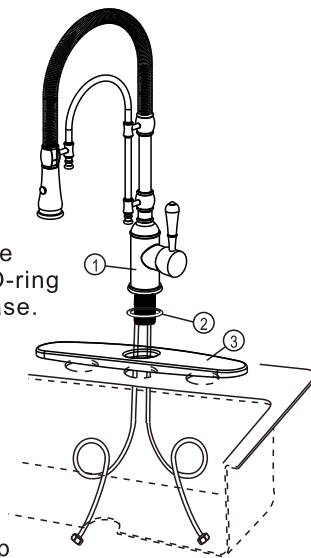
1. Make sure fasten the thread pipe(3) to the base of the faucet body clock-wise.

3.A



1. Make sure attach the O-ring(2) to the base.

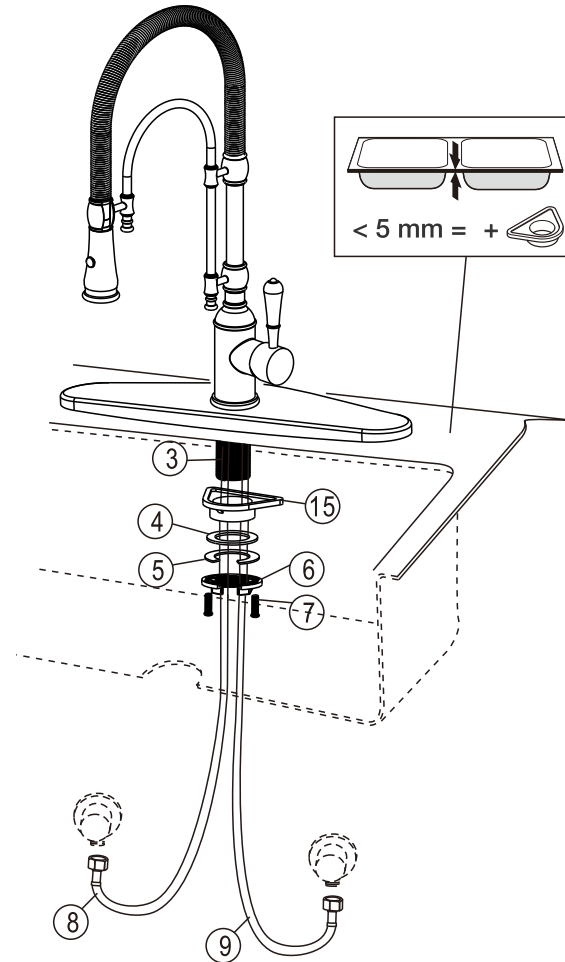
3.B



1. Make sure attach the O-ring (2) to the base.

2. Slide 9.6" decorated plate with gasket(3) up over tubes and mounting stud. Slide tubes down through mounting hole and faucet, 9.6" decorated plate with gasket on sink.
Option: If sink is uneven, use silicone under the gasket.

4



1. Use the triangle fastener(15) when the thickness of sink <5mm.
2. Place Triangle fastener (15) and washer(4) and metal plate(5) over mounting stud(3) under sink. Secure with mounting nut(6), tighten the screws(7) to fix the faucet body.
3. Attach supply hot(8) and cool lines(9).
4. If the angle is G1/2", please use G3/8" standard pipe connection G1/2" adapter included (10).
Do not overtighten. Turn water back on.