

# ASSEMBLY INSTRUCTIONS

PLEASE KEEP THIS FOR FUTURE REFERENCE

## SCREEN MOUNTING SYSTEM

**30 mins**

APPROXIMATE ASSEMBLY TIME



2 PERSON ASSEMBLY

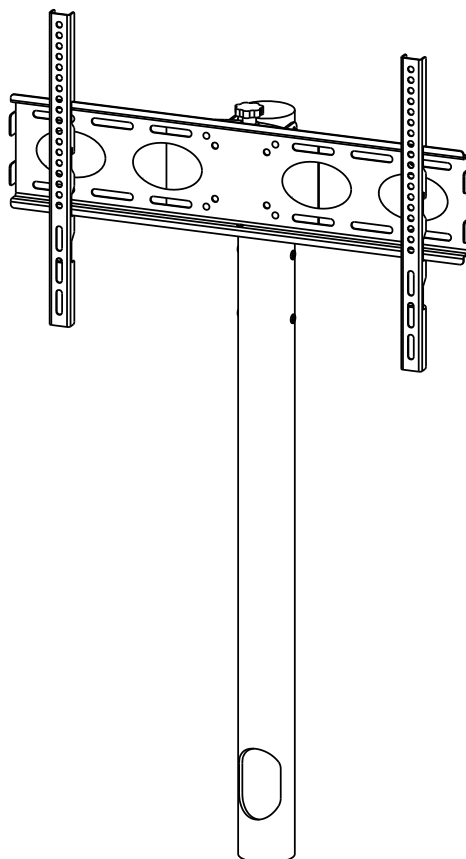
FLOOR AREA  
2.0M X2.0M



REQUIRED ASSEMBLY SPACE

### COMPATIBLE MODELS

S Y S T E M C O M P A T I B L E



## **Top Tips before you start!**

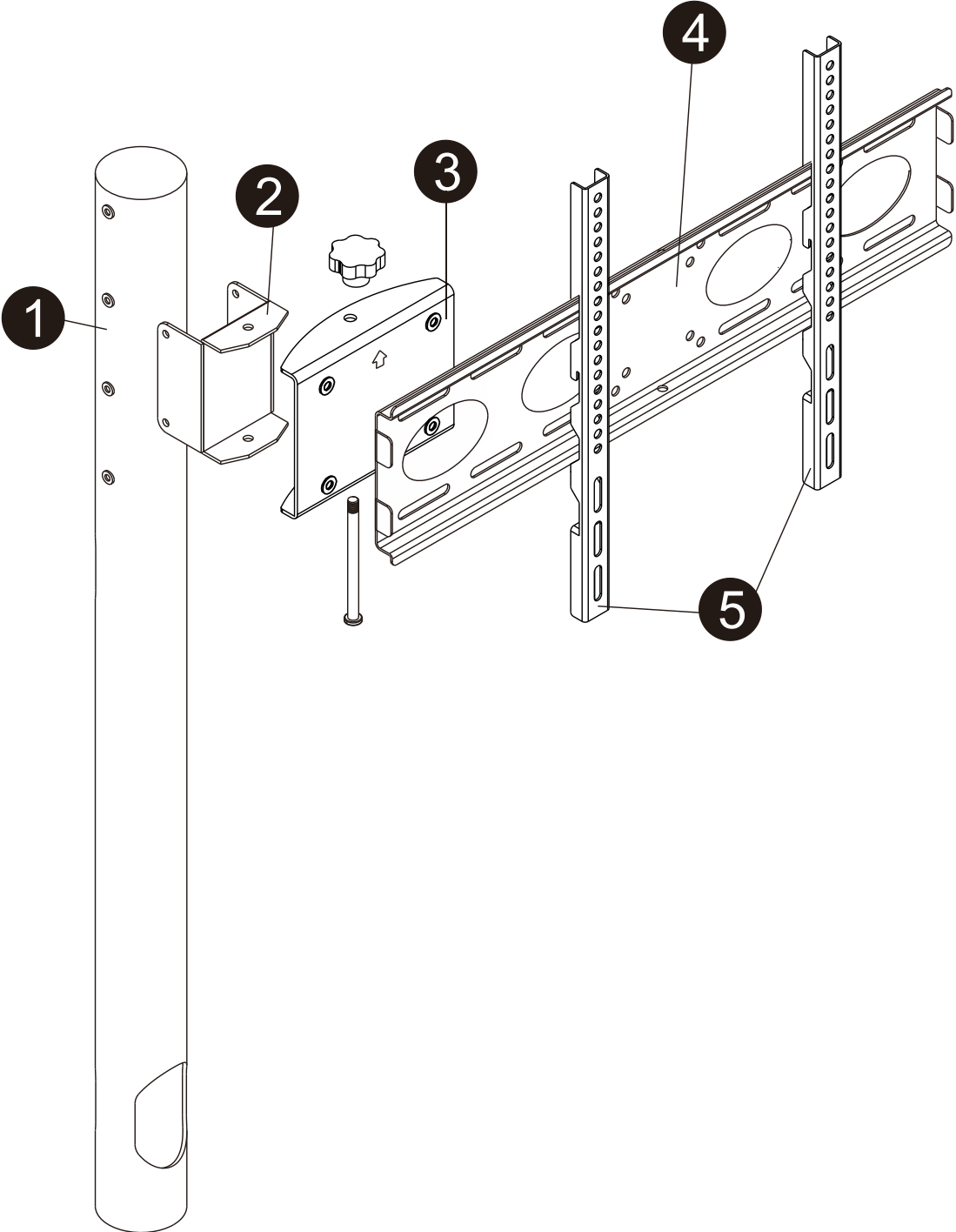
1. Please check that all parts are present before you start the assembly of your furniture.
2. For ease and speed of assembly, we recommend that before you commence each step of the assembly, that you identify all the parts required for that step.
3. For larger items, please ensure that you have sufficient space and people ( as indicated on page 1) to assemble your product safely
4. We recommend that, where possible, all items are assembled near to the area in which they will be placed in use, to avoid moving the product unnecessarily once assembled.
5. For the protection of your furniture, particularly items of high gloss finish, we recommend that the product is placed on a protected surface during assembly to prevent any damage.
6. During assembly please take care not to over-tighten any fittings, as this may damage the product.

## **Care and Maintenance of your Furniture**

- Please periodically check all fittings and re-tighten as necessary.
- Please do not sit or stand on this item.
- Never allow any kind of liquid to remain on your furniture, Absorption can cause wood to warp or finishes to de-laminate
- Please do not drag and pull your furniture.
- If the glass is chipped or broken, stop using the product and consult the manufacturer or supplier.
- Please do not place very hot or very cold items on the glass surface, unless adequately thick table mats are used to prevent such items from coming into contact with the glass.
- Please do not use the glass as a chopping surface. Do not strike the glass with hard or pointed items.
- When cleaning glass panels use a damp cloth or leather with washing up liquid or soft soap if necessary, do not use washing powders or any other substances containing abrasives since these substances scratch glass.
- The glass used in this product is toughened and complies with BS EN 12150-1:2000, clauses 8.3 & 8.4

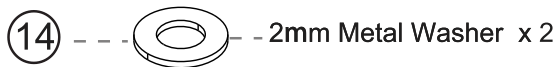
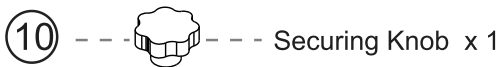
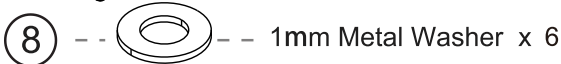
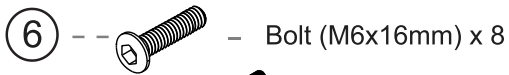
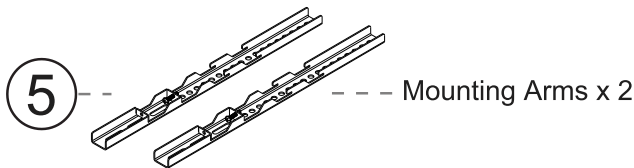
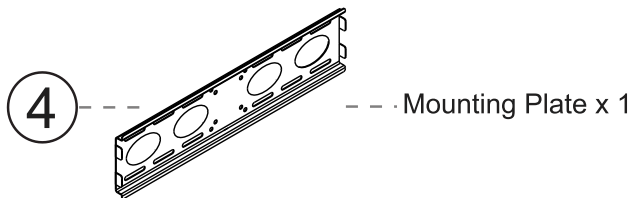
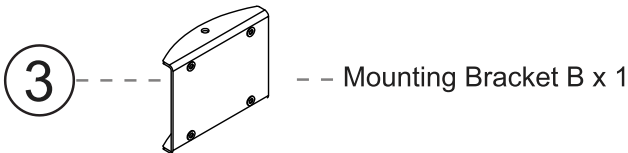
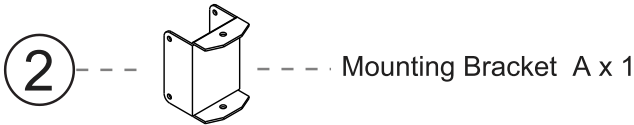
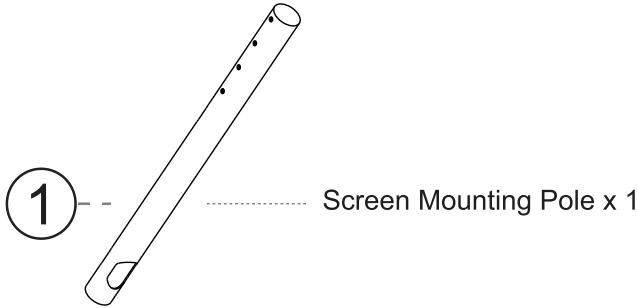
# SCREEN MOUNTING SYSTEM

## EXPLODED VIEW

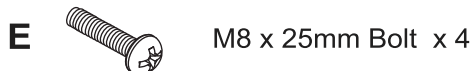
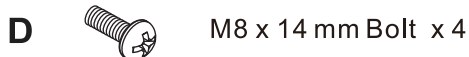
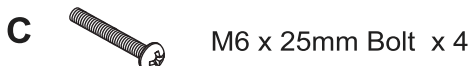
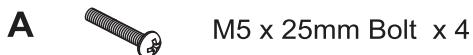


# SCREEN MOUNTING SYSTEM

## Parts List



## Screen Mounting Fixings

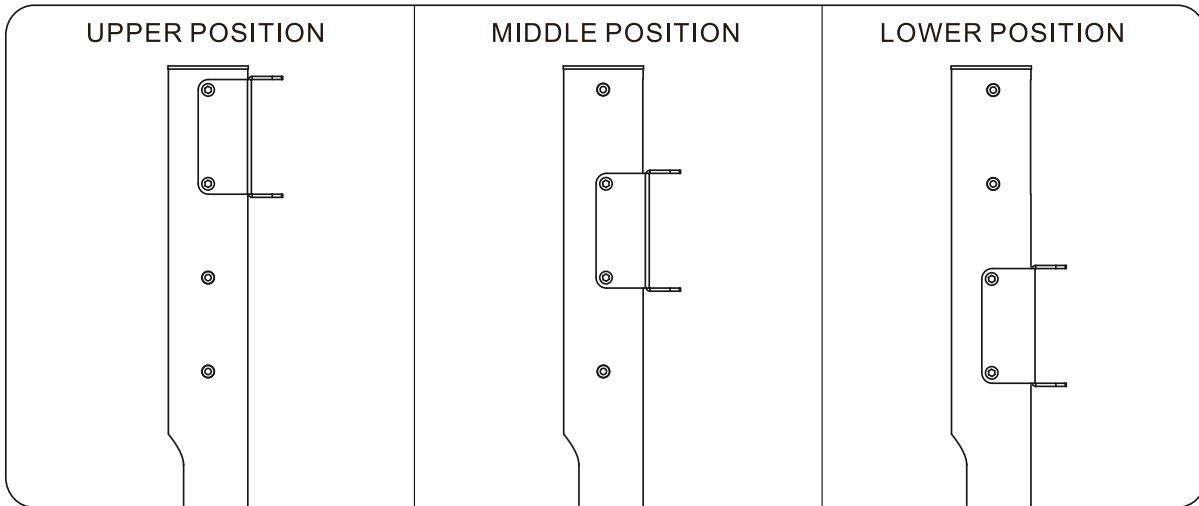


# SCREEN MOUNTING SYSTEM

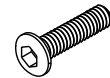
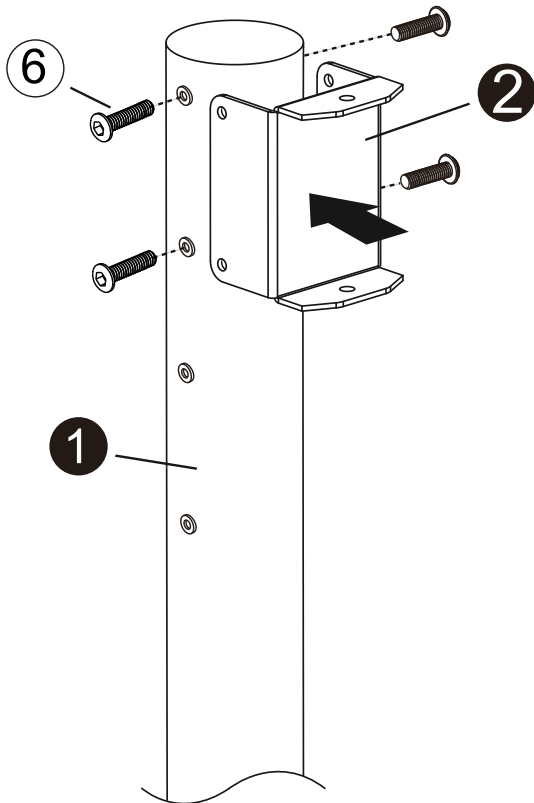
PLEASE REFER TO THE ASSEMBLY INSTRUCTIONS SUPPLIED WITH THE HYBRID COMPATIBLE CABINET FOR INSTRUCTIONS ON HOW TO SECURE THE MOUNTING POLE TO THE CABINET

## STEP 1

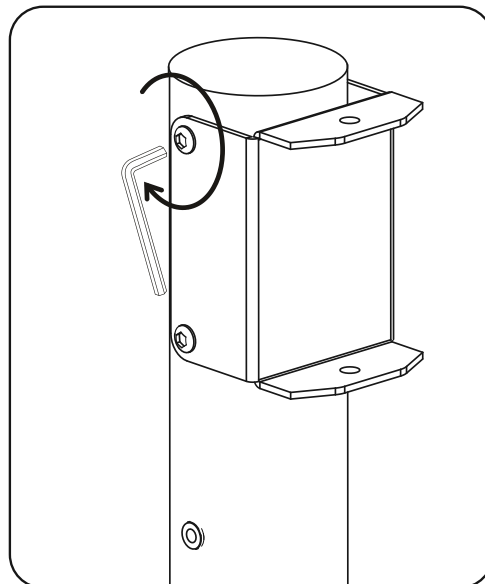
The System allows for 3 different height positions to ensure your TV Screen can be mounted at the perfect height. Please refer to the diagram below to establish which position best suits your TV Screen set up.



NOTE: FOLLOWING DIAGRAMS SHOW MOUNTING BRACKET 1 IN UPPER POSITION

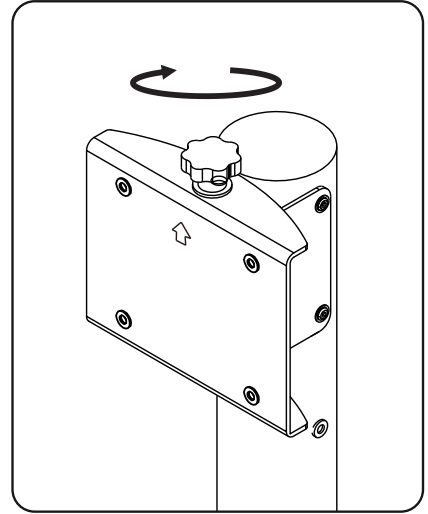
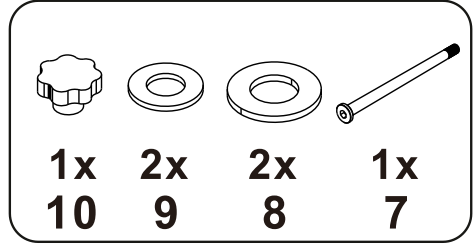
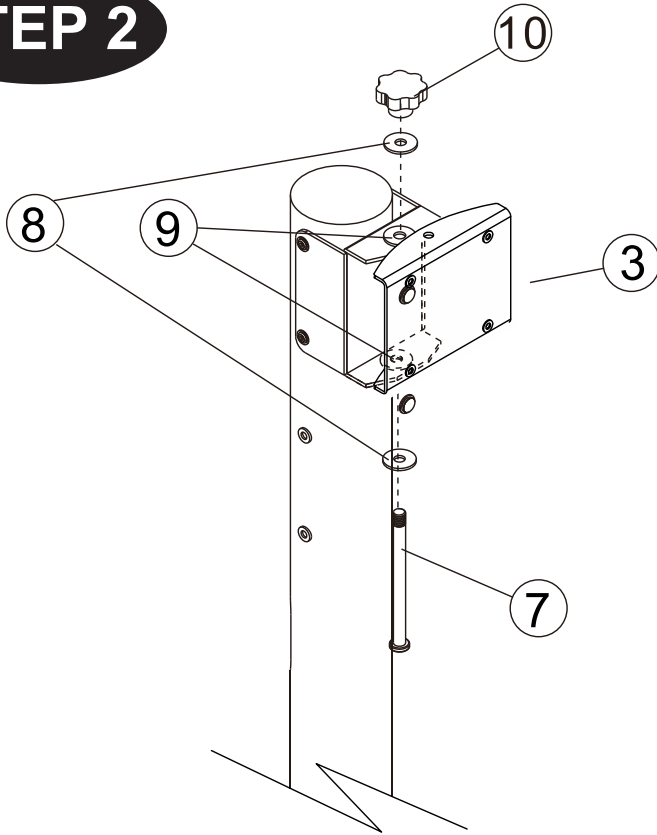


4x  
6

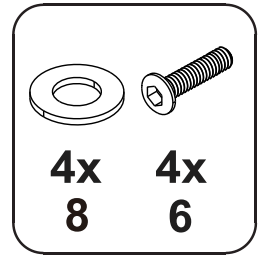
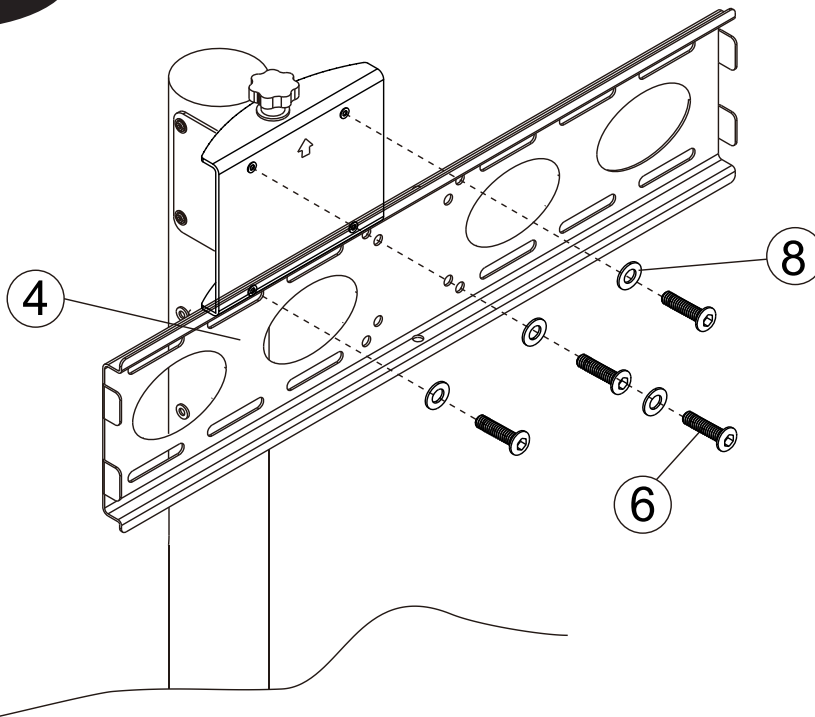


# SCREEN MOUNTING SYSTEM

## STEP 2



## STEP 3

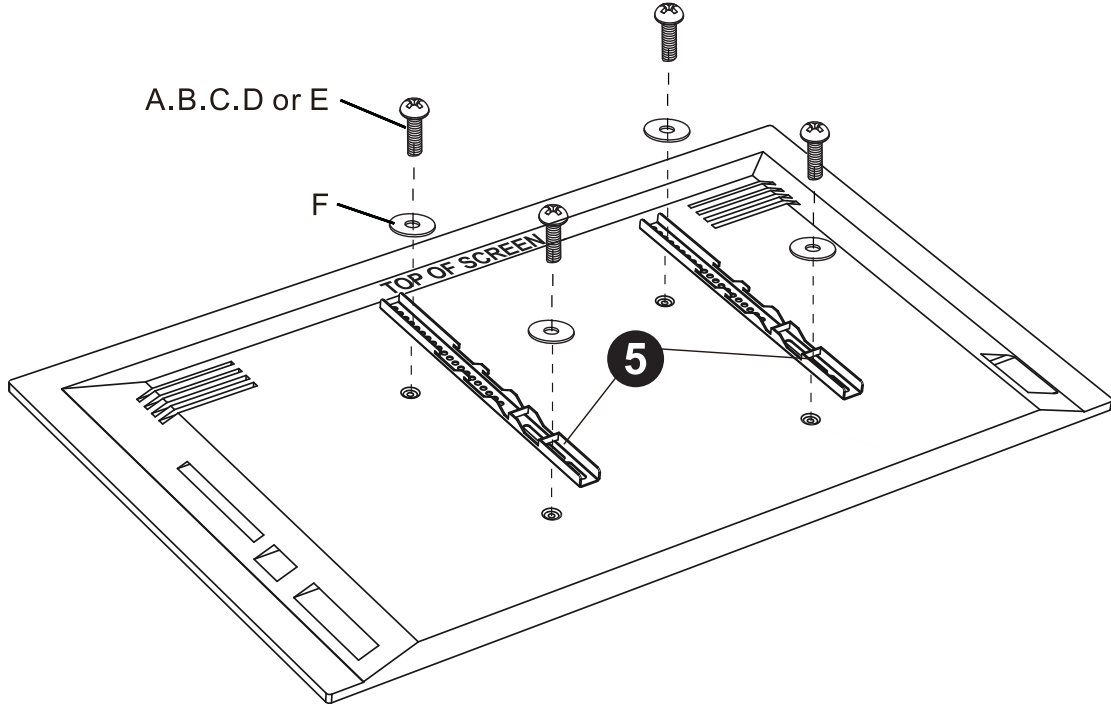


# SCREEN MOUNTING SYSTEM

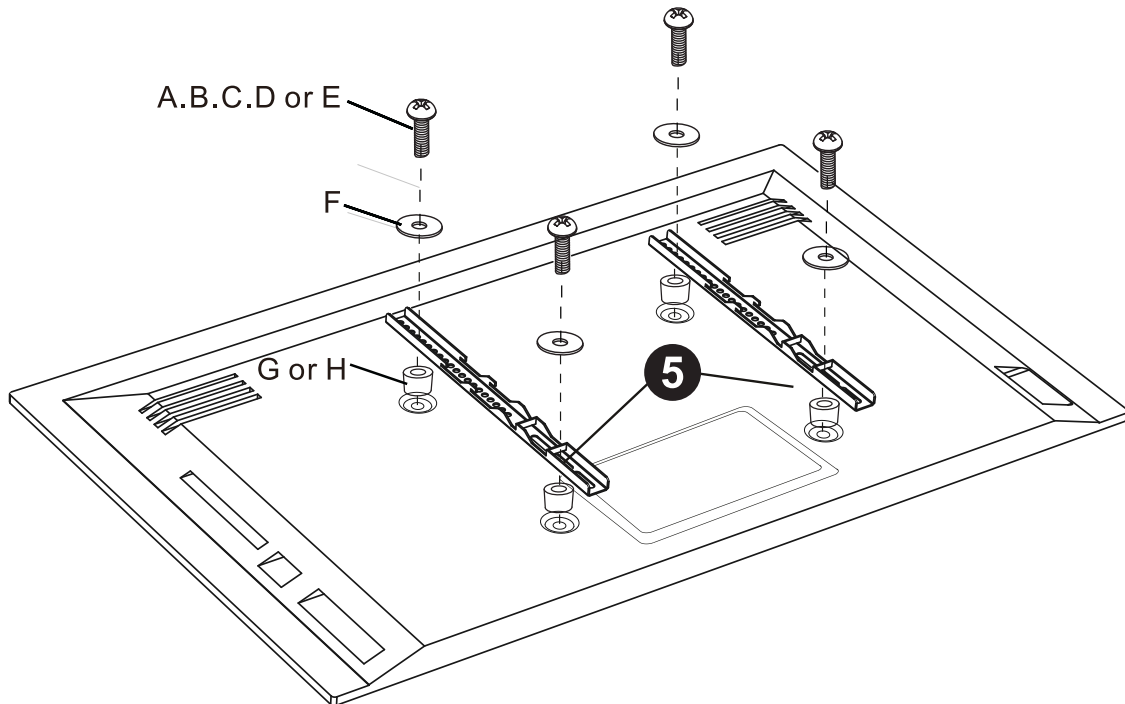
## STEP 4

PLEASE SELECT THE SCREEN MOUNTING SCREWS WITH GREAT CARE ENSURE THE BOLTS USED ARE NOT ABLE TO PROTRUDE MORE THAN 10mm INTO THE THREADED SECTION OF THE MOUNTING POINT IN THE BACK OF THE TV SCREEN.

### MOUNTING BRACKETS TO A TV SCREEN WITH A FLAT BACK



### MOUNTING BRACKETS TO A TV SCREEN WITH A CURVED BACK, RECESSED INSERTS OR OTHER OBSTRUCTION

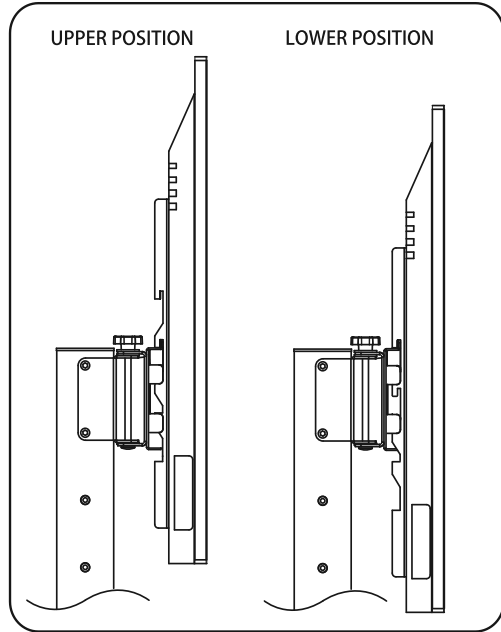
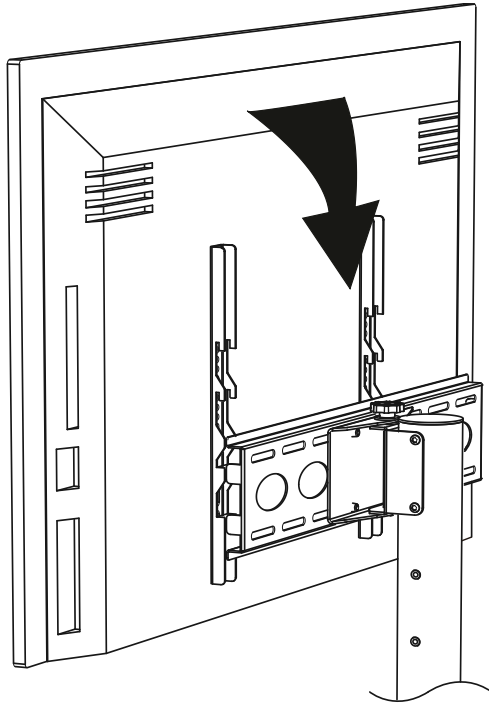


# SCREEN MOUNTING SYSTEM

## STEP 5

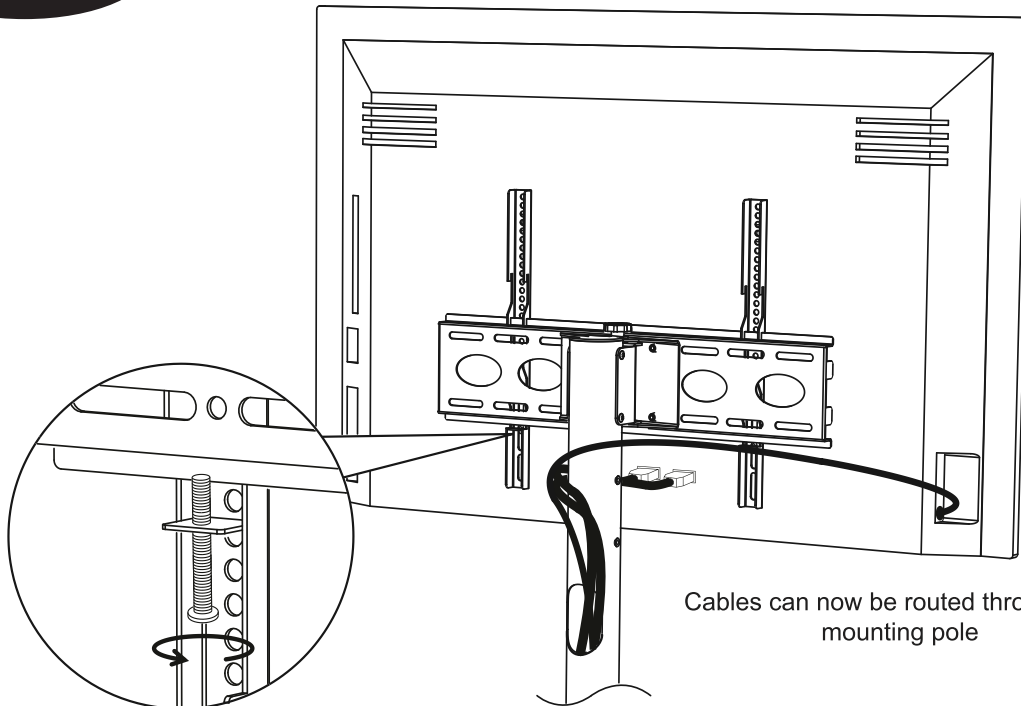
Two persons are required to fit screen to stand

THE MOUNTING ARMS HAVE 2 HEIGHT POSITION OPTIONS. SELECT THE POSITION THAT BEST SUITS YOUR TV SET UP



## STEP 6

SECURE THE TV SCREEN BY TIGHTENING THE 2 BOLTS ON THE MOUNTING ARMS



Cables can now be routed through the mounting pole