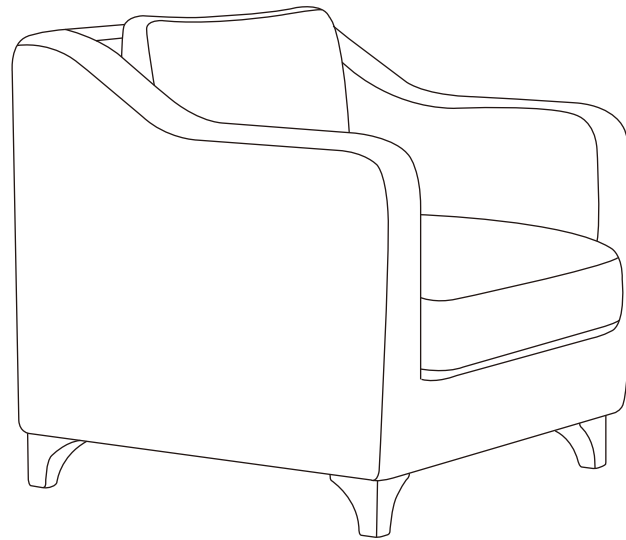


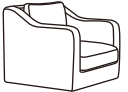





ASSEMBLY INSTRUCTIONS.

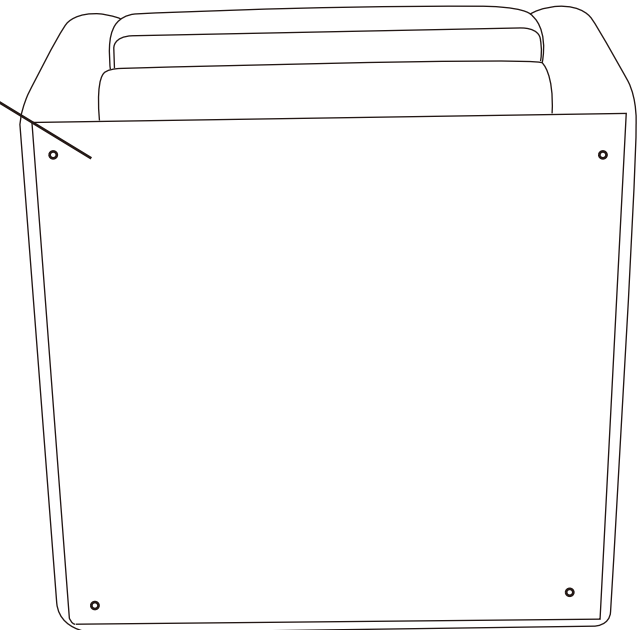
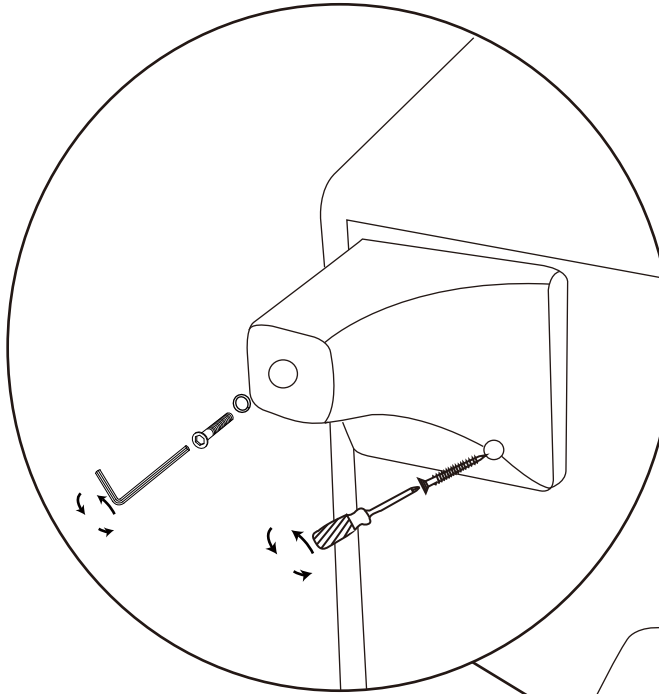


THANK YOU FOR YOUR PURCHASE!

PARTS AND HARDWARE.

PARTS LIST

No.	DESCRIPTION	IMAGE	Q'TY
P1	BODY		1
P2	LEGS	 4*4*4"	4
P3	SCREWS	 M8*90MM	4
P4	SCREWS	 M4*40MM	4
P5	WASHERS	 M8	4
P6	SPANNER		1



NOTES.

Thank you for purchasing this quality product!
Be sure to check all packing material carefully for small part that may have come loose inside the carton during shipping.

CAUTION: The item is heavy, assembly should be performed by two people.