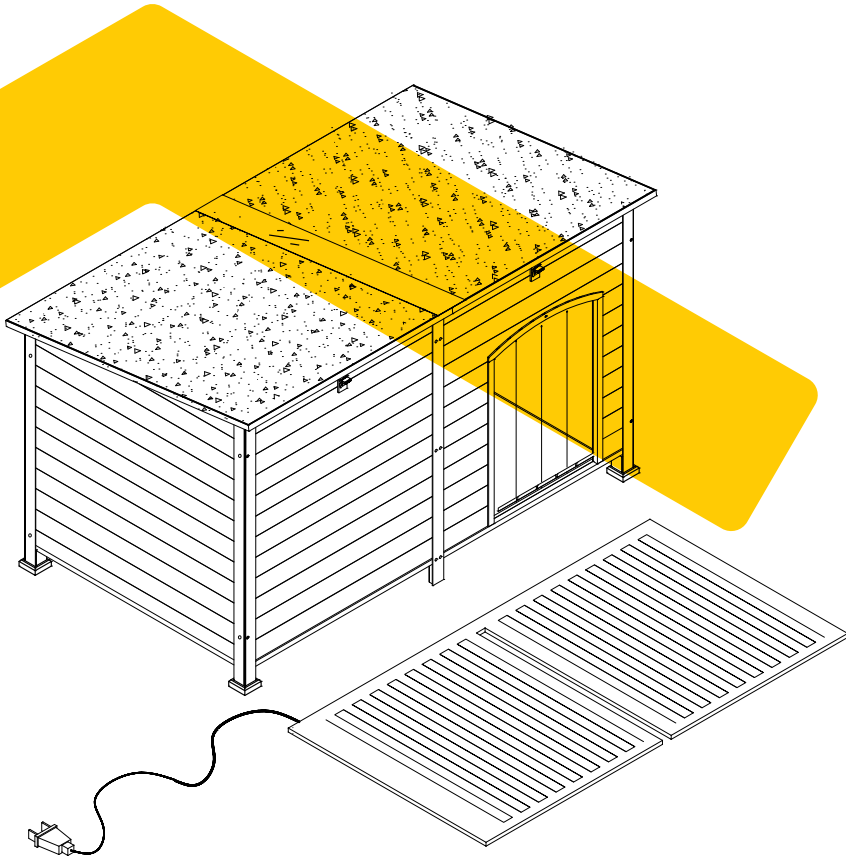


INSTRUCTION MANUAL

AIR 63-IN-HP

AIR 64-IN-HP





NOTICE

Please retain these instructions for future reference.

- Firmly secure all bolts, screws, and knobs before use.
- Check that all bolts, screws, and knobs are secure every 90 days.
- Fasten screws loosely during initial assembly. Do not fully tighten them until the item is completely assembled.
- Do not use or store this item near open flame or flammable materials.
- Be aware that some parts are heavy and have sharp edges.
- Be aware that moving parts may cause injury, crushing, or cuts.
- If any parts are missing, broken, damaged, or worn, stop using this product until repairs are made or replacement parts are installed.
- Do not use this item in a way inconsistent with the manufacturer's instructions, as this could void the product warranty.

PET HEATING MAT USER'S GUIDE

Precautions

- Please read the following instructions before using our product.
- Unplug it when you are not using it. / Unplug it when not in use.
- Do not use if there is any visible damage, such as cracks, tears, or blistering.
- The pet heating pad must be immediately turned off and unplugged when it overheats or a charred smell is released.
- Do not make any modifications to the plug, wires and heating element.
- Do not use another electronic heating device in conjunction with your heating pad.
- Please only use it in conjunction with a pet bed. Do not cover anything on the heating mat.
- Don't pull the cord with your hand.
- Do not puncture or use any sharp object to secure the pad in place.

How to Use

- Make sure that the mat is plugged into a safety - tested electric outlet.
- **Turn On:** The mat will be turned on when it is plugged. It works in the medium - temperature range (35~45°C / 95~113°F).
- **Turn Off:** Unplug the mat.
- **Clean:** It must be dry before reassembling the unit. Wipe the pad clean with a damp cloth or sponge. Do not use cleaners or chemicals.
- **Storage:** Put away the heating mat, and store it in a dry, safe, clean, and cool place after cleaning it up.

KEEP THE SHIPPING PACKAGE for use in the event that your unit needs servicing (If this unit is shipped without the original package, the damage could occur and void the warranty)

PRE-OPERATING INSTRUCTIONS When removing the unit from the package, please inspect it for any shipping damage. You should contact your shipper and dealer immediately if the unit bears any sign of damage from mishandling.

Contents

One Heating Mat, Instructions

Product Features

- Consistent temperature
(35°C/95°F to 45°C/113°F)
- Overheat protection
- Fuse inside of the controller
- Built-in thermostat
- Fully waterproof enclosure
- Chew-resistant metal-reinforced cord
- Flexibly fits most pet beds

Legal Disclaimer

The information and specifications contained in this product manual are for general reference only. While we make every effort to ensure the accuracy and completeness of the information in this manual, we do not warrant or guarantee its accuracy or suitability for any particular purpose. Therefore, we disclaim all liability and responsibility arising from any reliance placed on such information and specifications by you or any other party.

This product is intended for use only as described in this manual. Any other use, modifications, or alterations not approved by us may result in the product not functioning properly and may be dangerous.

We reserve the right to make changes to the product specifications, functions, or features at any time without notice.

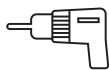
This product manual is provided "as is" without warranty of any kind, either express or implied, including but not limited to the implied warranties of merchantability and fitness for a particular purpose. In no event shall we be liable for any direct, indirect, incidental, special, or consequential damages arising out of or in connection with the use or inability to use this product.

Please read this manual carefully before using the product. If you have any questions or concerns, please contact us for assistance.

TOOLS REQUIRED //



PHILLIPS
SCREWDRIVER



DRILL
(RECOMMENDED)



2PERSON
ASSEMBLY



APPROXIMATELY
30MIN ASSEMBLY

HARDWARE //

M6.0 x 30 mm screw
12 PCS



P1

M6.0 x 14 mm screw
8 PCS



P2

M3.5 x 60 mm screw
8 PCS + 1 spare



P3

M3.0 x 23 mm screw
3 PCS + 1 spare



P4

M3.0 x 18 mm screw
12 PCS + 1 spare



P5

M3.0 x 16 mm screw
16 PCS + 1 spare



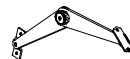
P6

M3.0 x 28 mm screw
3 PCS + 1 spare



P7

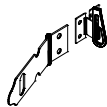
Hinge
1 PC



P8

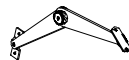
HARDWARE

Lock
2 PCS



P9

Hinge
1 PC



P10

M3.0x14mm SCREW
8PCS+1spare



P11

CARTON 1/2

Back metal bar-left / right
2 PCS



A

Front metal bar-left / right
2PCS



B

Roof connection strip
1PC



U

Back panel-left
1PC



D

Back panel-right
1PC



E

Back connection strip
1PC



F

Side panel-left
1PC



G

Side panel-right
1PC



H

Bottom reinforcement
strip
1PC



I

Bottom pad
4PCS



Q

Front panel-right
1PC



M

Front panel-left
1PC



N

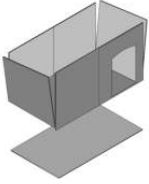
Front connection strip
1PC



O

CARTON 2/2

House insulated liner
1PC



R

The image shows a 3D perspective view of a rectangular, house-shaped insulated liner. It has a flat base and four vertical sides, with a small rectangular cutout on the front side. The entire part is rendered in a light gray color with a fine grid pattern.

Roof-left
1PC



S

The image shows a square, flat roof-left panel. It is rendered in a light gray color with a fine grid pattern and has a slightly raised edge on one side.

Roof-right
1PC



T

The image shows a square, flat roof-right panel, identical to the roof-left panel, rendered in a light gray color with a fine grid pattern.

Plastic feet
4PCS



C

The image shows a single plastic foot, which is a small, rectangular block with a wider base and a narrower top section, designed to support the structure. It is rendered in a light gray color with a fine grid pattern.

Roof insulated liner
2PCS



V

The image shows two rectangular roof insulated liners stacked on top of each other. They are rendered in a dark gray color with a fine grid pattern.

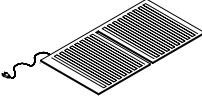
Waterproof Strip
1PC



W

The image shows a long, thin, rectangular waterproof strip with a slightly raised edge on one side. It is rendered in a light gray color with a fine grid pattern.

Heater
1PC



X

The image shows a rectangular heater unit with a grid-like surface and a power cord extending from one side. It is rendered in a light gray color with a fine grid pattern.

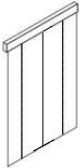
Bottom floor
1PC



P1

The image shows a rectangular bottom floor panel with a grid-like surface. It is rendered in a light gray color with a fine grid pattern.


PVC curtain
1PC



L

The image shows a vertical PVC curtain with a top rail and a bottom hem. It is rendered in a light gray color with a fine grid pattern.

Bottom floor
1PC

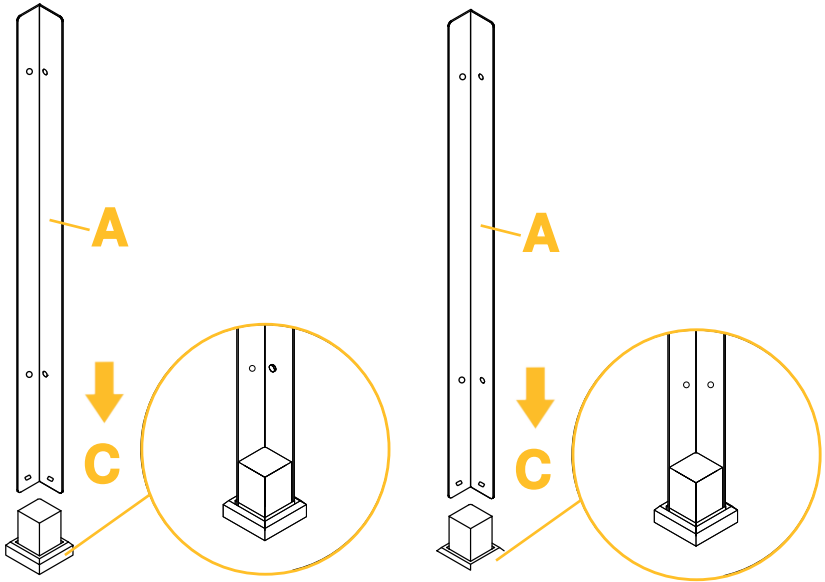


P

The image shows a rectangular bottom floor panel with a grid-like surface, similar to the one in the previous block but with a slightly different orientation. It is rendered in a light gray color with a fine grid pattern.

PRODUCT ASSEMBLY //

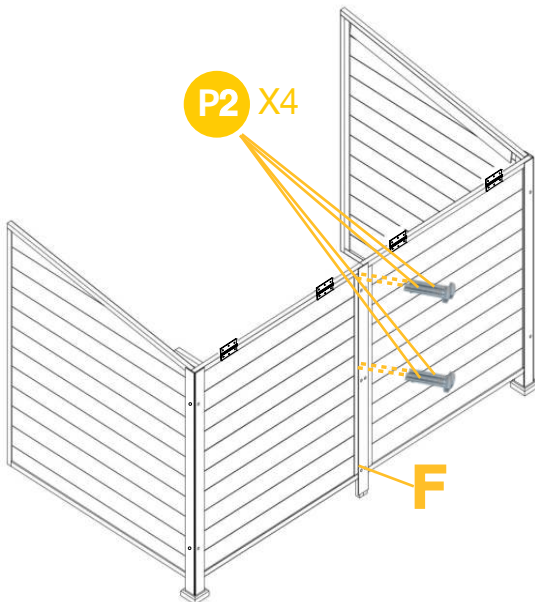
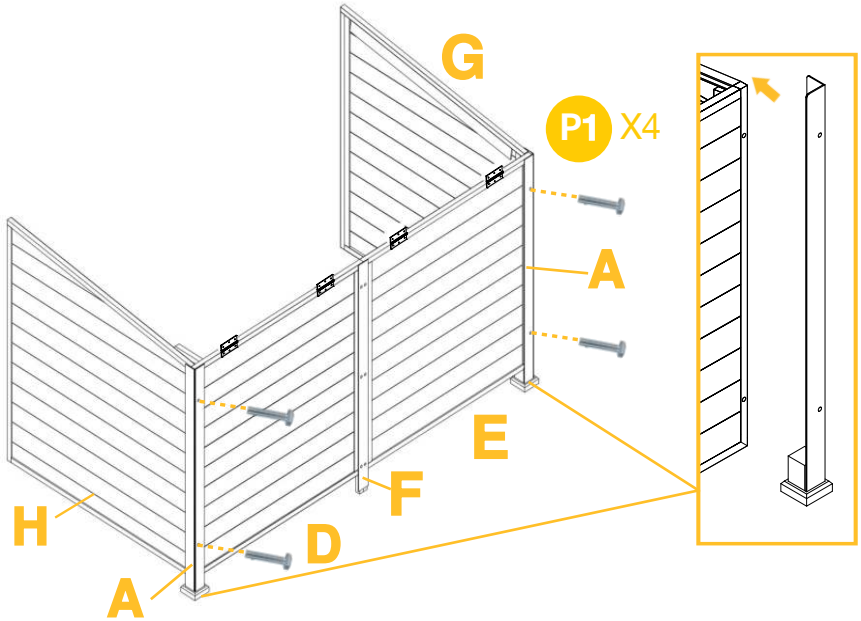
01 Attach the plastic foot Part C to the metal bars Part A with the buckle.



PRODUCT ASSEMBLY //

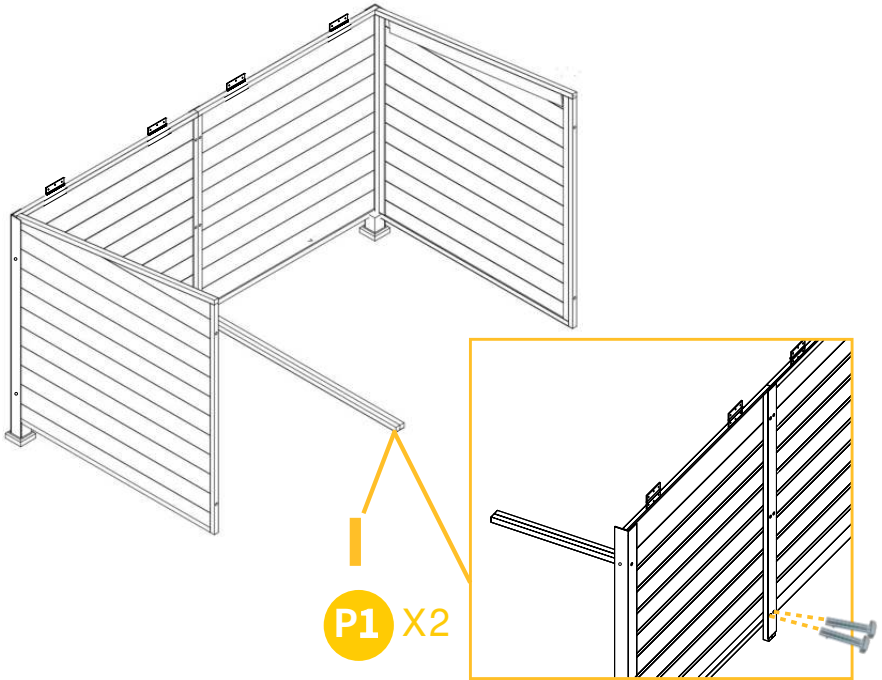
02

- ① Attach the side panel Part H & G to back panel Part D & E, screw the metal bars Part A by 4XP1.
- ② Screw the back connection strip Part F by 4XP2.



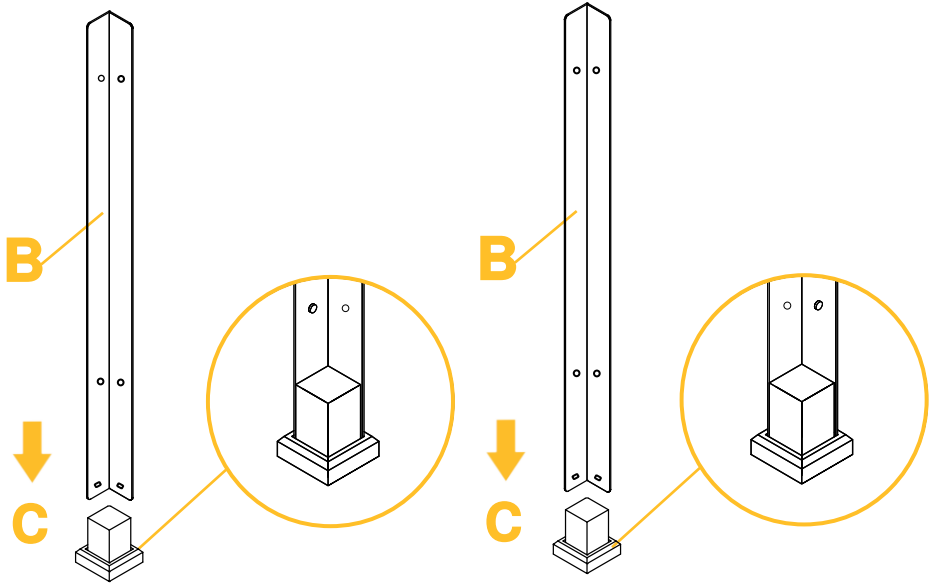
PRODUCT ASSEMBLY //

03 Screw bottom reinforcement strip Part I to back connection strip by 2xP1.

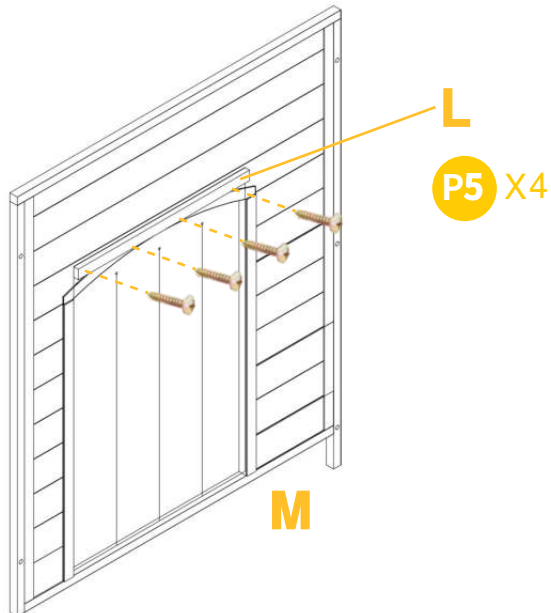


PRODUCT ASSEMBLY //

04 Attach the plastic foot Part C to the metal bars Part B with the buckle.



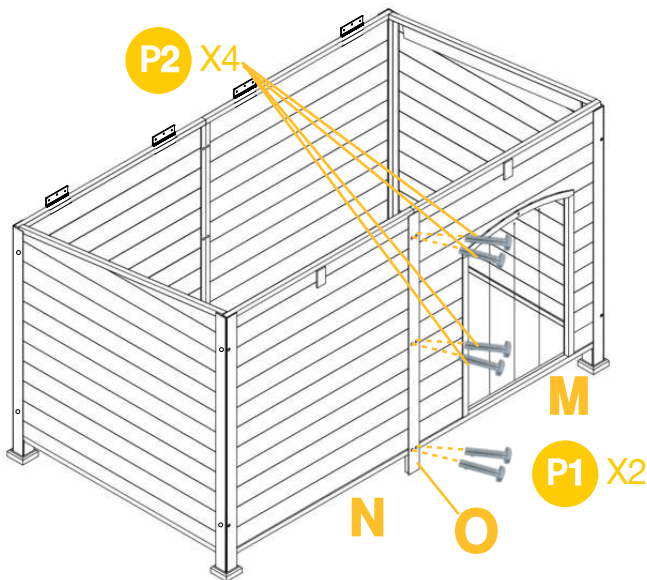
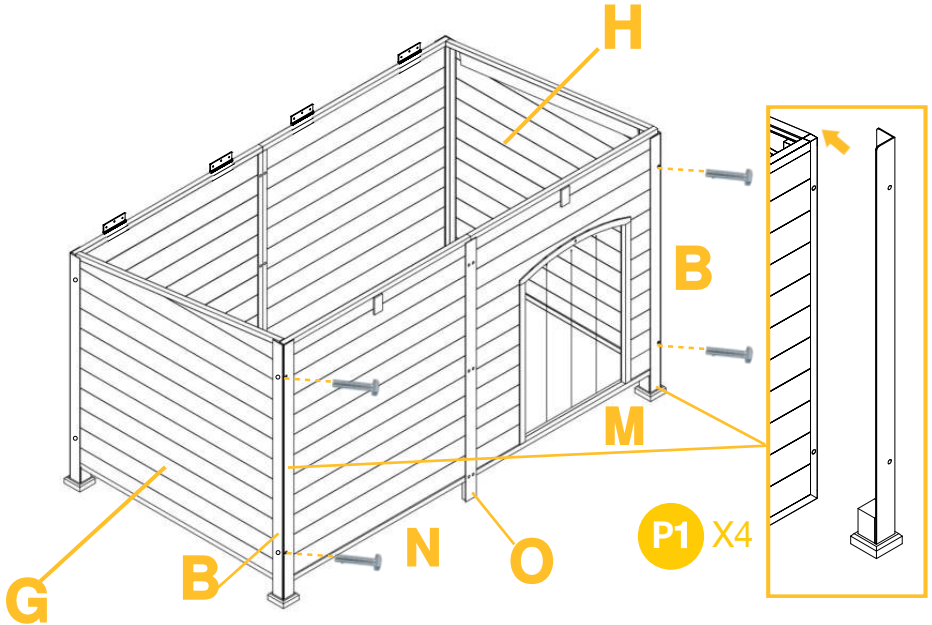
05 Screw the PVC curtain Part L to the INSIDE of Part M by 4xP5.



PRODUCT ASSEMBLY //

06

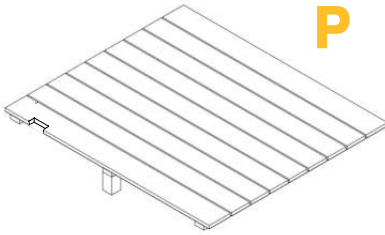
- ① Attach the side panel Part H & G to front panel Part N & M, screw the metal bars Part B by 4XP1.
- ② Screw the front connection strip Part O by 2XP1 & 4XP2.



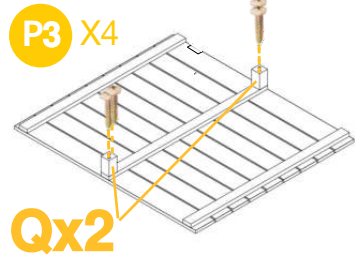
PRODUCT ASSEMBLY //

07 Attach bottom pads Part Q to bottom floor Part P & P1 by 2xP3 each.

Left



P

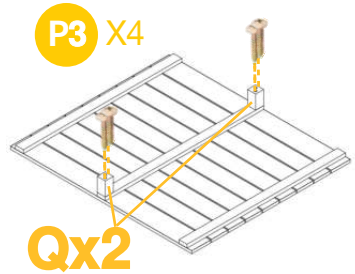


Qx2

Right

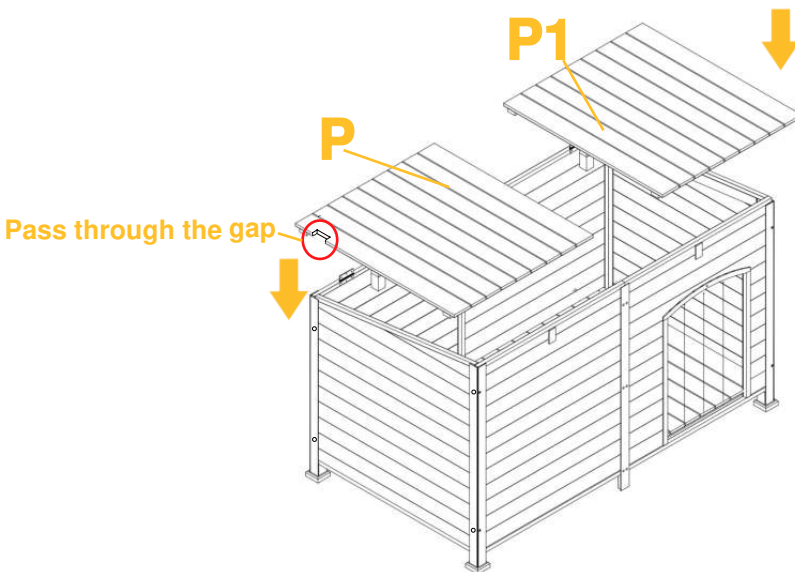


P1



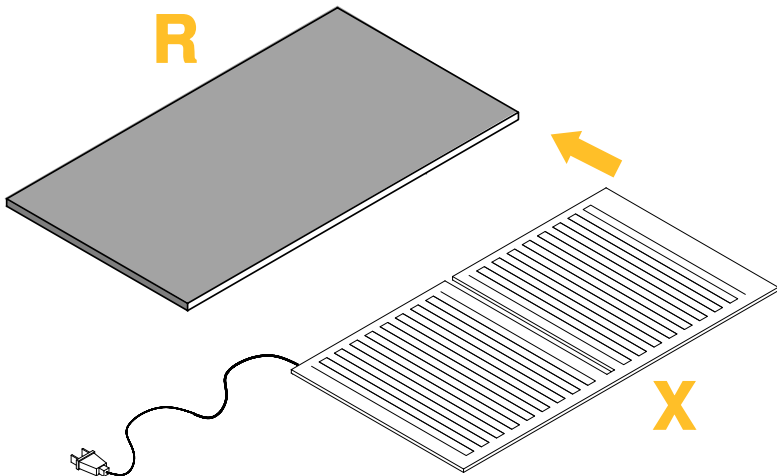
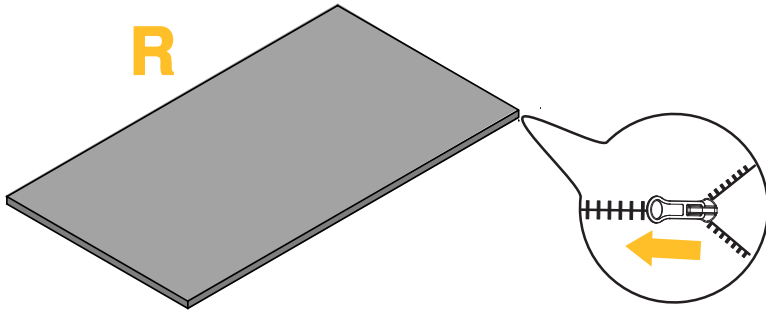
Qx2

08 Put in bottom floor Part P & P1.



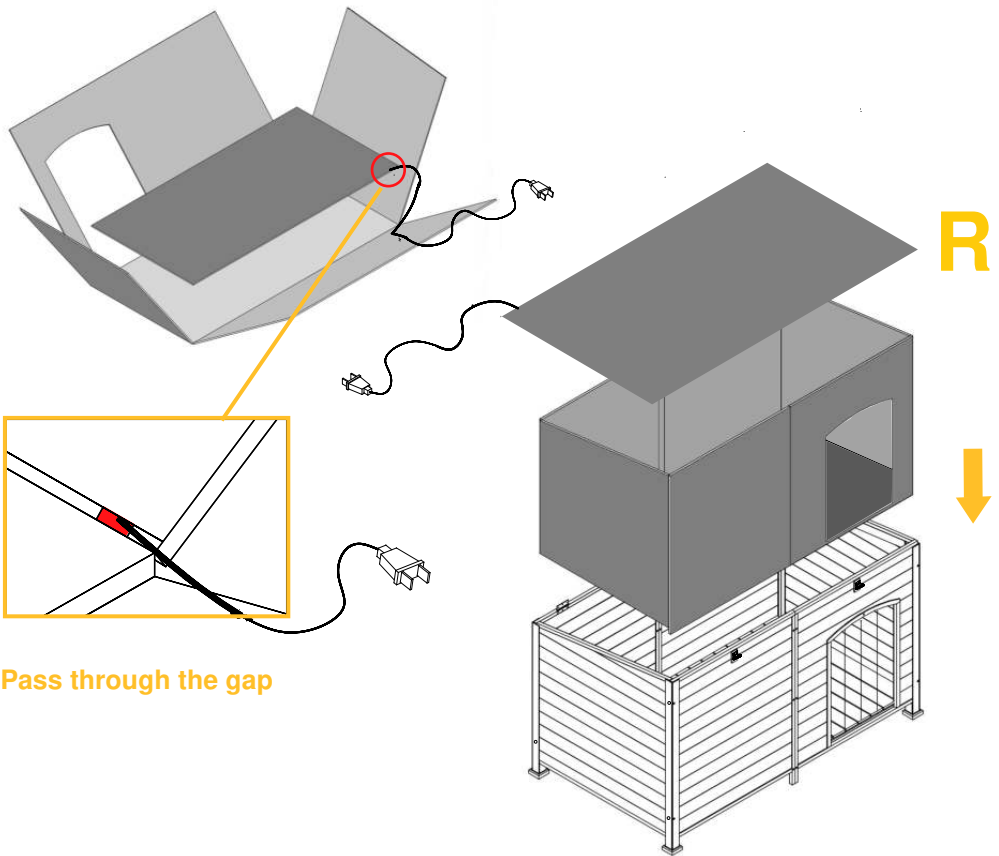
PRODUCT ASSEMBLY //

09 Open the insulated bottom liner Part R and then put the heater Part X inside .



PRODUCT ASSEMBLY //

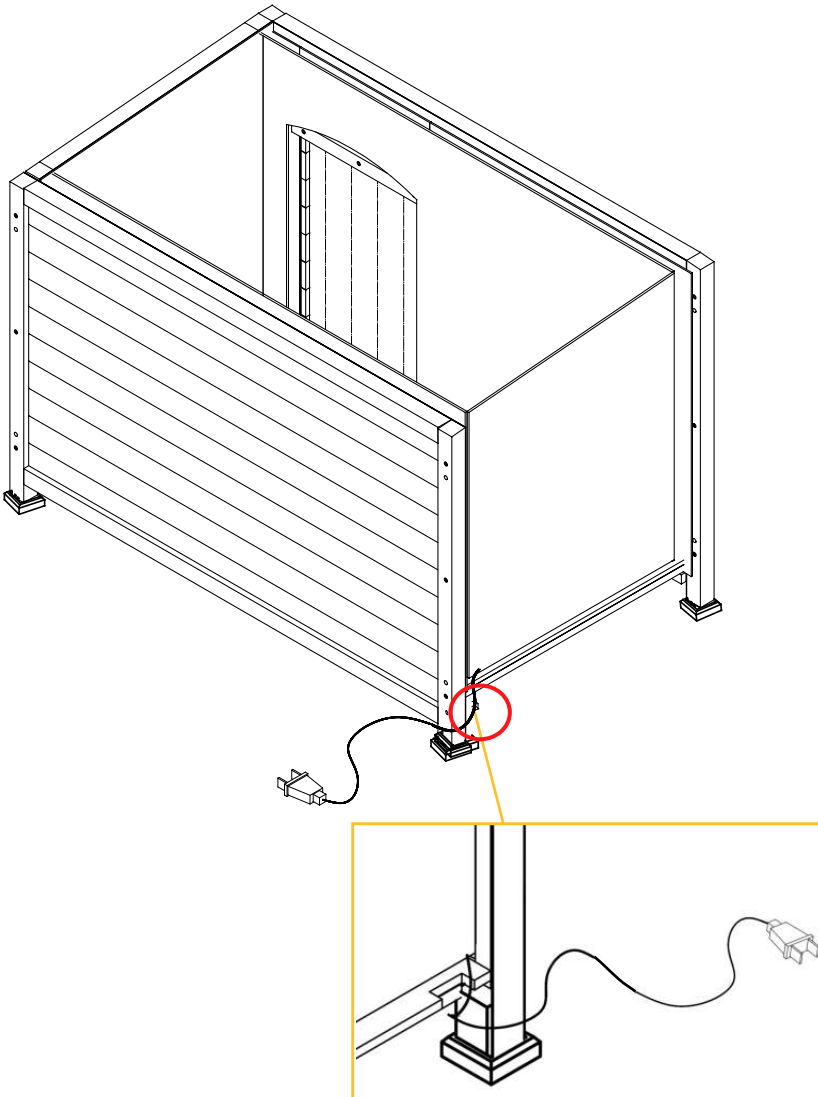
- 10** ① Put the heated pad to the insulated liner Part R, the wires need to pass through the gaps in the insulated liner, as marked in red.
- ② Put the insulated liner into the dog house.



Pass through the gap

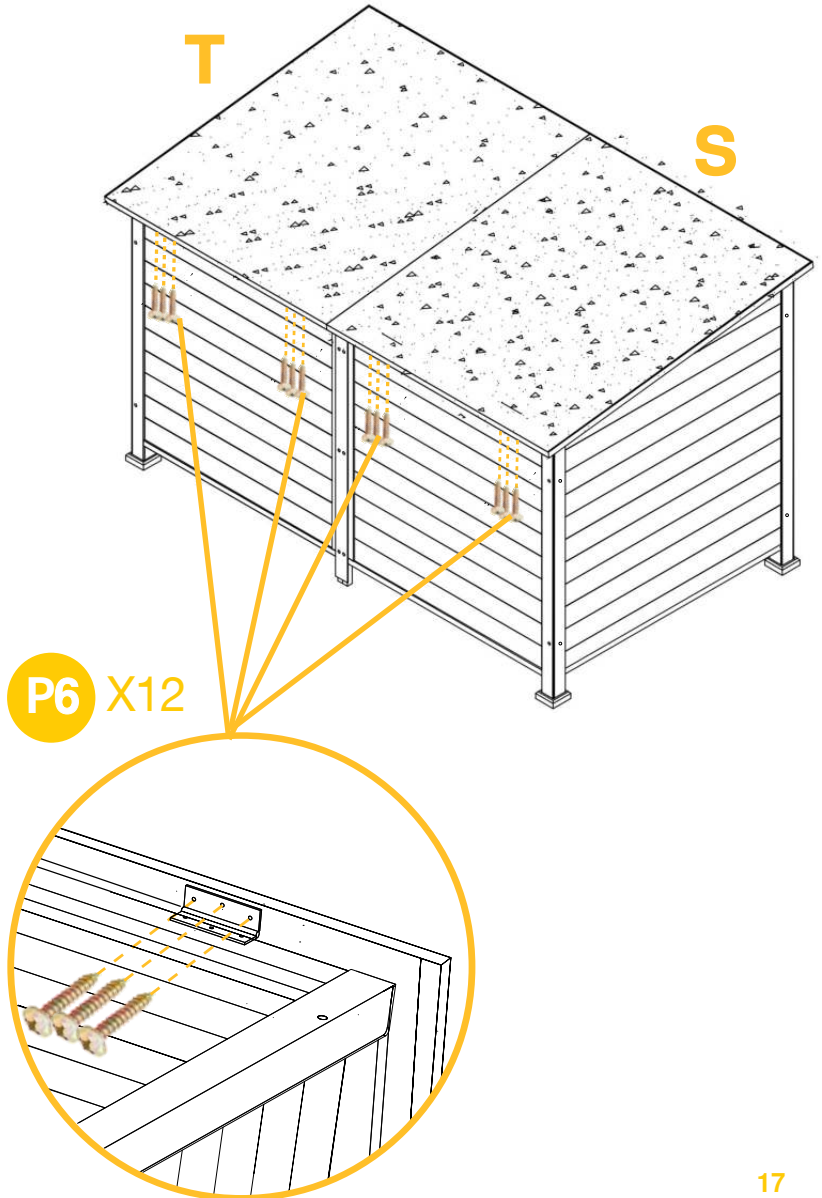
PRODUCT ASSEMBLY //

11 Take out the wires from the holes in the bottom floor.



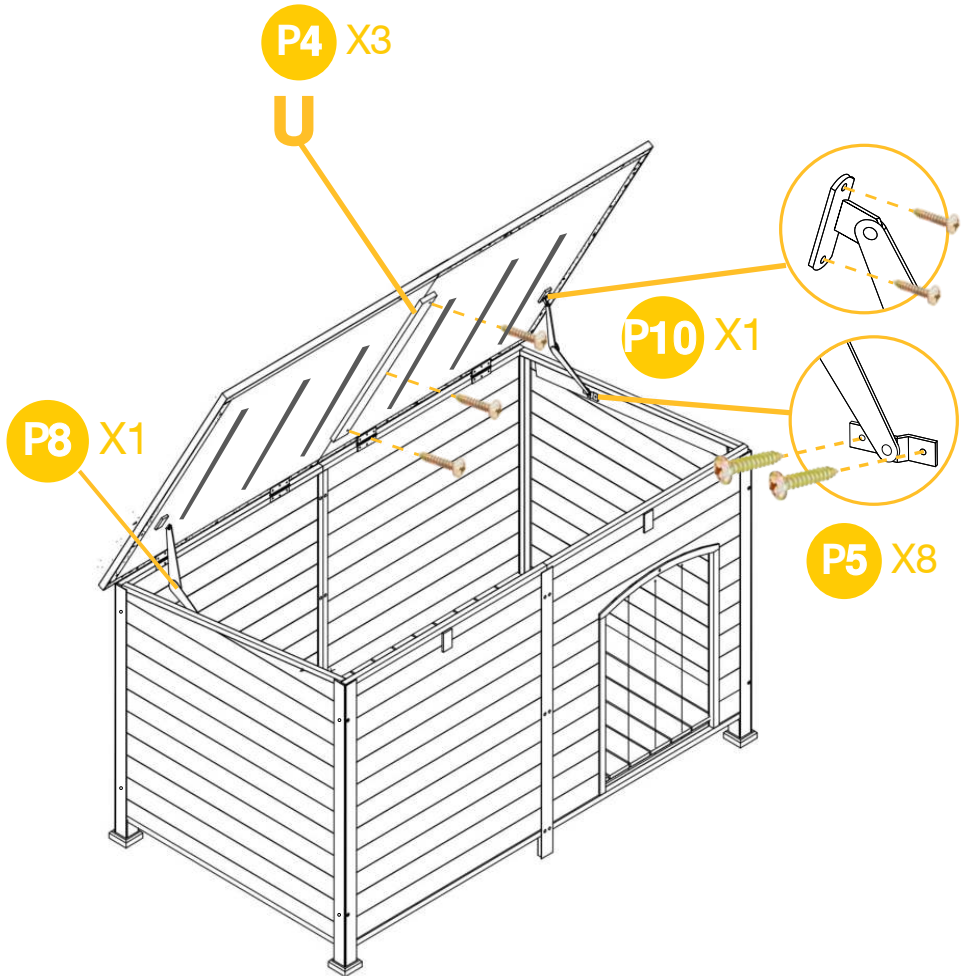
PRODUCT ASSEMBLY //

12 Attach the roof Part S & T by 12XP6.



PRODUCT ASSEMBLY //

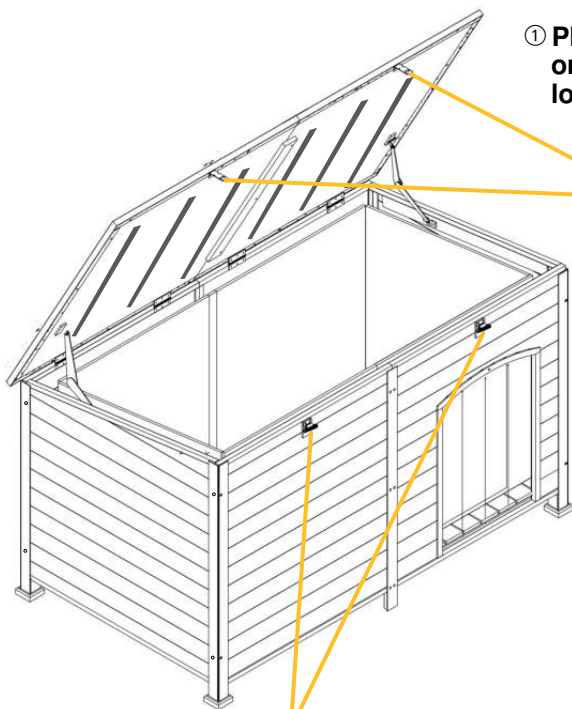
- 13** ① Screw the roof connection strip Part U by 3XP4.
② Screw the roof hinge P8 & P10 by 8XP5.



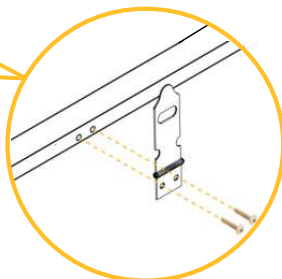
PRODUCT ASSEMBLY

14

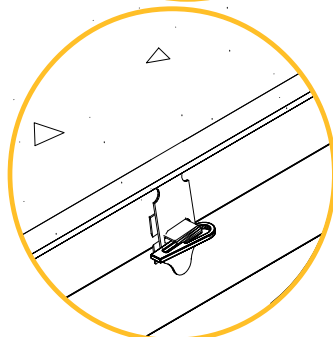
Pls reference below 4 steps to screw the lock P9.



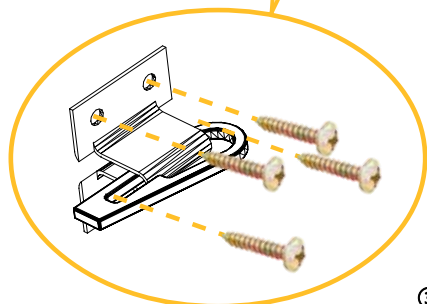
- ① Pls exact locate the pre drilled holes on the roof side to screw the part of lock by 4xP6.



P6 X4



- ② Close the roof to mark the exactly position of the matched lock on front panel.



P9 X2

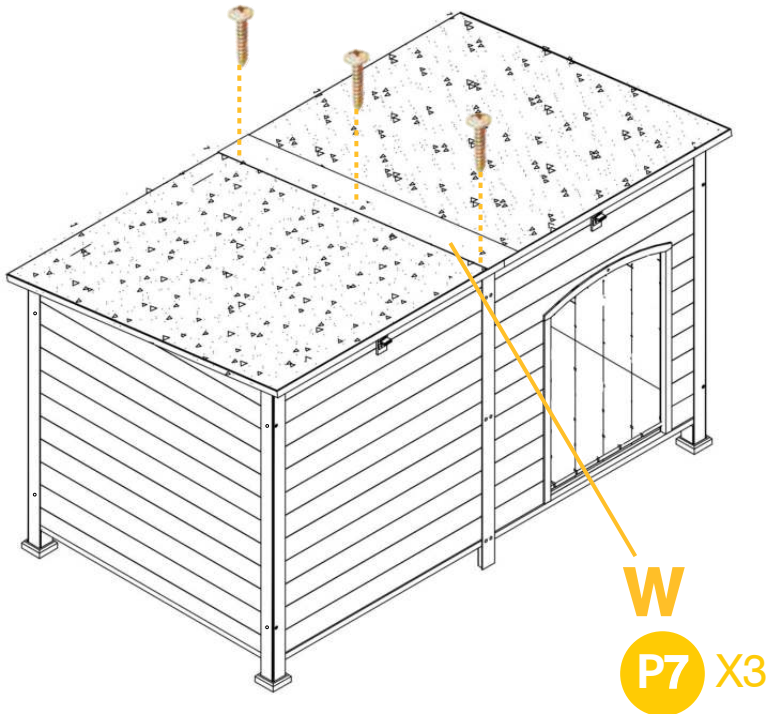
P11 X8

- ③ Screw the matched lock P9 to the front panel in mark position by 4xP11 each.

- ④ Close roof to make sure the 2 sides lock can match to work well. If not, pls re-screw and adjust.

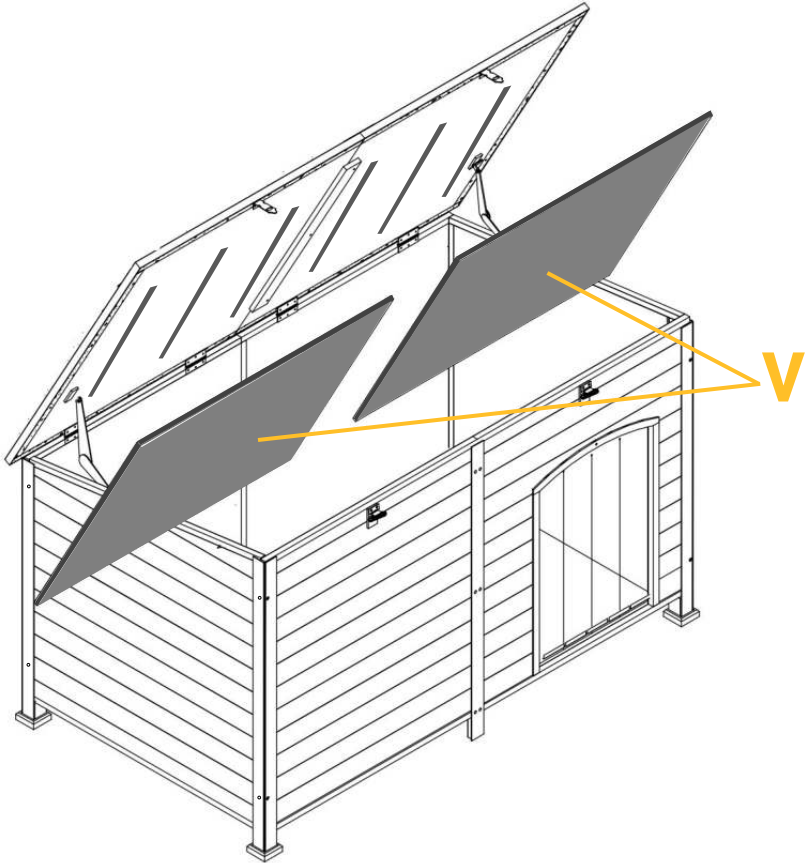
PRODUCT ASSEMBLY //

15 Screw the waterproof strip Part W to the OUTSIDE of the roof by 3XP7.



PRODUCT ASSEMBLY //

16 Stick the roof insulated liner Part V to the INSIDE roof.





WARNING

The manufacturer and seller expressly disclaim all liability for personal injury, property damage, or loss—whether direct, indirect, or incidental—resulting from improper attachment, misuse, inadequate maintenance, or neglect of this product.