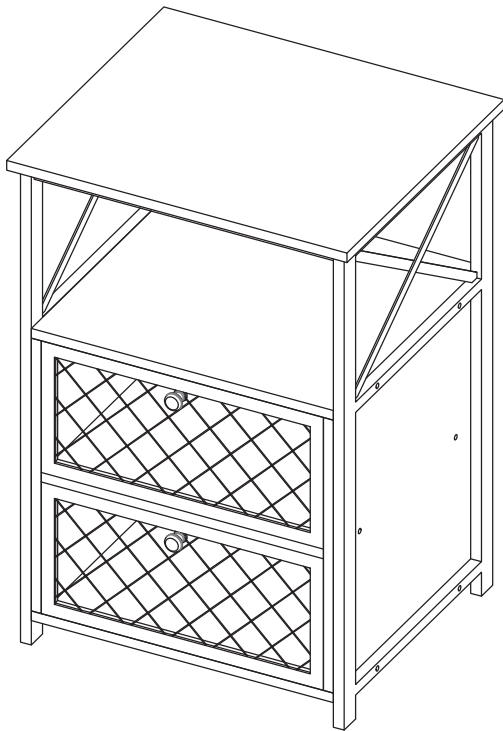
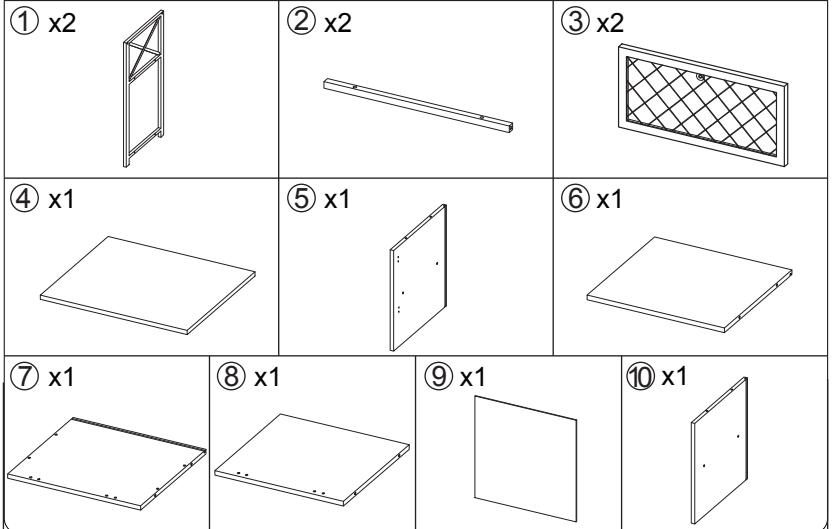


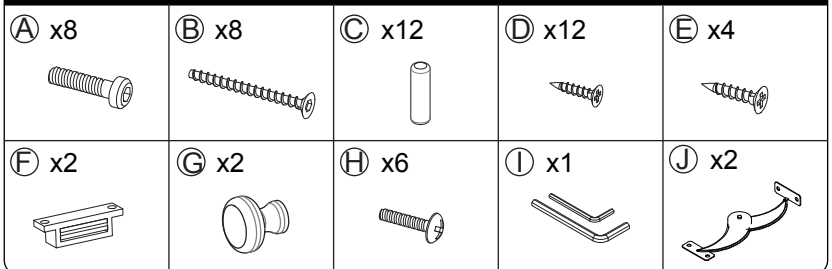
# Assembly Instructions



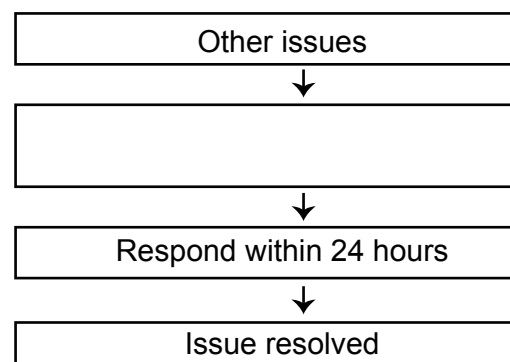
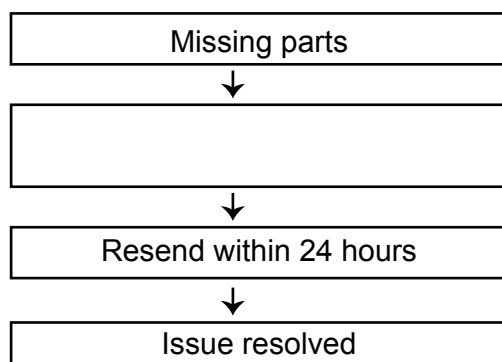
## Componets



## Screws & tools

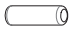




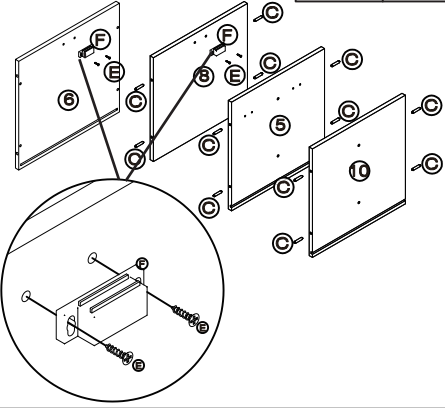
## Trouble shooting:



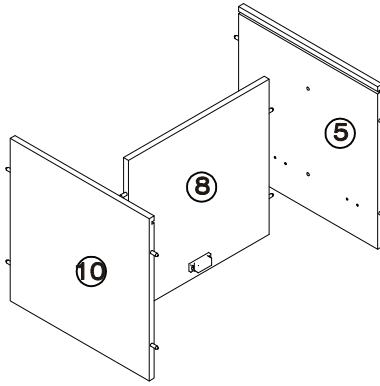
We control manufacturing and distribution ourselves, ensure the quality.

**1**Assembly ⑧、⑤ & ⑩  
Assembly ①

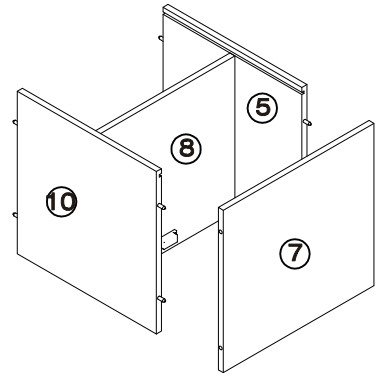
	Cx12
	Ex4
	Fx2

**2**

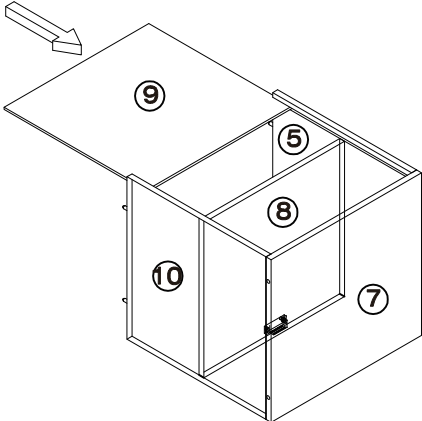
Connect ⑧、⑤ &amp; ⑩

**3**

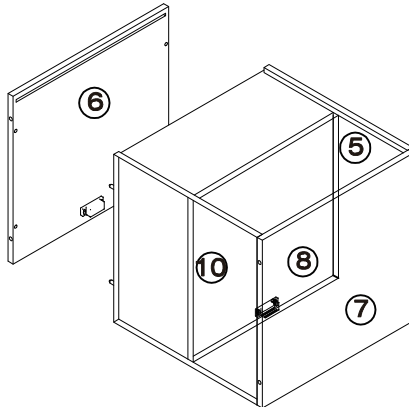
Connect ⑤、⑩ &amp; ⑦

**4**

Assembly ⑨ &amp; ⑦

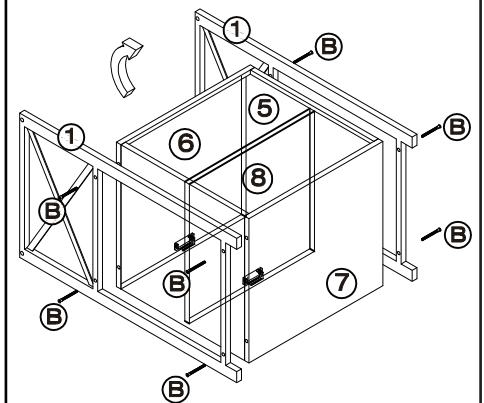
**5**

Connect ⑥、⑤ &amp; ⑩

**6**

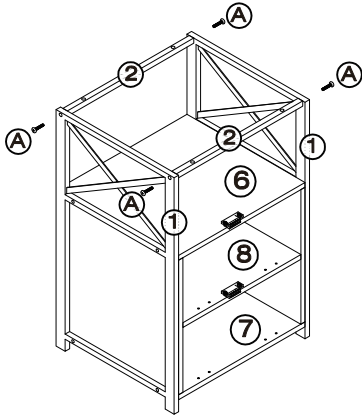
Connect ①、⑥ &amp; ⑦

	Bx8
---	-----

**7**

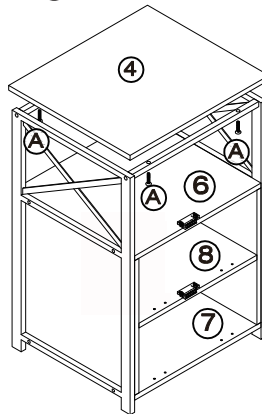
Connect ② &amp; ①

	Ax4
---	-----




**8**

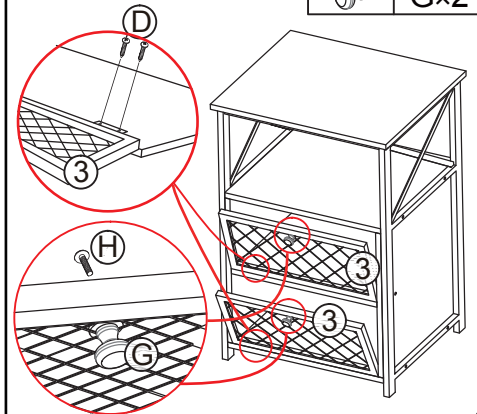
Assembly ④




	Ax4
---	-----

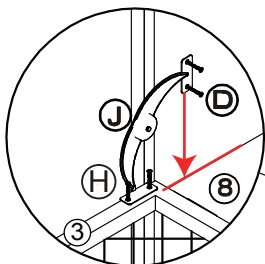
**9**

Assembly ③ &amp; ③

	Dx8
	Hx2
	Gx2

**10** Assembly ③ & ①

	Dx4
	Jx2
	Hx4



To make the door (Part ③) close normally, as shown in the diagram, when installing Part J, the rectangular crank where the part D screw in. Must keep vertical to Part ③ & ⑦

