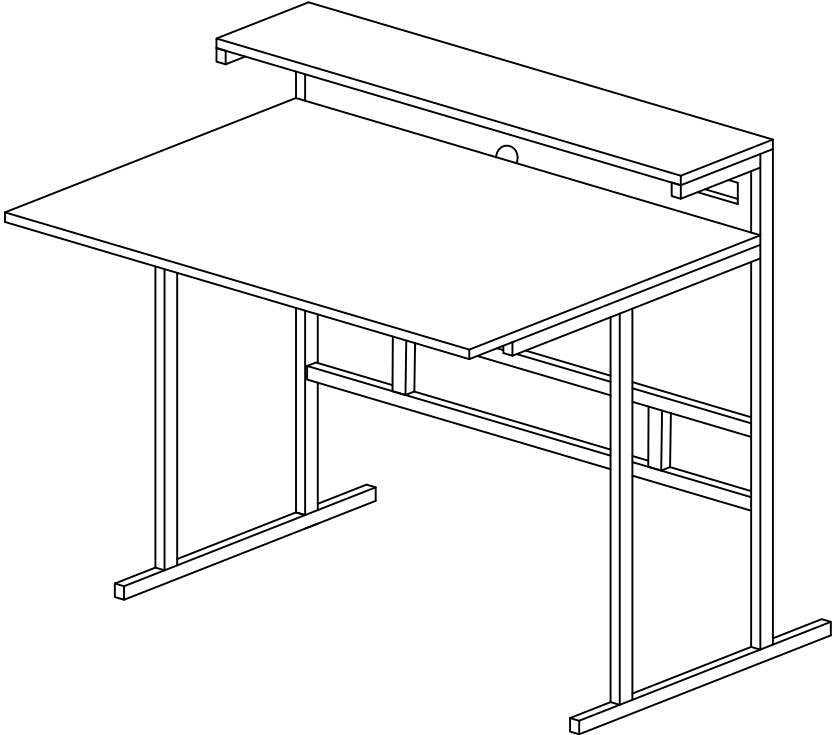
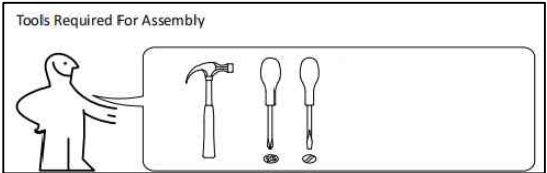
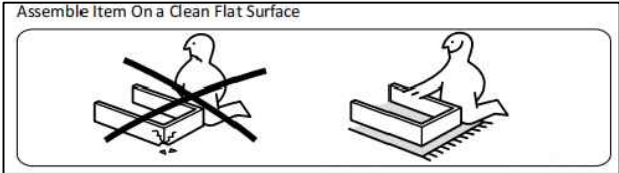





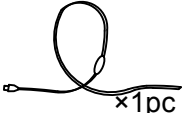
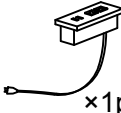
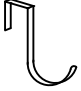
Instruction Manual



DEAR CUSTOMER,
 Thank you for choosing our product. Please read this manual carefully before assembling. If the product is passed on to the third party, this manual has to be passed on along with the product. Enjoy your new purchase!


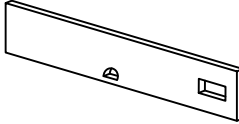
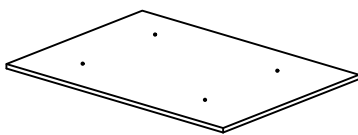
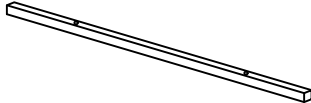
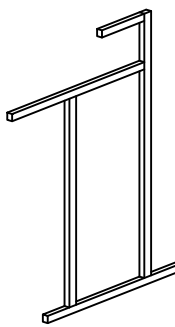
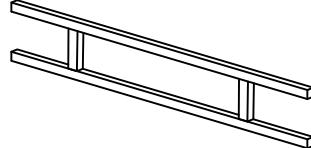


HARDWARE LIST

1  x16pcs	2  x4pcs	3  x2pcs	4  x1pc	5  x1pc	6  x2pcs
---	--	--	---	---	--

PARTS LIST

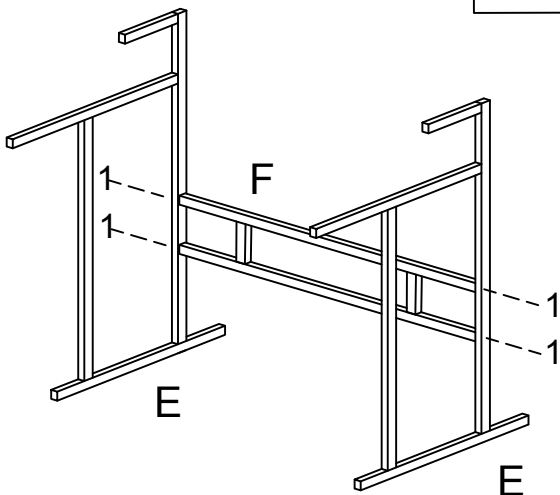
Note: there will be some error in the measurement, the actual size shall prevail.

A  <div style="text-align: right;">×1pc</div>	B  <div style="text-align: right;">×1pc</div>	C  <div style="text-align: right;">×1pc</div>
D  <div style="text-align: right;">×2pcs</div>	E  <div style="text-align: right;">×2pcs</div>	F  <div style="text-align: right;">×1pc</div>

NOTE

- Please check that you have all the parts and hardware listed before assembling.
- Please do not tighten all bolts until the table is assembled completely.
- If you find that something is missing, please contact the store you purchase immediately.
- At least every 4 months, check all bolts, screws and knobs to be sure they are tight.

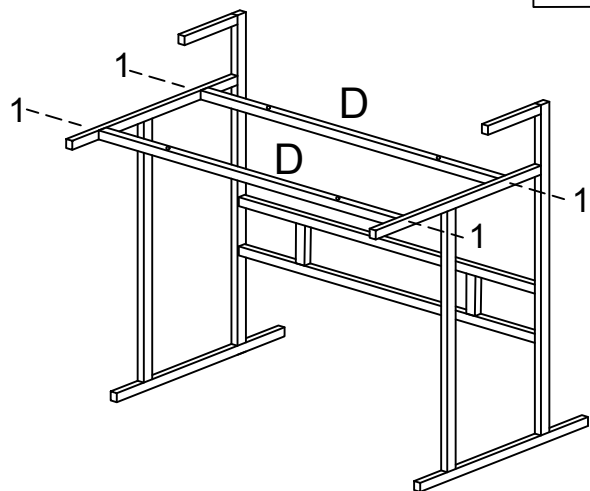
Step:1



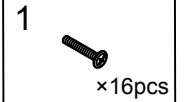
Connect square tube through fitting 1.



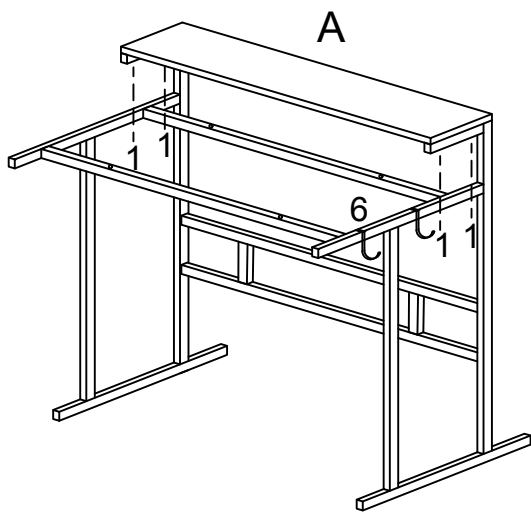
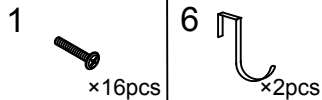
Step:2



Connect square tube through fitting 1.

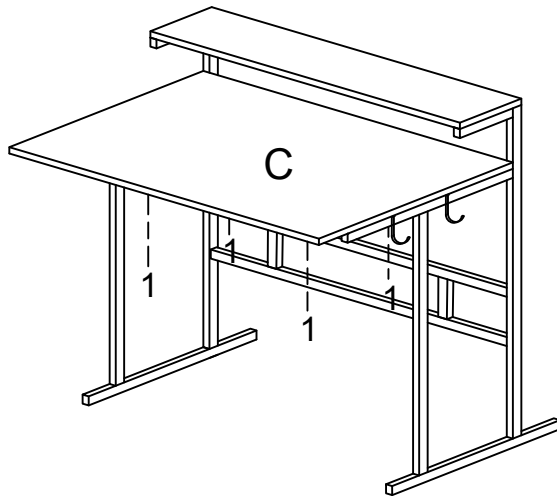
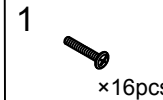


Step:3



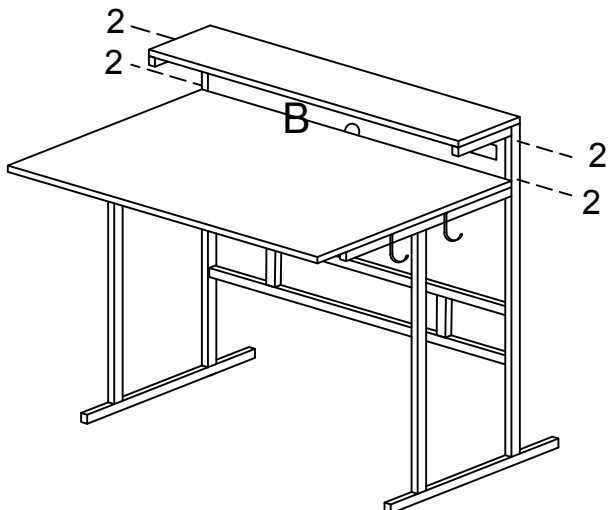
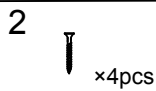
Install square tube and panel through fitting 1.

Step:4



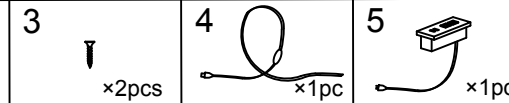
Install square tube and panel through fitting 1.

Step:5



Install square tube and panel through fitting 2.

Step:6



Installation Complete !

Stick under the panel.

