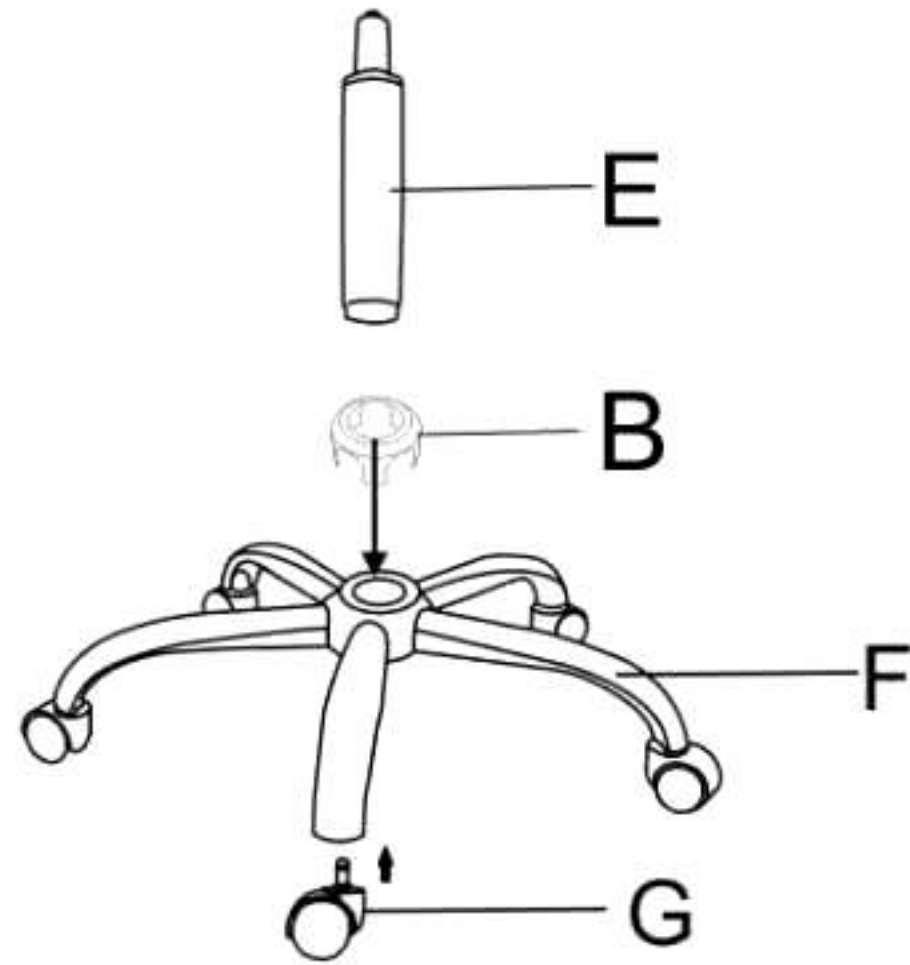


# ASSEMBLY INSTRUCTION

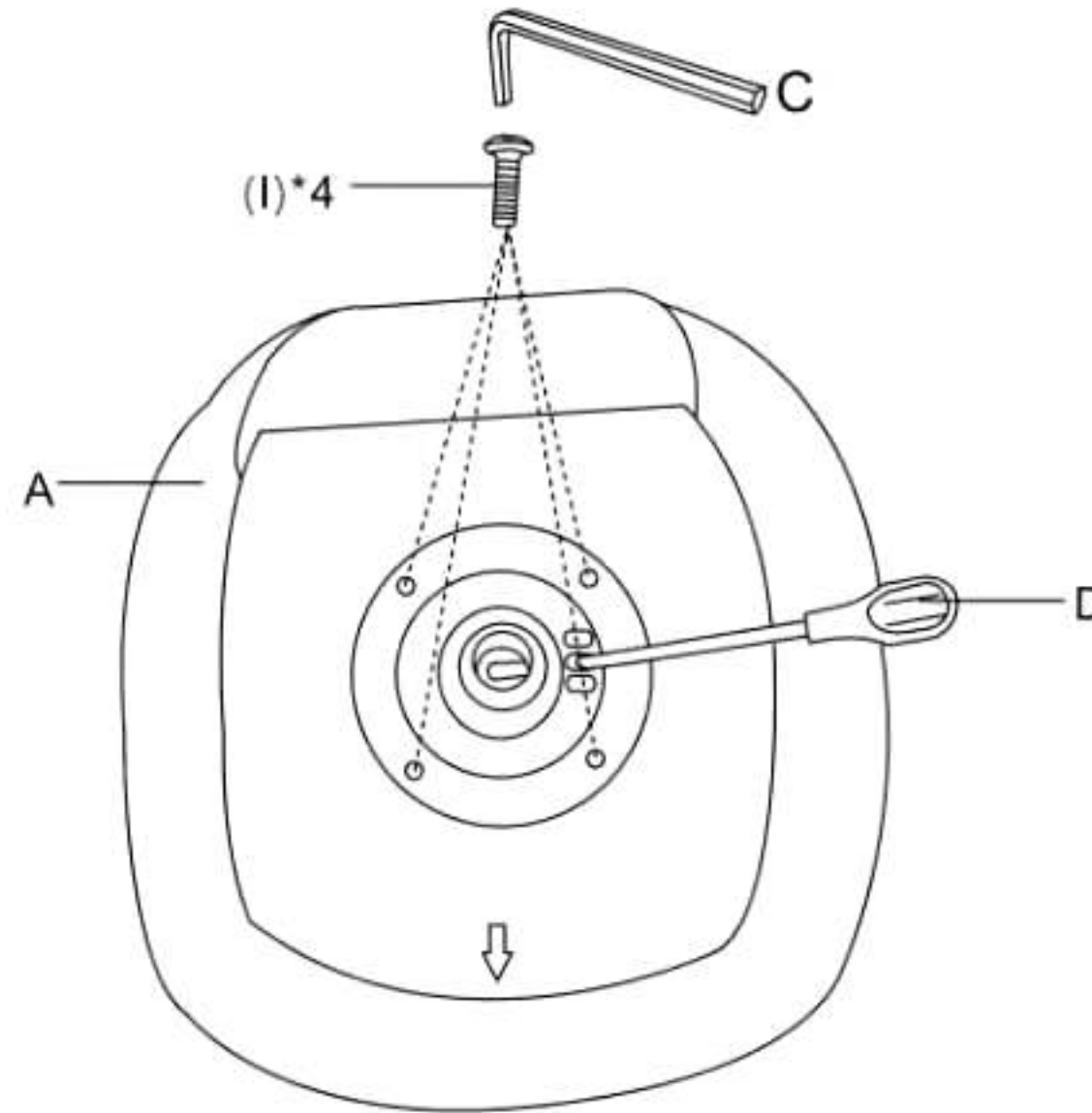
▽ PARTSxQTY

## ▽ ASSEMBLY PROGRAM

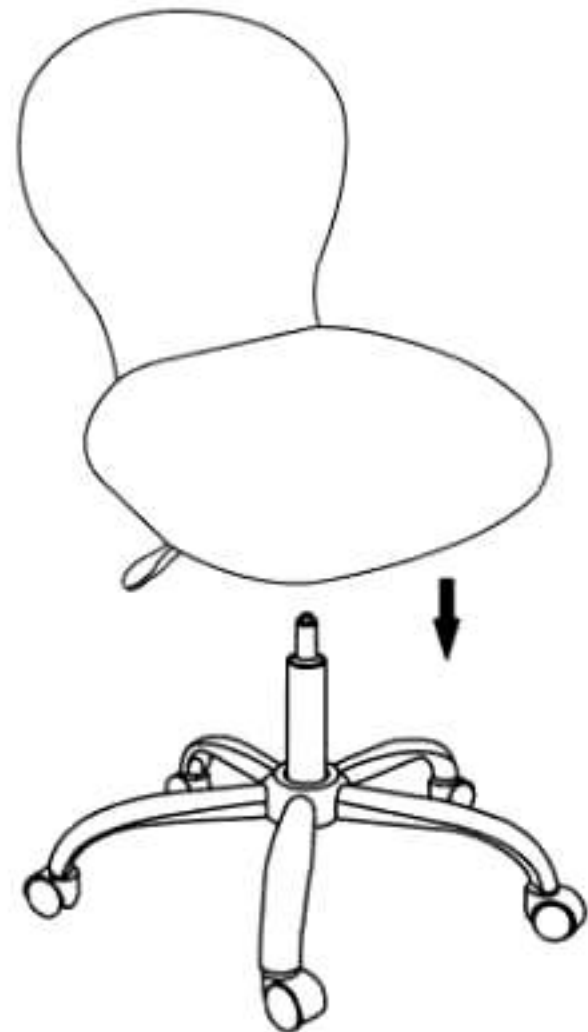
①



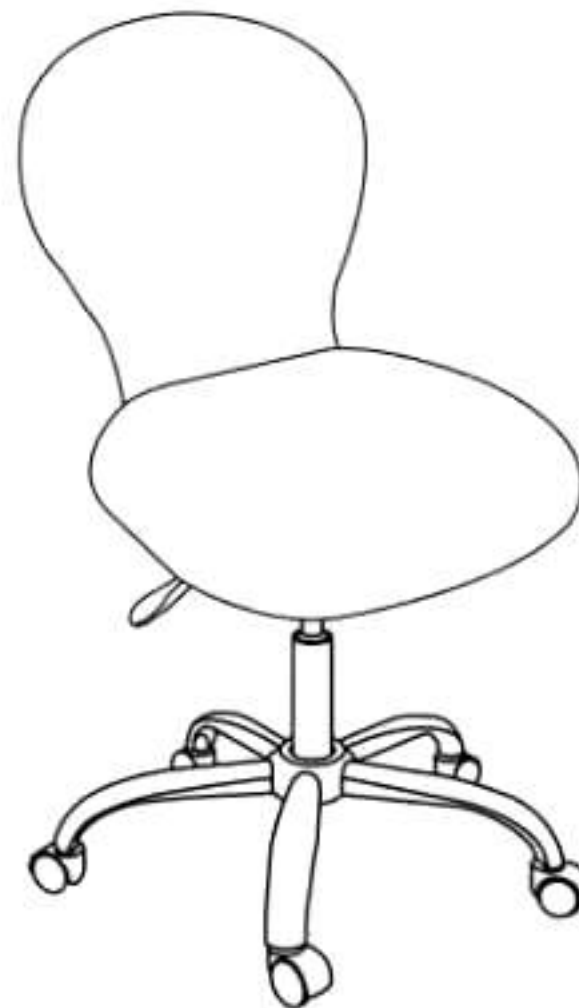
①



③



④



Ax1



Gx5



Bx1



Hx4

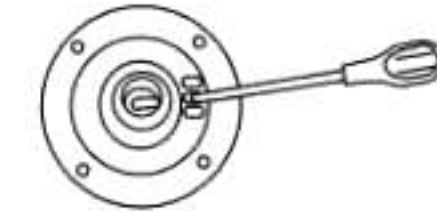


M6x18mm

Cx1



Dx1



Ex1



Fx1

