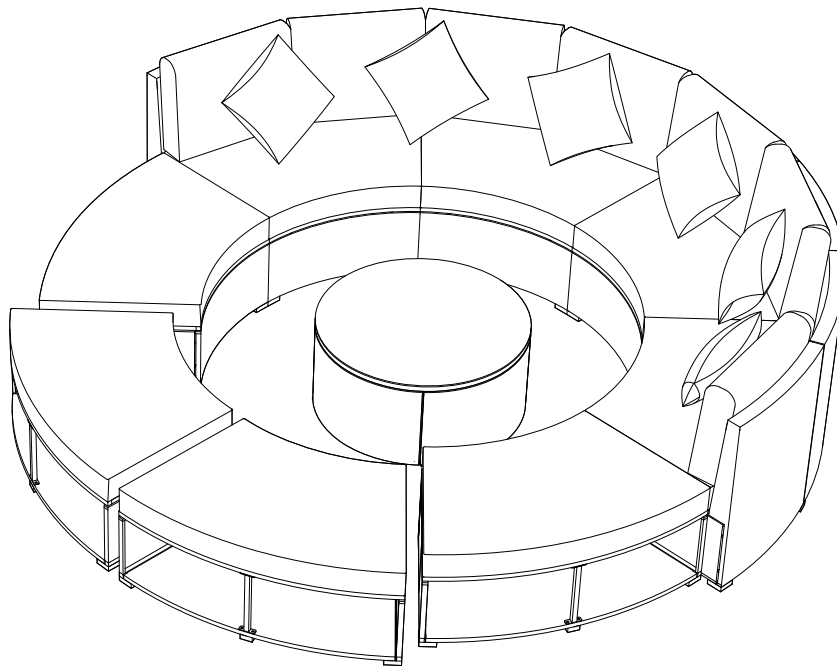


# ASSEMBLY INSTRUCTION

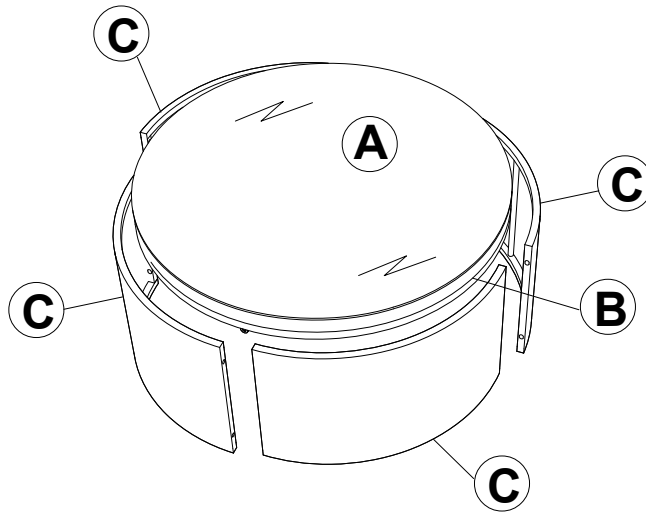
## PATIO FURNITURE SETS



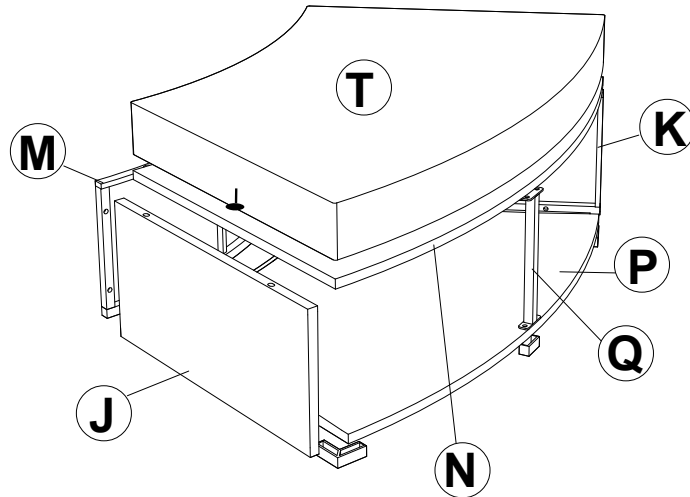
**Notice:**

1. 50% Tighten before fixing all screws, Allen wrench is recommended instead of an electric drill.
2. Place the item on a flat ground to adjust and make sure it remains stable.
3. Tighten up all screws with tools gradually.
4. If the screws are not aligned with holes during assembly, please loosen all the other screws to 50% and continue the assembly process.
5. If the item is not stable, please loosen all the screws, adjust it on a flat ground and tighten up all screws again.
6. Note : If one or some screws are fully tightened during assembly, chances are the others will not be aligned with holes. In addition, all the holes are designed to be relatively larger to provide more space for the adjustment of the screws.

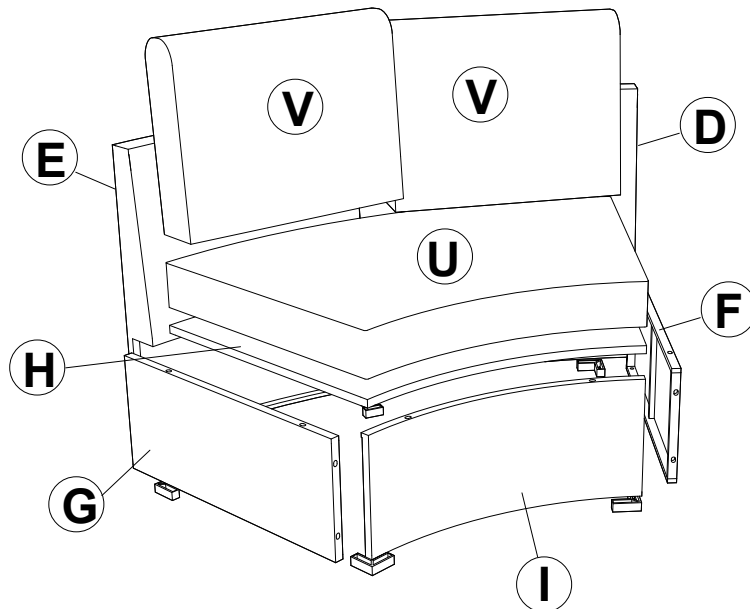
**x1**



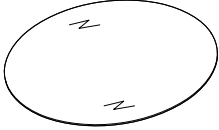
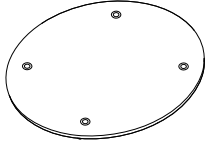
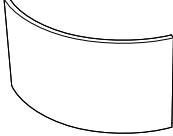
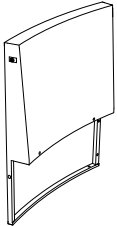
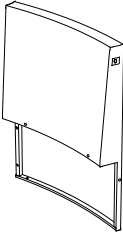
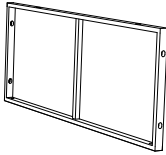
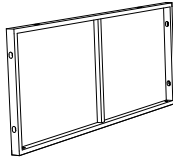
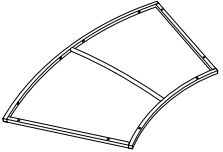
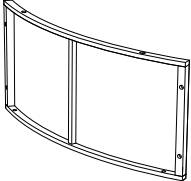
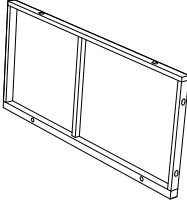
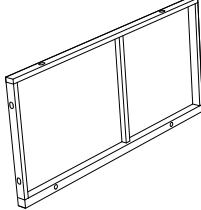
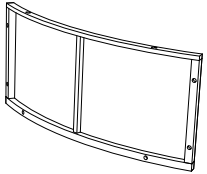
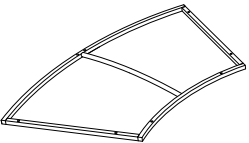
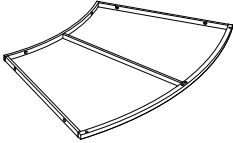
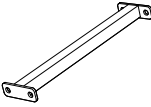
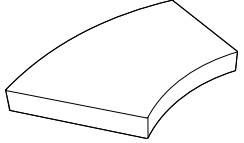
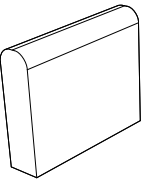
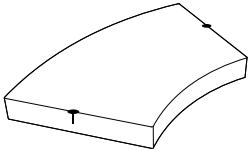
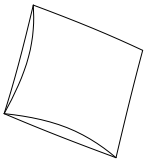
**x4**



**x4**

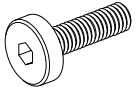


# Part List :

<p><b>A</b></p>  <p><b>Glass Table (1 pc)</b></p>	<p><b>B</b></p>  <p><b>Top Table Frame (1 pc)</b></p>	<p><b>C</b></p>  <p><b>Round Table Frame (4 pcs)</b></p>	<p><b>D</b></p>  <p><b>Left Back Chair Frame (4 pcs)</b></p>
<p><b>E</b></p>  <p><b>Right Back Chair Frame (4 pcs)</b></p>	<p><b>F</b></p>  <p><b>Left Side Chair Frame (4 pcs)</b></p>	<p><b>G</b></p>  <p><b>Right Side Chair Frame (4 pcs)</b></p>	<p><b>H</b></p>  <p><b>Seat Chair Frame (4 pcs)</b></p>
<p><b>I</b></p>  <p><b>Front Side Chair Frame (4 pcs)</b></p>	<p><b>J</b></p>  <p><b>Left Side Stool Frame (4 pcs)</b></p>	<p><b>K</b></p>  <p><b>Right Side Stool Frame (4 pcs)</b></p>	<p><b>M</b></p>  <p><b>Front Side Stool (4 pcs)</b></p>
<p><b>N</b></p>  <p><b>Seat Stool Frame (4 pcs)</b></p>	<p><b>P</b></p>  <p><b>Bottom Stool Frame (4 pcs)</b></p>	<p><b>Q</b></p>  <p><b>Connecting Bar (4 pcs)</b></p>	<p><b>U</b></p>  <p><b>Seat Chair Cushion (4 pcs)</b></p>
<p><b>V</b></p>  <p><b>Back Cushion (8 pcs)</b></p>	<p><b>T</b></p>  <p><b>Seat Stool Cushion (4 pcs)</b></p>	<p><b>Z</b></p>  <p><b>Decorating Cushion (6 pcs)</b></p>	

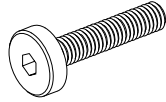
# Hardware :

1



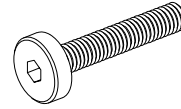
Extra (2 pcs)  
Bolt M6x20 (20 pcs)

2



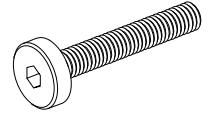
Extra (4 pcs)  
Bolt M6x25 (80 pcs)

3



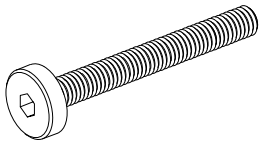
Extra (6 pcs)  
Bolt M6x30 (120 pcs)

4



Extra (2 pcs)  
Bolt M6x40 (20 pcs)

5



Extra (1 pc)  
Bolt M6x50(8 pcs)

6



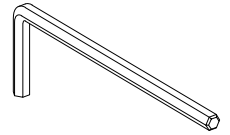
Extra (1 pc)  
Ecrus M6 (8 pcs)

7



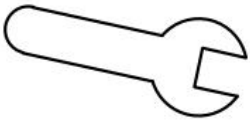
Extra (16 pcs)  
Flat Washer M6 (256 pcs)

8



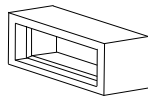
Allen Key (3 pcs)

9



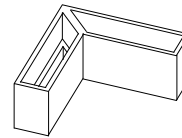
Key (1 pc)

10



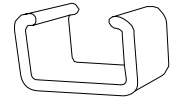
Extra (1 pc)  
Plastic I-Shape Leg (8 pcs)

11



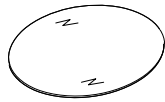
Extra (2 pcs)  
Plastic L-Shape Leg (32 pcs)

12

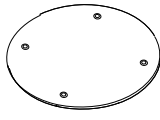


Extra (1 pc)  
Plastic Clip (6 pcs)

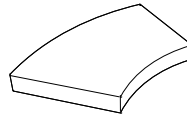
# CARTON CONTENT:



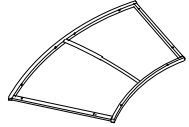
**A** x1



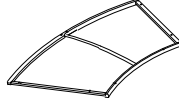
**B** x1



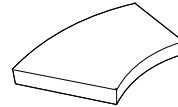
**U** x2



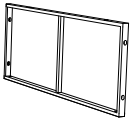
**H** x4



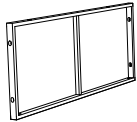
**N** x3



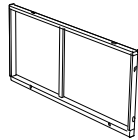
**U** x1



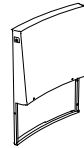
**F** x4



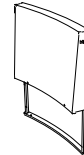
**G** x4



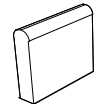
**J** x2



**D** x4



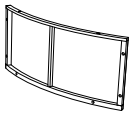
**E** x1



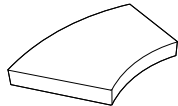
**V** x4



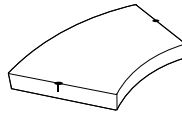
**Hardware**



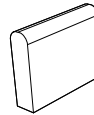
**M** x2



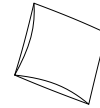
**U** x1



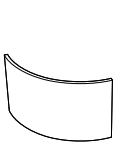
**T** x2



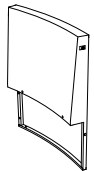
**V** x1



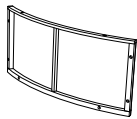
**Z** x2



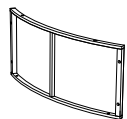
**C** x4



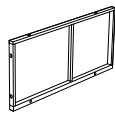
**E** x3



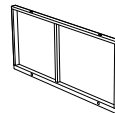
**M** x2



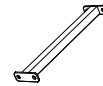
**I** x4



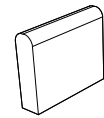
**K** x4



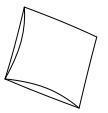
**J** x2



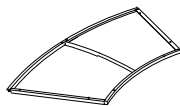
**Q** x4



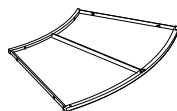
**V** x3



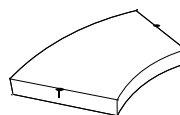
**Z** x4



**N** x1



**P** x4



**T** x2

# STEP 1

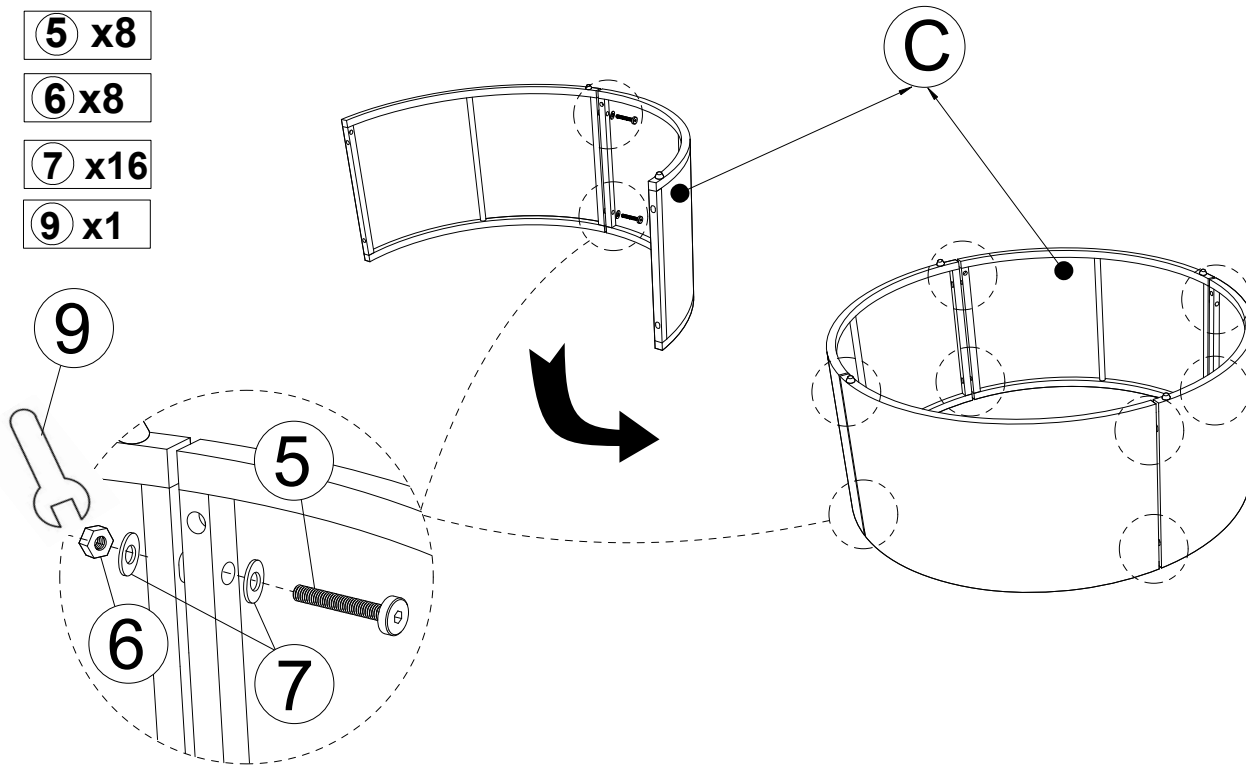
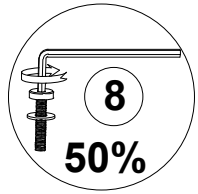
C x4

5 x8

6 x8

7 x16

9 x1



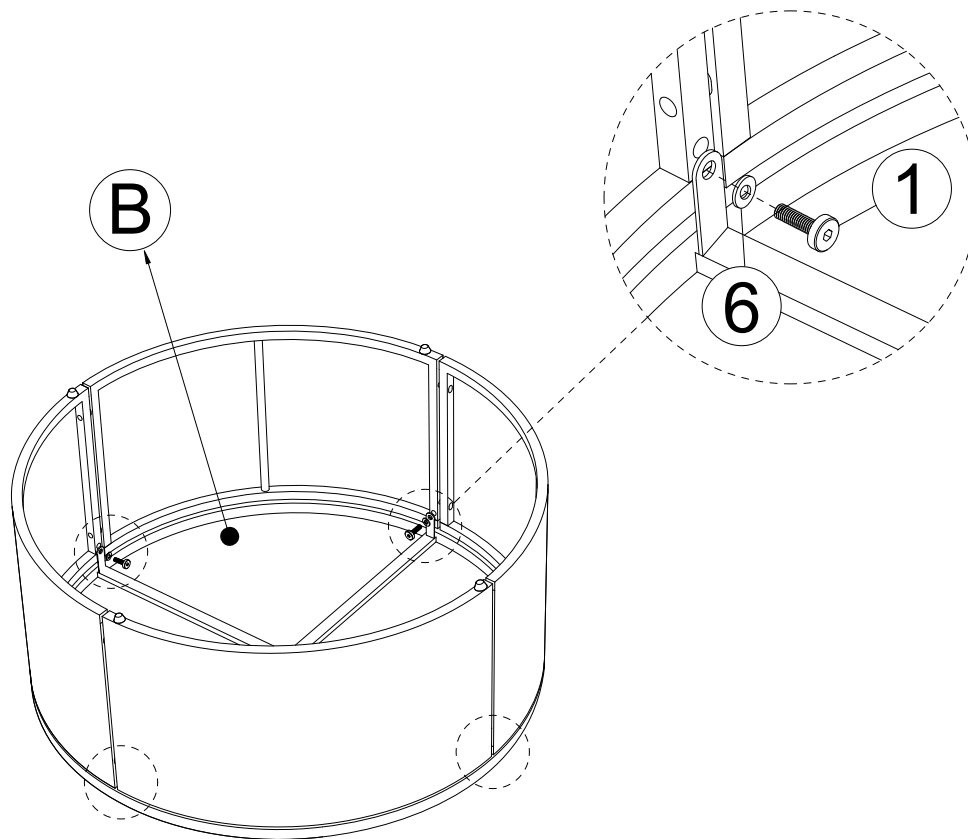
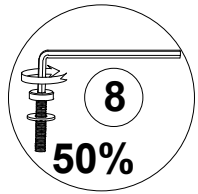
Connect Round Table Frame (C) with tighten Bolt (5) & flat washer (7), Ecru (6) with Allen Key (8), Key (9).

# STEP 2

B x1

1 x4

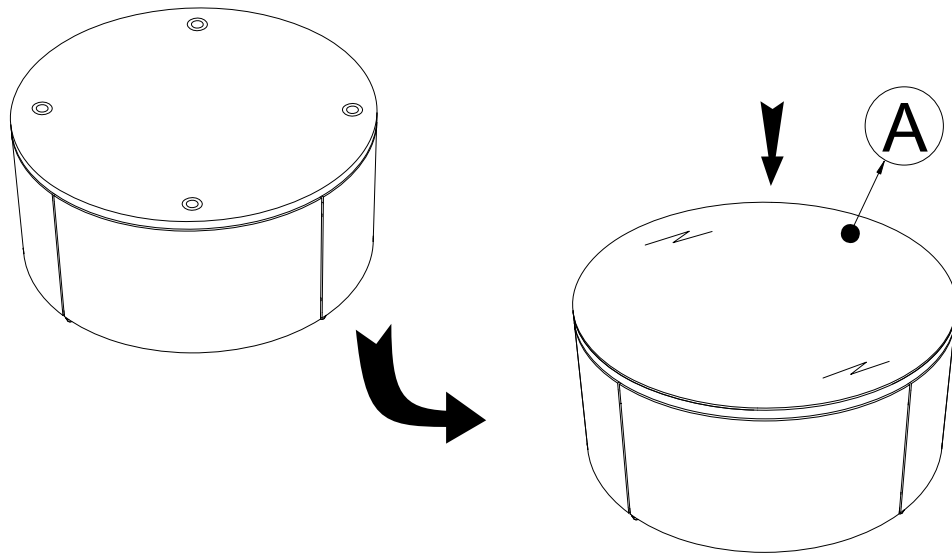
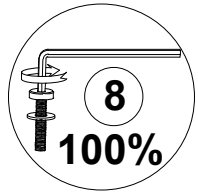
7 x4



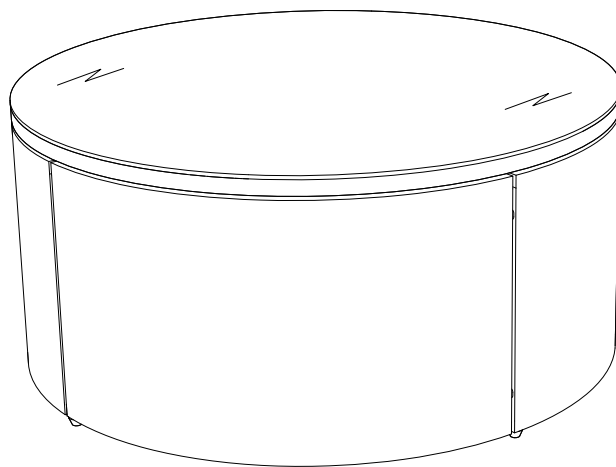
Connect the Part from Step 1 & the Top Table Frame (B) with tighten Bolt (1) & flat washer (7), Allen Key (8).

# STEP 3

A x1



**Put The table upright, then firmly tighten Bolts with Allen Key (8) .  
Set the Glass Table (A) on the top to finish Table.**



**Finish Table.**

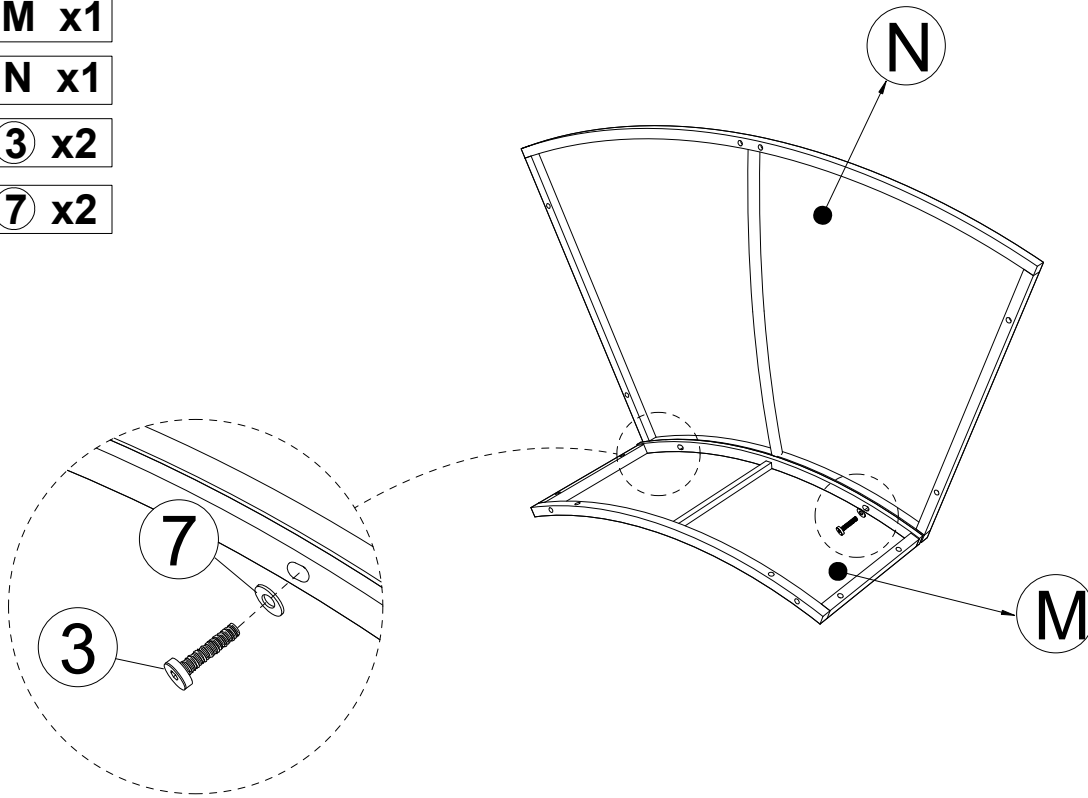
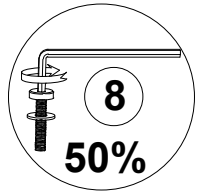
# STEP 4

M x1

N x1

3 x2

7 x2



x4

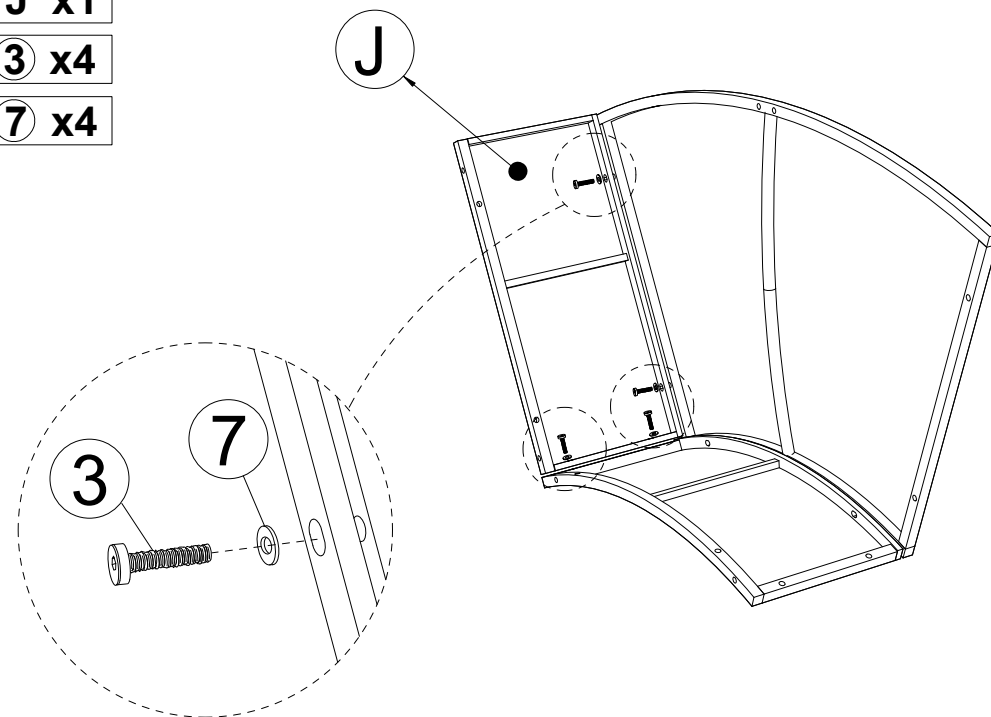
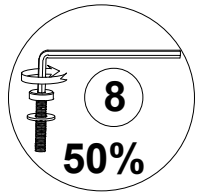
Connect The Seat Stool Frame (N) & Front Side Stool (M) with tighten Bolt (3) & Flat Washer (7) with Allen Key (8).

# STEP 5

J x1

3 x4

7 x4



x4

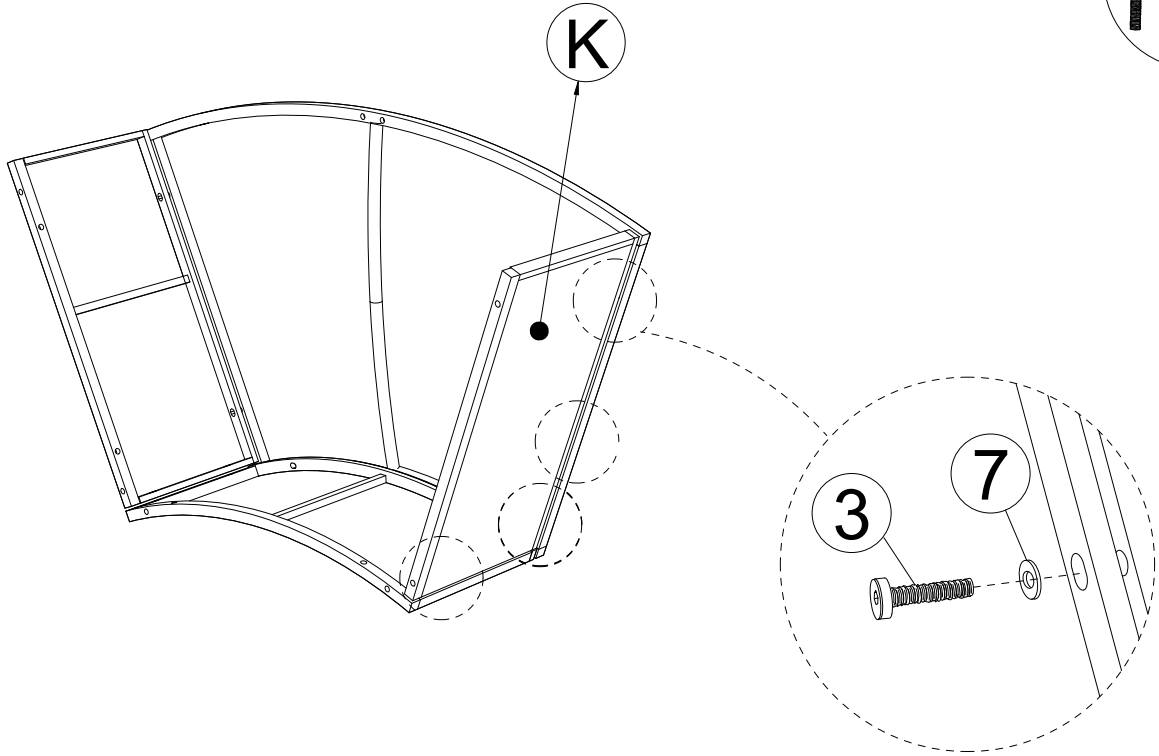
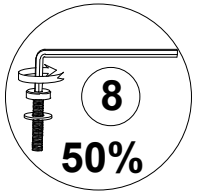
Connect The part from Step 4 & Left Side Stool Frame (J), tighten Bolt (3) & Flat Washer (7) with Allen Key (8).

# STEP 6

K x1

③ x4

⑦ x4



x4

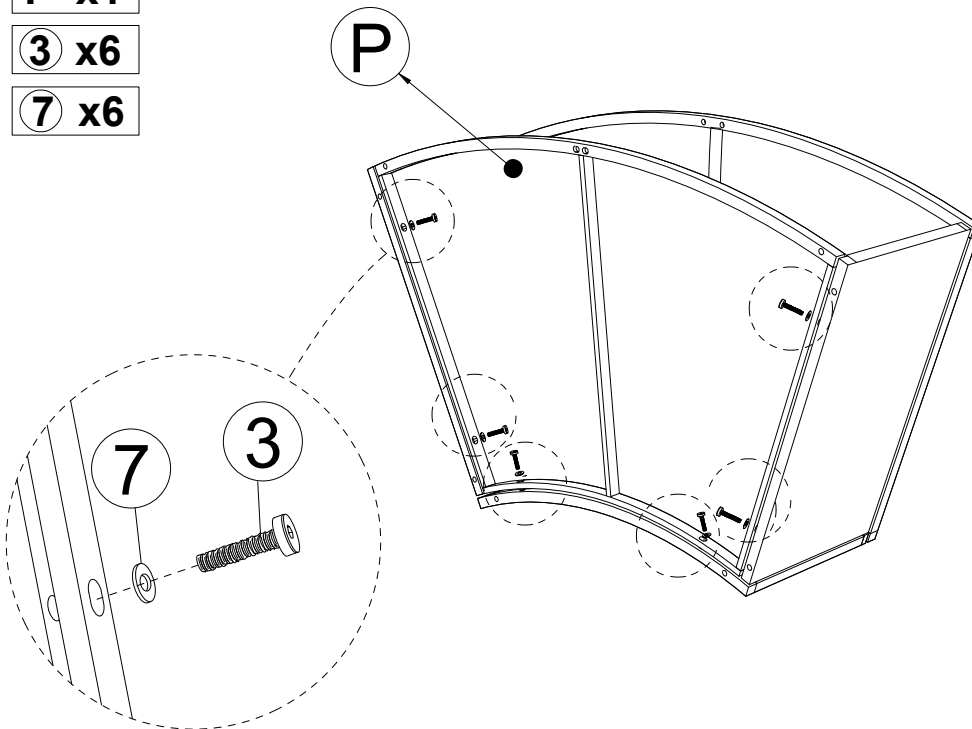
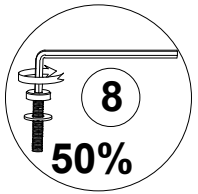
Connect The part from Step 5 & Right Side Stool Frame (K), tighten Bolt (3) & Flat Washer (7) with Allen Key (8).

# STEP 7

P x1

③ x6

⑦ x6



x4

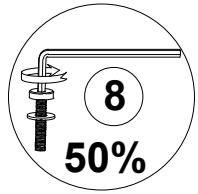
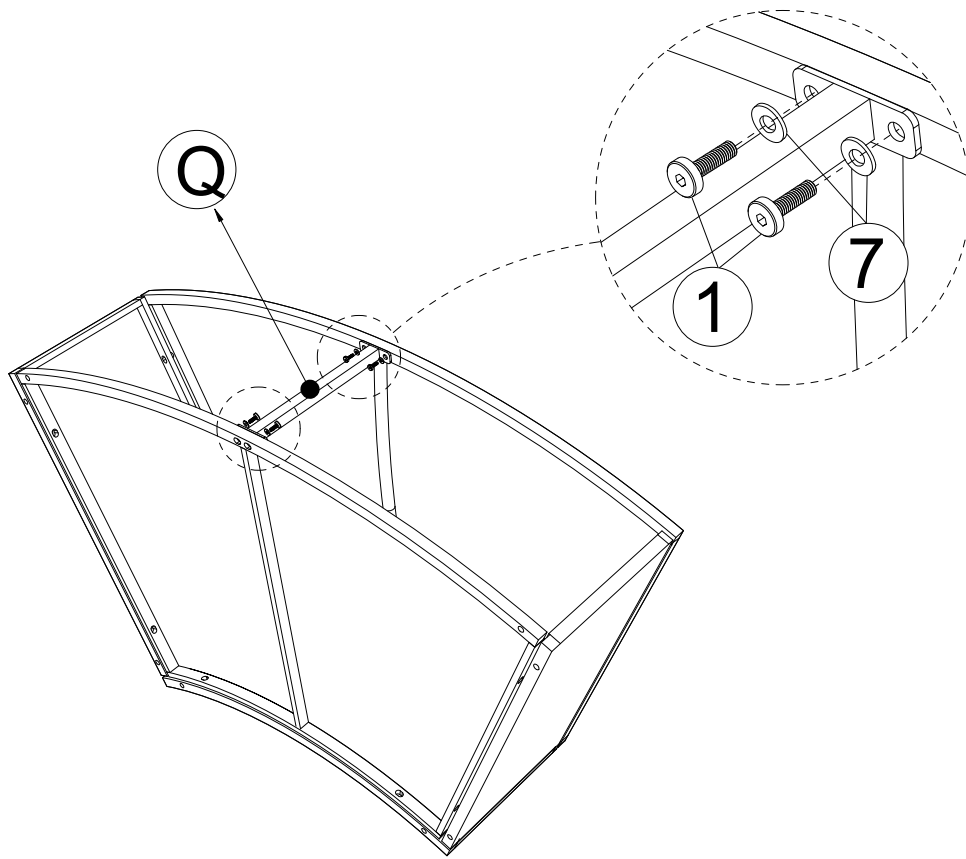
Connect The part from Step 6 & the Bottom Stool Frame (P), tighten Bolt (3) & Flat Washer (7) with Allen Key (8).

# STEP 8

Q x1

1 x4

7 x4



x4

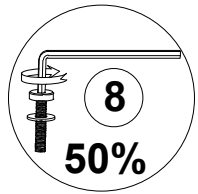
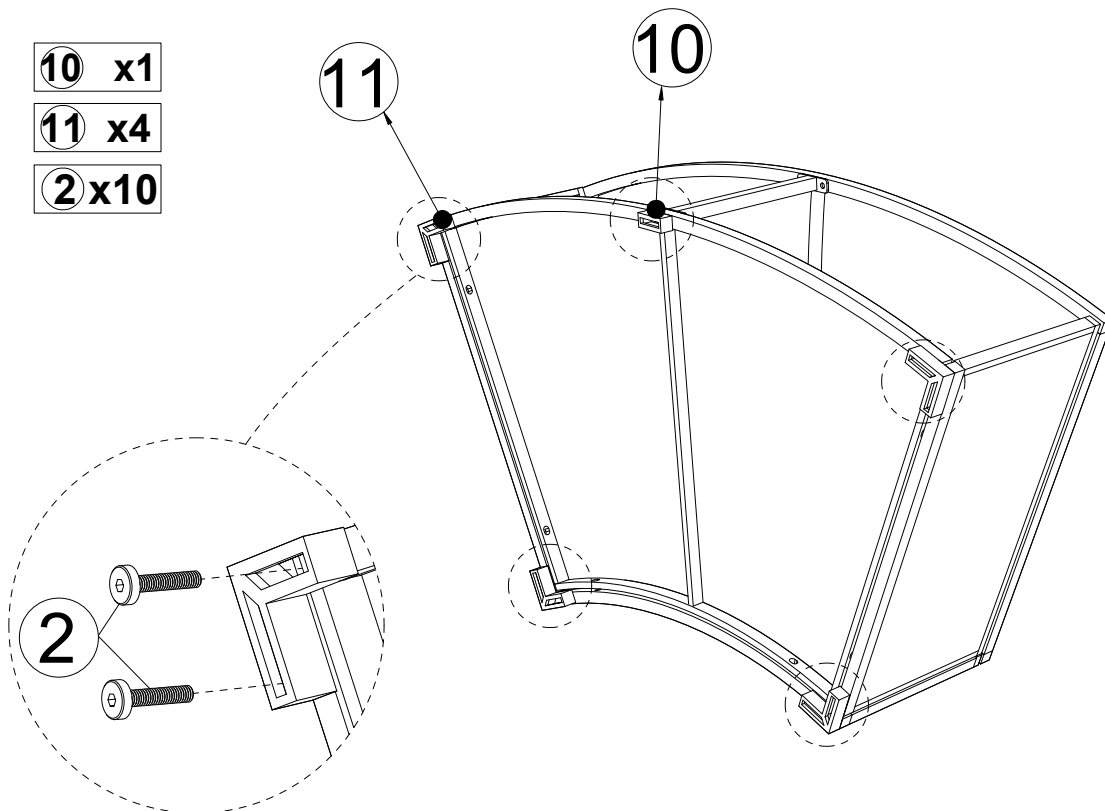
Connect The part from Step 7 & Connecting Bar (Q), tighten Bolt (1) & Flat Washer (7) with Allen Key (8).

# STEP 9

10 x1

11 x4

2 x10

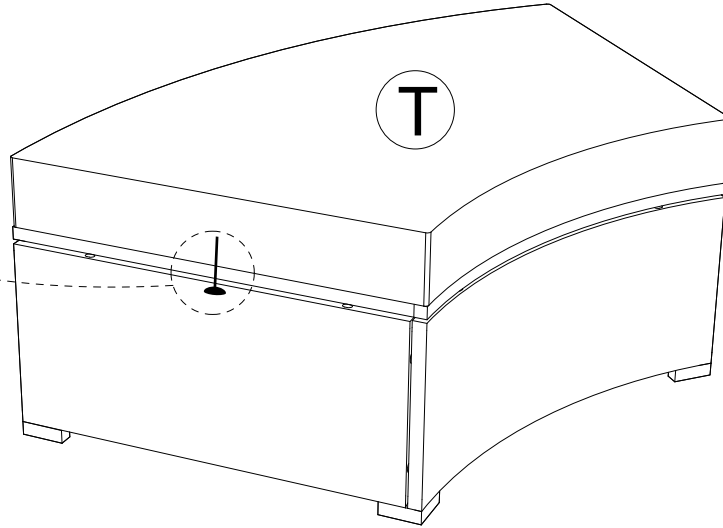
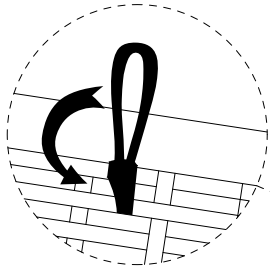
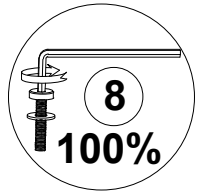


x4

Connect The part from Step 8 & the plastic Legs (10)+(11), tighten Bolt (2) with Allen Key (8).

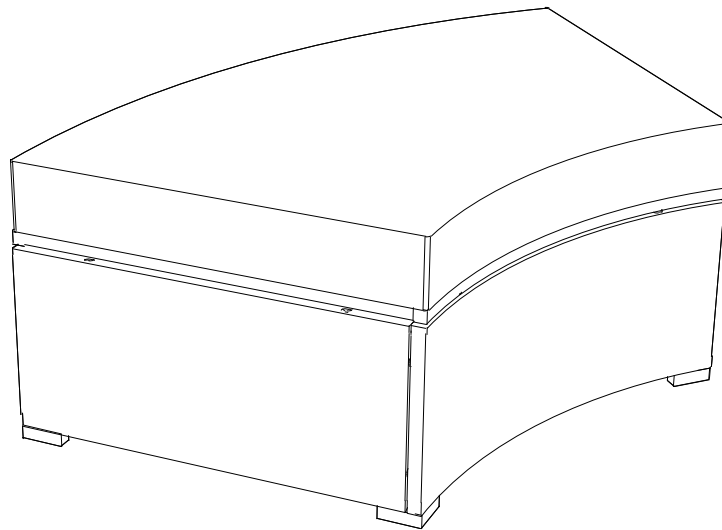
# STEP 10

T x1



**x4**

**Put the Stool upright, firmly tighten Bolts with Allen Key (8). Put Cushion (T) & fixing by pinning plastic button to the side stool to finish the Stool.**



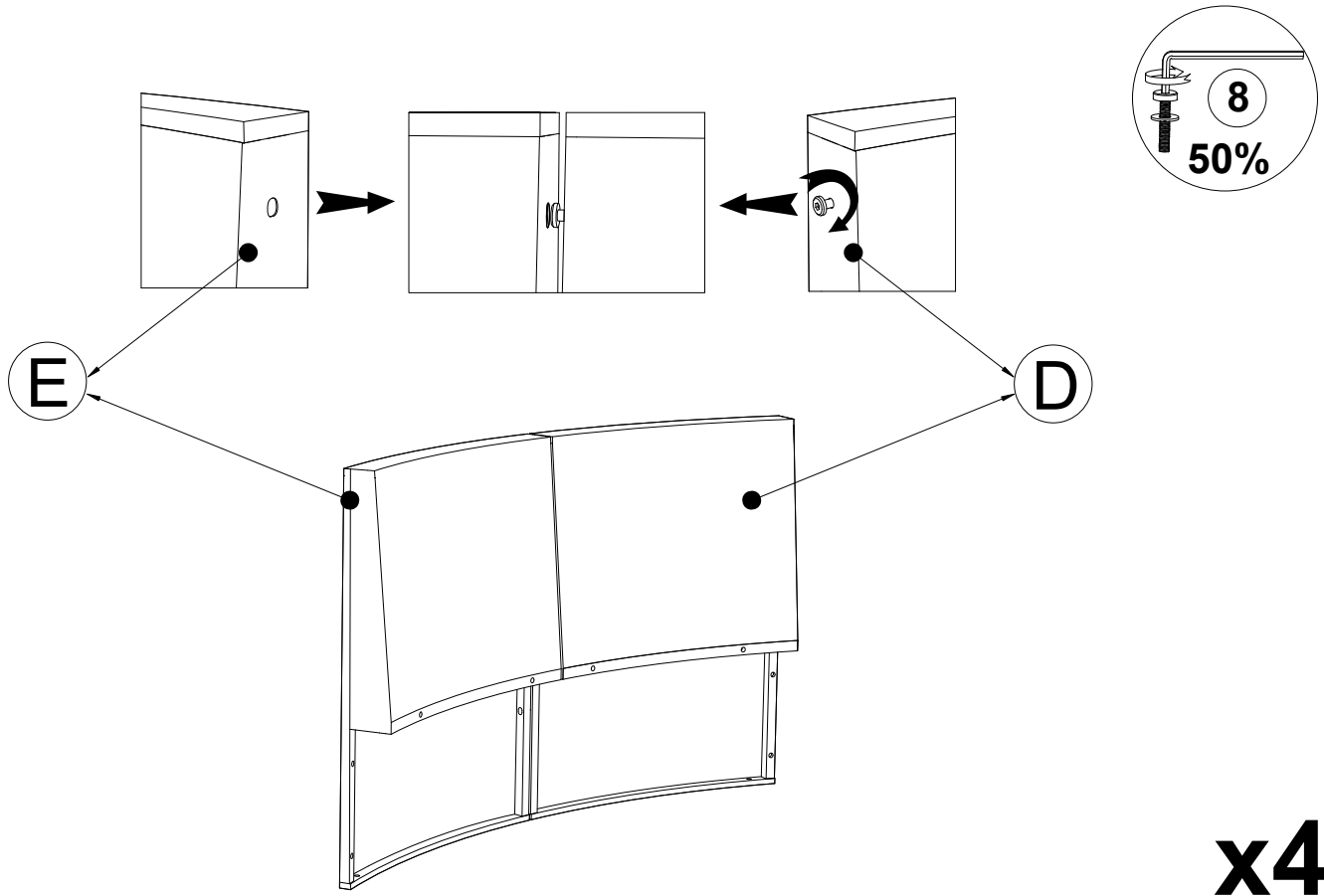
**x4**

**Finish Stool.**

# STEP 11

D x1

E x1



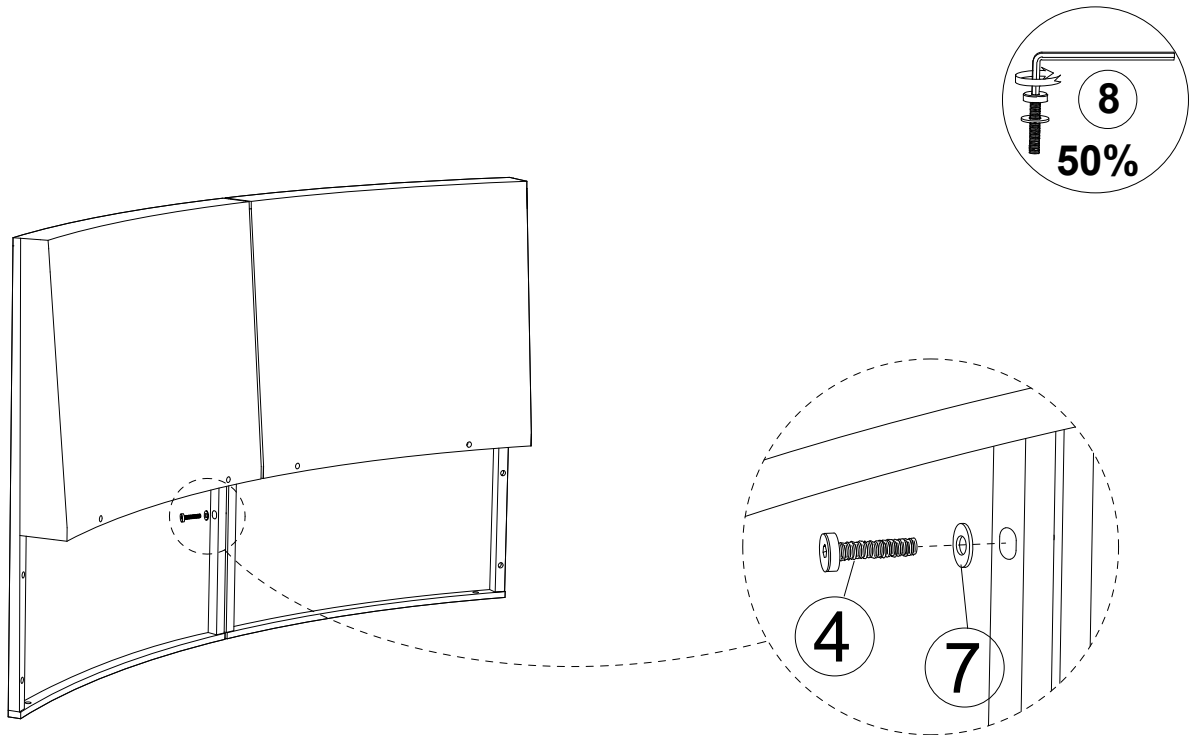
x4

Loosen Bolt on the Left Back Chair Frame (D)  
Connect the Right Back Chair Frame (E) & Left Back Chair Frame (D),

# STEP 12

4 x1

7 x1



x4

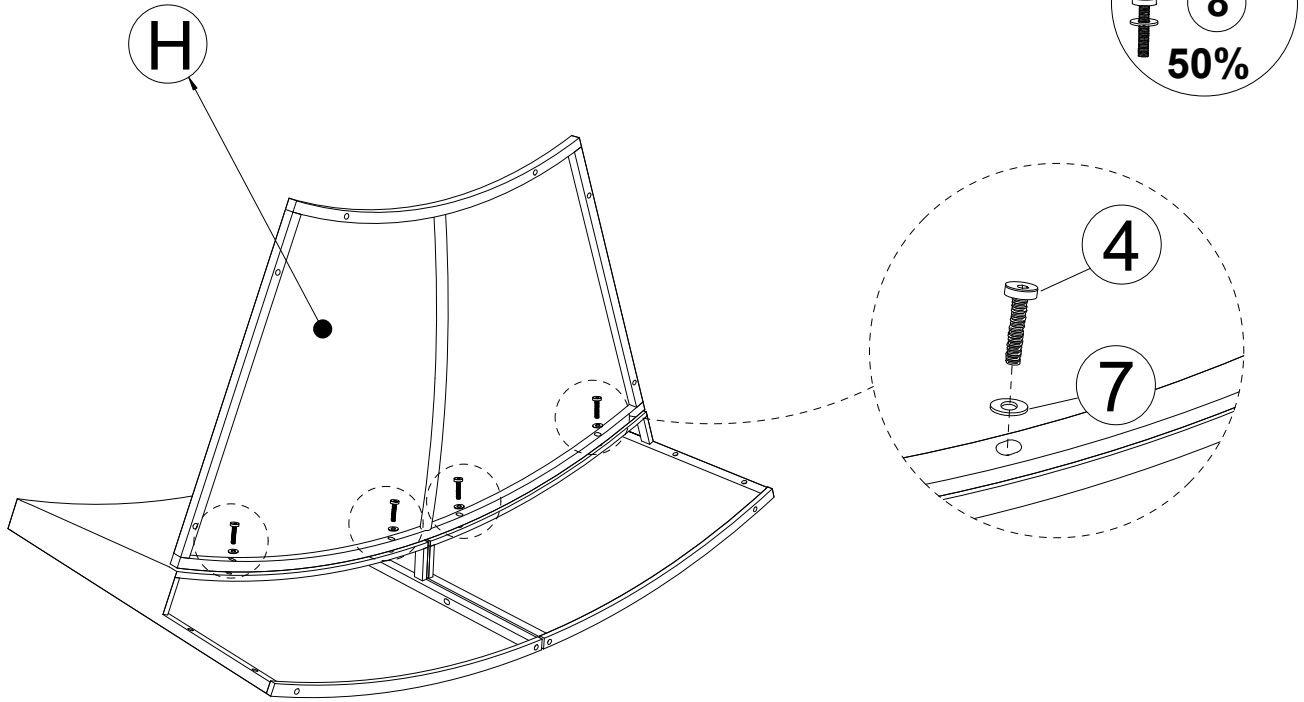
Connect the Left Back Chair Frame (D) & Right Back Chair Frame (E), tighten Bolt (4) & Flat Washer (7) with Allen Key (8).

# STEP 13

H x1

4 x4

7 x4



x4

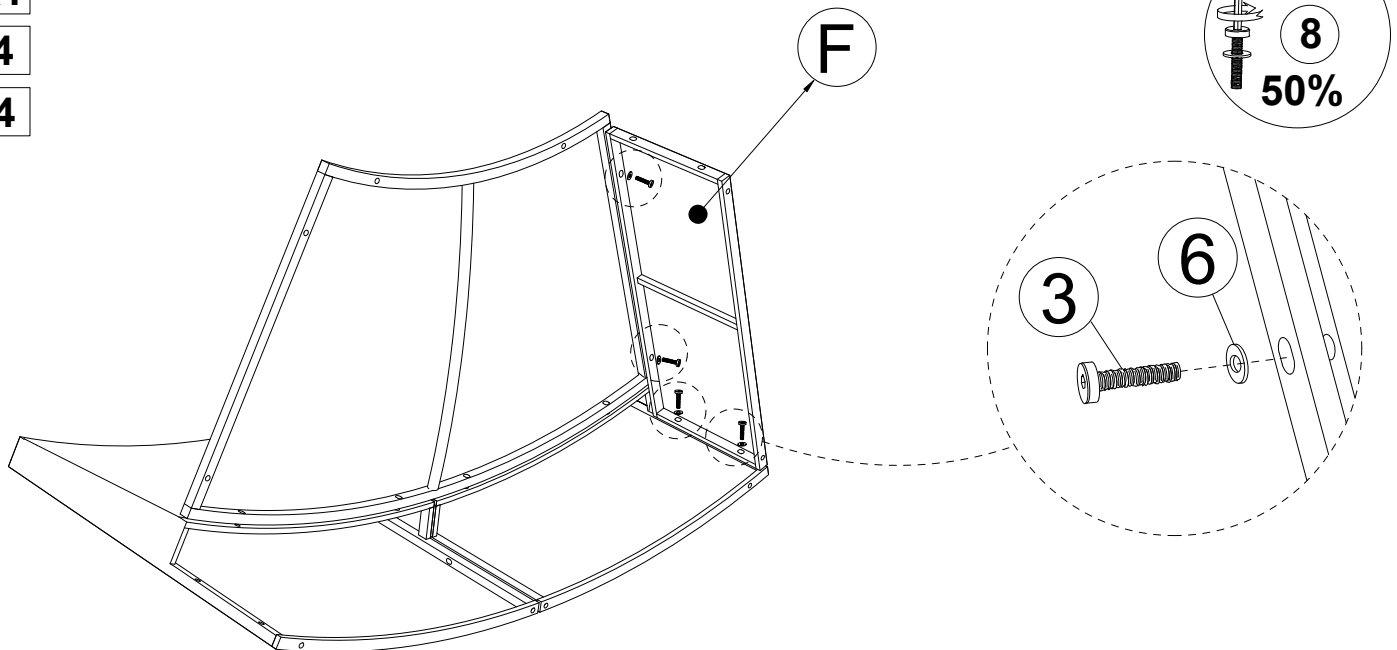
Connect The part from Step 12 & the Seat Chair Frame (H), tighten Bolt (4) & Flat Washer (7) with Allen Key (8).

# STEP 14

F x1

3 x4

7 x4



x4

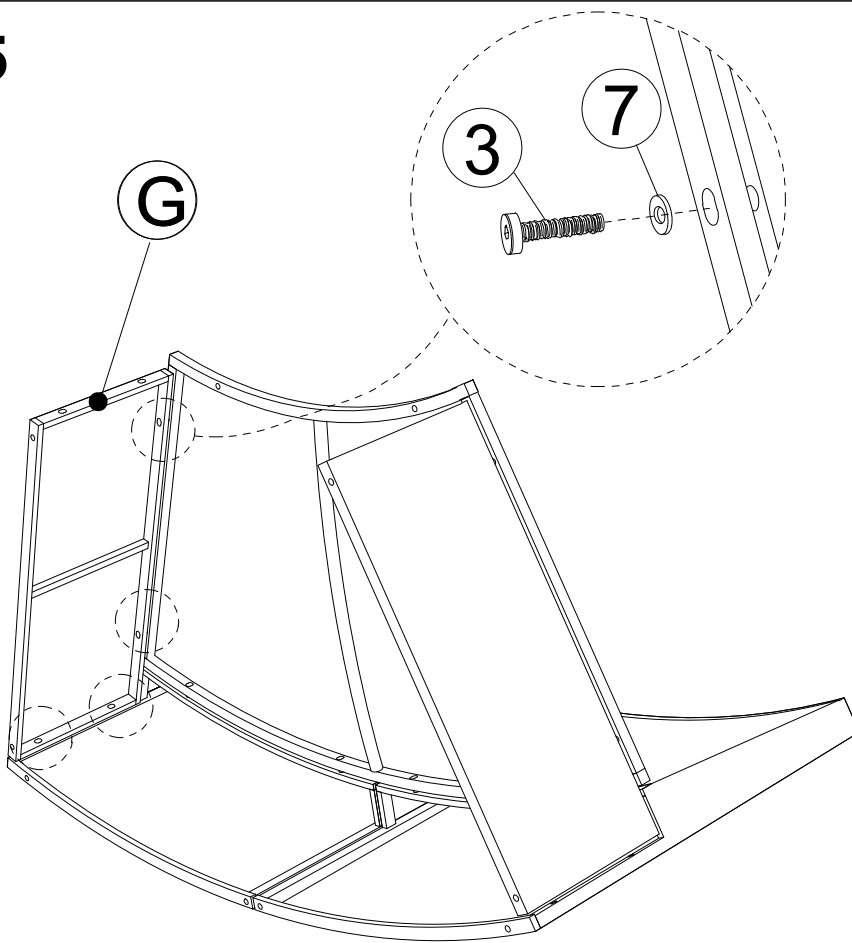
Connect The part from Step 13 & Left Side Chair Frame (F), tighten Bolt (3) & Flat Washer (7) with Allen Key (8).

# STEP 15

G x1

3 x4

7 x4



x4

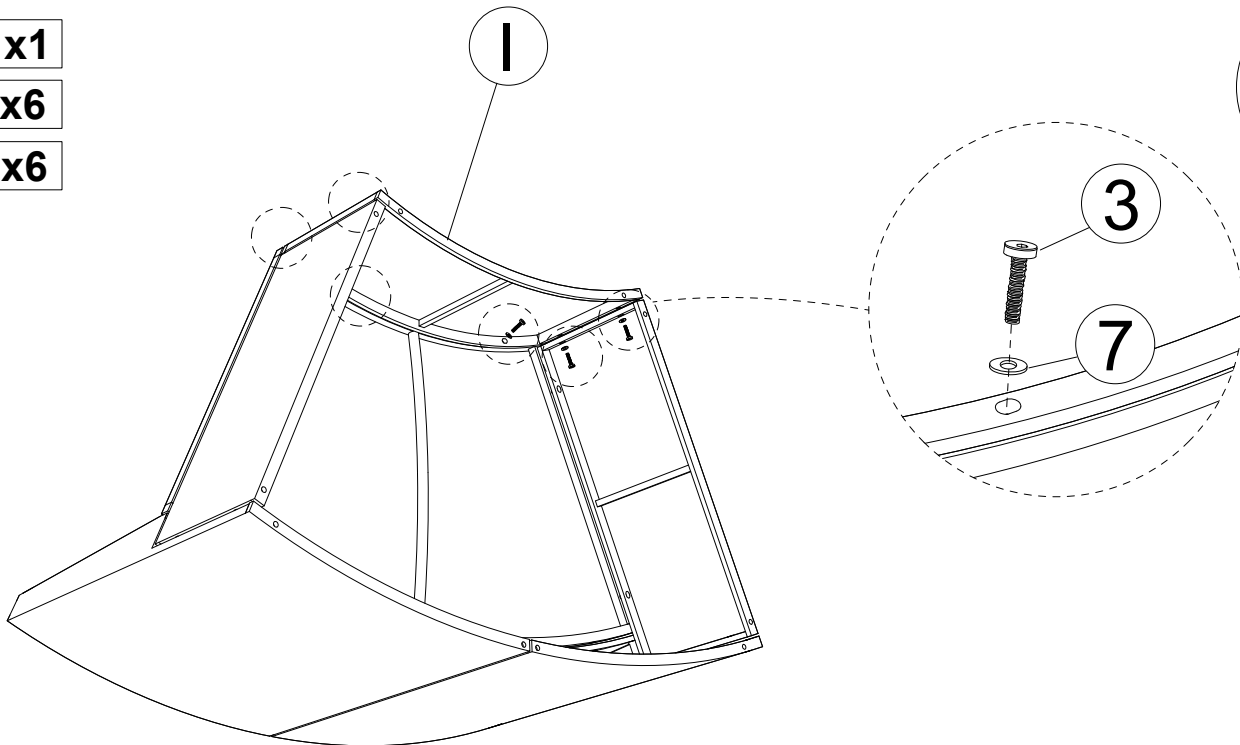
Connect The part from Step 14 & Right Side Chair Frame (G), tighten Bolt (3) & Flat Washer (7) with Allen Key (8).

# STEP 16

I x1

3 x6

7 x6



x4

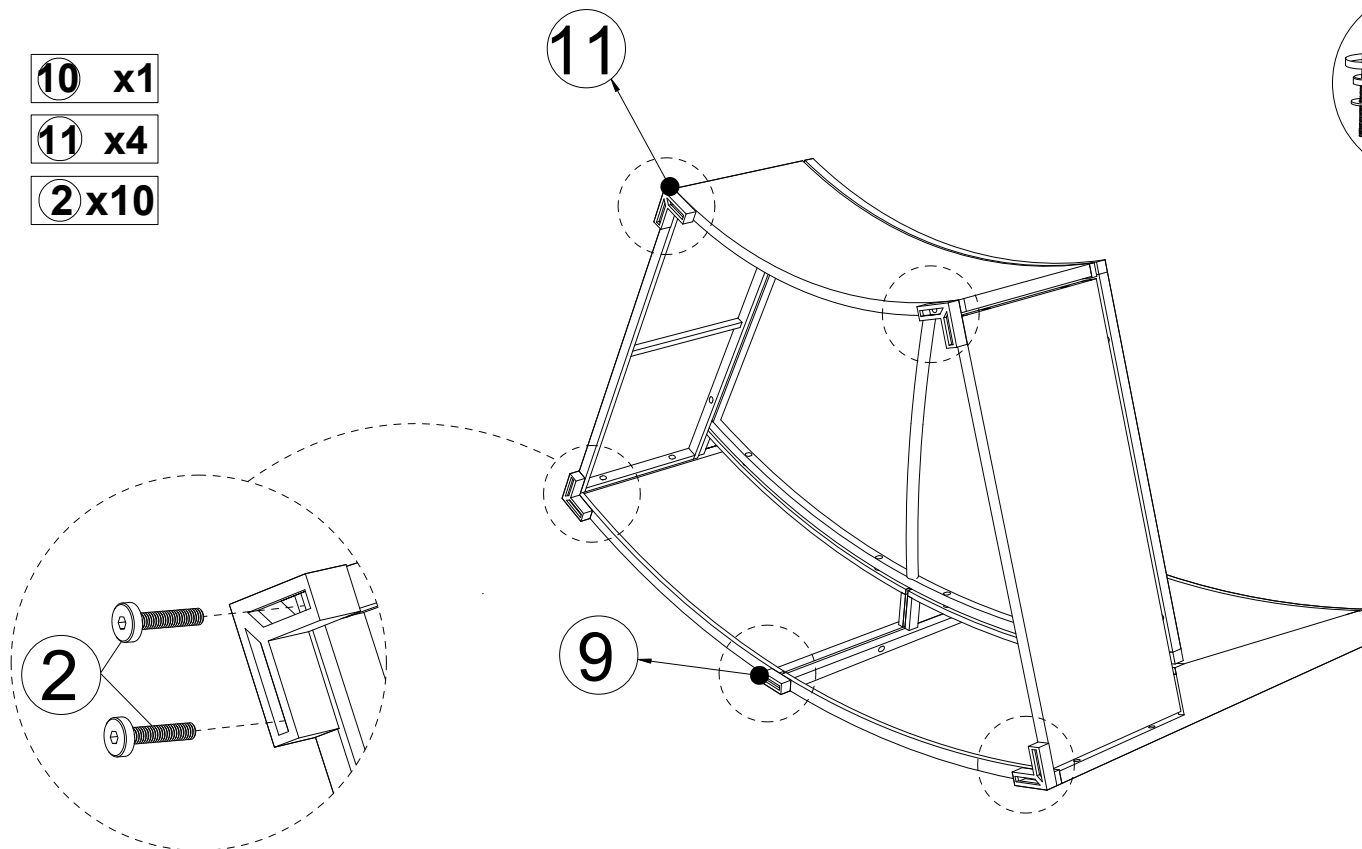
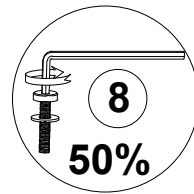
Connect The part from Step 15 & Front Side Chair Frame (I), tighten Bolt (3) & Flat Washer (7) with Allen Key (8).

# STEP 17

10 x1

11 x4

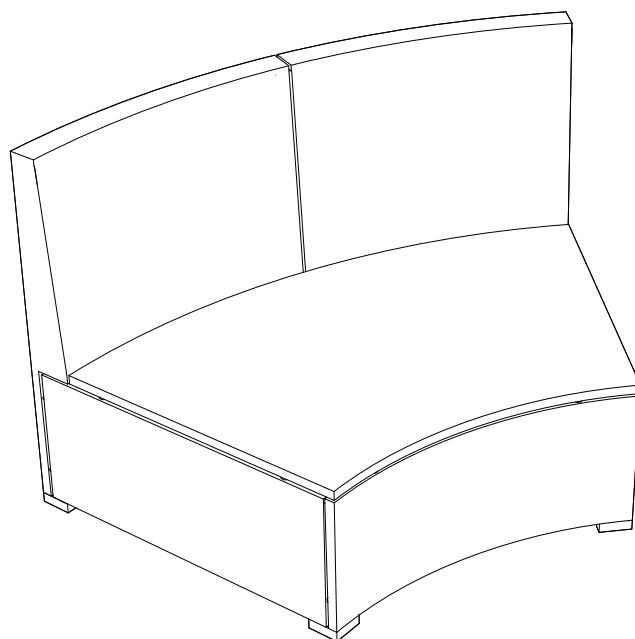
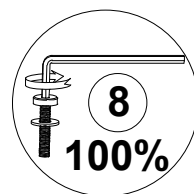
2 x10



x4

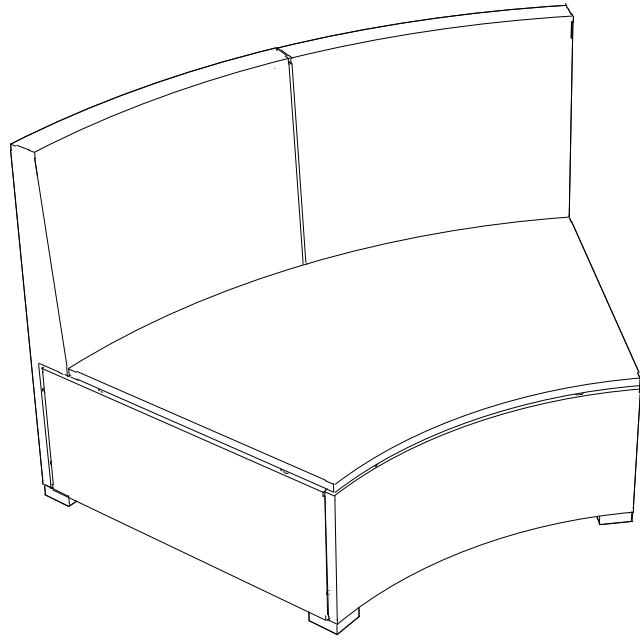
Connect The part from Step 16 & the plastic Legs (10)+(11), tighten Bolt (2) with Allen Key (8).

# STEP 18



x4

Put the Chair upright, firmly tighten Bolts with Allen Key (8).

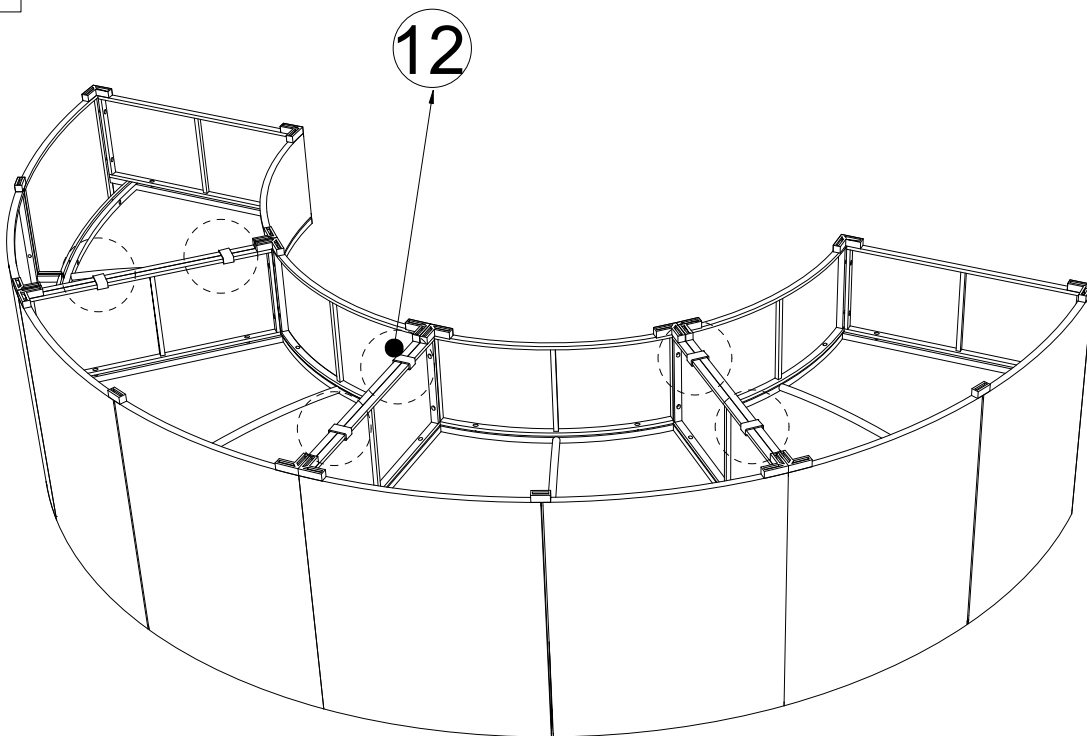


**x4**

**Finish chair.**

## **STEP 19**

**12** x6



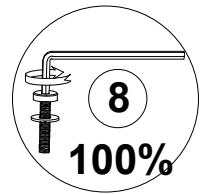
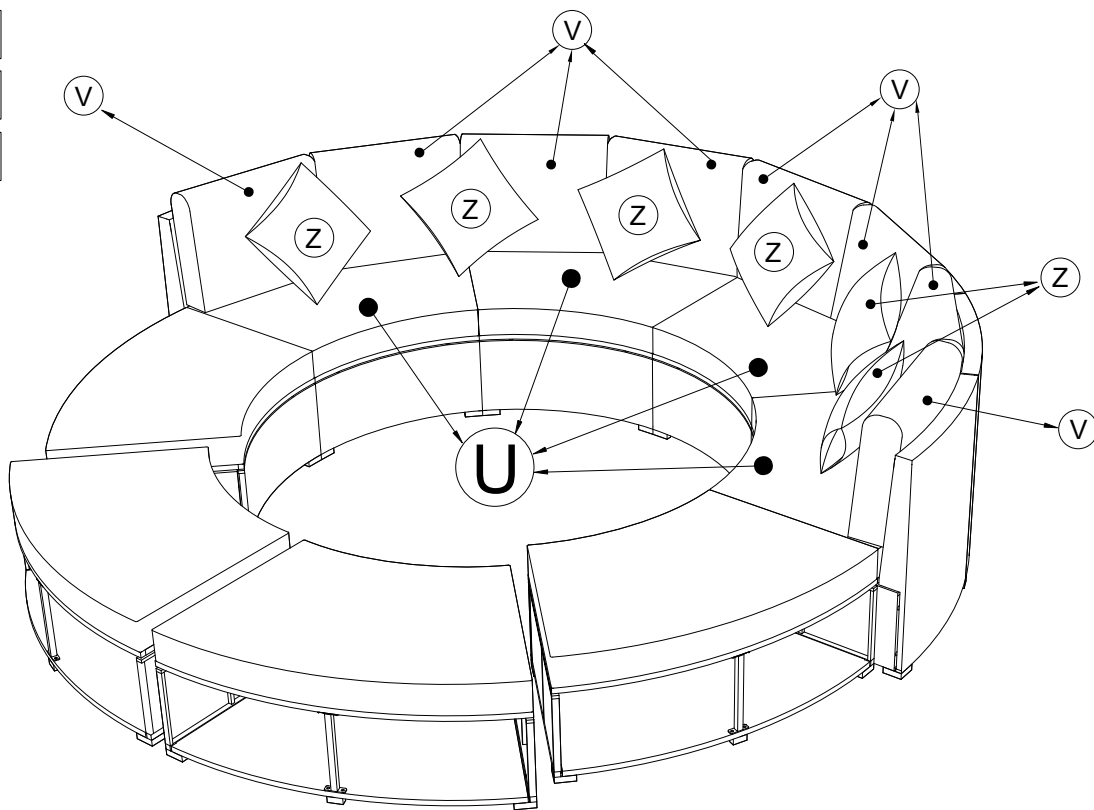
**Connect The Chairs with the Plastic Clips (12) by Hand.**

# STEP 20

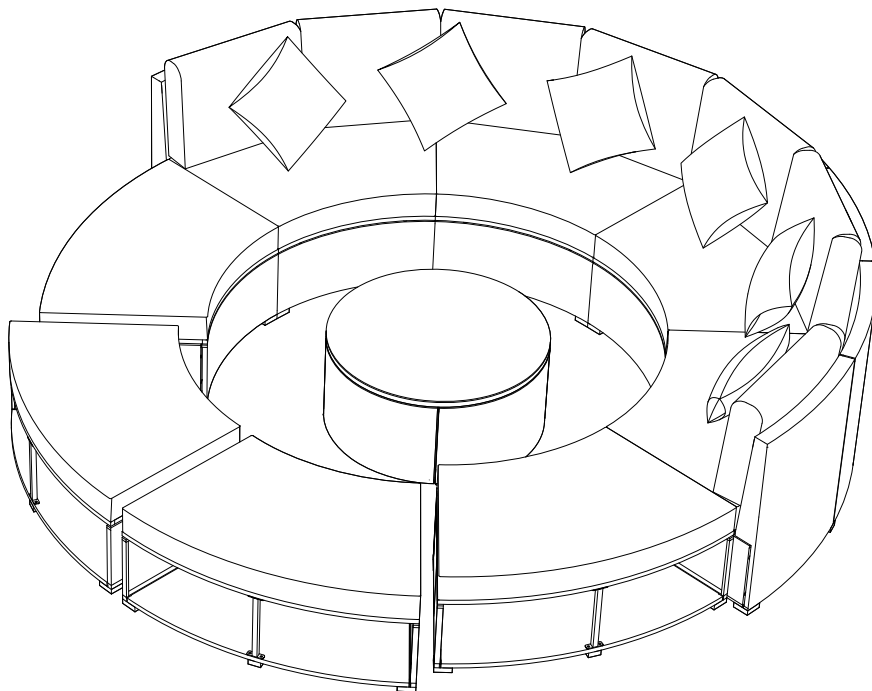
**U** x4

**V** x8

**Z** x6



**Set up the Cushions (U)+(V)+(Z) to finish the Chair.**



**Finish sofa.**