

ASSEMBLY INSTRUCTIONS



Fine Furniture for every stage of life

SOFA

REVISION 0 : 09/08/2025

REVISION 1 : 10/25/2025

REVISION 2 : 11/23/2025

PAGE 1 OF 4

ASSEMBLY INSTRUCTIONS

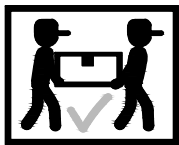
ASSEMBLY TIPS:

1. Remove hardware from box and sort by size.
2. Please check to see that all hardware and parts are present prior to start of assembly.
3. Please follow attached instructions in the same sequence as numbered to assure fast & easy assembly.



WARNING !

1. Don't attempt to repair or modify parts that are broken or defective. Please contact the store immediately.
2. This product is for home use only and not intended for commercial establishments.

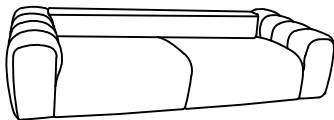


ASSEMBLY TIME

8 MINUTES

PARTS IDENTIFICATION

A. SOFA
BASE



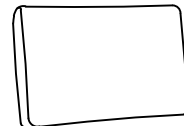
1PC

B. LEG



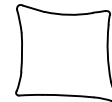
5PCS

C. BACKREST



2PCS

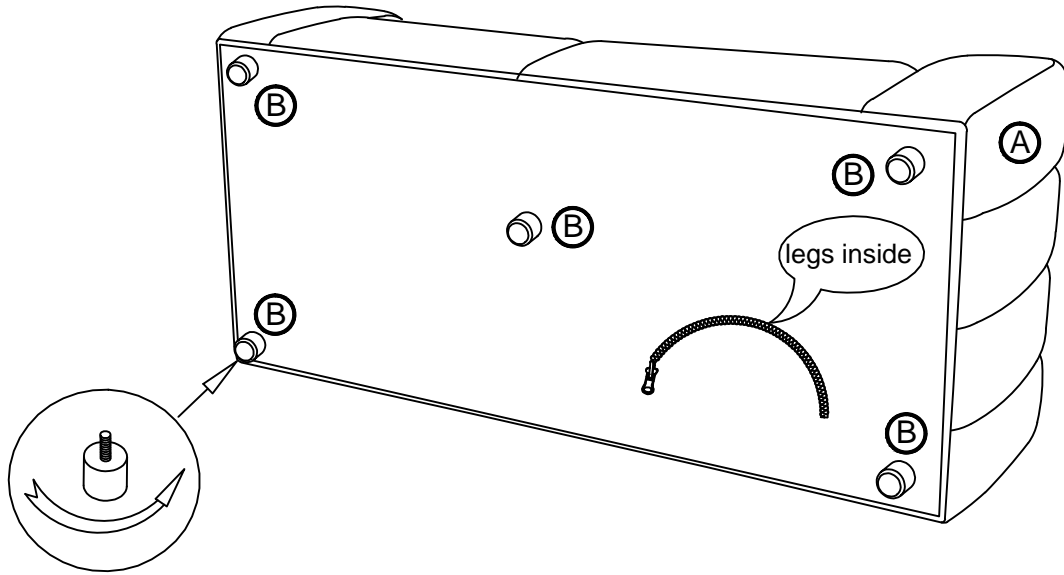
D. PILLOW



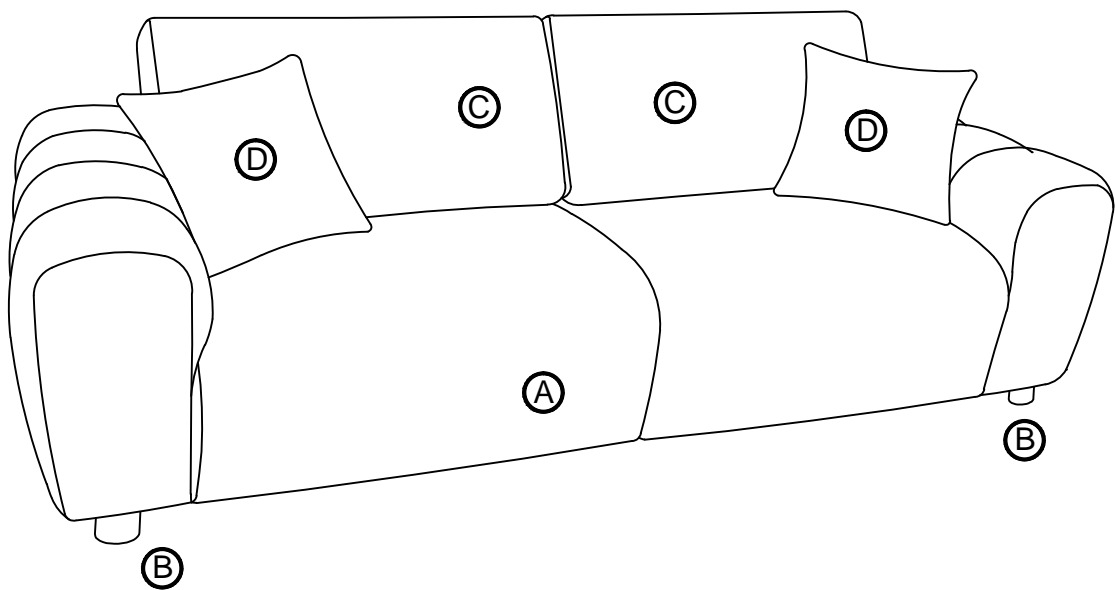
2PCS

ASSEMBLY INSTRUCTIONS

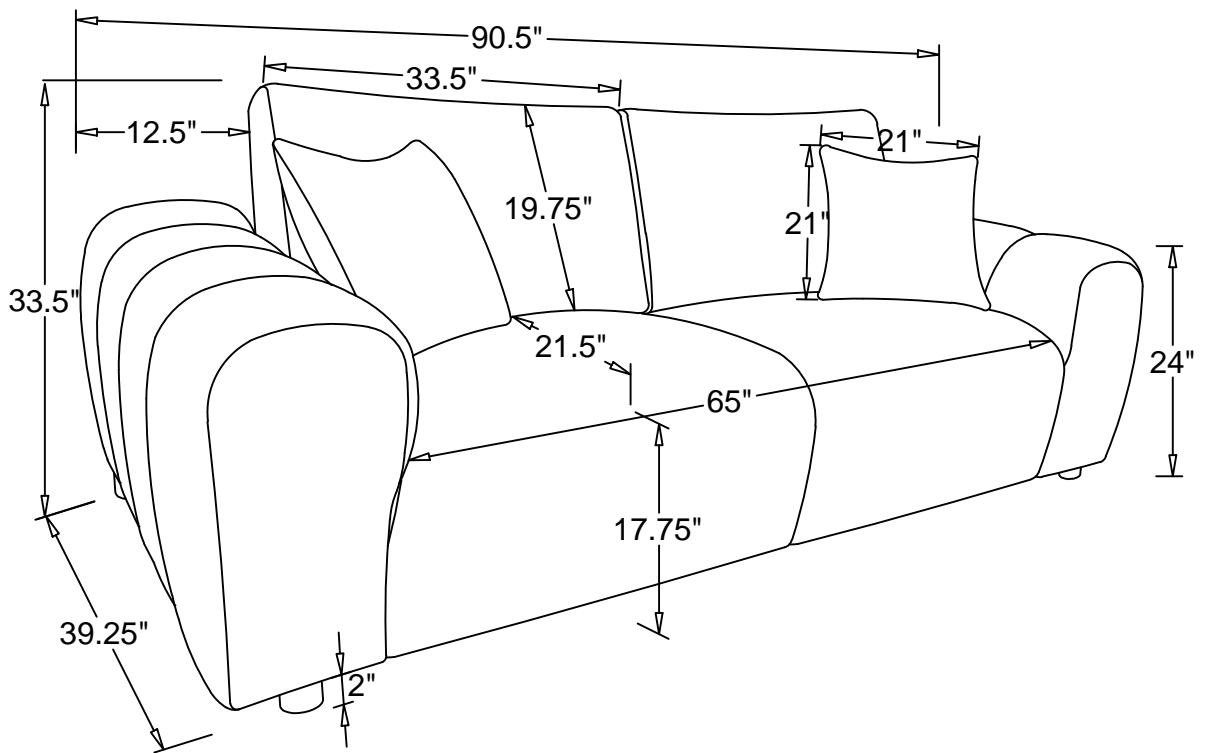
STEP 1



STEP 2



ASSEMBLY INSTRUCTIONS



Note: Dimension tolerance $\pm 5\%$

