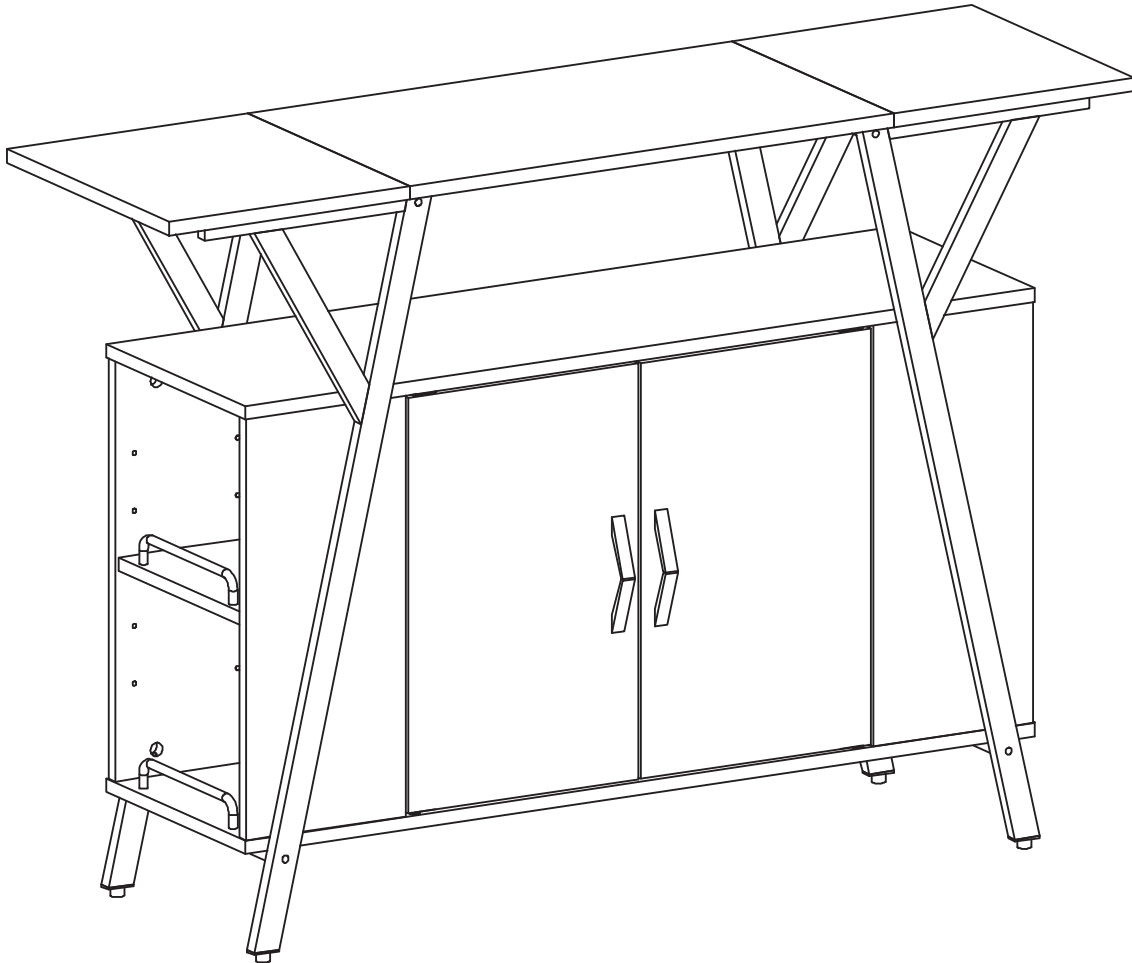


47" Kitchen Storage Sideboard

ASSEMBLY INSTRUCTION



HELPFUL HINTS

! BEFORE YOU START

- Inspect product packaging to ensure the appearance is good.
- Read the assembly instruction carefully and follow it step by step.
- To avoid any scratching, putting a soft blanket on the floor is suggested.
- Identify, sort and count all the parts with tags.
- Find out installation position according to the drawing and install it in correct steps.

! OTHER

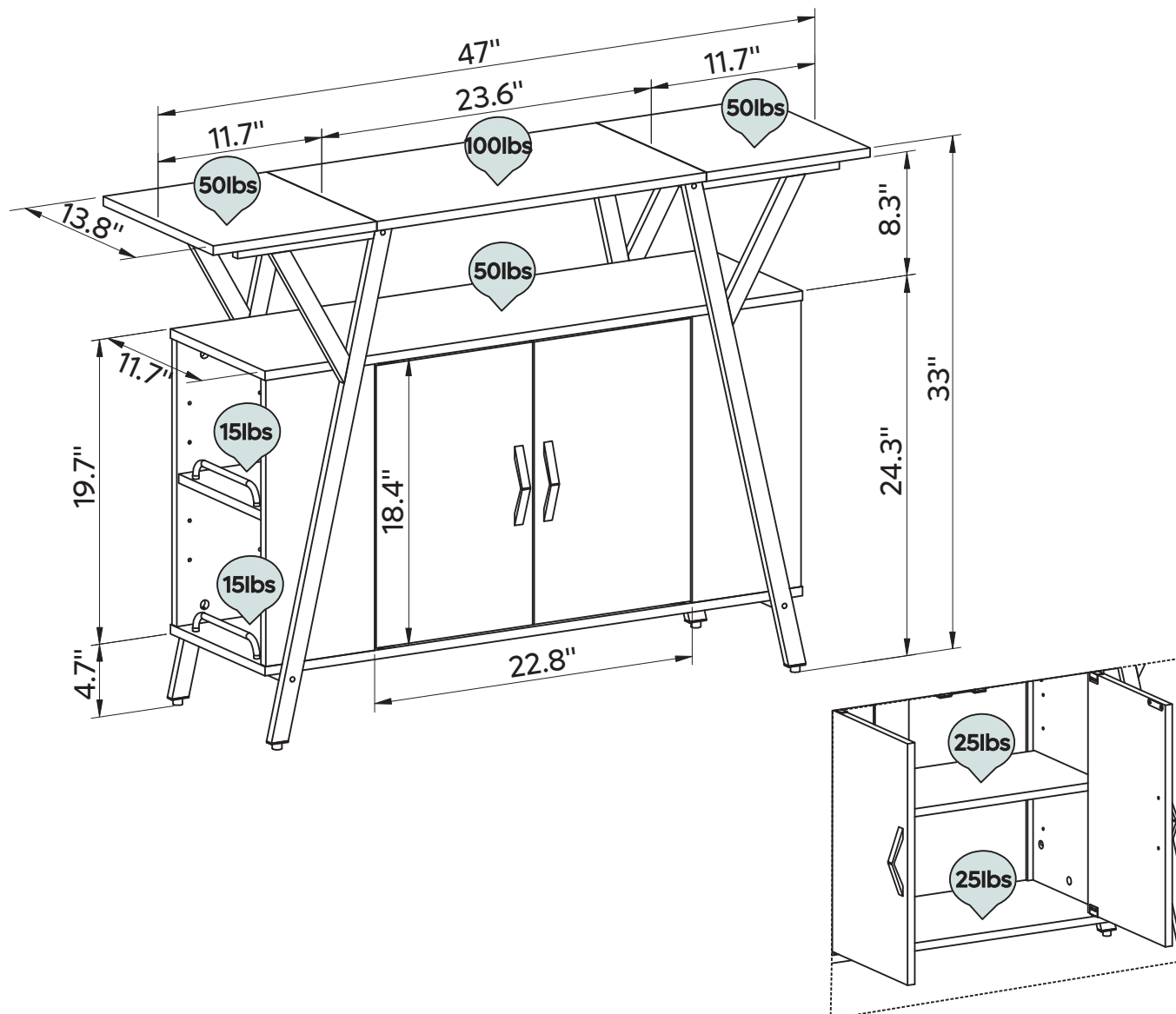
- People needed for assembly: 2.
- Estimated assembly time: 0.5-1h.
- An electric drill needed.

! CAUTION

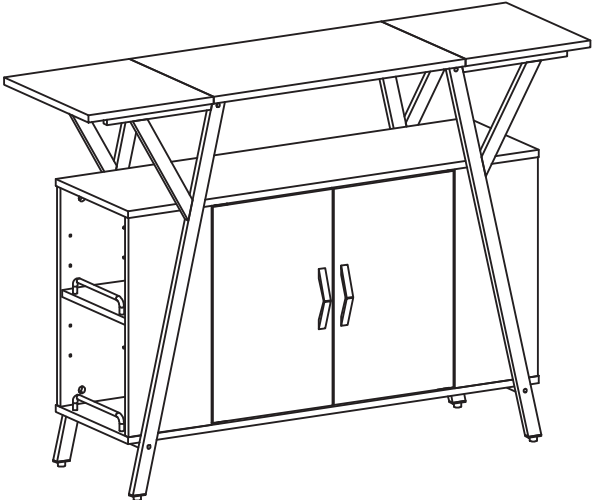
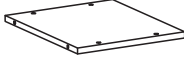

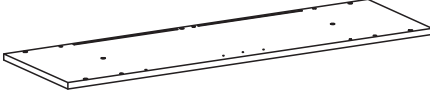

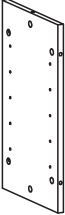

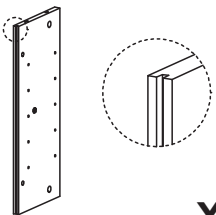




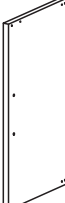
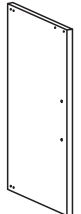


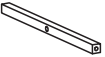


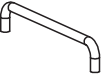


- Be cautious when using a power drill or power screwdriver.
- Please be aware to slow down and stop when screw is nearly tight.
- Do Not use any harsh chemicals or abrasive cleaners for this item.
- Push, pull or drag this item carefully.

DETAILS




















UNIT : INCH



PART LIST

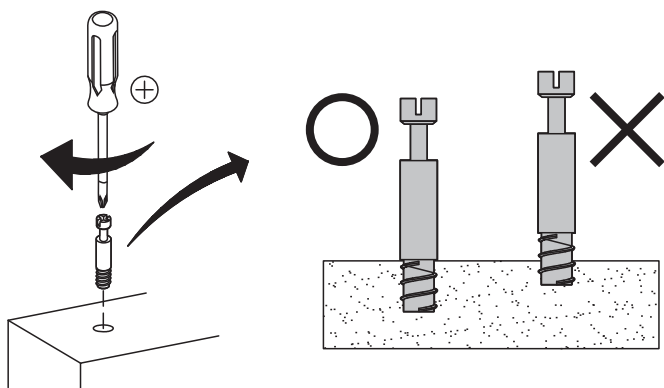
	1  X2	2  X1		
	3  X1			
	4  X1			
5  X2	6  X2	7  X2	8  X1	
9  X2	10  X2	11  X1	12  X1	
13  X1	14  X2	15  X2	16  X4	
17  X1	18  X1	19  X4	20  X2	21  X1

ACCESSORY LIST

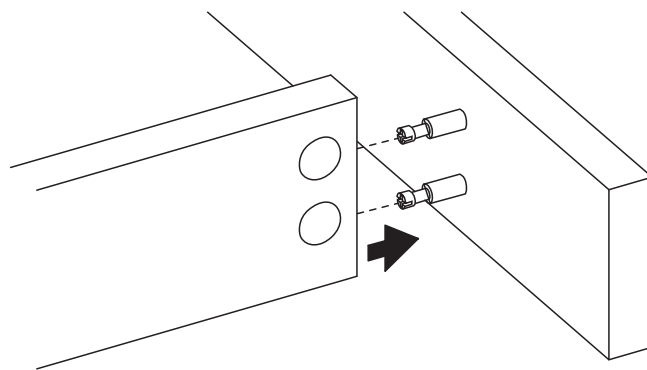
No.	PICTURE	SIZE	QTY	No.	PICTURE	SIZE	QTY	
A		ST6x35mm	22+1	I		Ø22mm	8+1	
B		Ø15mm	22+1	J		M6-Ø15mm	4	
C		Ø8x30mm	14+1	K			2	
D		M6x25mm	26+1	L			2	
E		M4x18mm	12+1	M		Ø12-Ø8mm	2	
F		Ø5x17mm	12+1	N	 N1 x1	 N2 x1	2	
G		ST3x14mm	23+1		 N3 x2	 N4 x1 ST4x38mm		
H			8+1				M4	1

Detailed Installation for Accessory A B

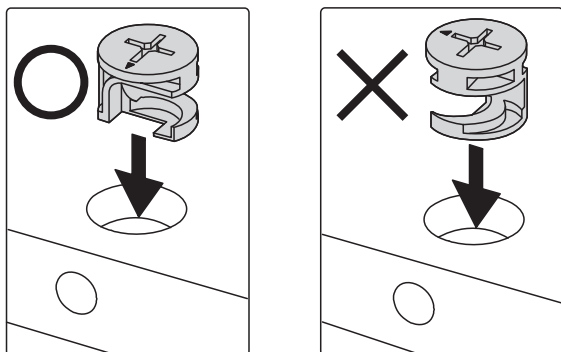
1 Screw cam dowel on the panel.



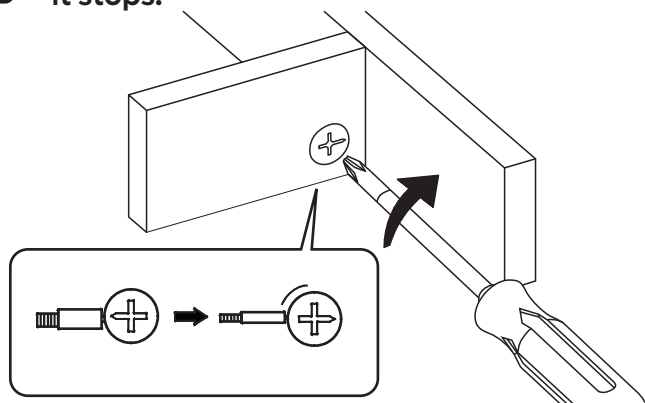
2 Place another panel via the dowel.



3 Pay attention to the direction of cam lock when putting it into hole.

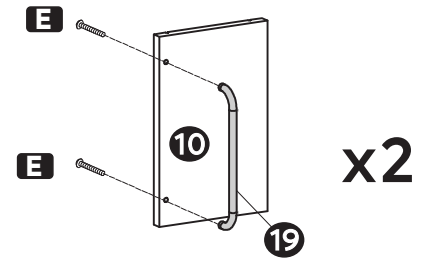
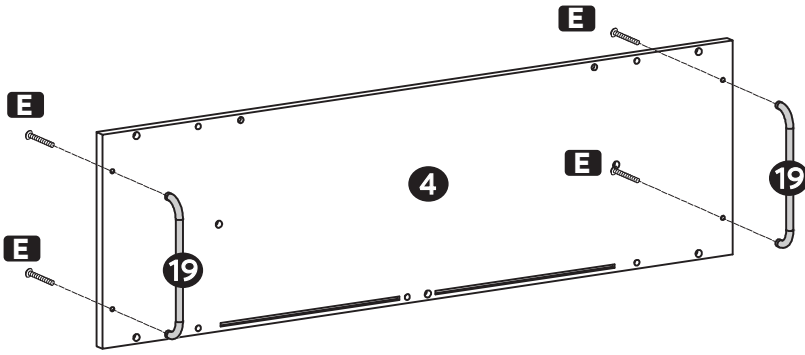


4 Tighten up cam lock clockwise until it stops.



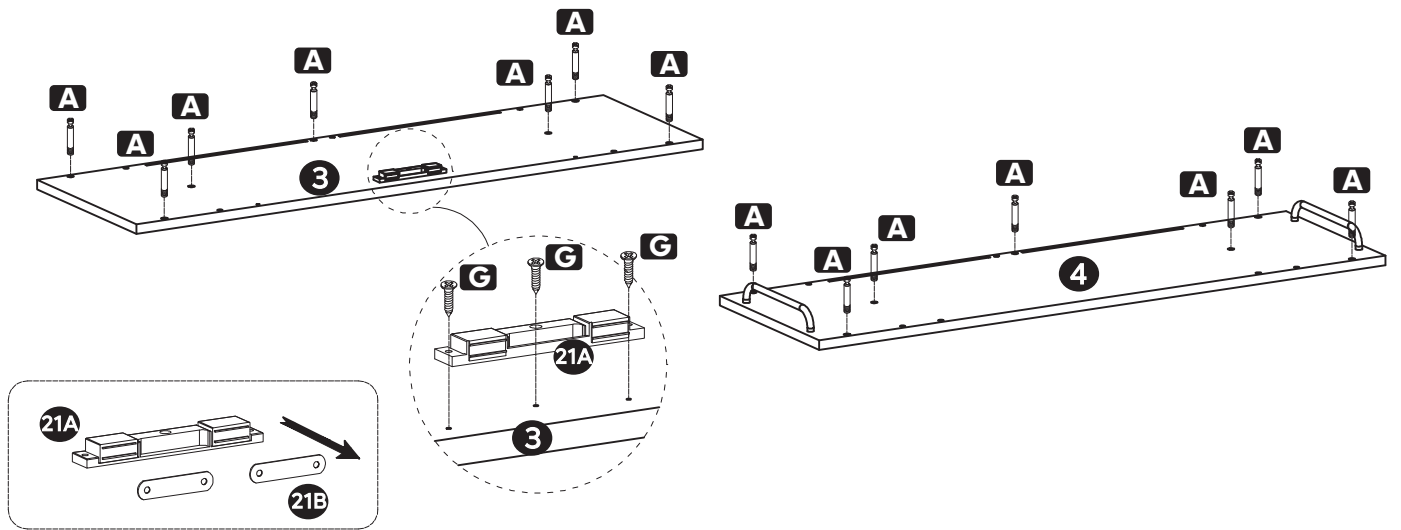
STEP 1

※To avoid any scratching, putting a soft blanket on the floor is suggested.

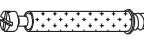


E  M4x18mm 8

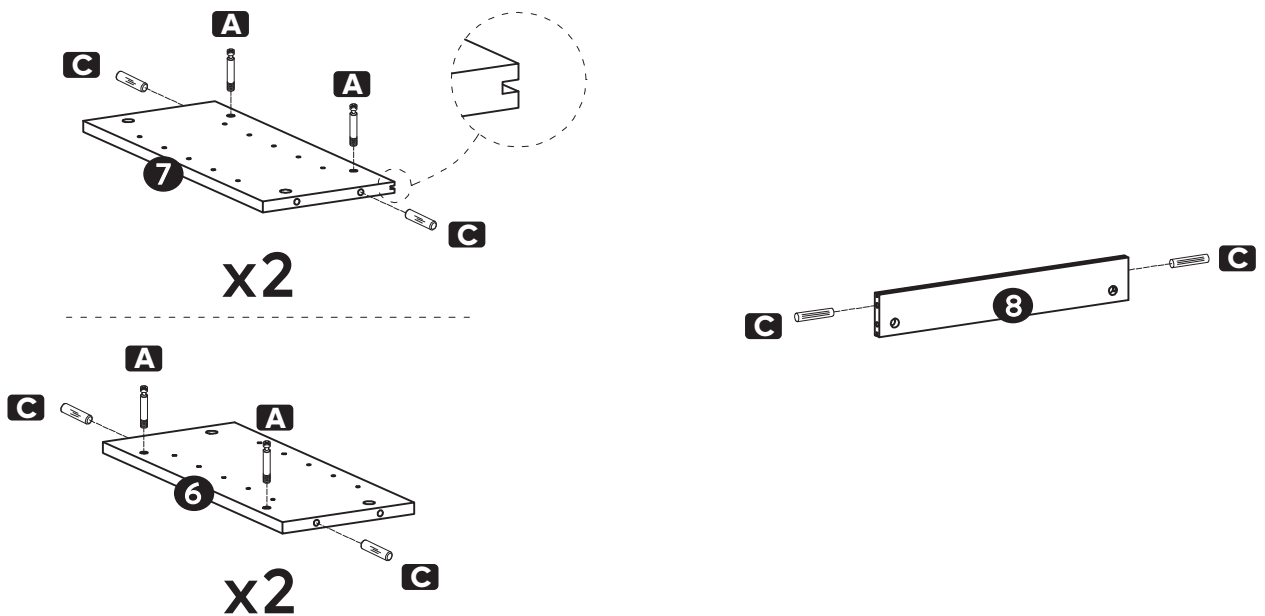
STEP 2

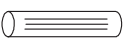


G  ST3x14mm 3

A  ST6x35mm 14

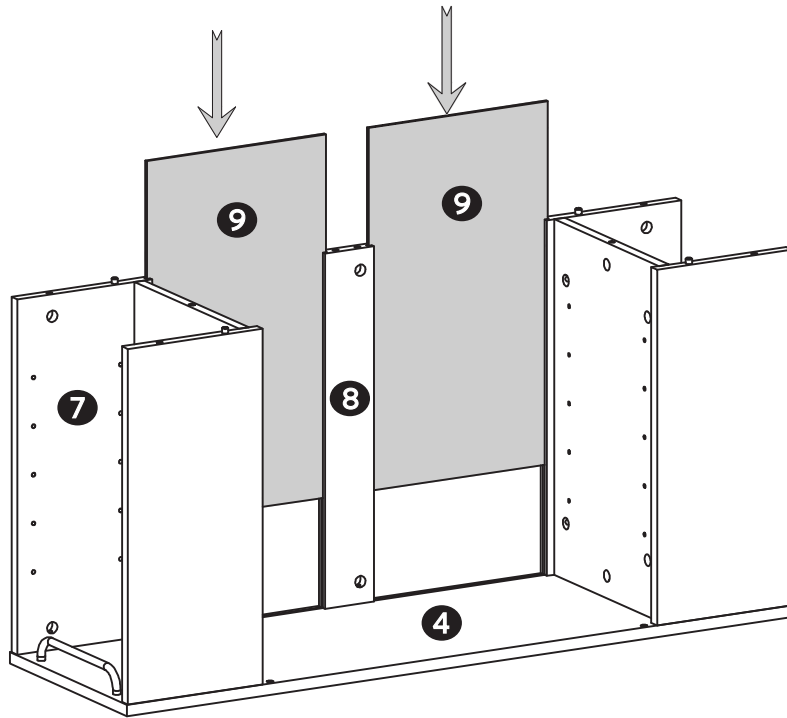
STEP 3



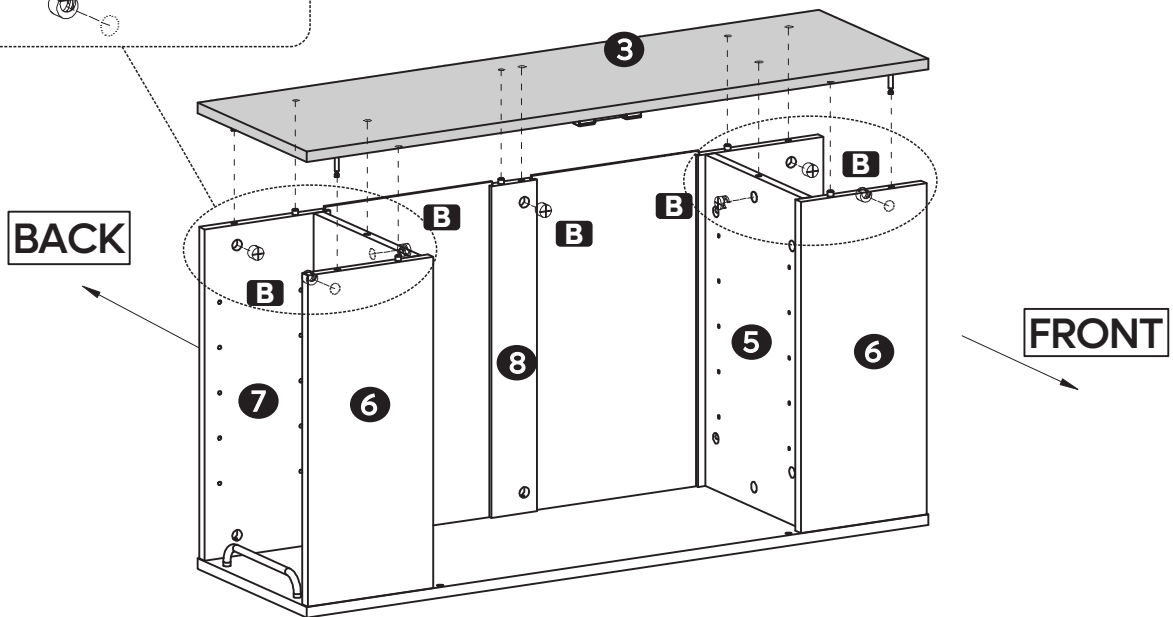
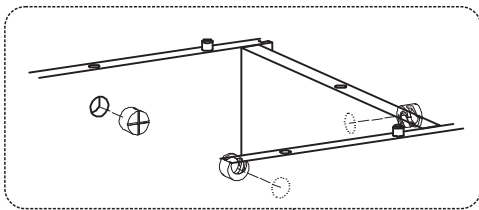
C  Ø8x30mm 10

A  ST6x35mm 8

STEP 6



STEP 7



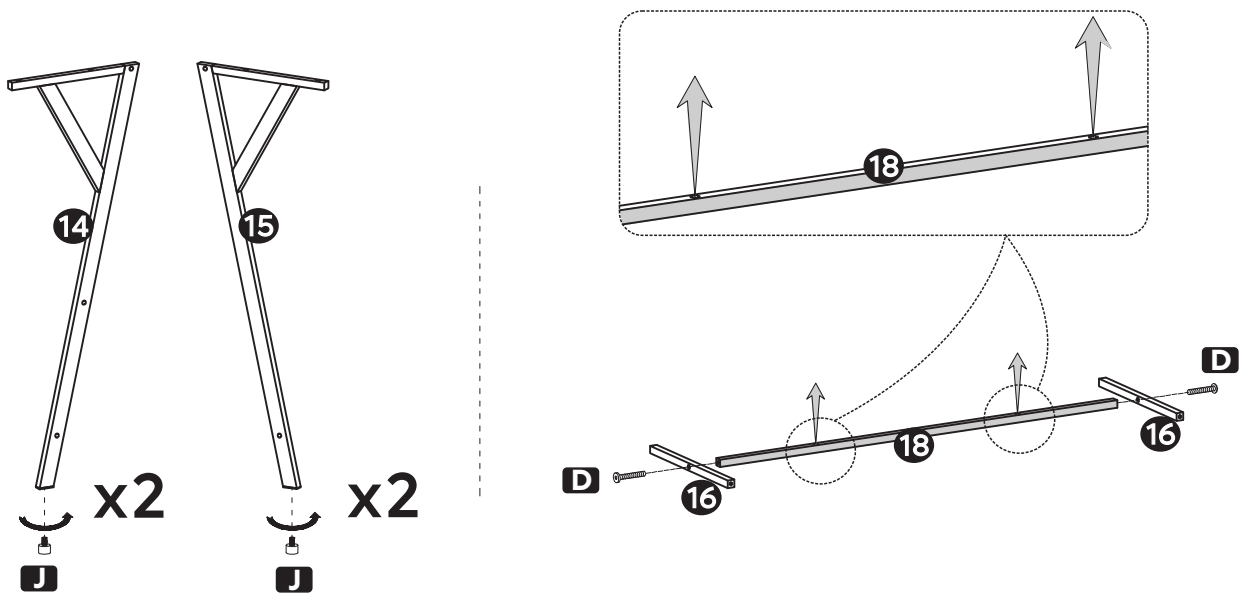
B



Ø15mm

7

STEP 8



J



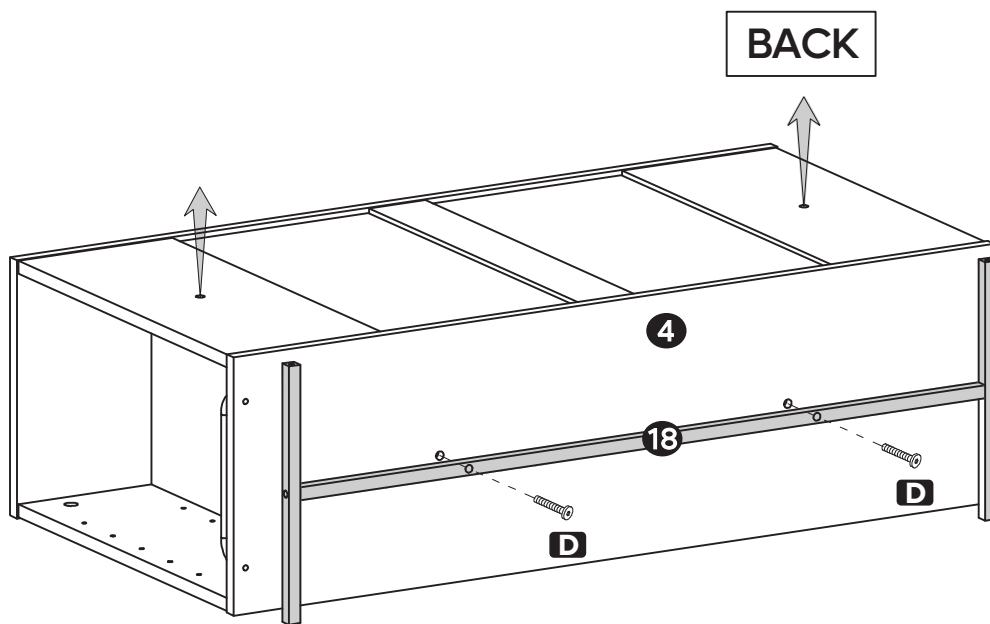
M6-Ø15mm 4

D



M6x25mm 2

STEP 9

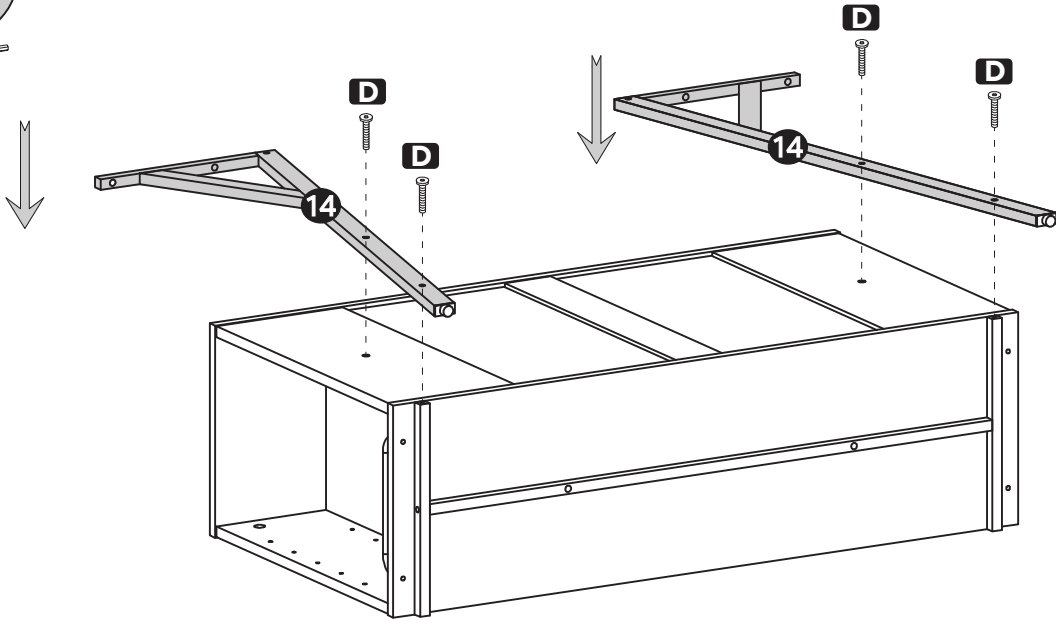


D



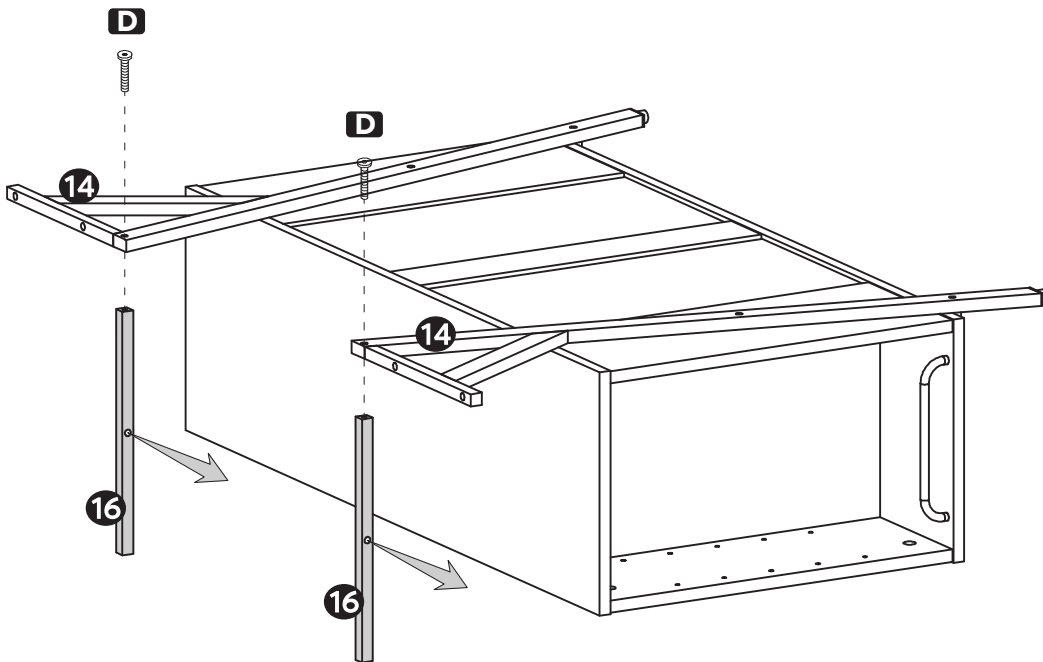
M6x25mm 2

STEP 10



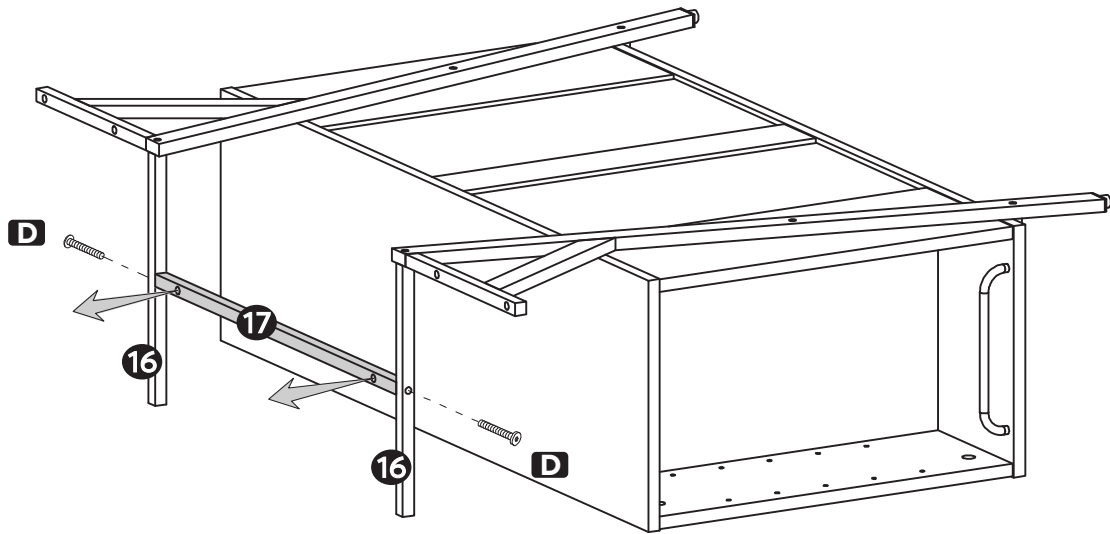
D  M6x25mm 4

STEP 11



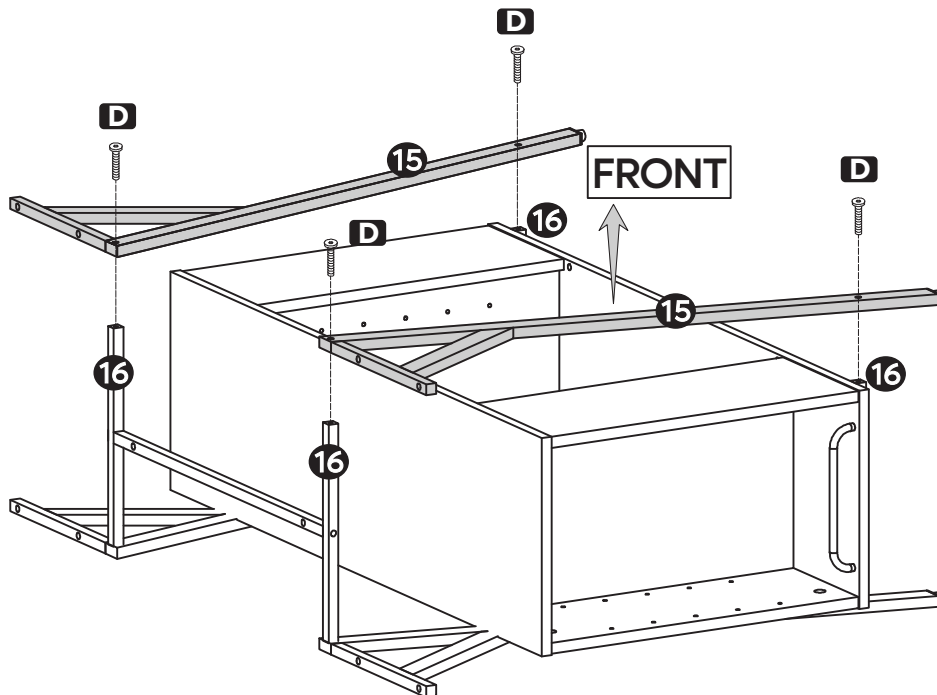
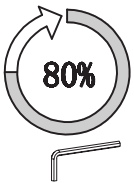
D  M6x25mm 2

STEP 12



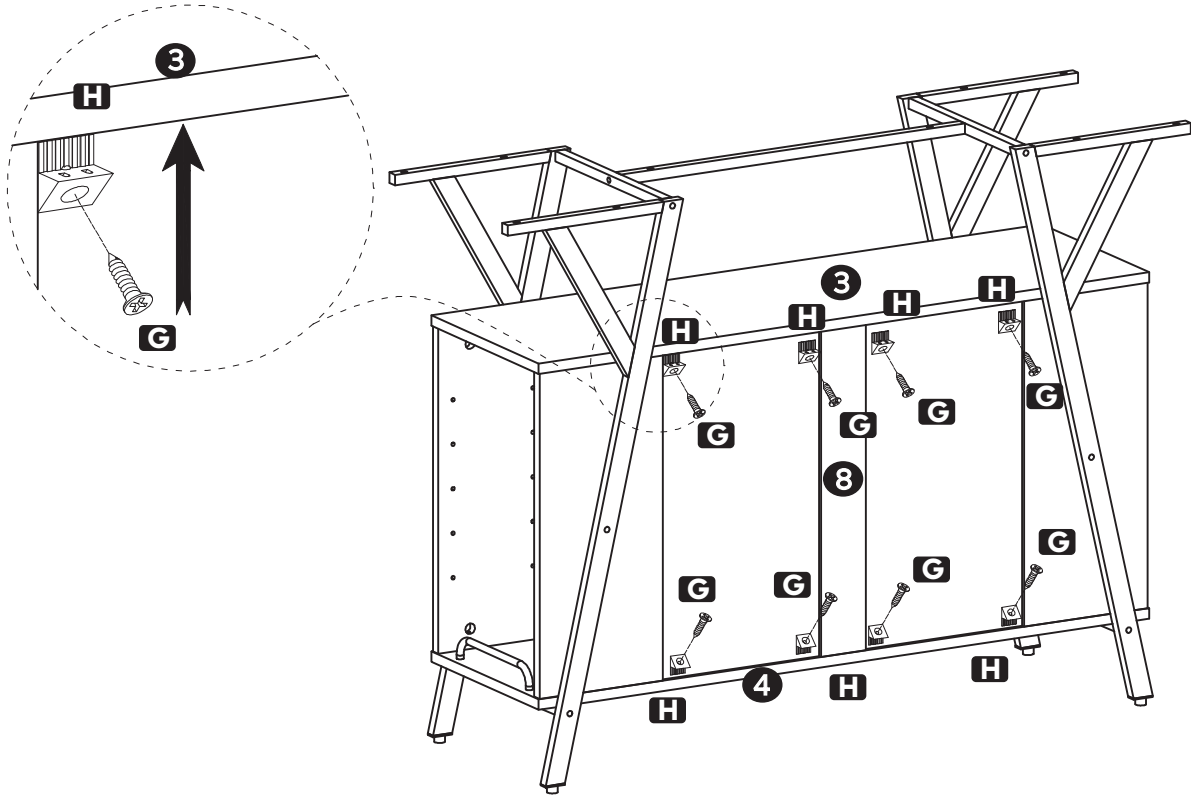
D  M6x25mm 2

STEP 13



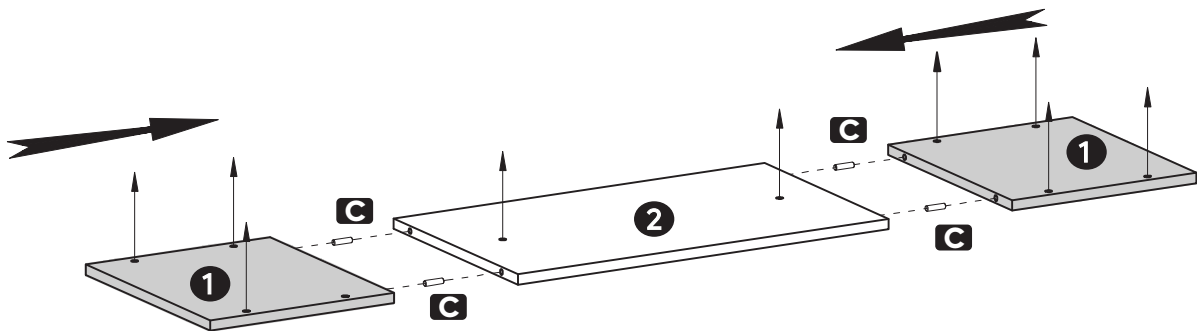
D  M6x25mm 4

STEP 14



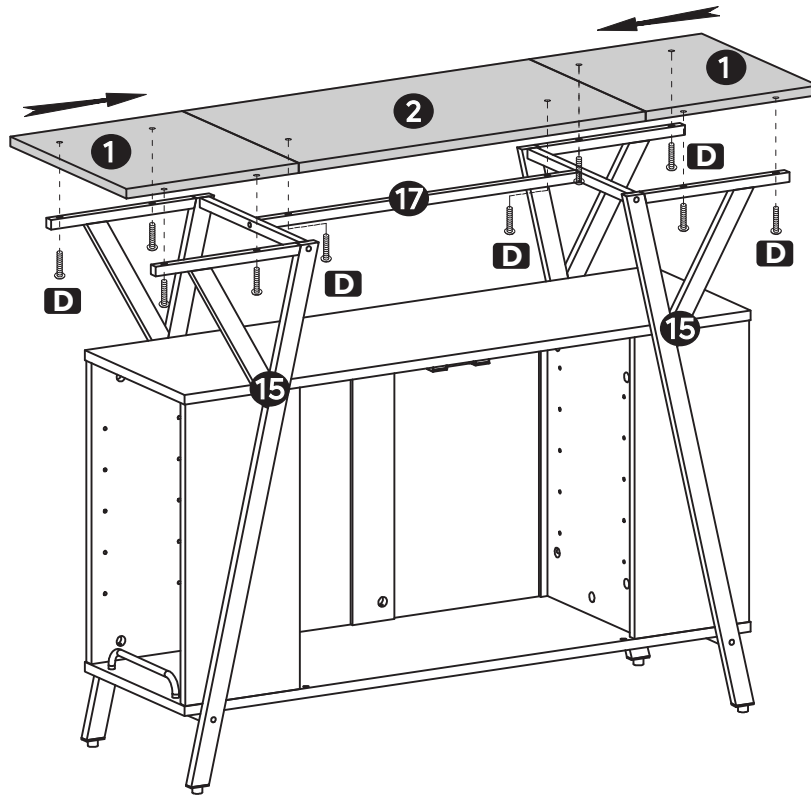
G  ST3x14mm 8 **H**  8

STEP 15



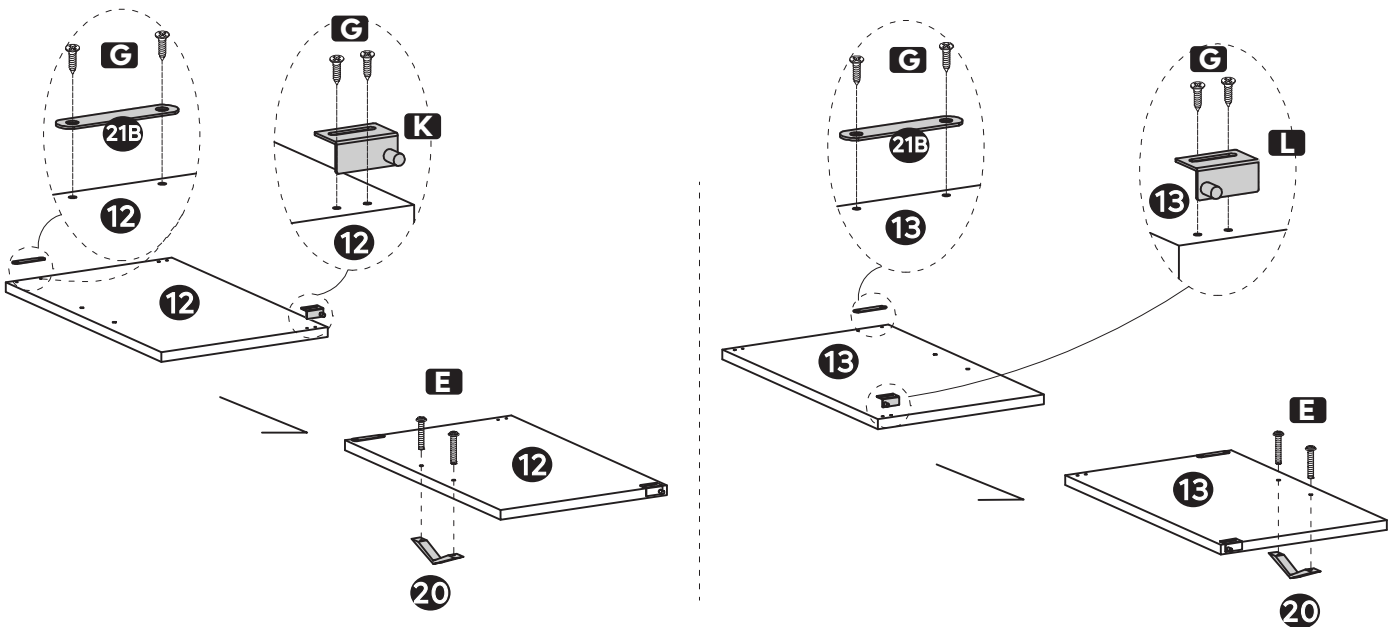
C  Ø8x30mm 4

STEP 16



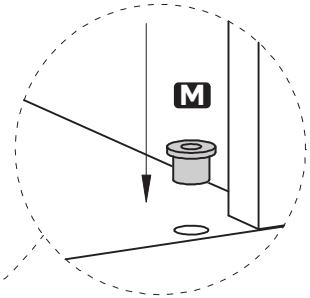
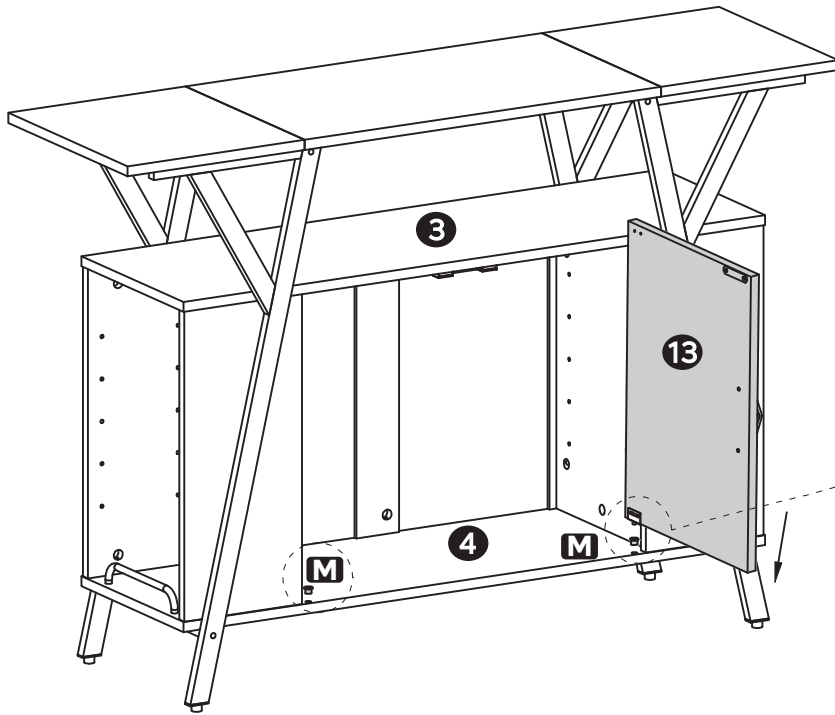
D  M6x25mm 10

STEP 17



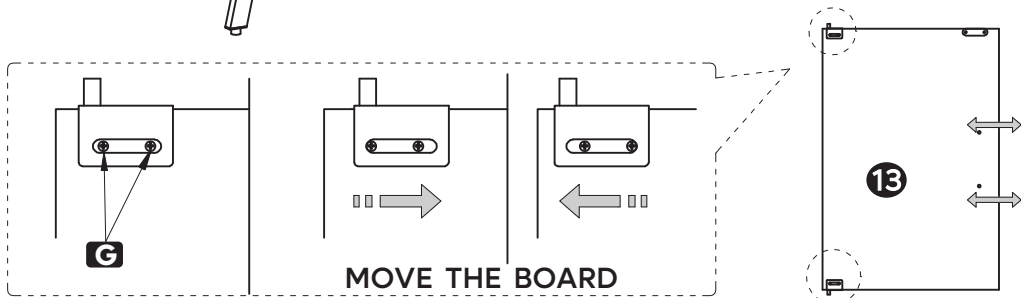
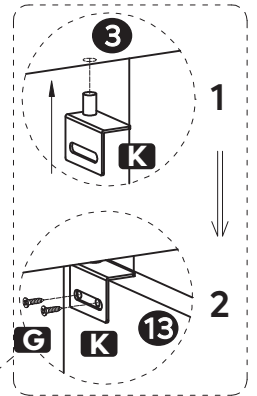
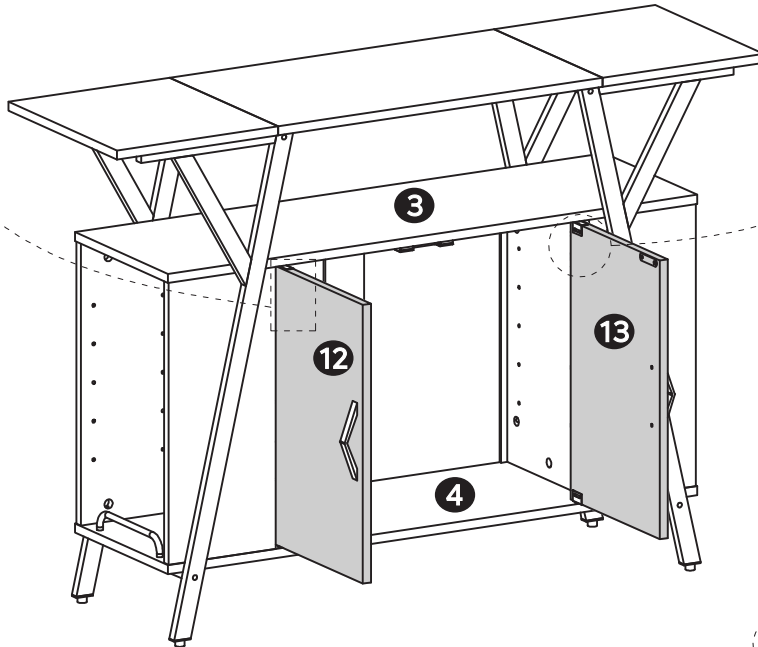
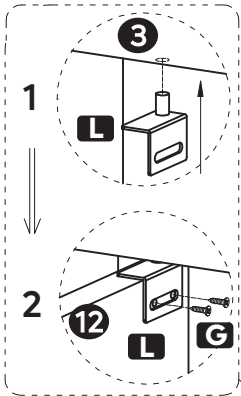
K 	1	E 	M4x18mm 4
L 	1	G 	ST3x14mm 8


STEP 18



M  Ø12-Ø8mm 2

STEP 19

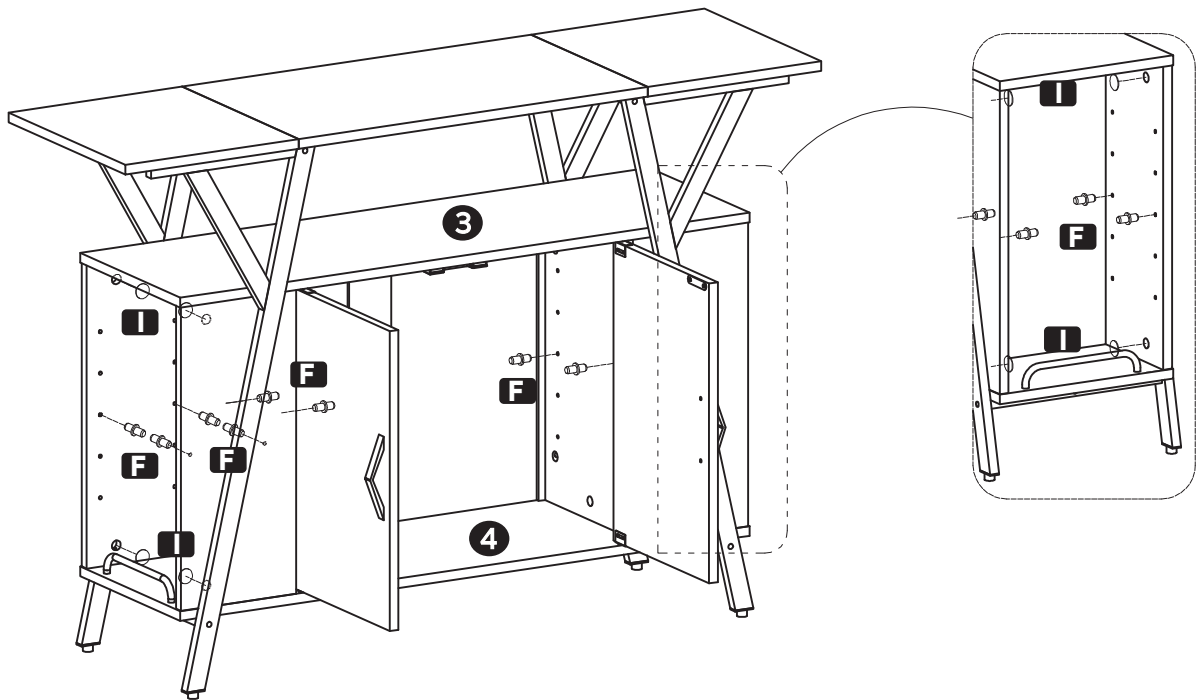


G  ST3x14mm 4

L  1

K  1

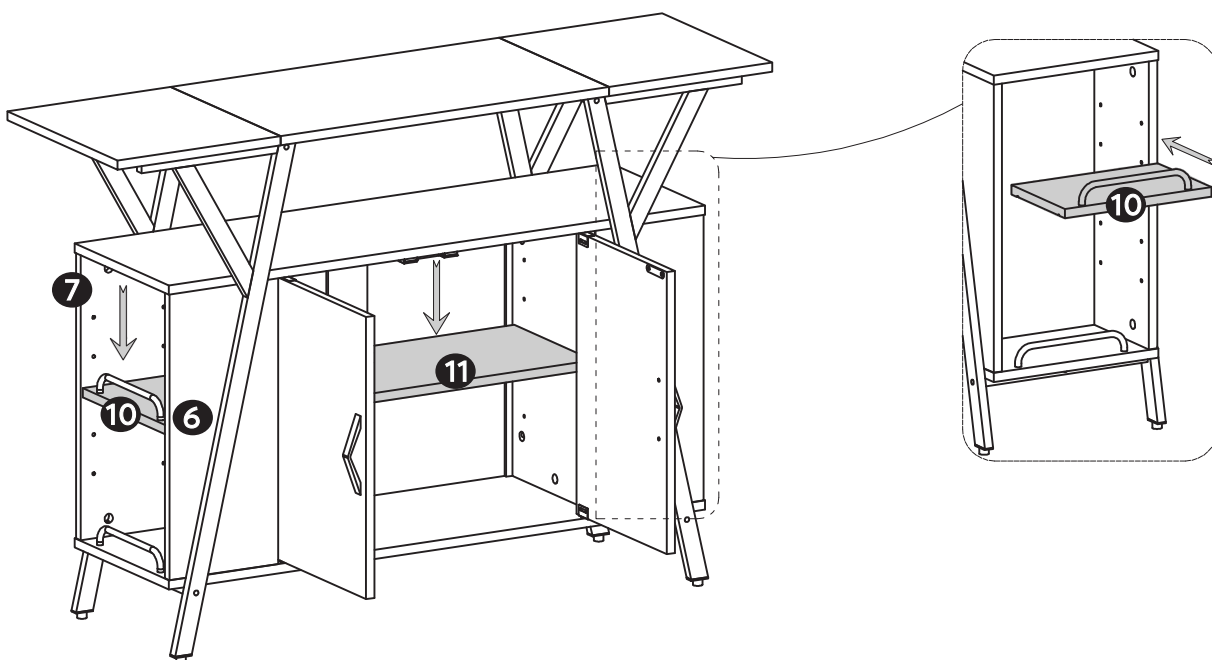
STEP 20



※ This 'I' part is seaming tape which can cover the screw hole.

I  Ø22mm 8 **F**  Ø5x17mm 12

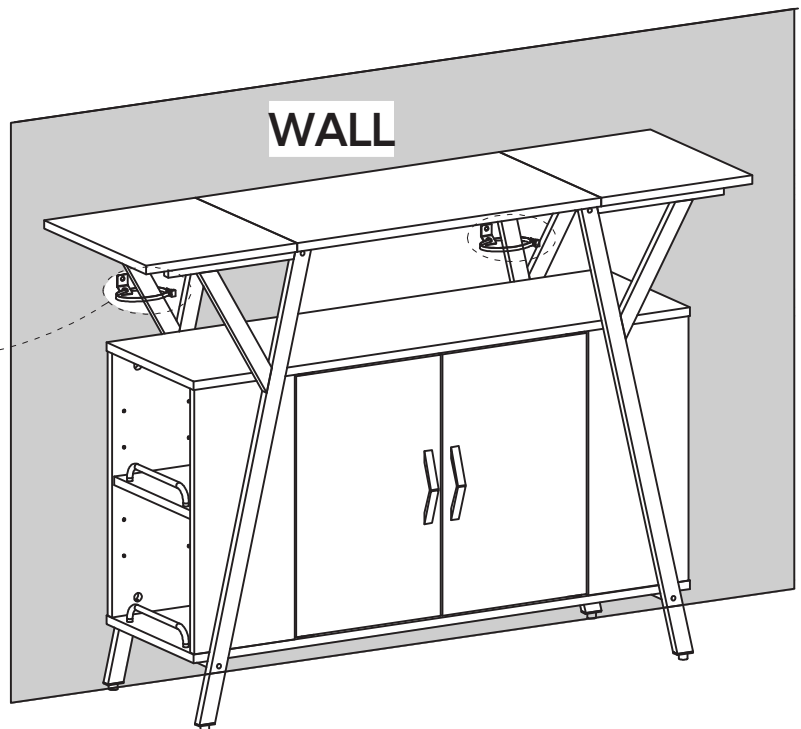
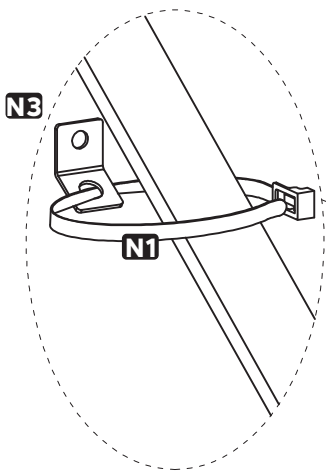
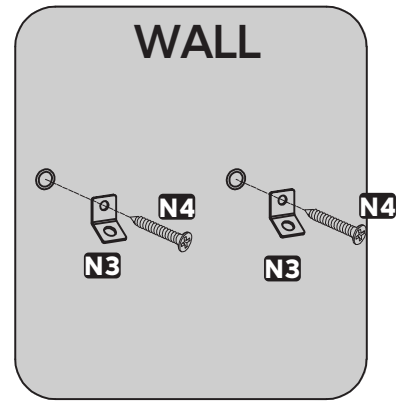
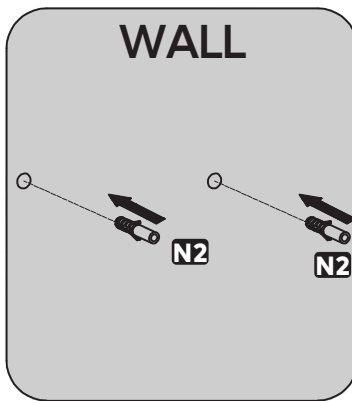
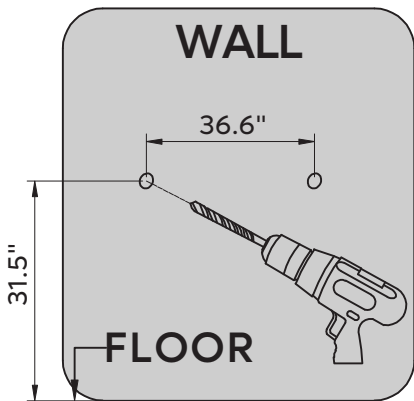
STEP 21



STEP 22



STEP 23



- N** **N1**x2
 - N2**x2
 - N3**x2
 - N4**x2
- ST4x38mm