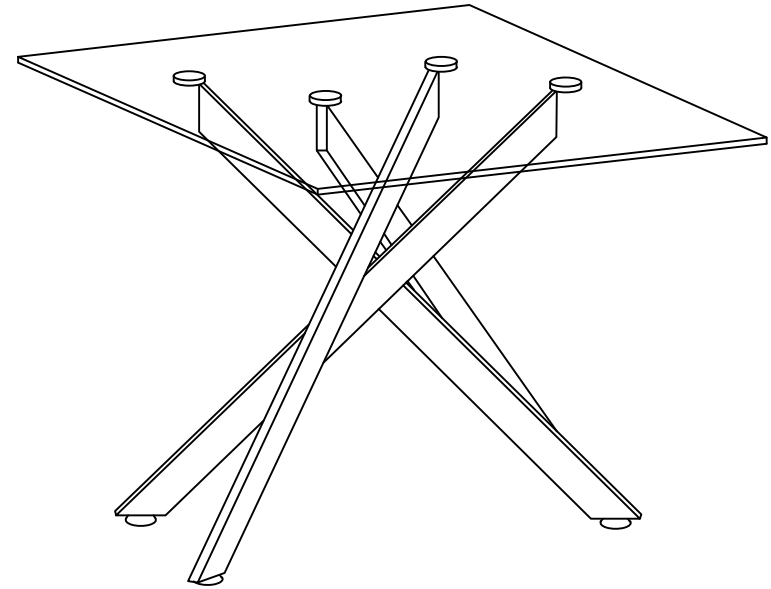


Important

Please inspect all items carefully before assembling.
If for any reason you need to return this
item, you must return it in its original packaging.
Assembled items can not be returned.



Important Note:








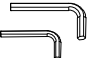

*Place all parts on a clean and smooth surface such as

a rug or carpet to avoid the parts from being scratched.

*Kindly follow the assembly instruction step by step.







*Don't tighten all screws until the table is fully set-up.

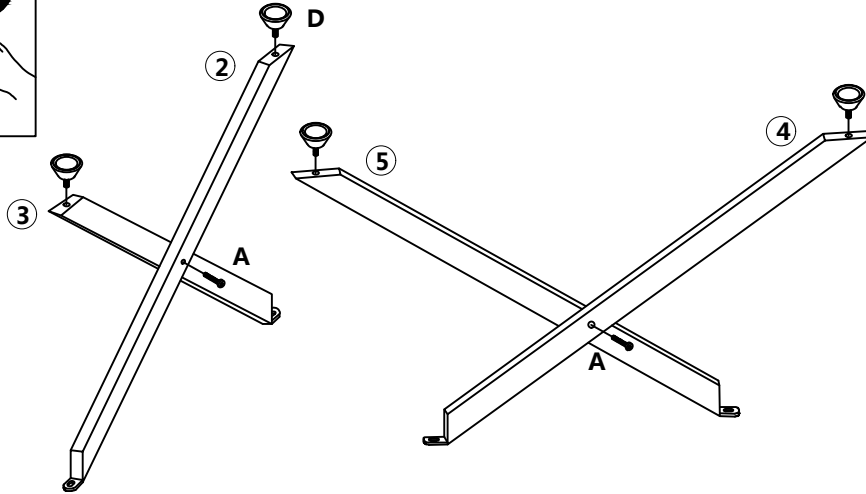
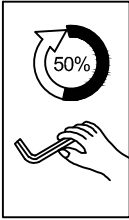
PARTS LIST

① x1 	② x1 	③ x1 	④ x1 
⑤ x1 			
A x2 	B x4 	C x1 	D x4 

1




Note: Don't turn all screw completely.
Turning 50% is enough in this phase.

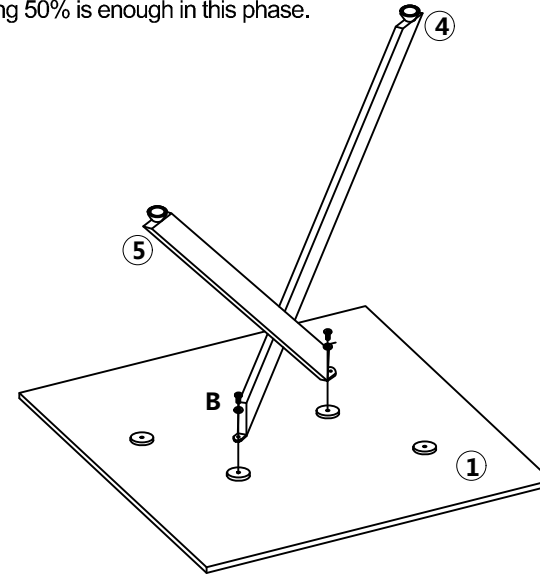
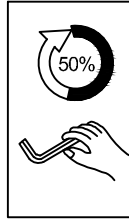
- ②  x1 ③  x1
- ④  x1 ⑤  x1
- D  x4 A  x2



2

Note: Don't turn all screw completely.
Turning 50% is enough in this phase.

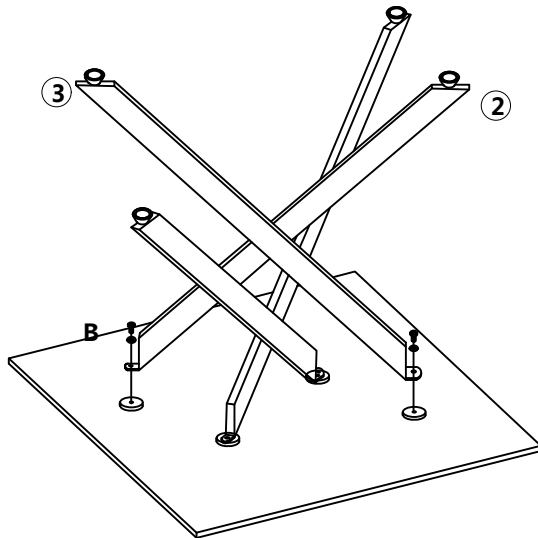
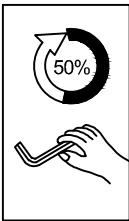
- ①  x1
- B   x2



3

Note: Don't turn all screw completely.
Turning 50% is enough in this phase.

- B   x2



4

Note: Adjust four legs to keep them at the same level.
Then turn all screws correctly

