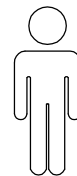
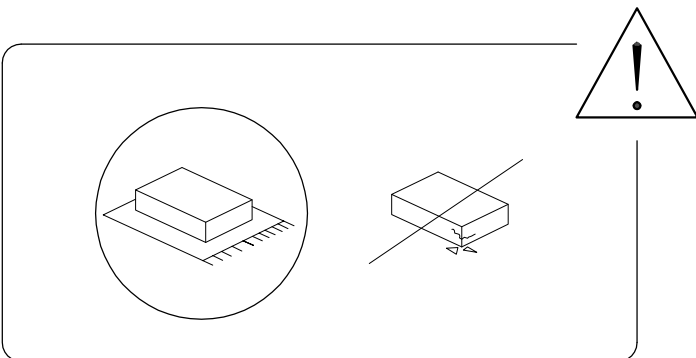
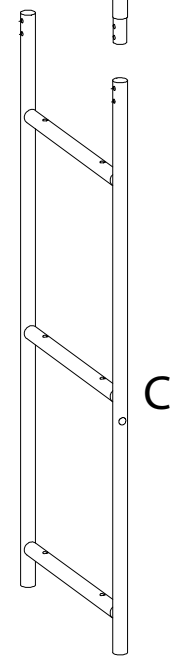
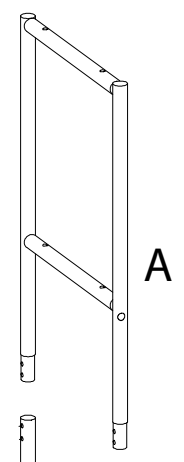
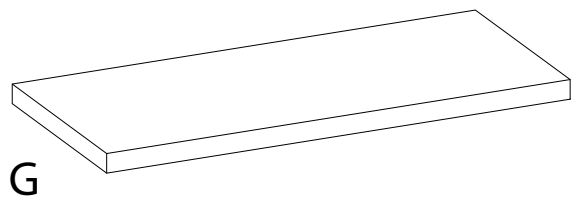
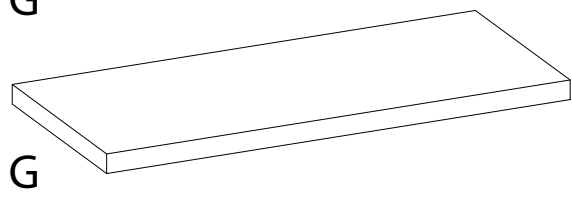
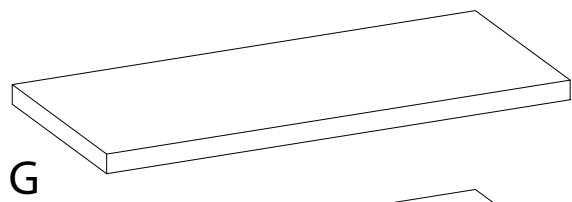
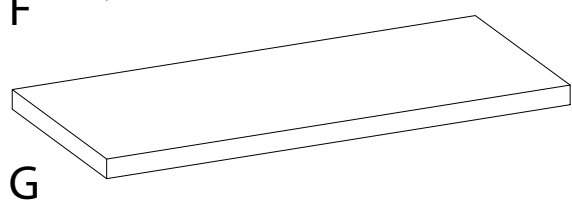
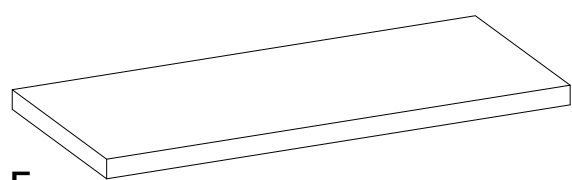
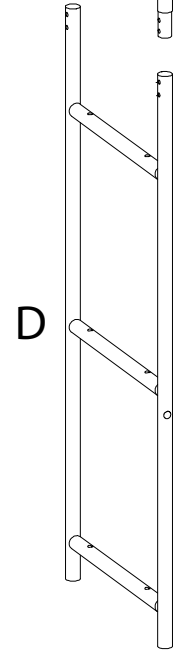
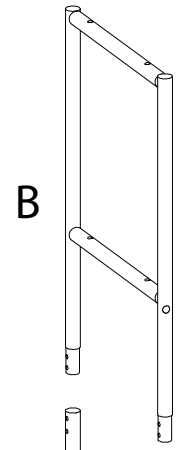
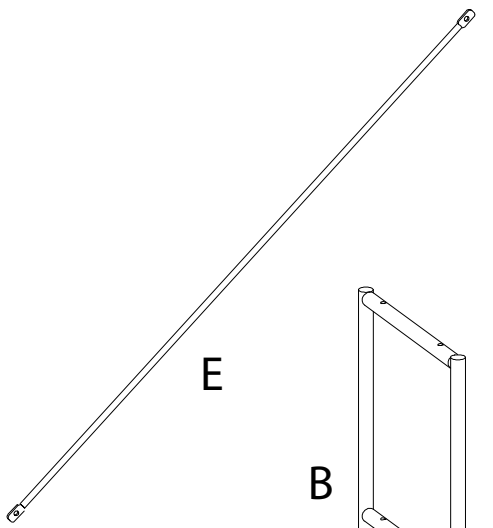
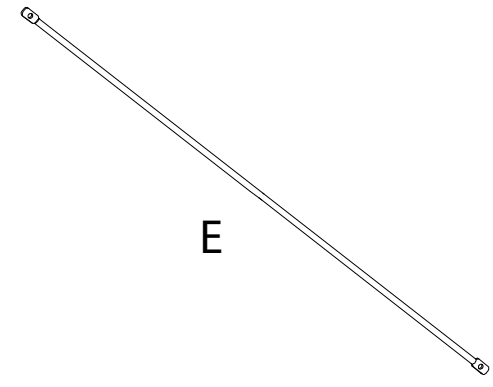


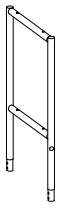
25'



1

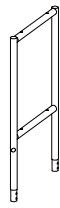


A



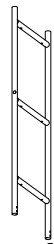
x 1

B



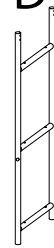
x 1

C



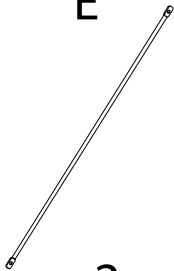
x 1

D



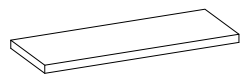
x 1

E



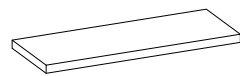
x 2

F



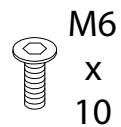
x 1

G



x 4

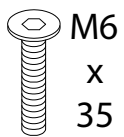
H



M6
x
10

x 12

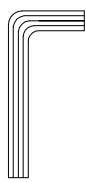
I



M6
x
35

x 20

J



x 1

K



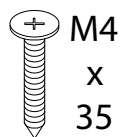
x 1

L



x 1

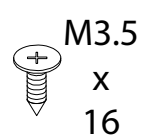
M



M4
x
35

x 1

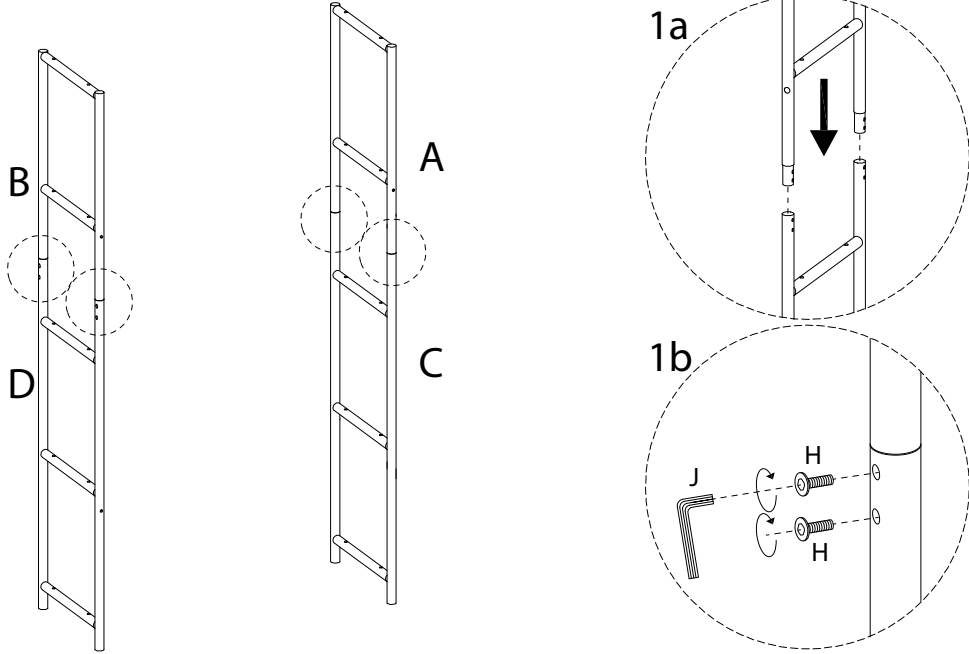
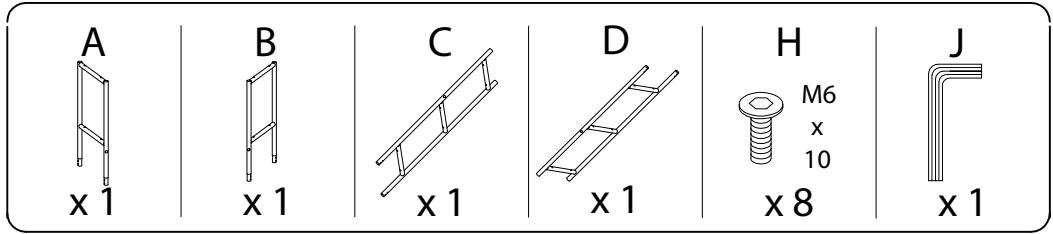
N



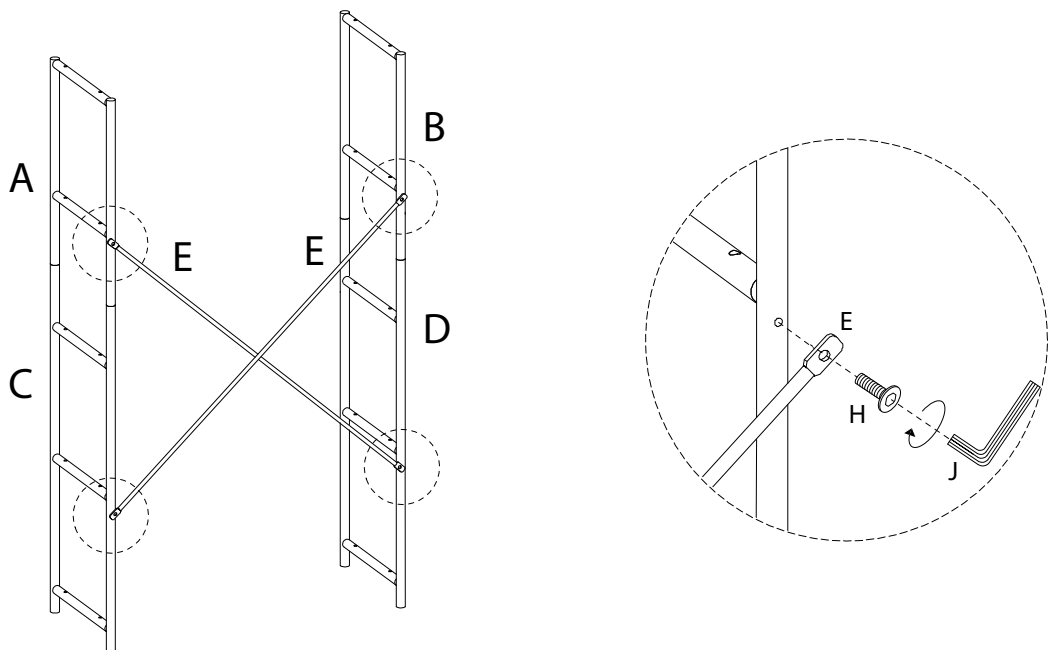
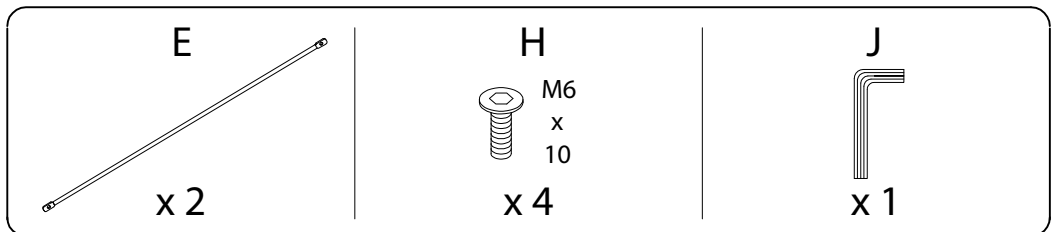
M3.5
x
16

x 1

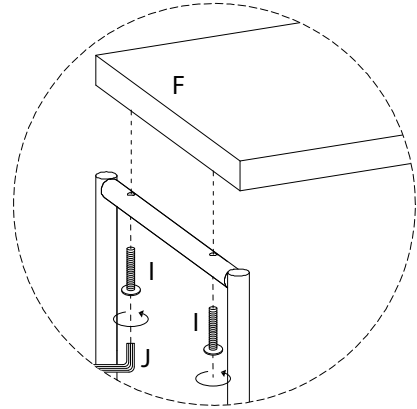
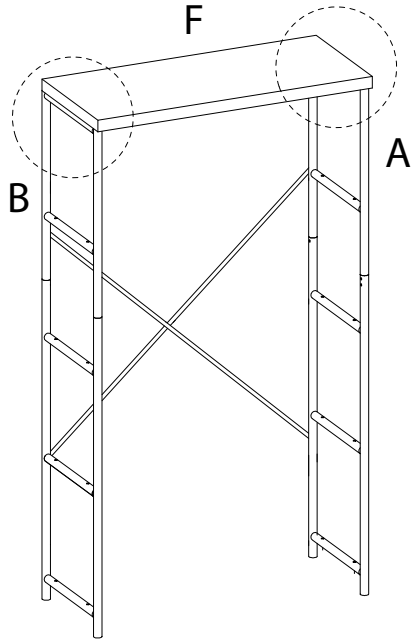
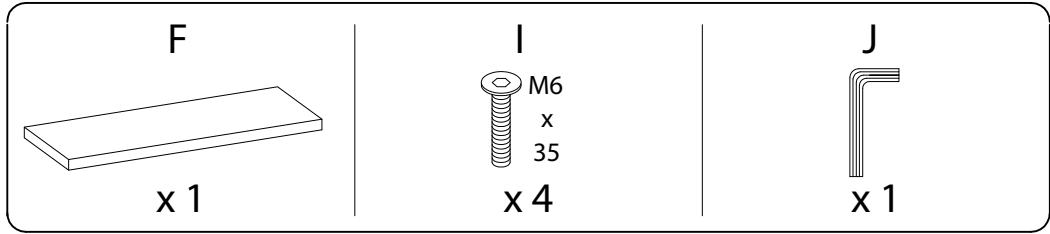
1



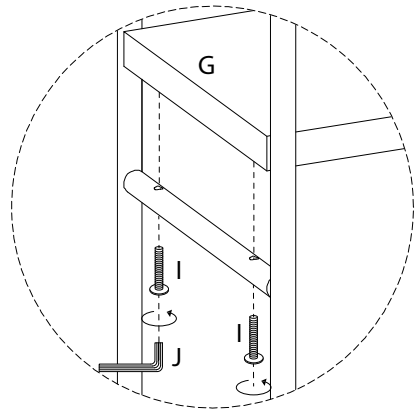
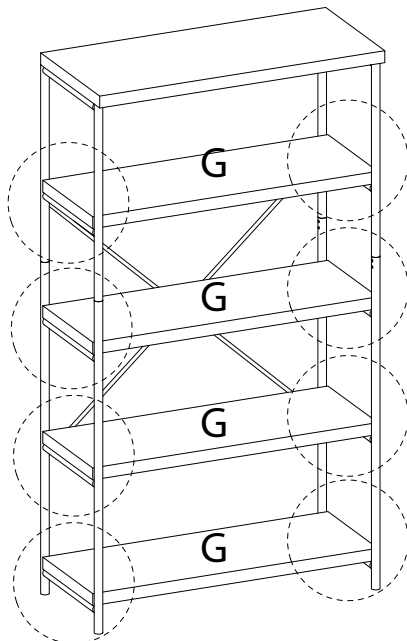
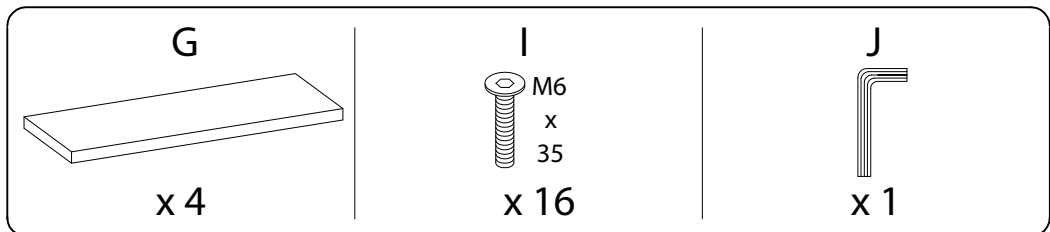
2



3



4



5

K



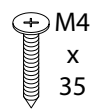
x 1

L



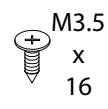
x 1

M



x 1

N



x 1

