

## **USER'S MANUAL**

### **Sofa Bed /**

THIS INSTRUCTION BOOKLET CONTAINS **IMPORTANT** SAFETY INFORMATION. PLEASE READ AND KEEP FOR FUTURE REFERENCE.

**Please give us a chance to make it right and do better!**

Contact our friendly customer service department for help first.

Replacements for missing or damaged parts will be shipped ASAP!









---

# Before You Start

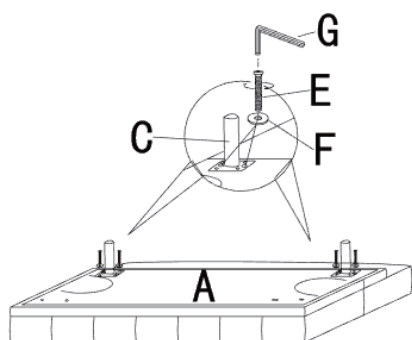
- ⚠ Please read all instructions carefully.
- ⚠ Retain instructions for future reference.
- ⚠ Separate and count all parts and hardware.
- ⚠ Read through each step carefully and follow the proper order.
- ⚠ We recommend that, where possible, all items are assembled near to the area in which they will be placed in use, to avoid moving the product unnecessarily once assembled.
- ⚠ Always place the product on a flat, steady and stable surface.
- ⚠ Keep all small parts and packaging materials for this product away from babies and children as they potentially pose a serious choking hazard.

---

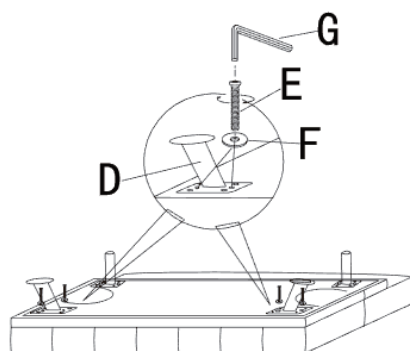
## Parts List

NO.	SKETCH	QTY
A		1PC
B		2PCS
C		2PCS
D		2PCS
E		8PCS
F		8PCS
G		1PC
H		16PCS

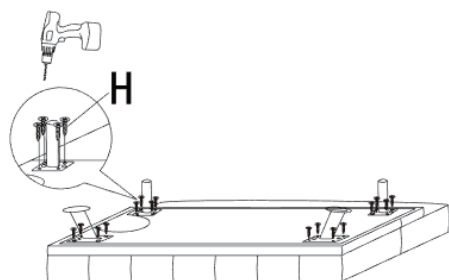
### STEP 1



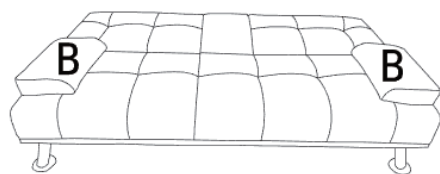
### STEP 2



### STEP 3

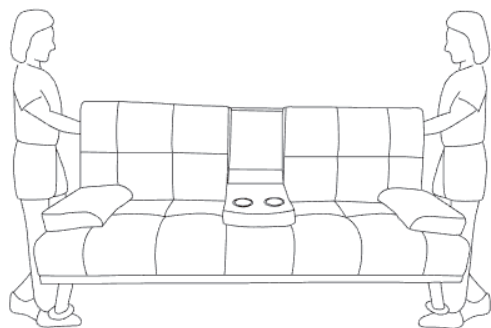


### STEP 4



---

## STEP5



## STEP6

