

Brightwork Home Collection

Hand Hammered Stainless Steel Rectangular Undermount Bathroom Sink

model:

TRB-OF



Nantucket

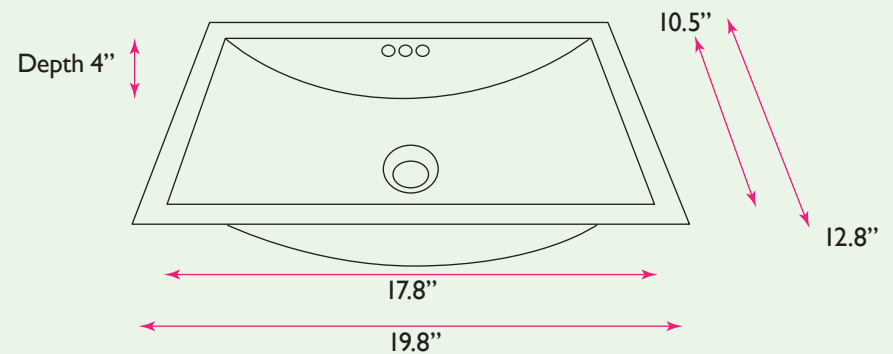
S I N K S

www.NantucketSinksUSA.com
info@nantucketsinksusa.com



SPECS

Top / Front View



OVERALL DIMENSIONS	INTERIOR BOWL	BOWL DEPTH	DRAIN OPENING	OVERFLOW
19.8" x 112.8"	17.8" x 10.5"	6"(ext.); 4"(int.)	1.5" Opening	Yes

FEATURES:

- Premium Brass bathroom sink
- With Overflow
- Limited manufacturer's warranty
- Solid brass construction
- Hand hammered, individual variations will exist
- Unlacquered brass - Patina is possible right away if not waxed immediately
- Nominal Dimensions - actual may vary by 1/4"
- Special care & maintenance required
- Professional installation recommended

Project Name: _____

Architect / Contractor: _____

Job Notes: _____
