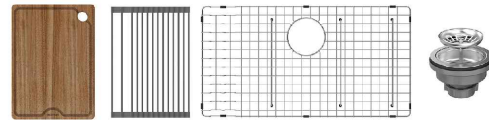


|                      |  |
|----------------------|--|
| Series               | Fusion Workstation                                   |
| Material             | 18 Gauge, Type 304 stainless steel                   |
| Installation Type    | Undermount   |
| Configuration        | Single bowl  |
| Finish               | Soft satin brushed finish                            |
| Overall Dimensions   | 30 1/2" x 18 1/4" x 9"                               |
| Bowl Dimensions      | 29" x 16" x 8 3/4"                                   |
| Drain Size           | 3 1/2"   |
| Finish Available     | Stainless Steel                                      |
| Minimum cabinet size | 33"  |
| Template Included    | Yes  |
| Clips Included       | Yes  |
| Drain Location       | Rear   |
| Accessories Included | Strainer, Bottom grid, Cutting board and Drying rack |

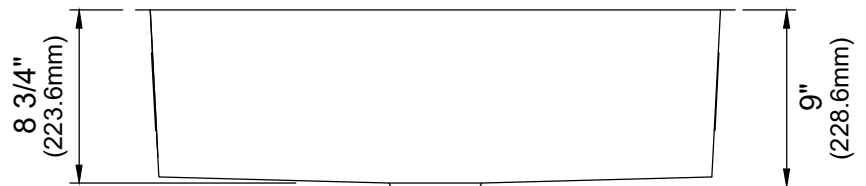
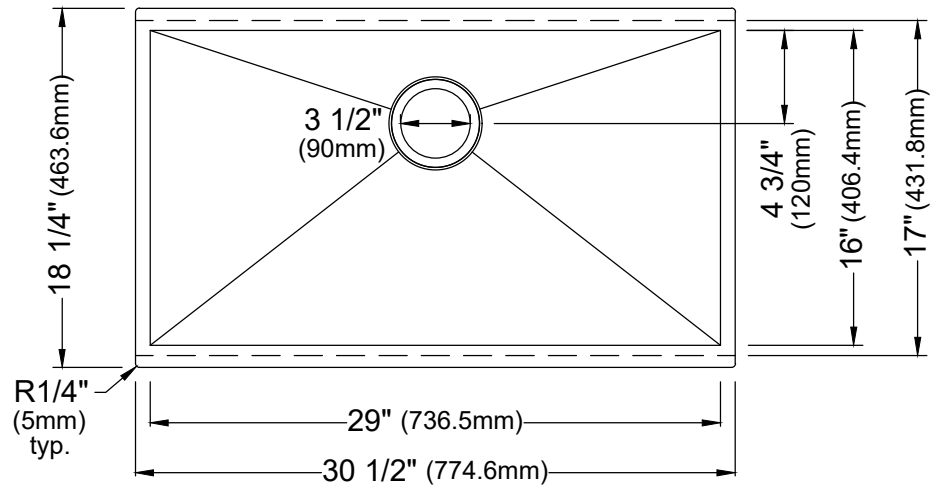


| ACCESSORY                  |
|----------------------------|
| Bottom Grid - GR-4014      |
| Strainer - L-5             |
| Drying Rack - DR1712DGR5S  |
| Cutting Board - CB1712ACR5 |

Stocked Color Options



Stainless Steel



Listing and certifications:  
cUPC

Limited lifetime warranty