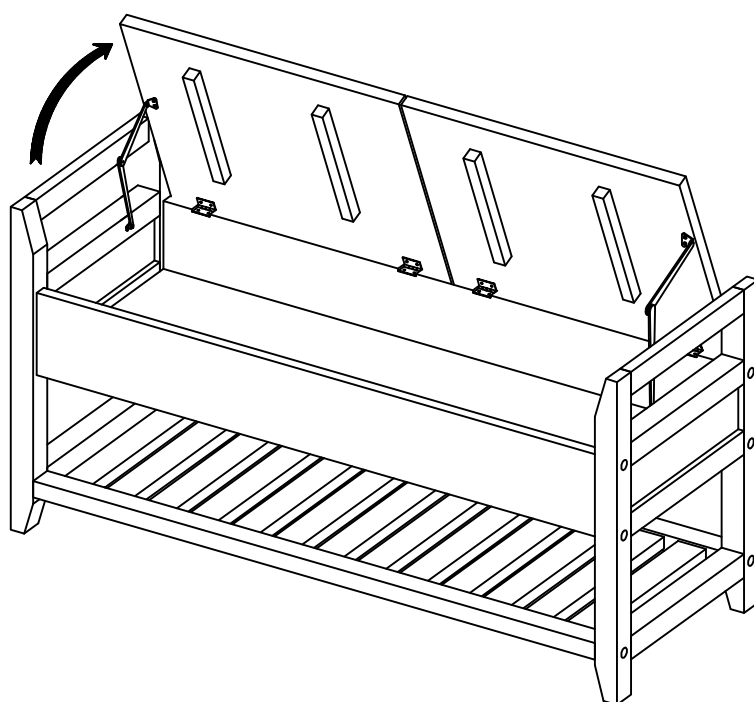
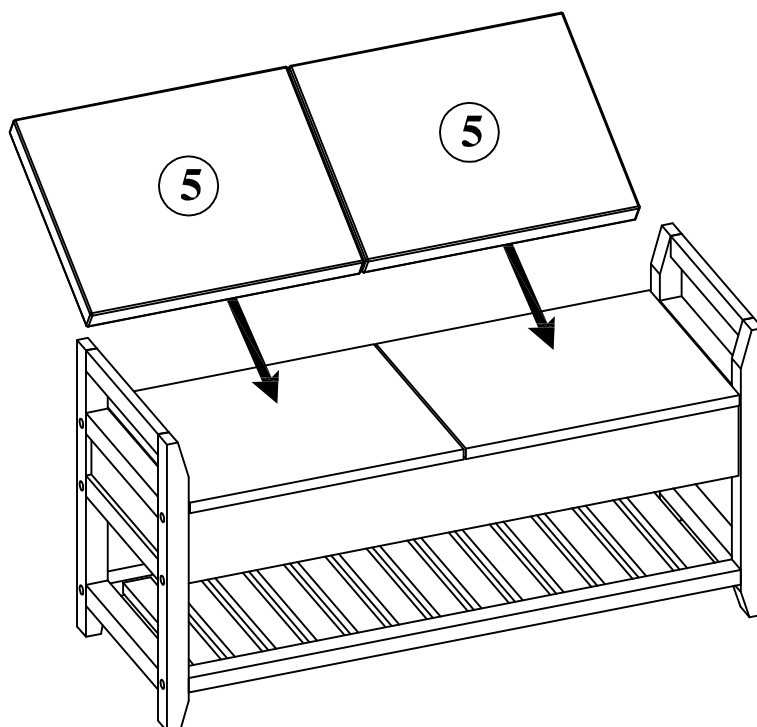


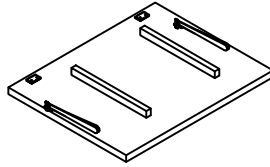
# ASSEMBLY INSTRUCTIONS



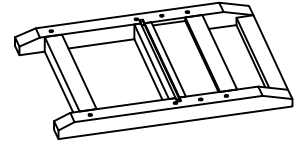
# ASSEMBLY INSTRUCTIONS

## Parts List

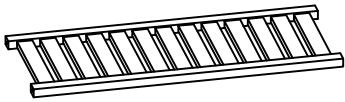
1. SEAT WOOD (L+R)  
2 pieces



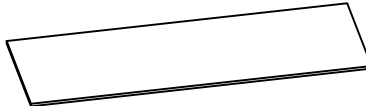
2. LED  
2 pieces



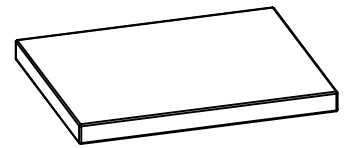
3. SHELF  
1 piece



4. BOTTOM PANEL  
1 piece



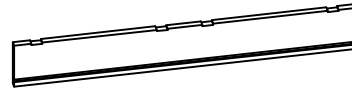
5. SEAT CUSHION  
2 pieces



6. FRONT PANEL  
1 piece



7. BACK PANEL  
1 piece



## Hardware List

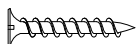
8. BOLT  
12 pieces



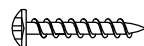
9. ALLEN KEY  
1 piece



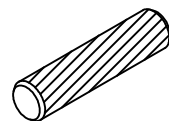
10. SCREW WITH  
8 pieces



11. SCREW ROUND  
4 pieces

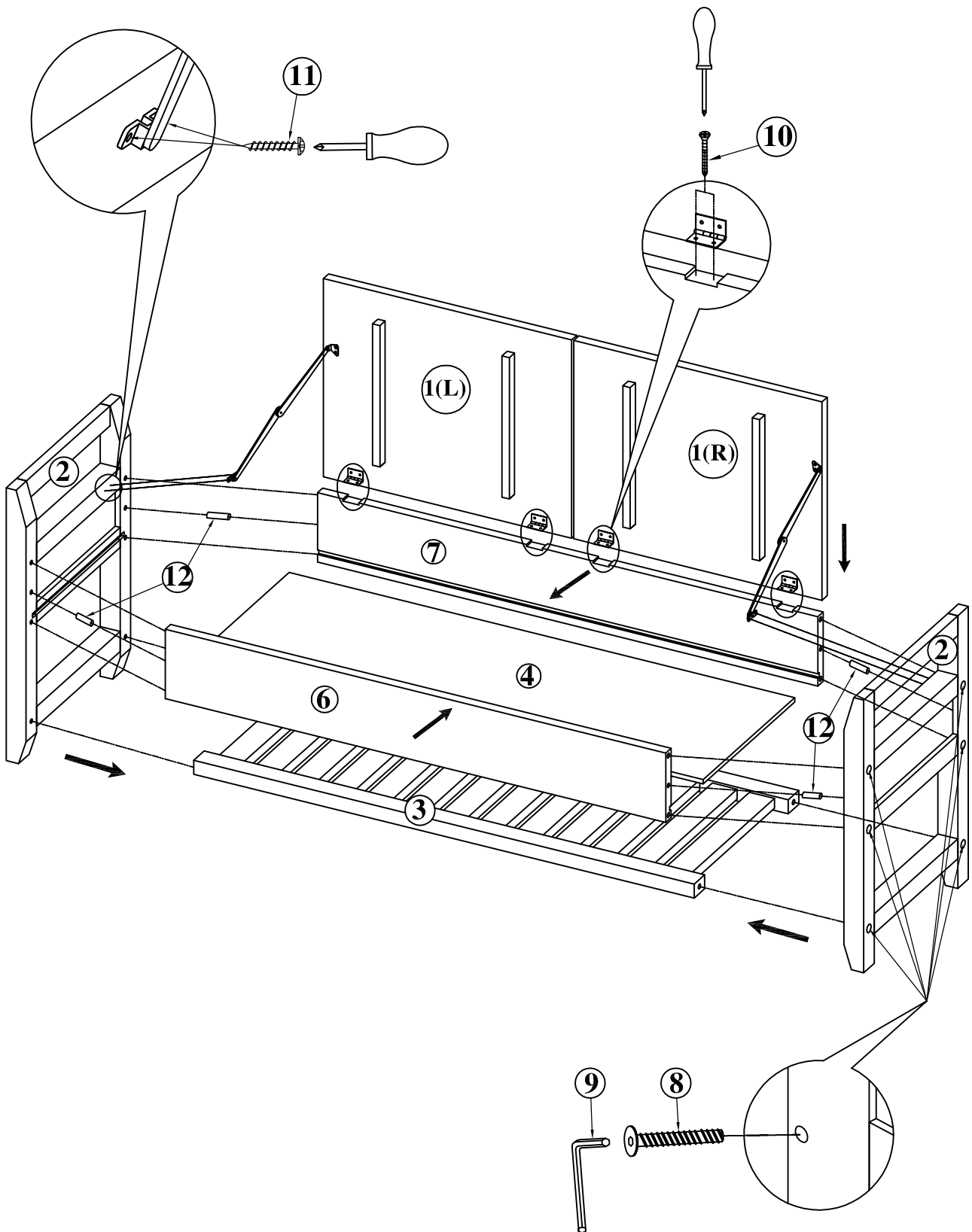


12. WOODEN PEGS  
4 pieces



# ASSEMBLY INSTRUCTIONS

STEP 1



3 / 3