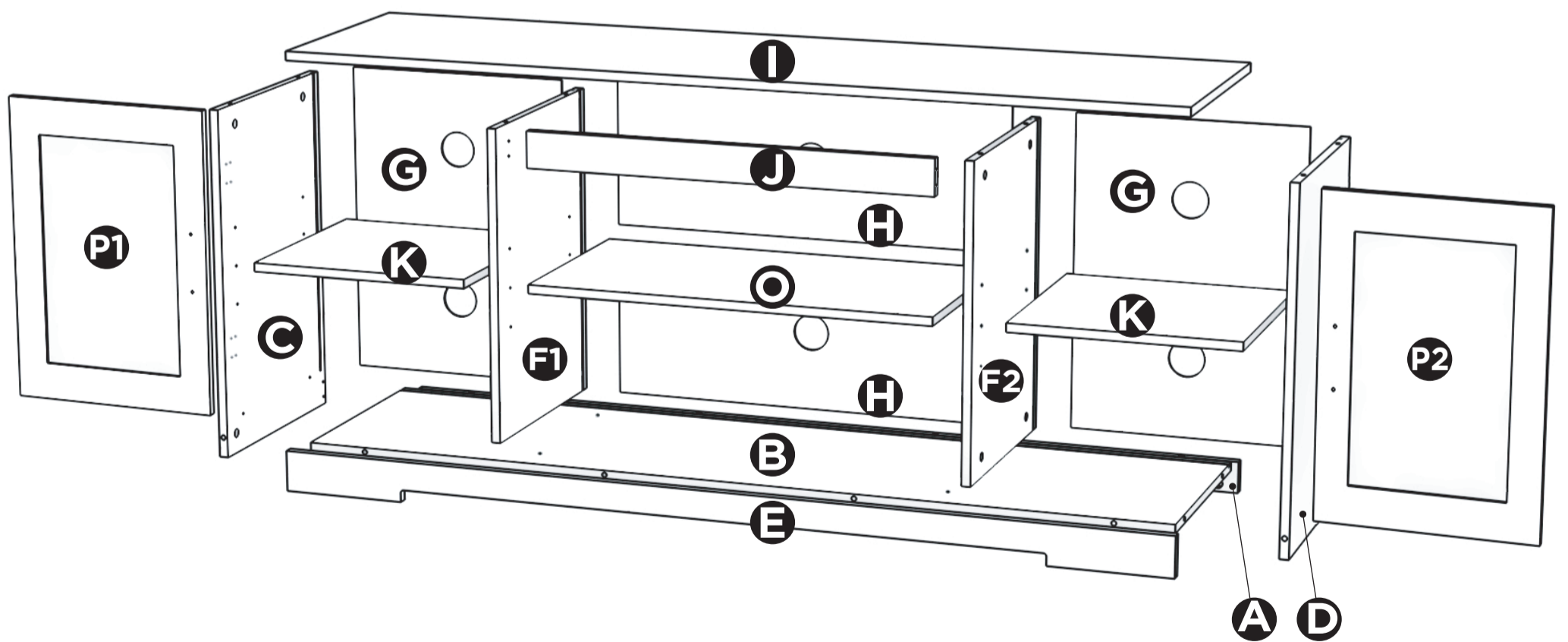
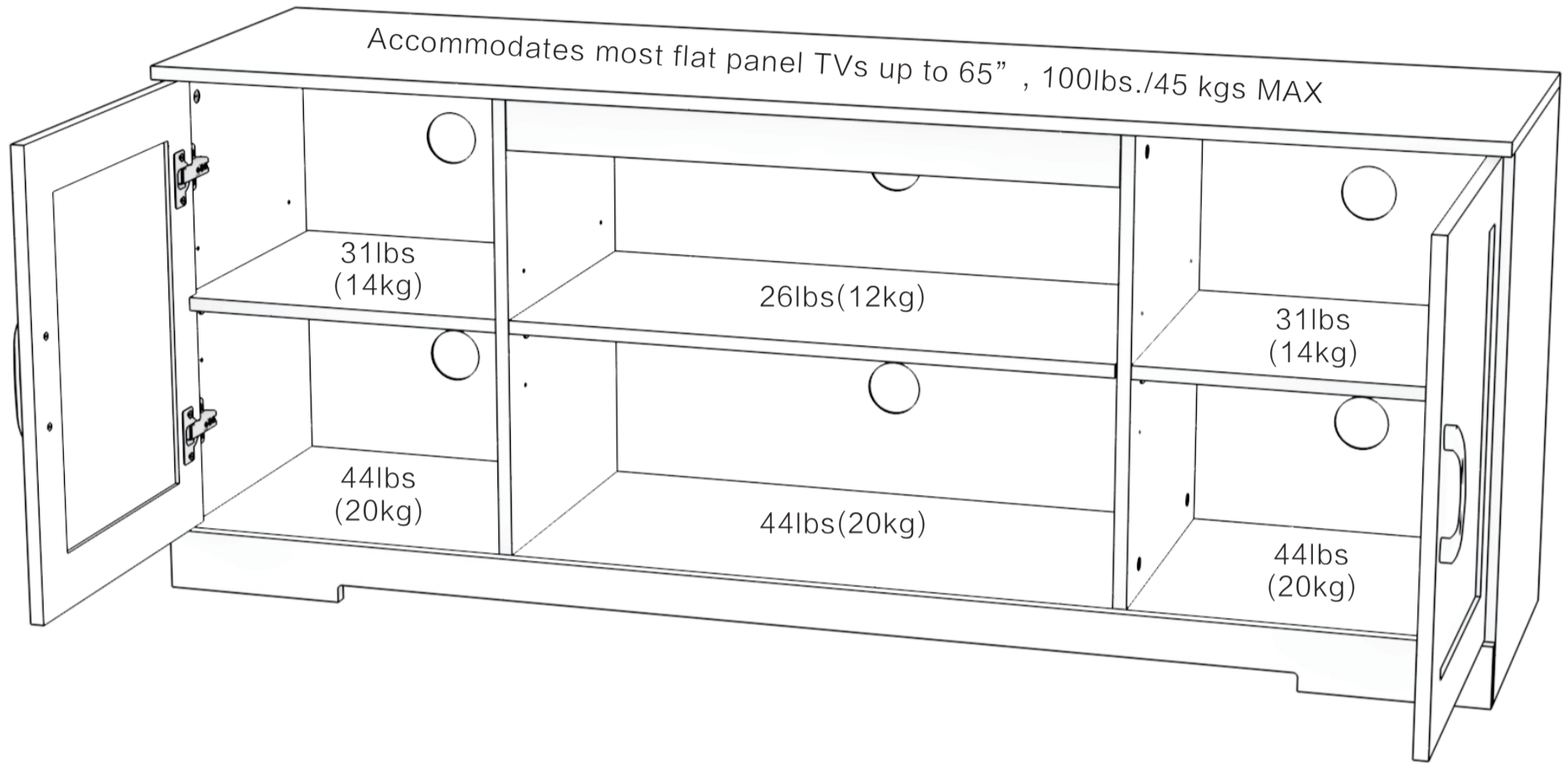
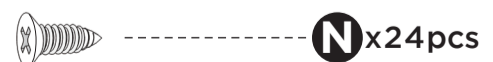
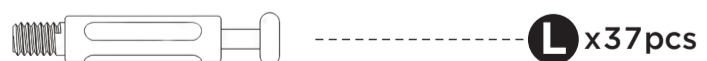
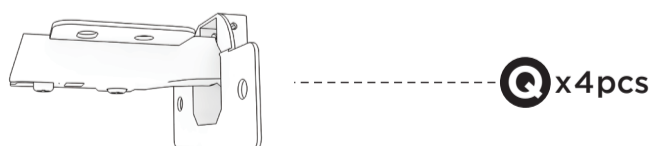
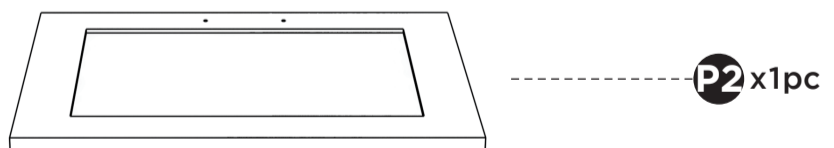
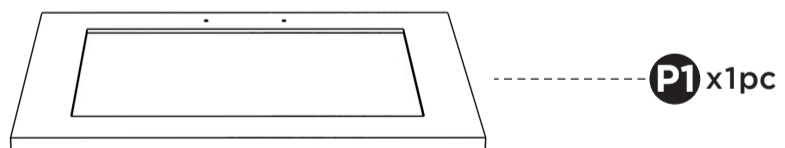
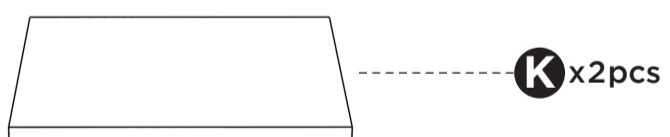
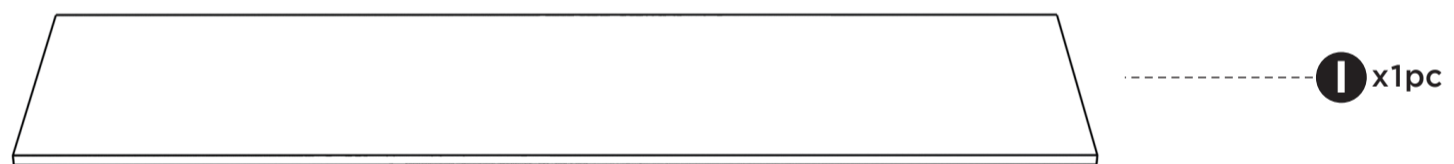
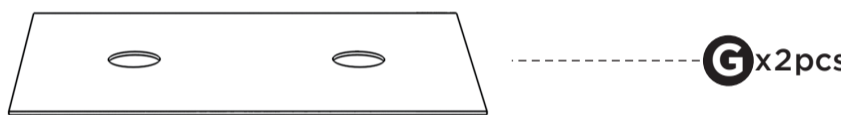
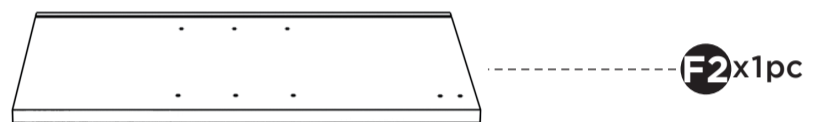
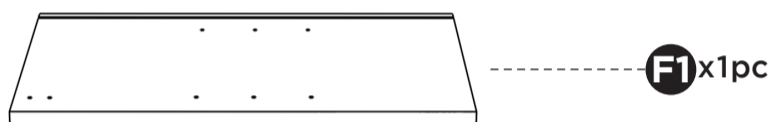
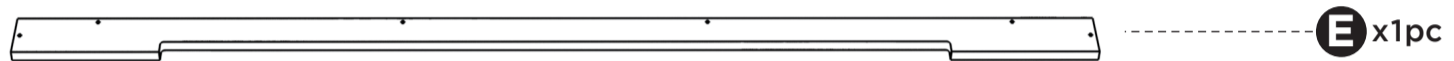
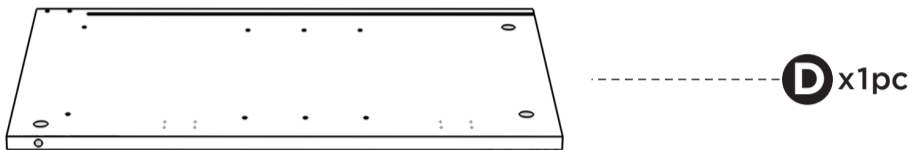
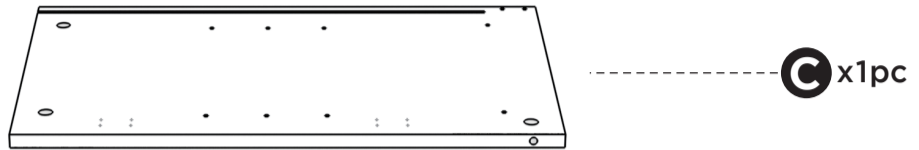
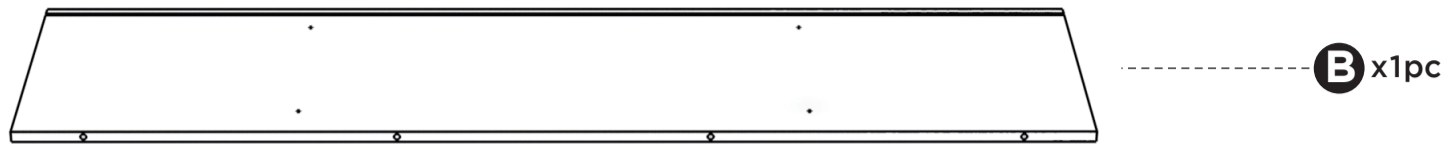
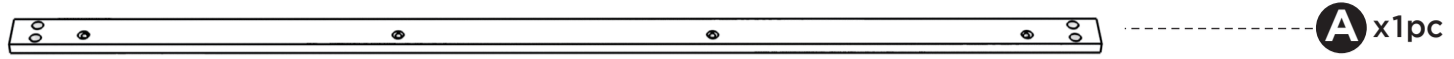


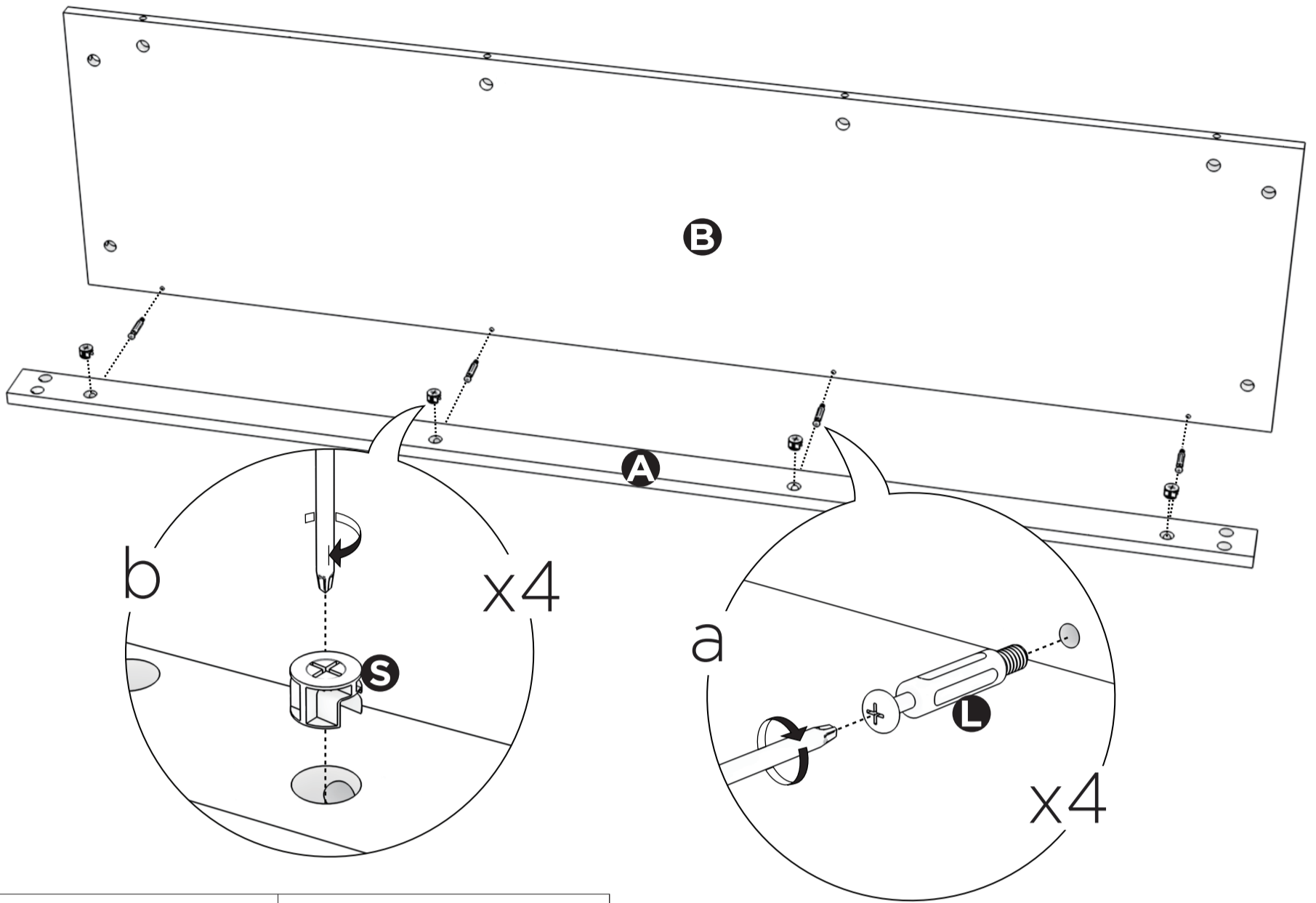
# Assembly Instruction



# Components



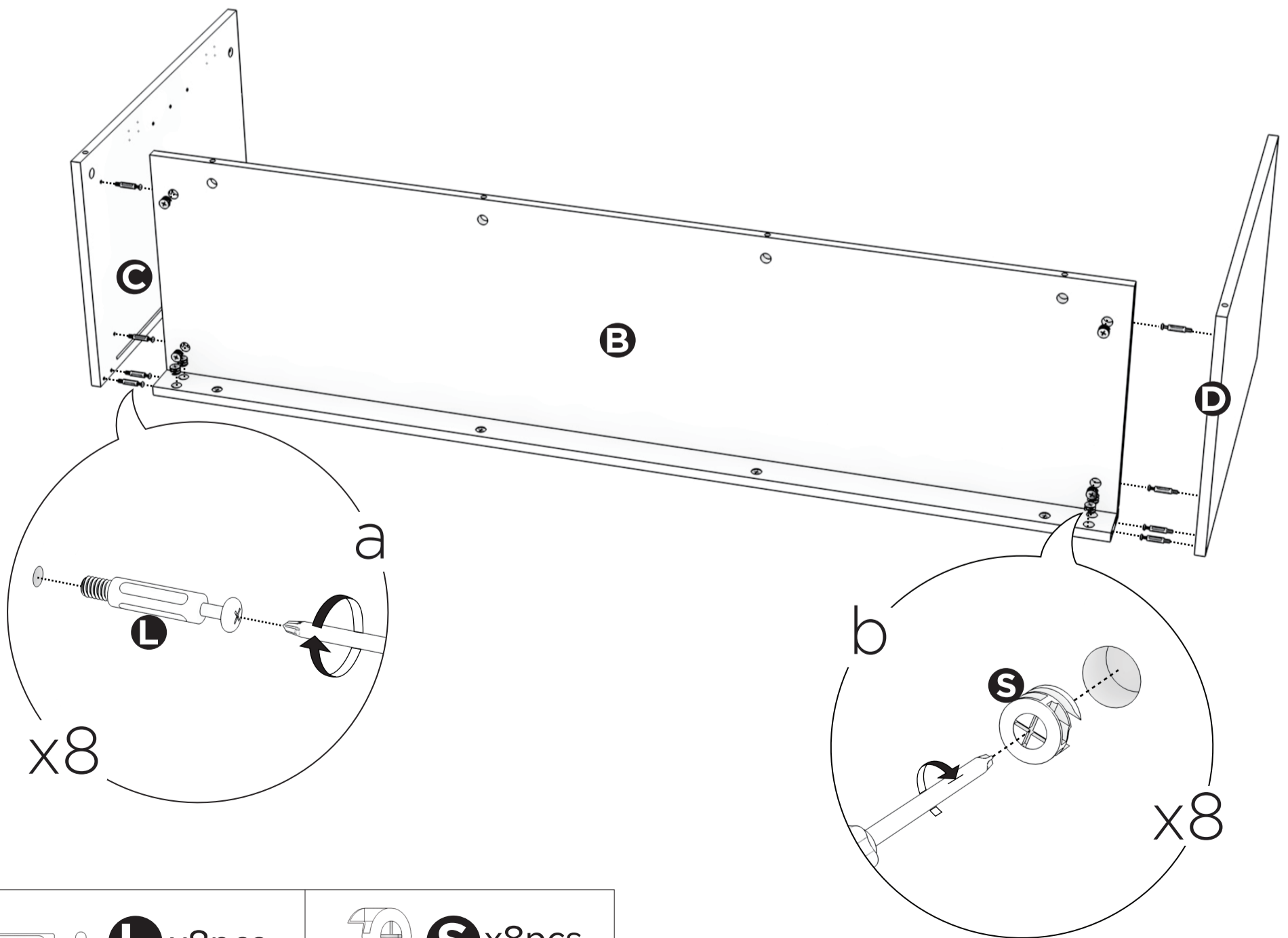
1



 **L** x4pcs

 **S** x4pcs

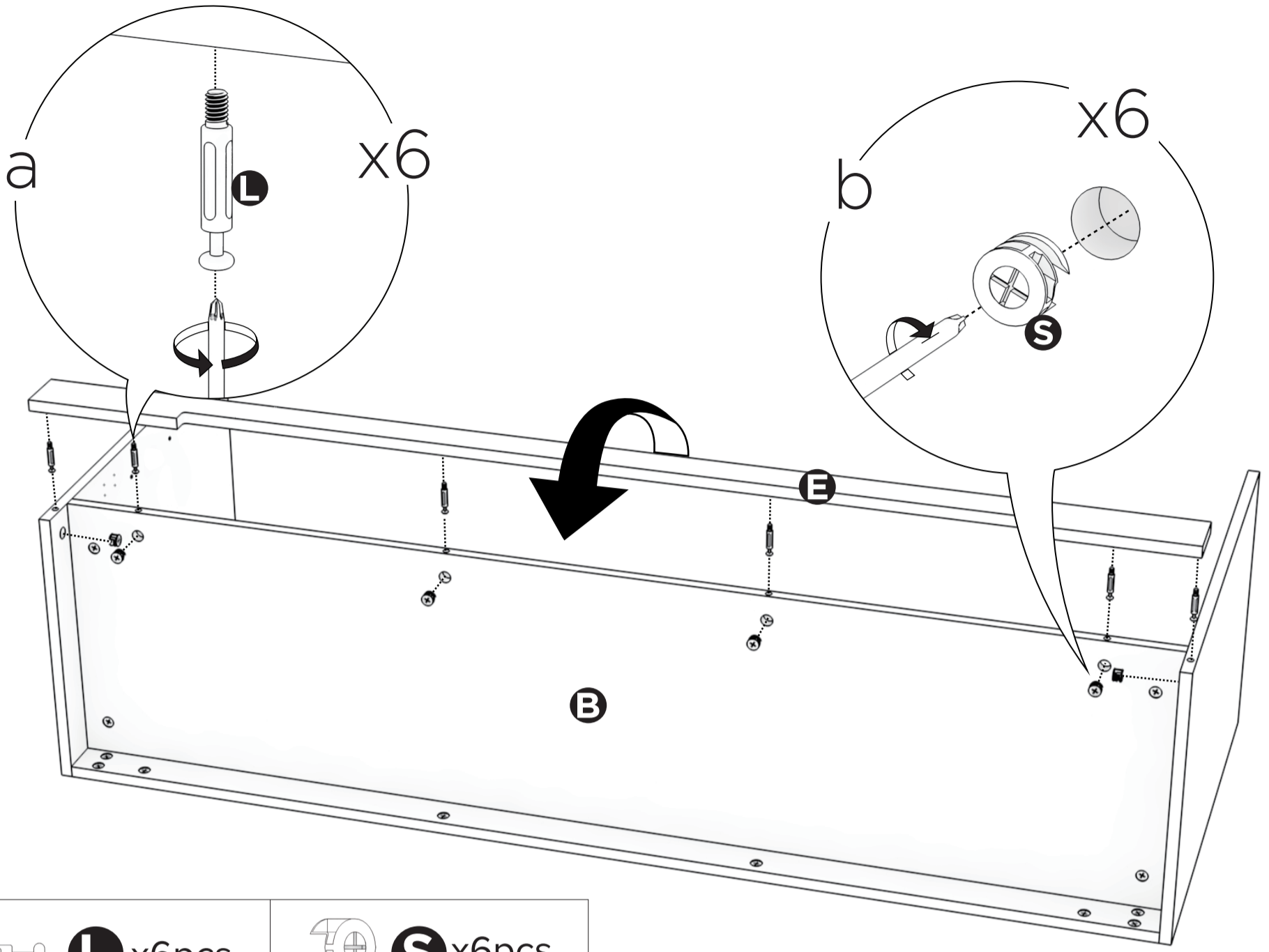
2



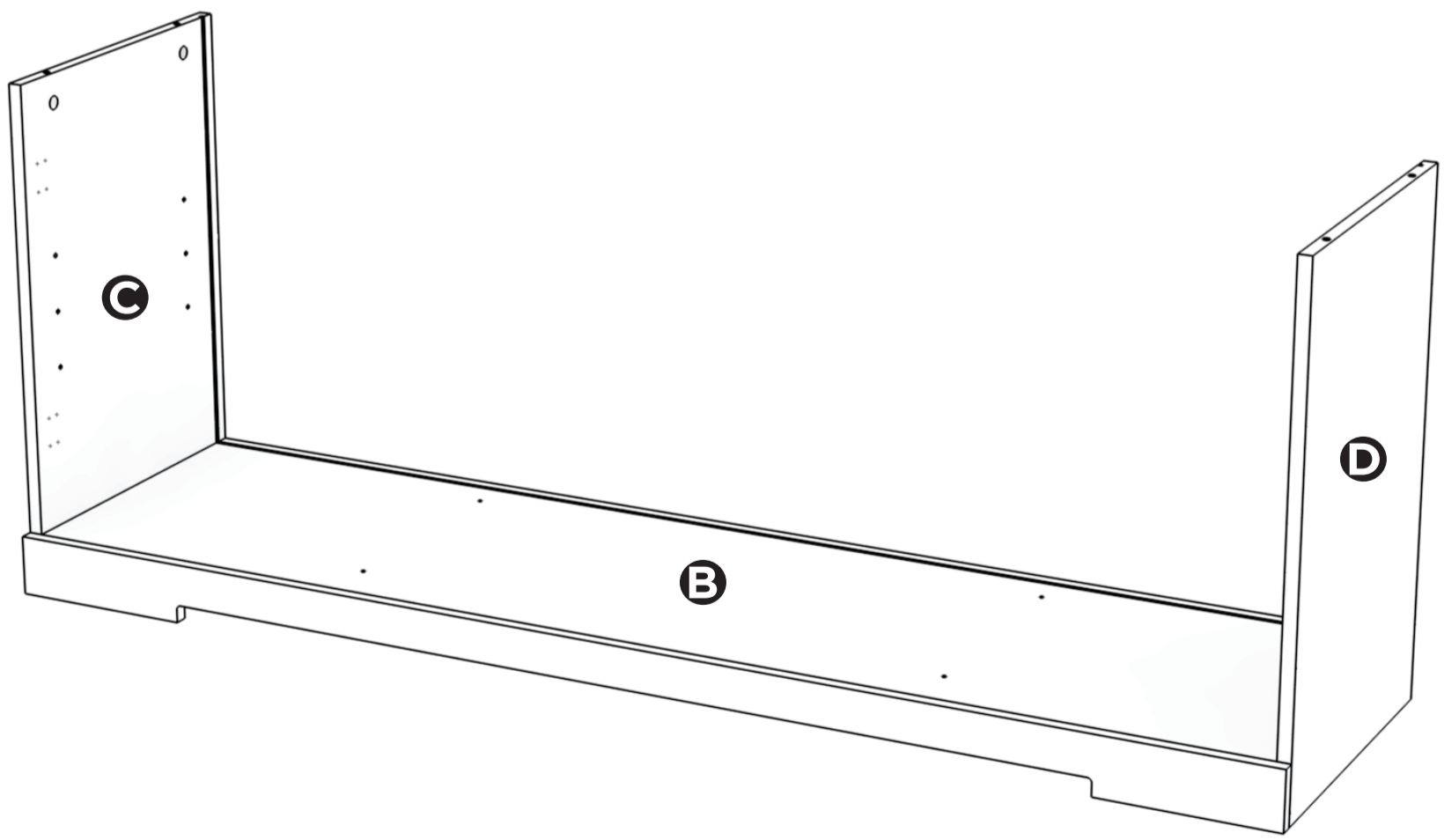
 **L** x8pcs

 **S** x8pcs

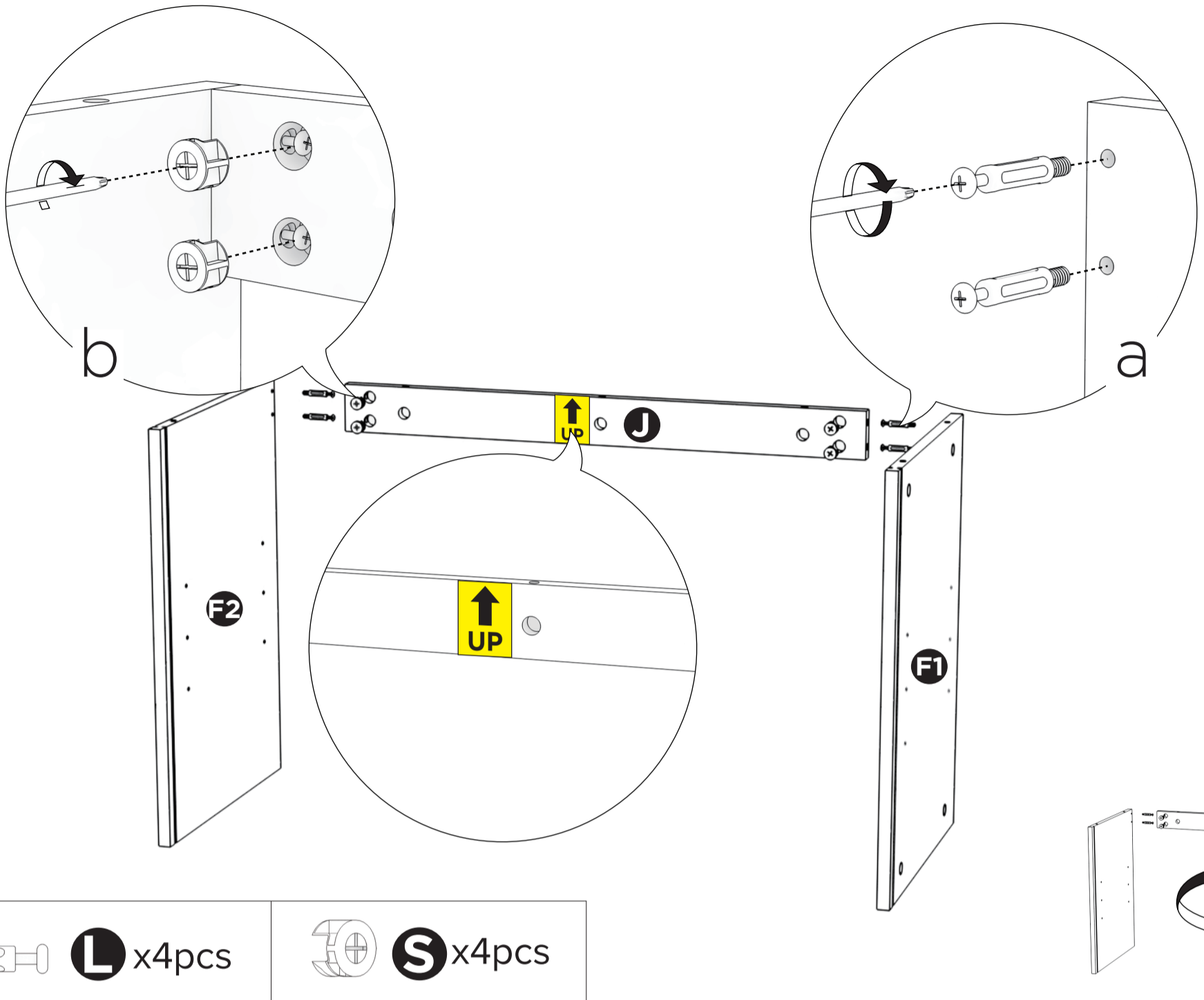
3



4



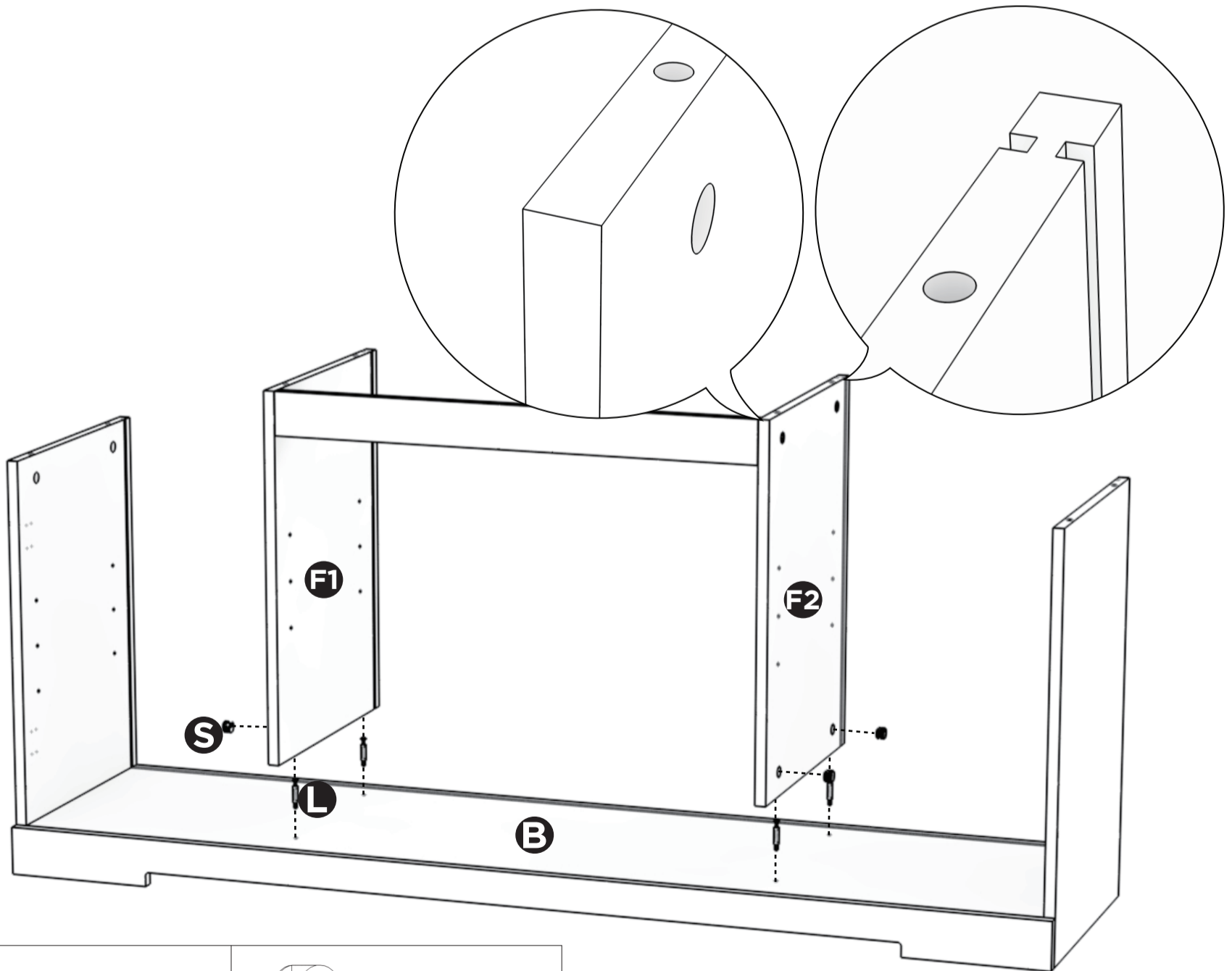
5



 **L** x4pcs

 **S** x4pcs

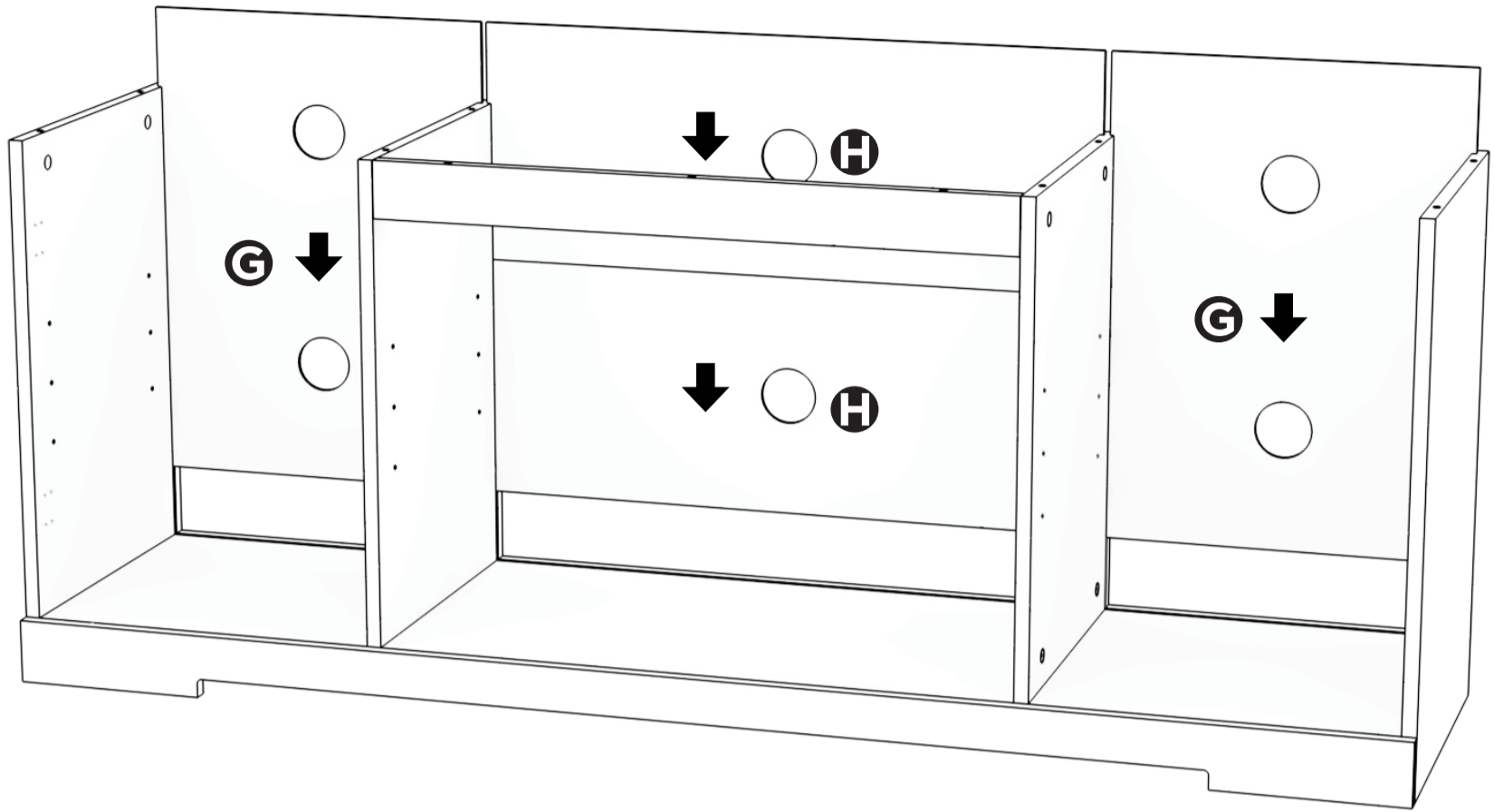
6



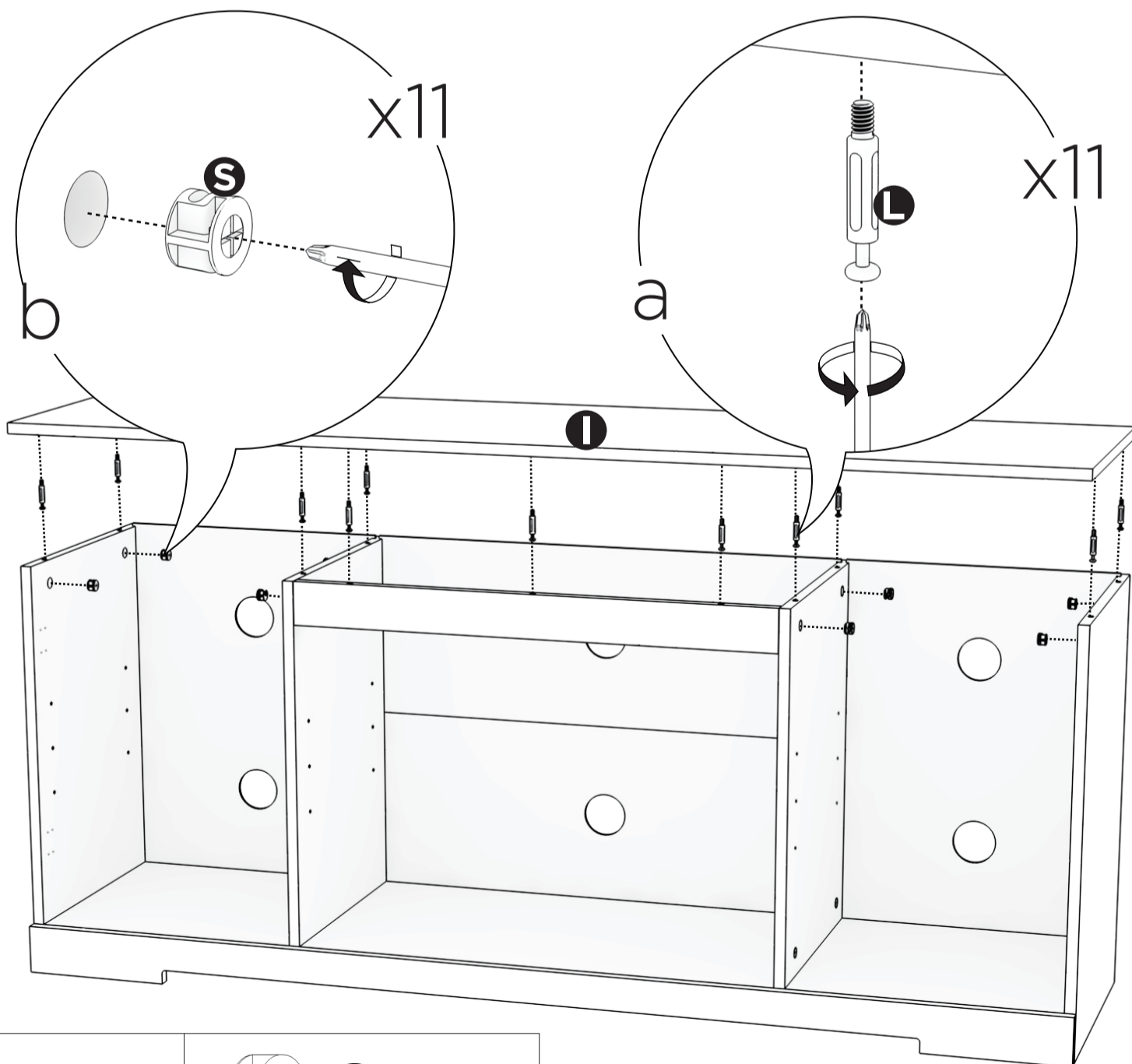
 **L** x4pcs

 **S** x4pcs

7



8

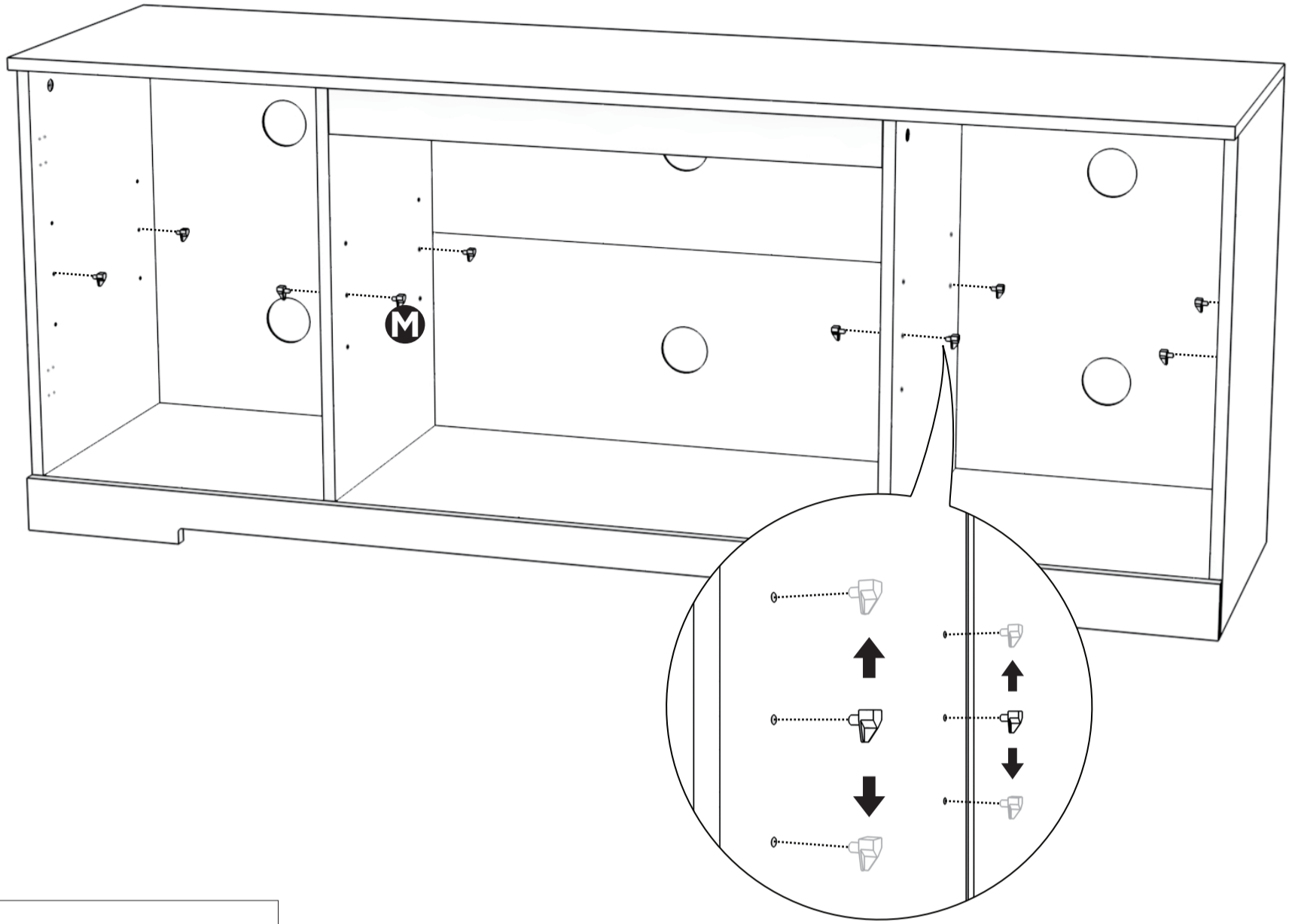


**L** x11pcs



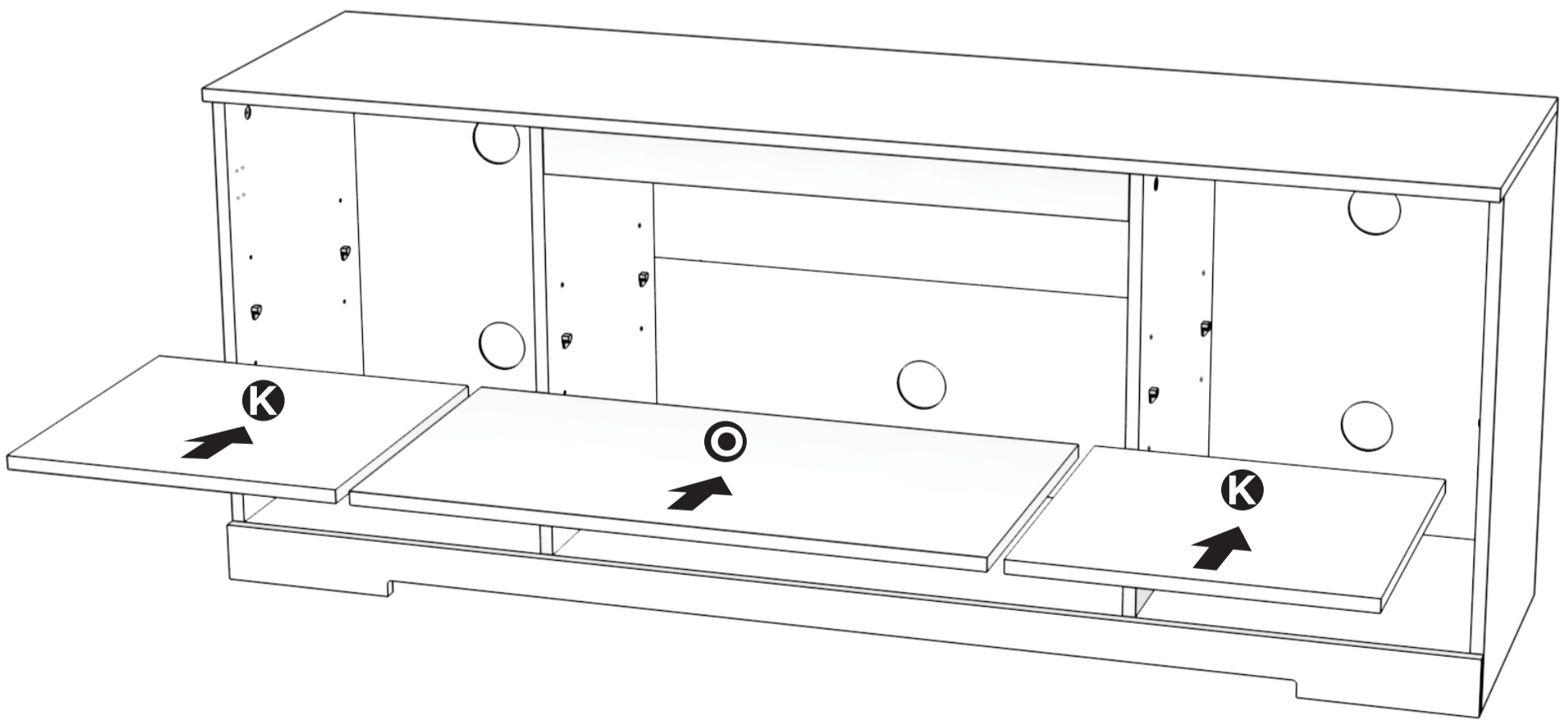
**S** x11pcs

9

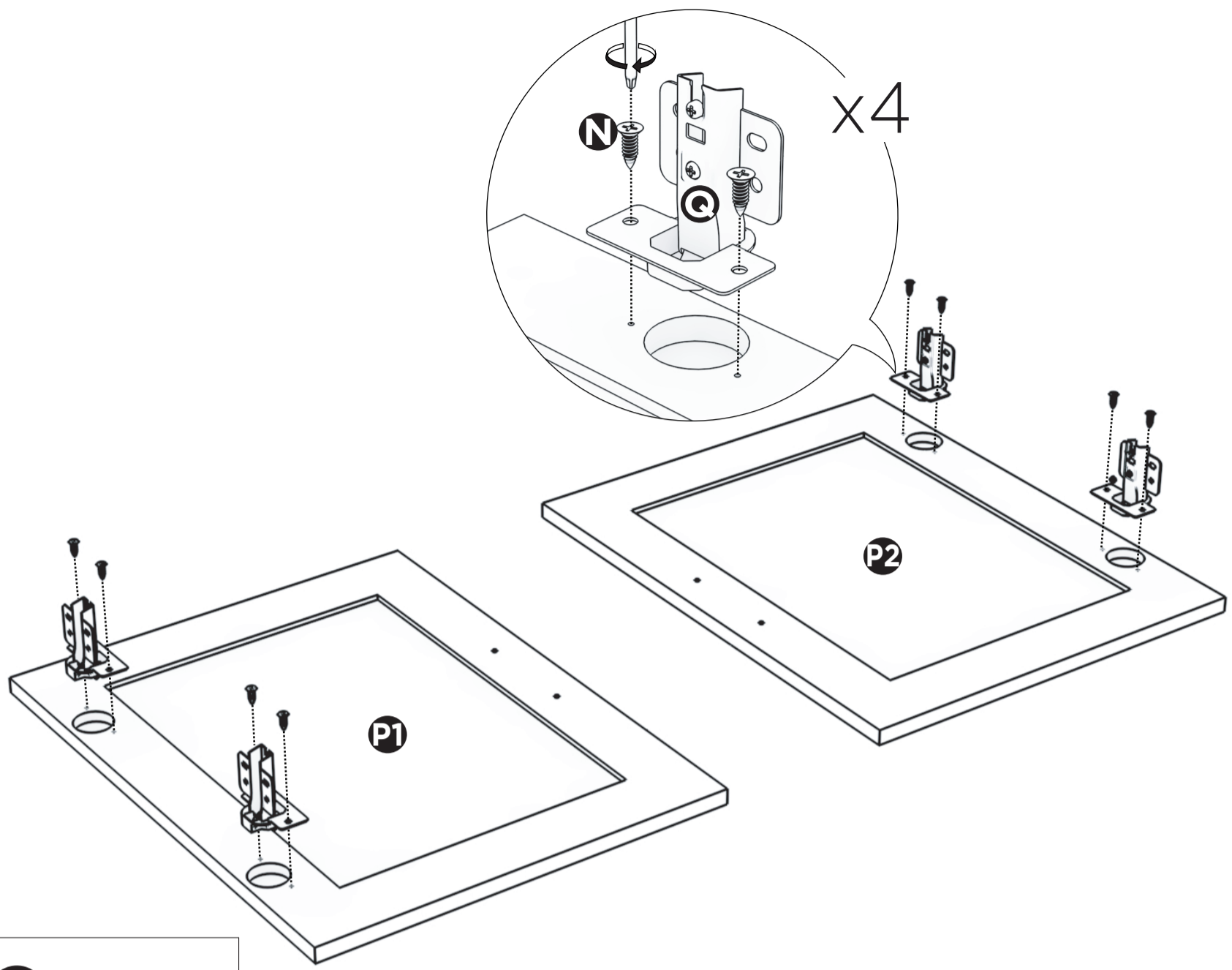


 **M**x12pcs

10

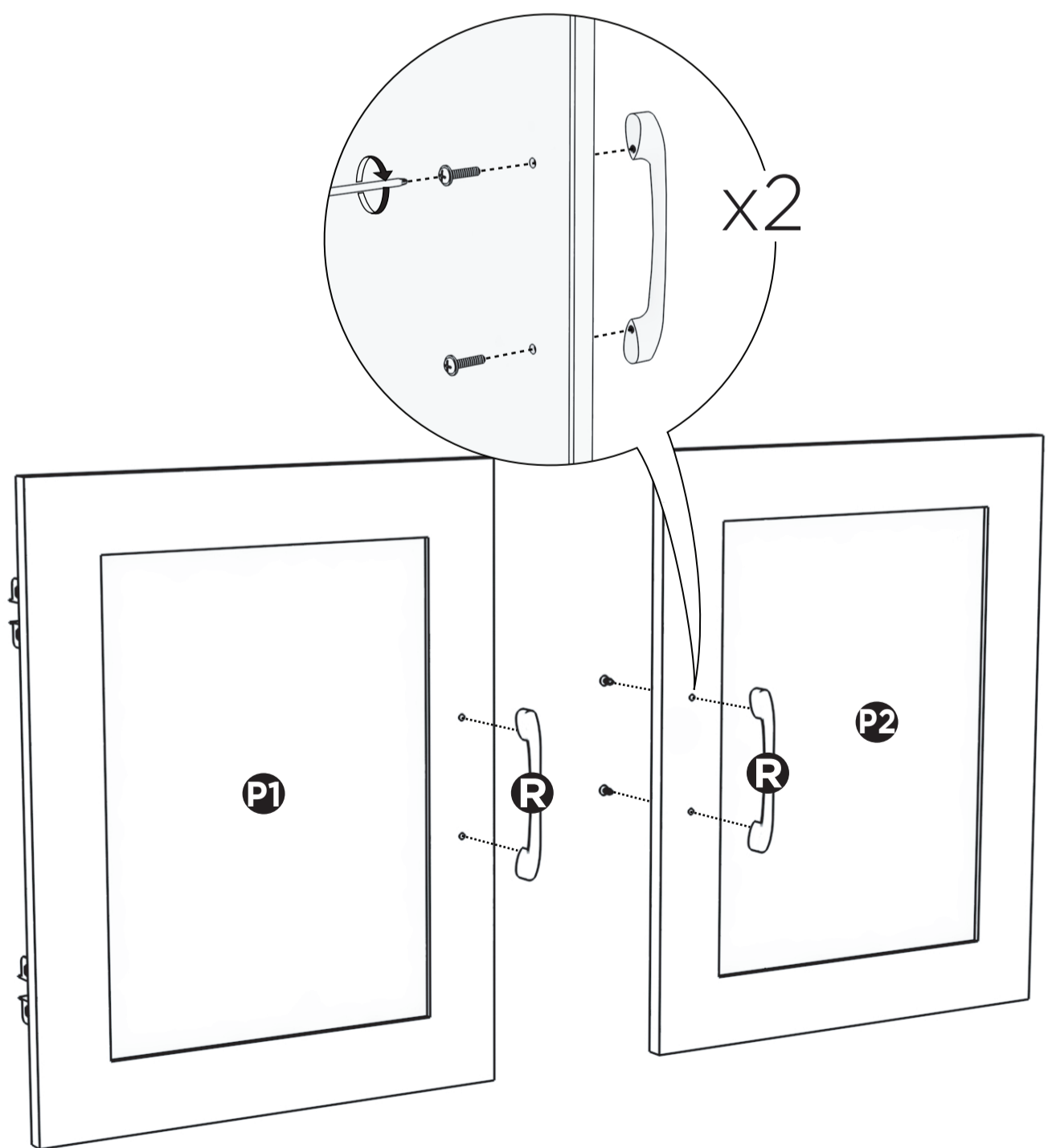


11

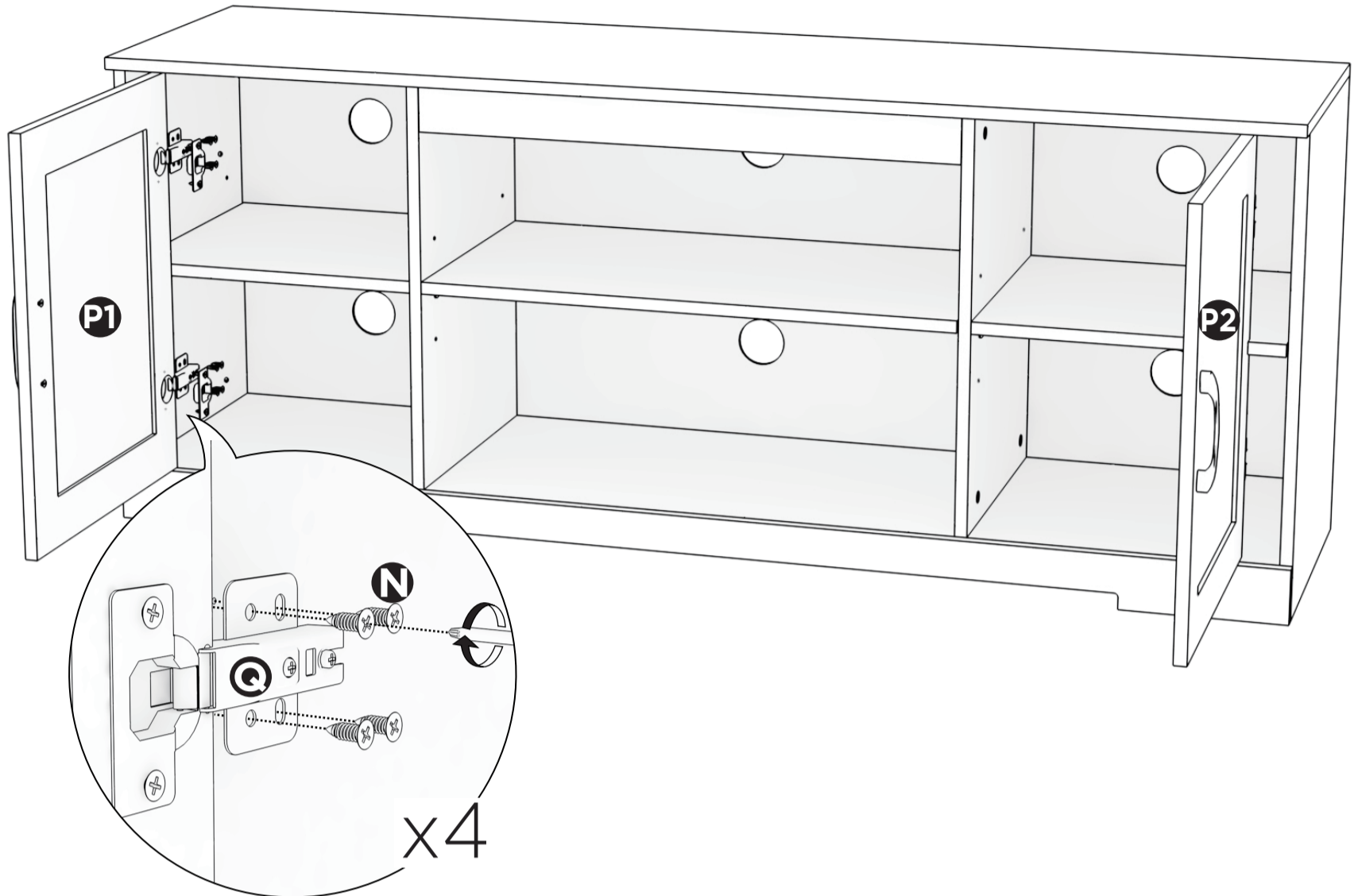


 **N** x8pcs

12

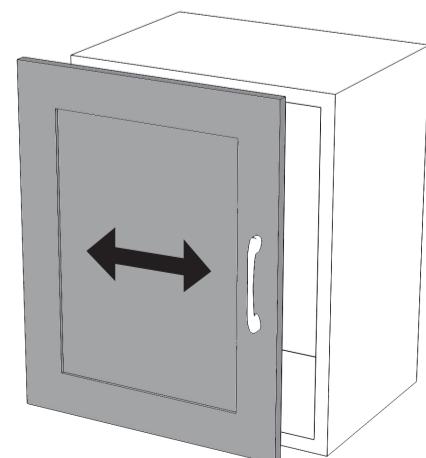
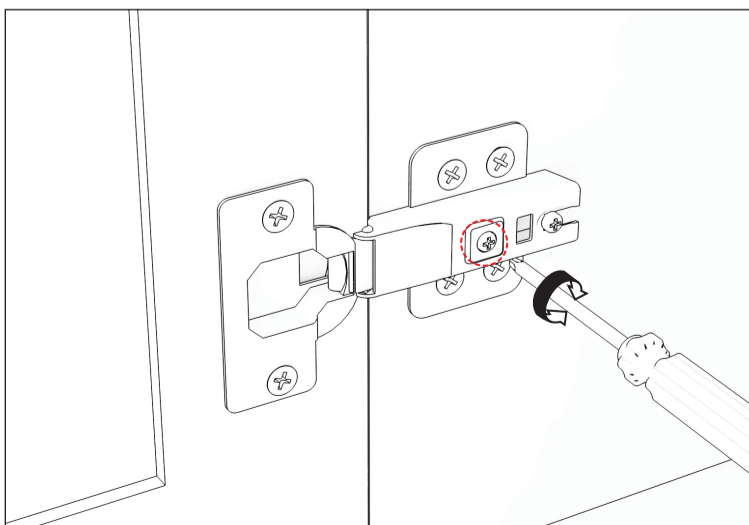
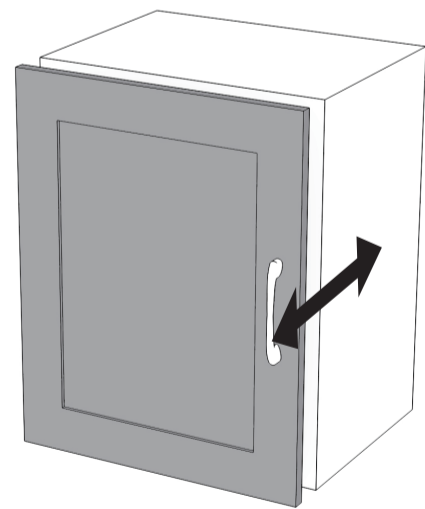
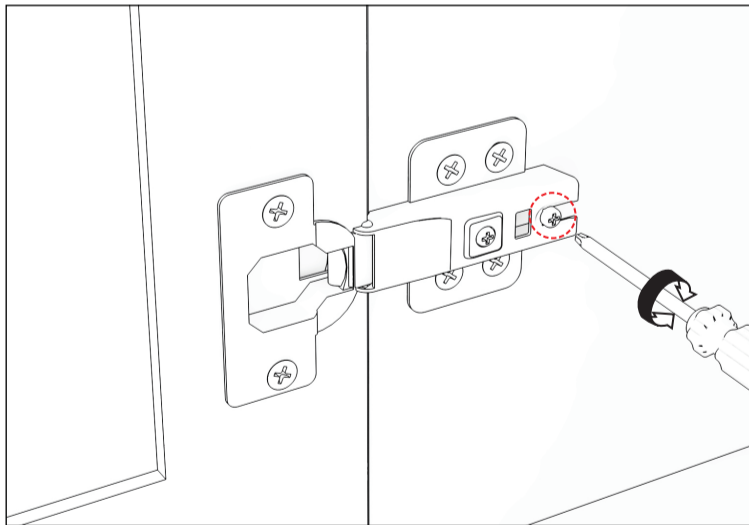


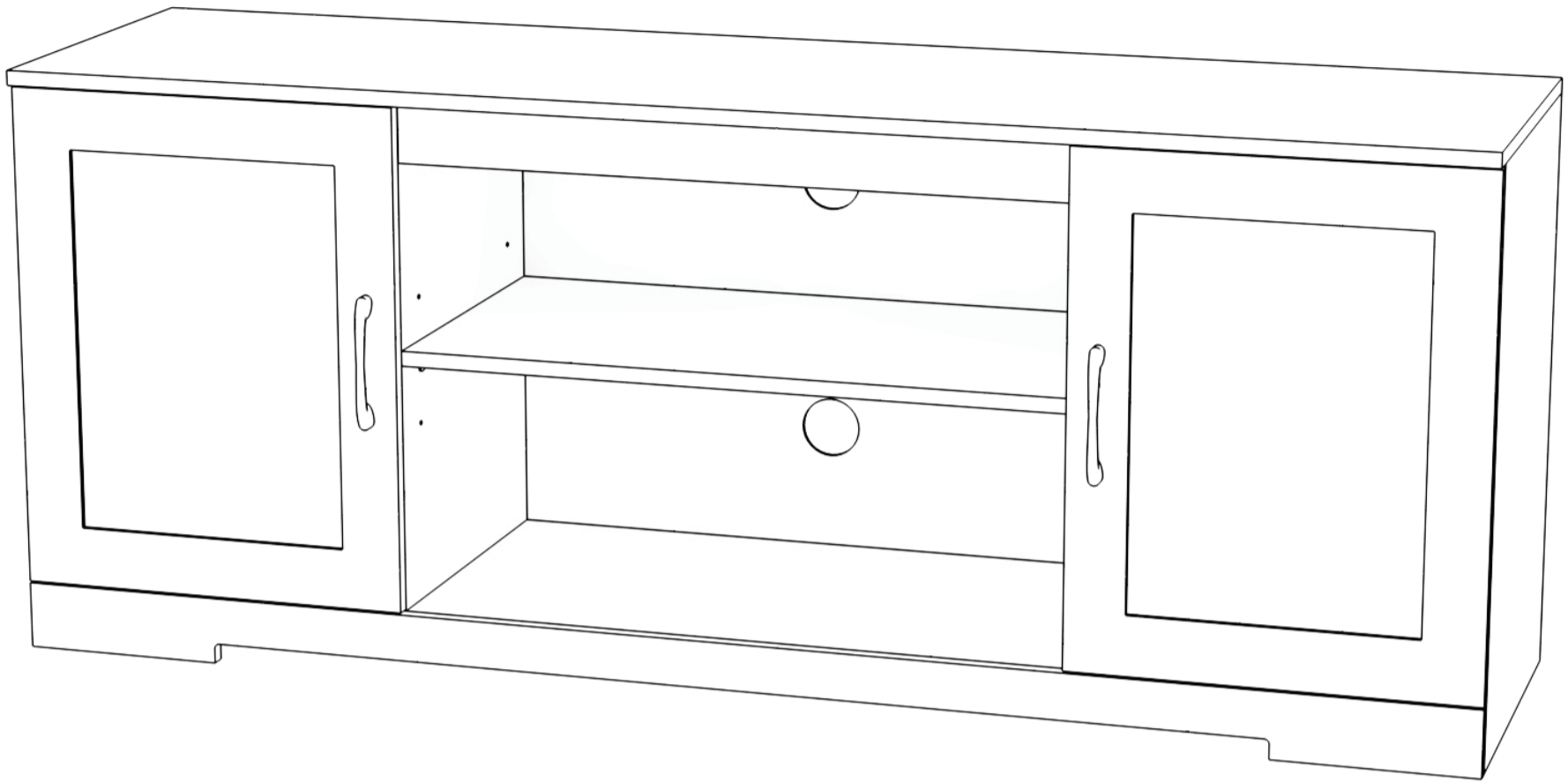
# 13



# 14

If you find that the door of the TV cabinet cannot be completely closed, please adjust it by following the image.





All done

## Return Policy

We believe you will absolutely love your new addition to your home, but if for some reason you want to return the product, please contact us directly before you decide to return your product to the retailer. Our Customer Service organization can answer most concerns and can assist you with any questions you may have about your new product. Please contact us or any questions on our Return Policy.

The item must be returned in good condition, in original box, with all original proof of purchase, parts and accessories, within the time frame specified by the retailer it was purchased from.

# TV Stand Tipover Kit

**1** Drill bit diameter would be dependent on wall anchor we use.

**2**

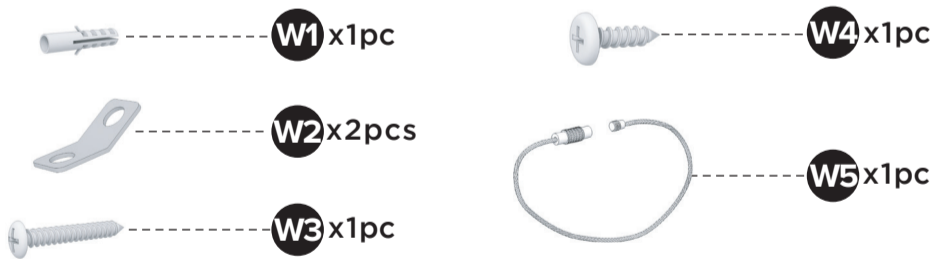
**3**

**4**

**5**

**6**

## Wall anchor kit components



## Additional items you may need for installing the wall anchor



- Note that the use of wall anchor kit may only reduce, but not eliminate the risk of tipover.
- Note for safe mounting, it is essential to use wall anchors appropriate to your wall type (e.g., drywall, brick, plaster).
- Note wall mount to wood studs whenever possible.
- Note for attaching to other specific wall types, or for additional wall fastener questions, please consult a qualified professional. Instructions and provided hardware are meant for Hard brick or cement wall mounting.
- Note to periodically check that all fasteners are tight and free of damage, replace as necessary.

**CAUTION** This stand is intended for use with a product that has dimensions that will permit it to sit evenly on this stand (refer to instructions for details). Use with other products, including products that have dimensions larger than the maximum dimensions allowed, may result in instability and possible injury. This stand is intended for up to a 65" flat panel TV

## ⚠ WARNING



**Children have died from furniture tipover. To reduce the risk of furniture tipover:**

- ALWAYS install tipover restraint provided.
- NEVER exceed the maximum size and weight of the TV shown in the instructions.
- NEVER allow children to stand, climb or hang on drawers, doors, or shelves.
- NEVER open more than one drawer at a time.
- Place heaviest items in the lowest drawers.

**This is a permanent label. Do not remove!**