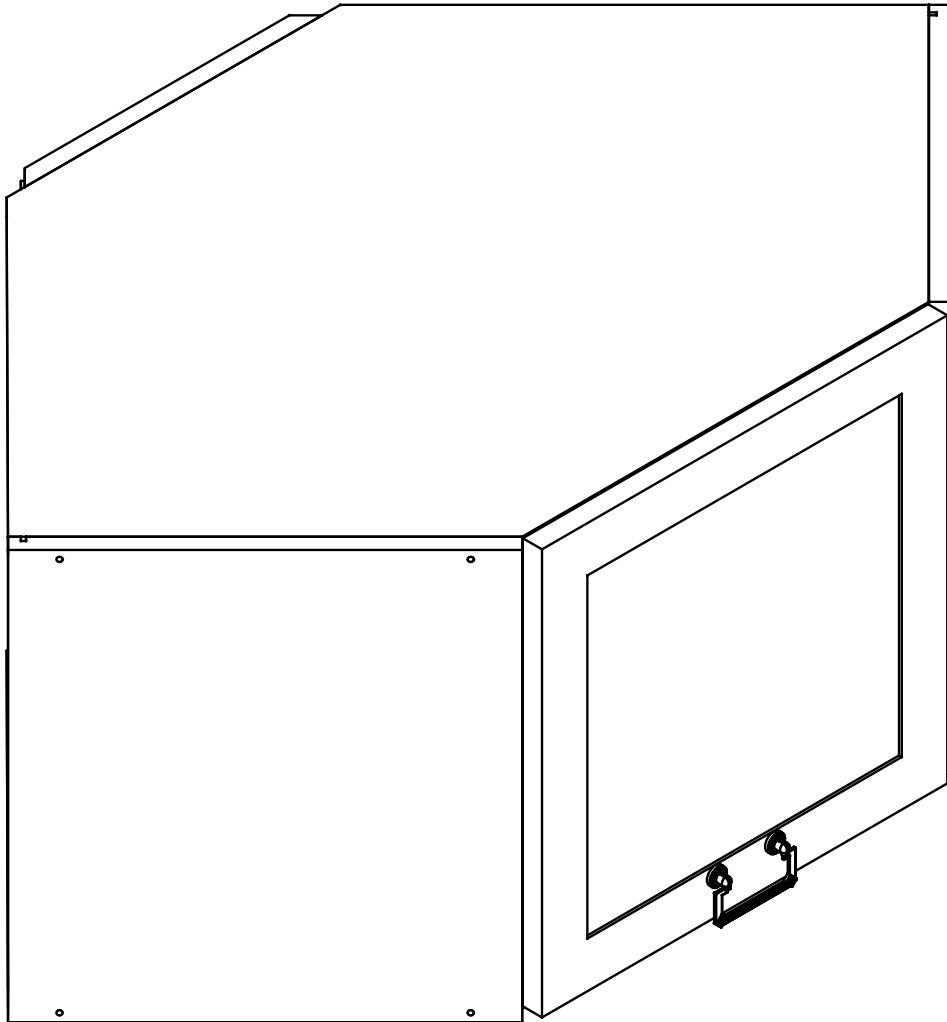


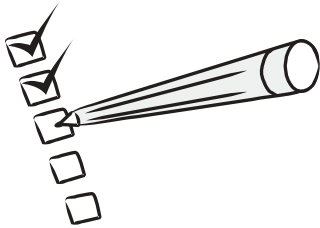
Installation & Assembly



Dear Customer,

We design and produce our products for people to love and have fun with them as we do.

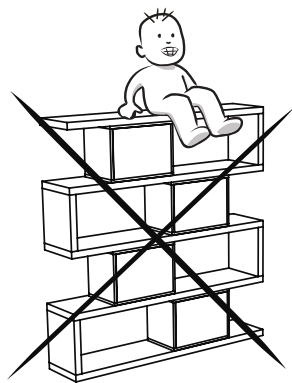
The product you bought was subjected to all sorts of tests and control before sending out to you.



Before start assembling, please check the whole components and accessories according to the lists. If you bought more than one product, to prevent confusion be sure that you completed the first product. Then start the other product's assembling.



Before start assembling, please clean all the components with a damp cloth. Also for usual cleaning, this will be enough.

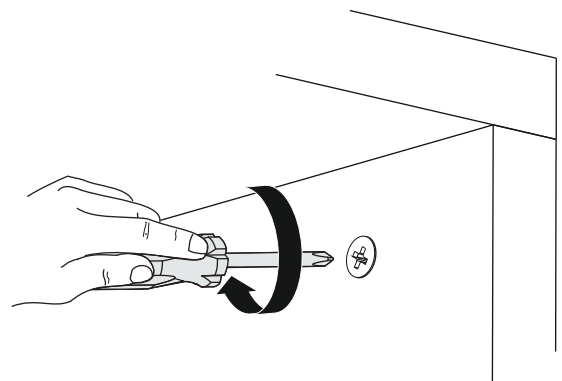
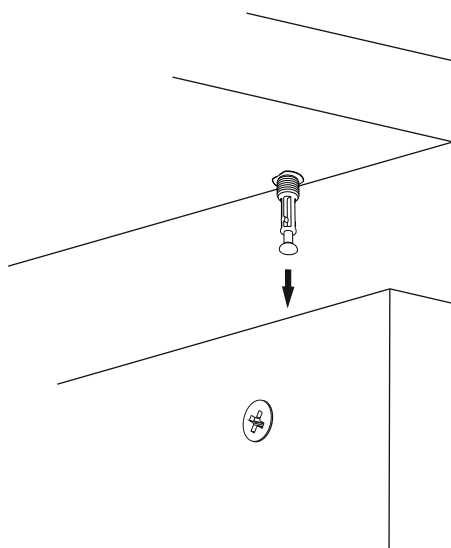
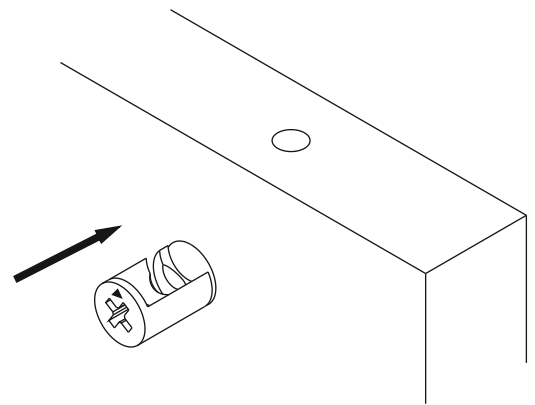
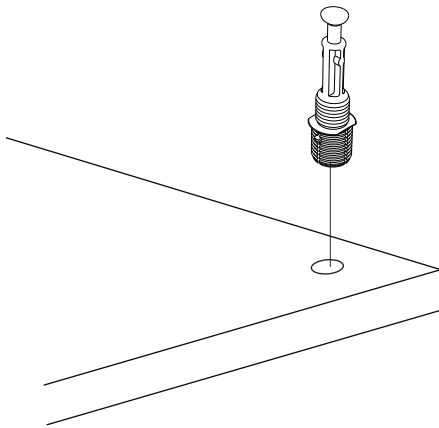
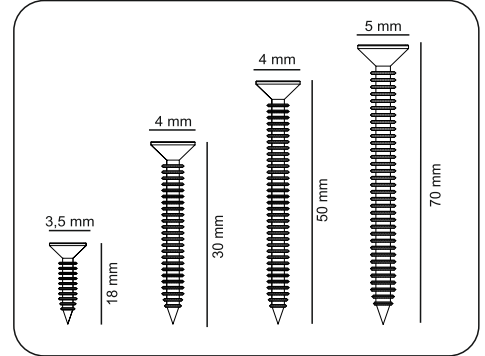
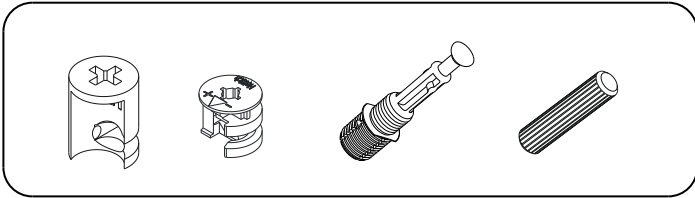


Do not use your furniture for out of purposes. If you would like to use it, please contact us for further questions.

Do not directly contact your furniture with excessive heat, cold and humidity because the product can be affected..

ATTENTION !!

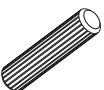
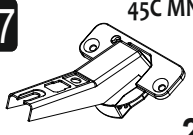
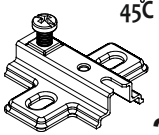
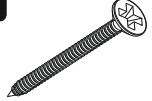



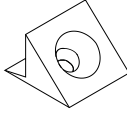
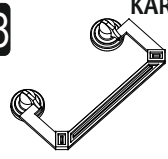
Minifix is the main connection material used in products. Before starting assembly, please check the drawings below.



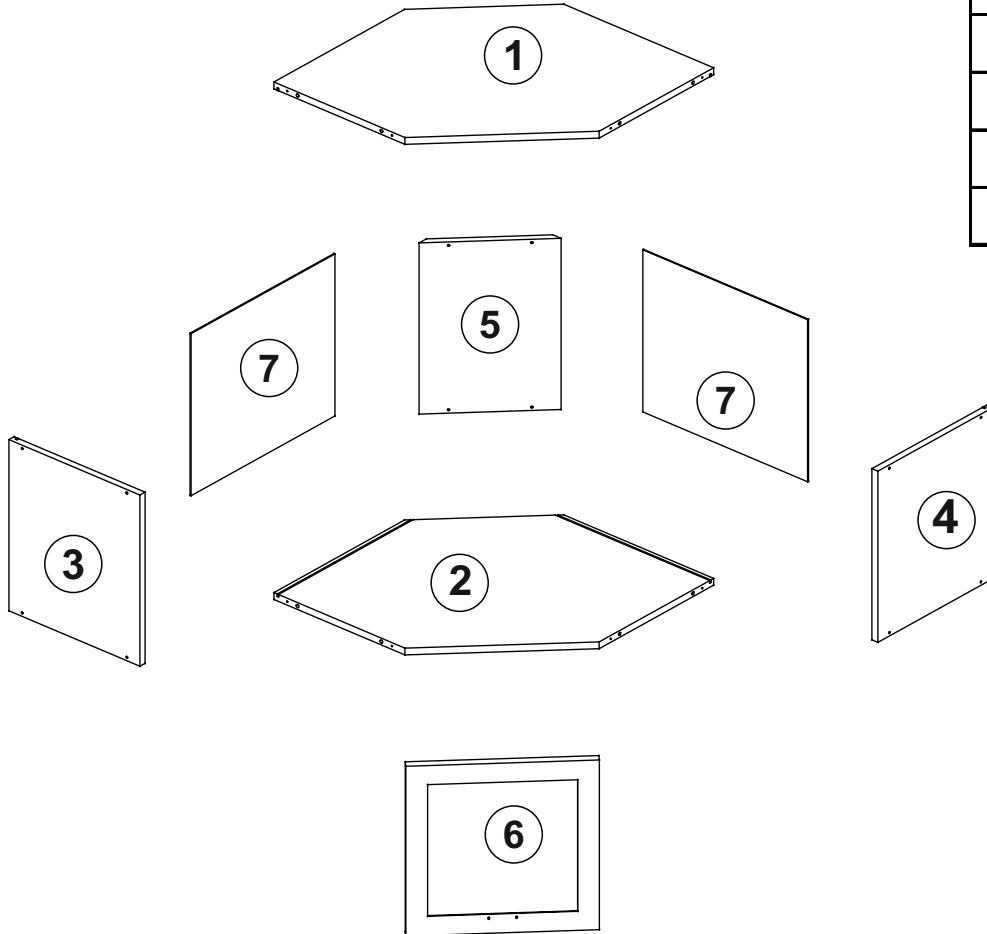
ACCESSORY LIST

KALE KÖŞE YÜKLÜK COUNTRY

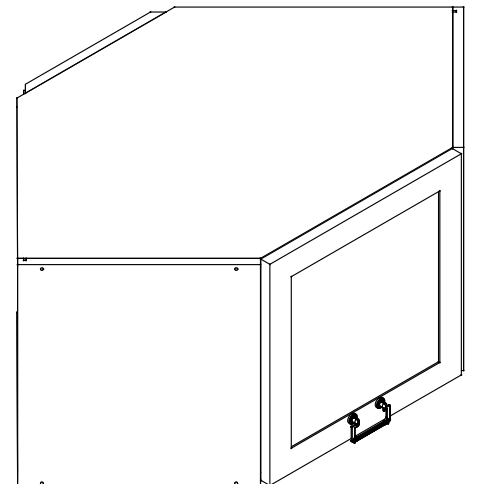
BEYAZ-NOSTALJİ - Y4503

A04  KVLV 8x30 8x	C07  45° MNTŞ 2x	C08  45° MA 2x	A17  4x50 12x	A49  KLP VD 4x25 2x
A18  3,5x18 20x	A10  14mm BYZ 12x	A25  ARKLIK PM 64mm 12x	K18  KAR KLP 1x	

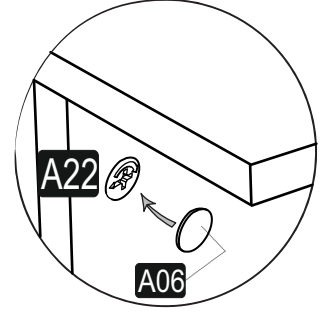
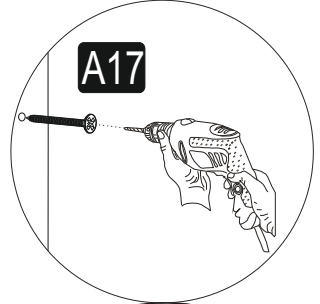
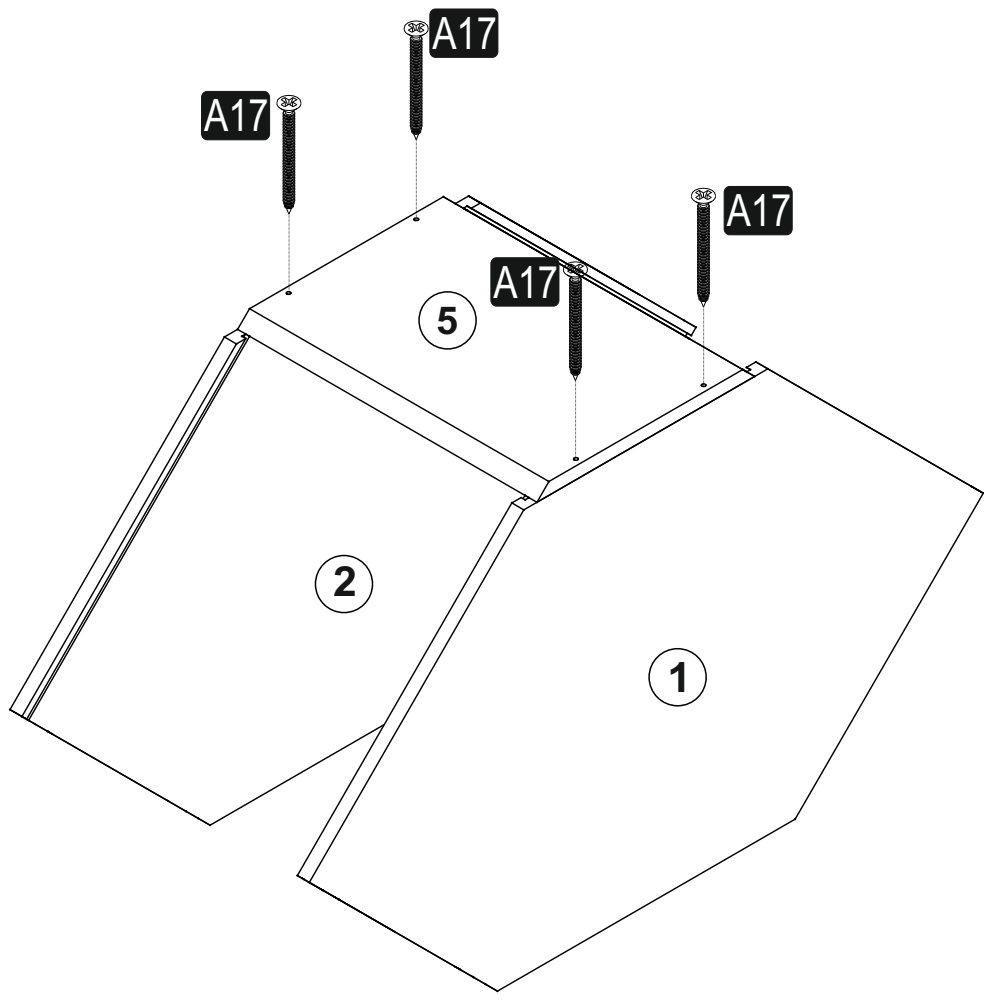
GENERAL VIEW



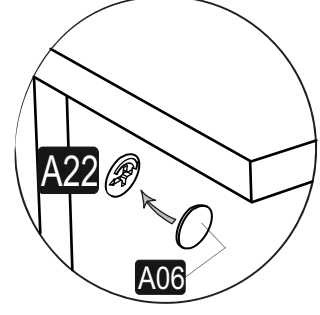
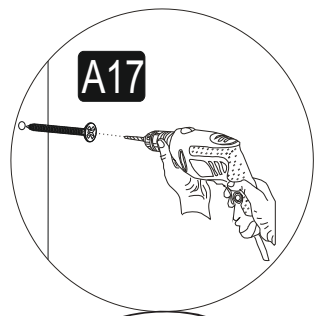
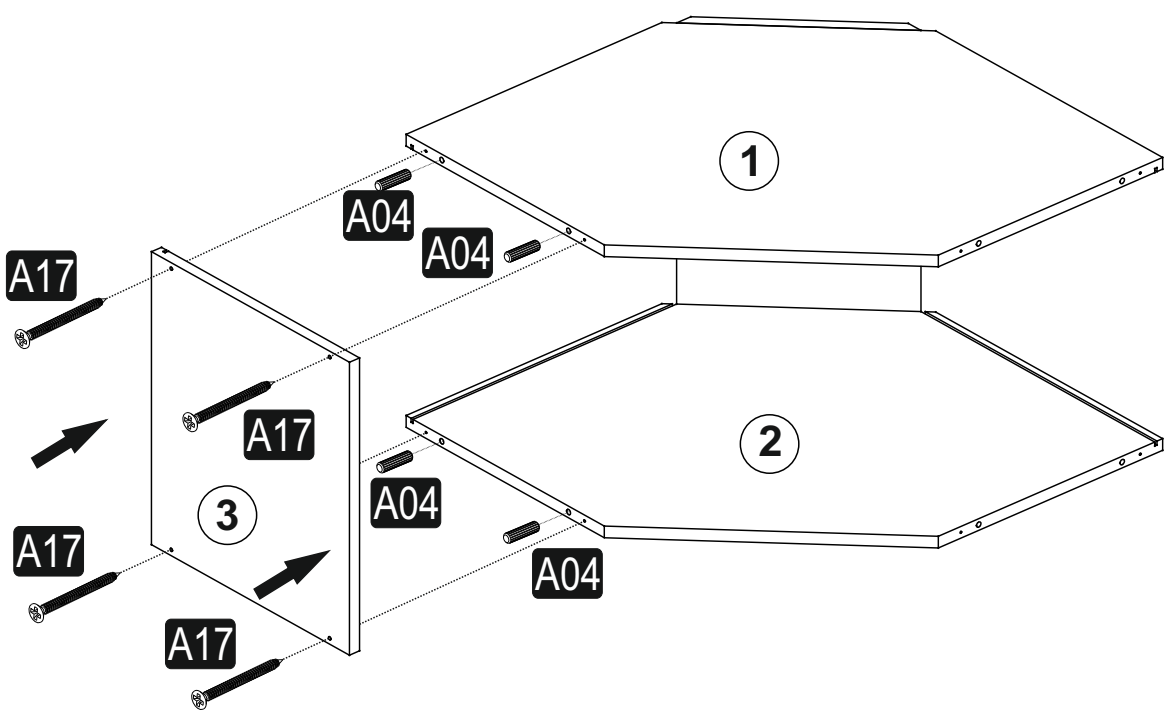
.01	1	717	717	18
.02	1	717	717	18
.03	1	450	400	18
.04	1	450	400	18
.05	1	450	327	18
.06	1	446	446	18
.07	2	502	426	3



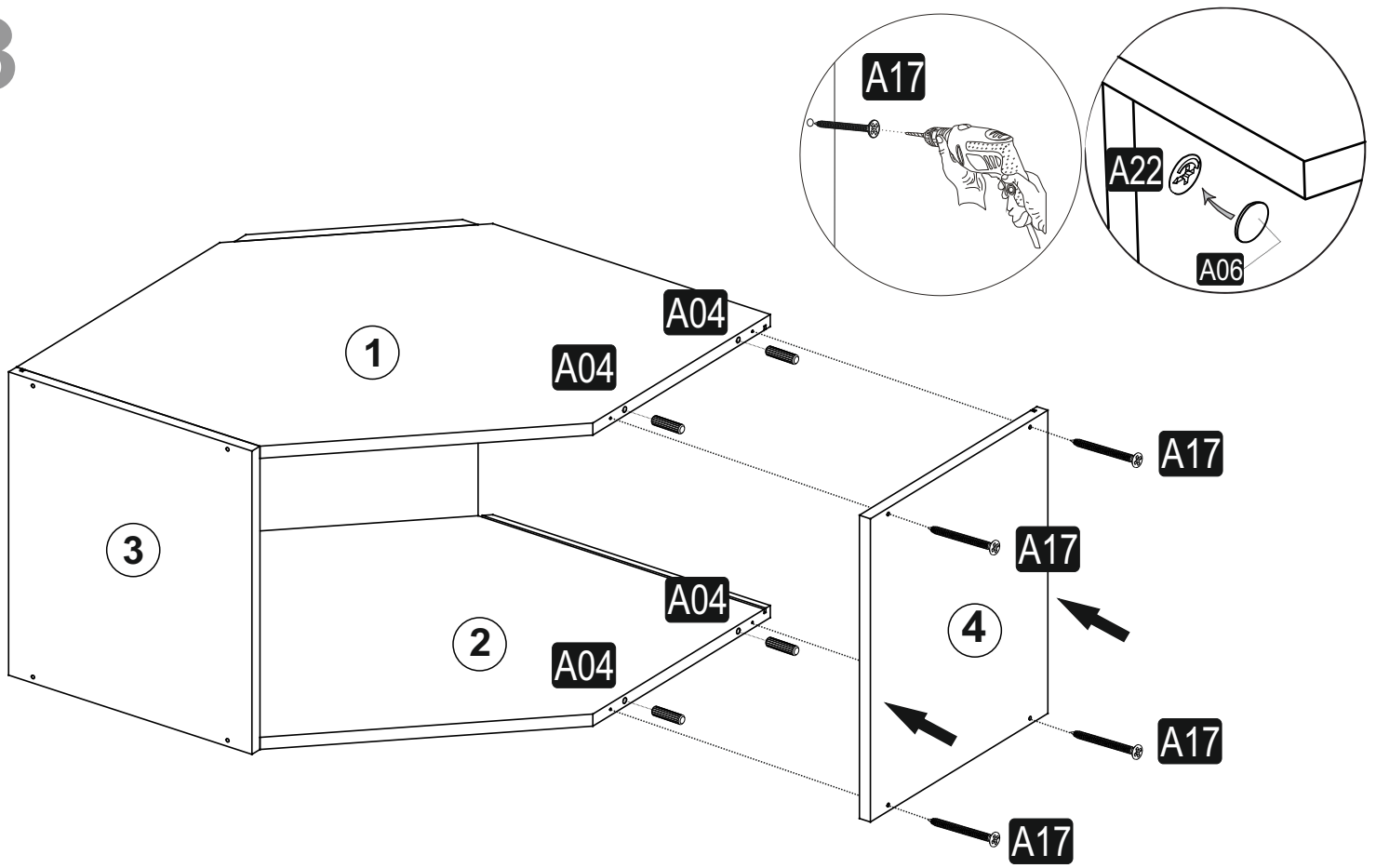
1



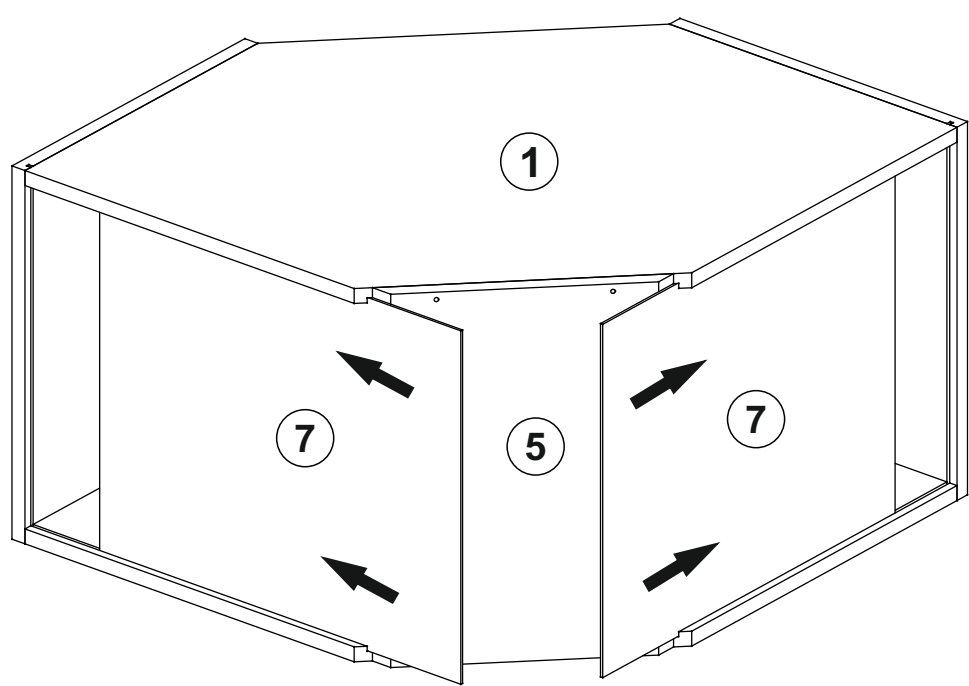
2



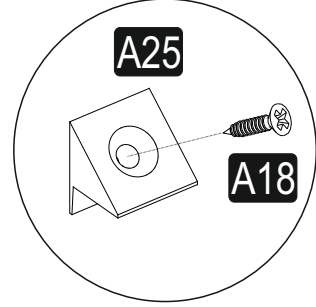
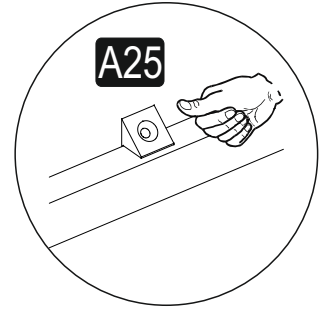
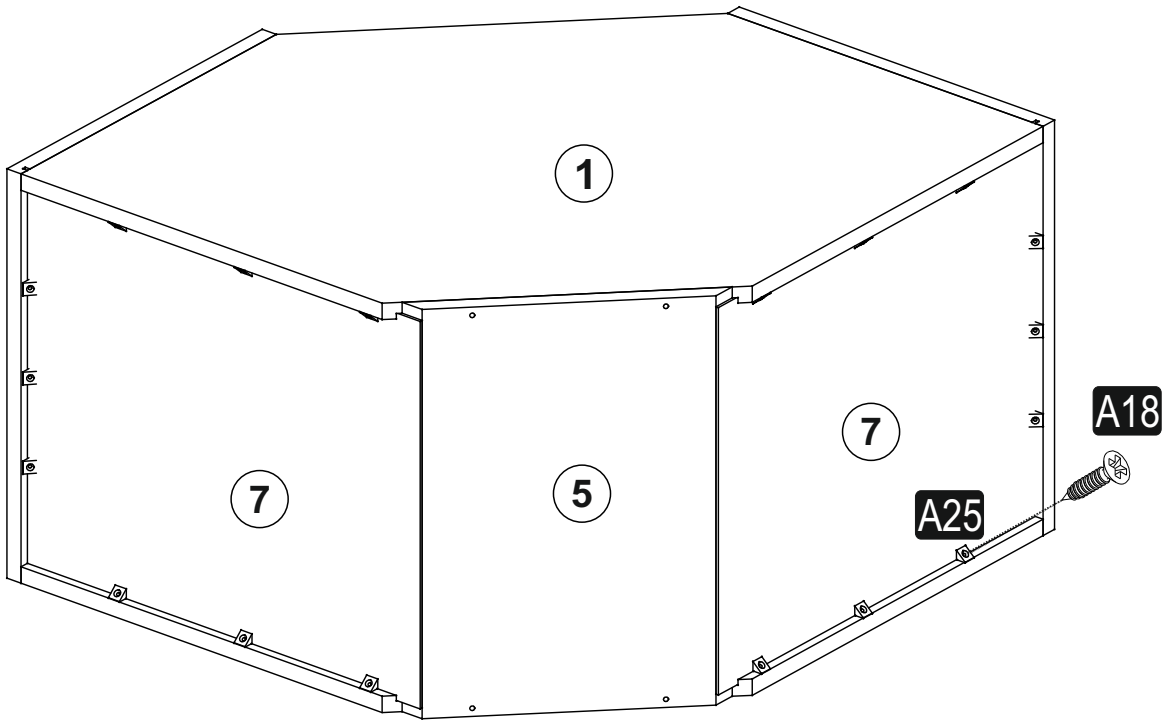
3



4



5



6

