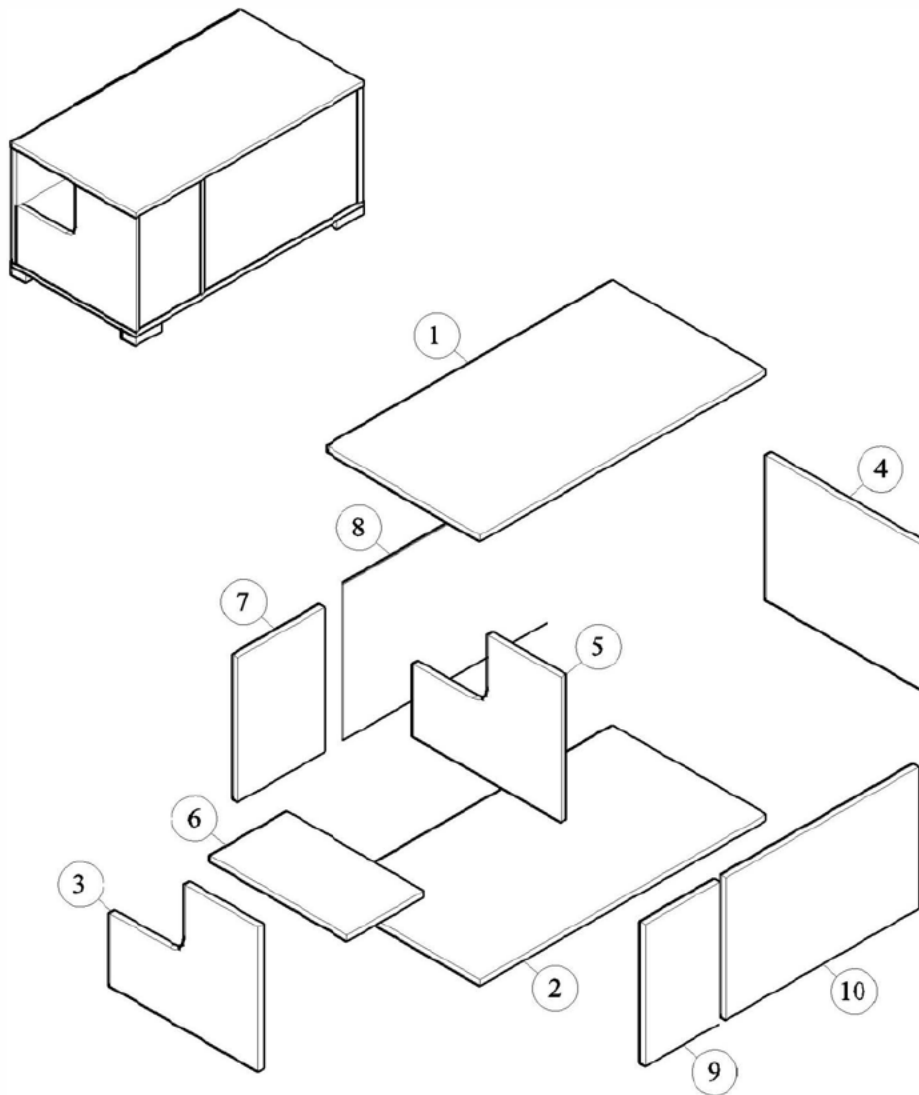







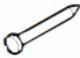

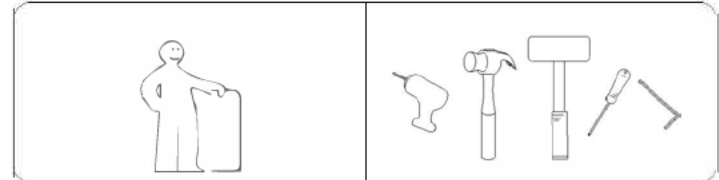
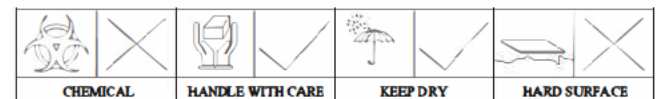




PANEL POSITION



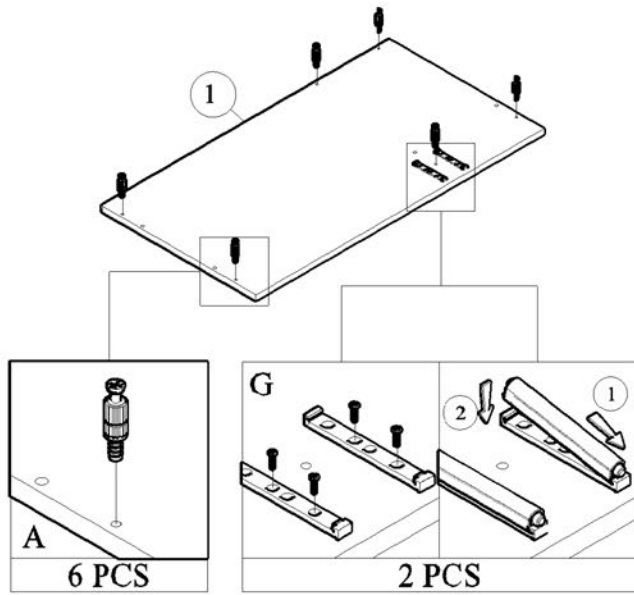
	ACCESSORIES	QUANTITY
A	 MINIFIX M5 x 24MM	10 PCS
B	 MINIFIX CASING	10 PCS
C	 WOOD DOWEL M8 x 30MM	14 PCS
D	 SCREW M6 x 50MM	8 PCS
E	 PVC LEG SCREW M4x38MM	5 PCS 10 PCS
F	 HYDRAULIC HINGES 7/8" SCREW M3.5 x 16MM	4 PCS 24 PCS
G	 PUSH MAGNET SCREW M3.5x16MM	2 SETS 8 PCS
H	 POWER PIN	12 PCS
I	 ALLEN KEY	1 PC



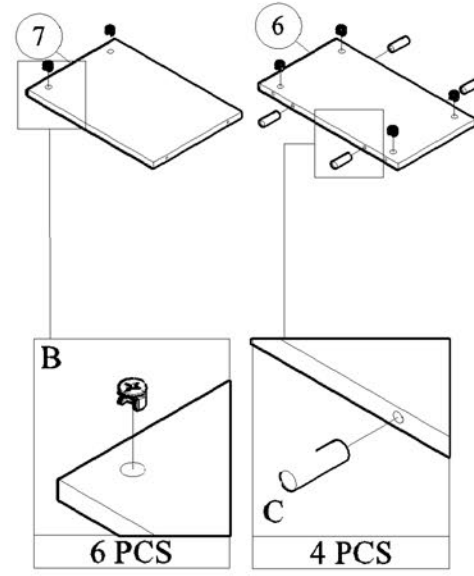


START ASSEMBLY

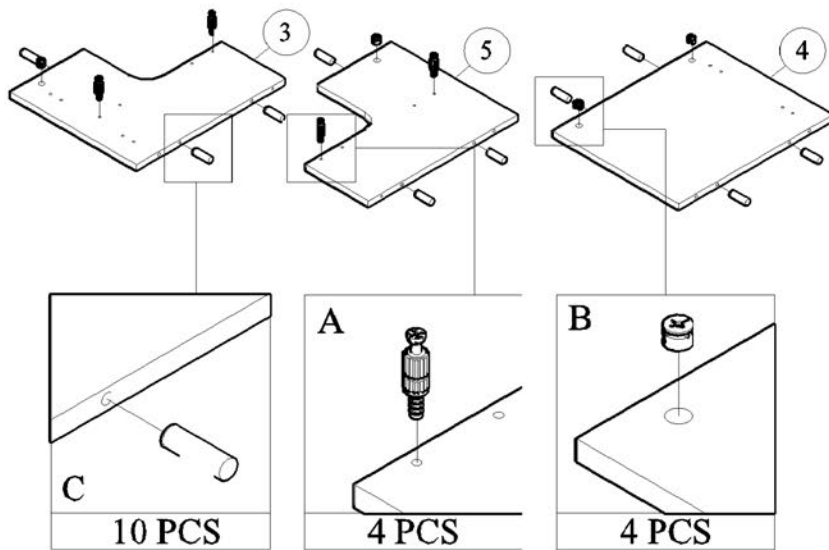
STEP 1



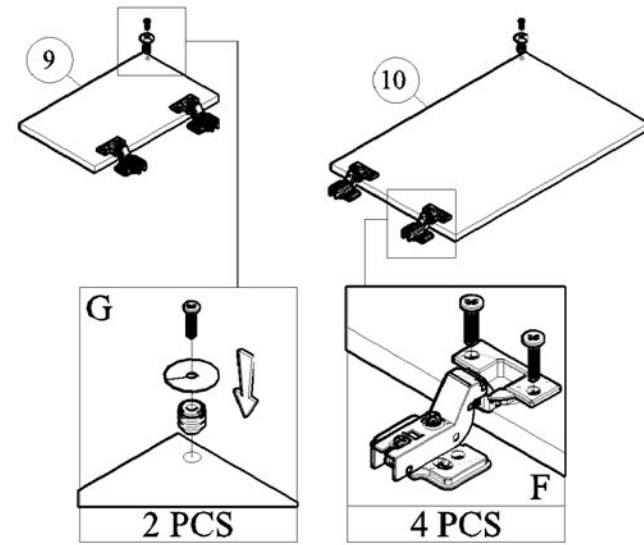
STEP 2



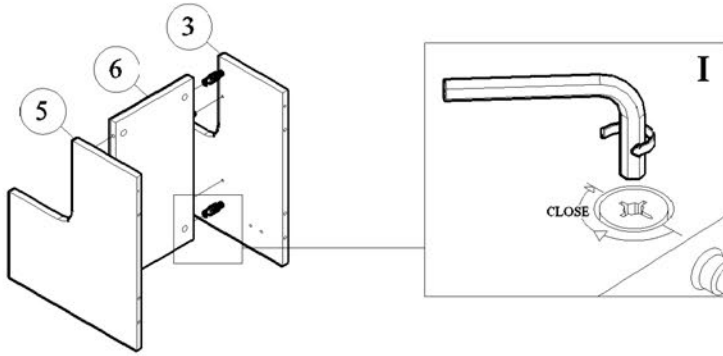
STEP 3



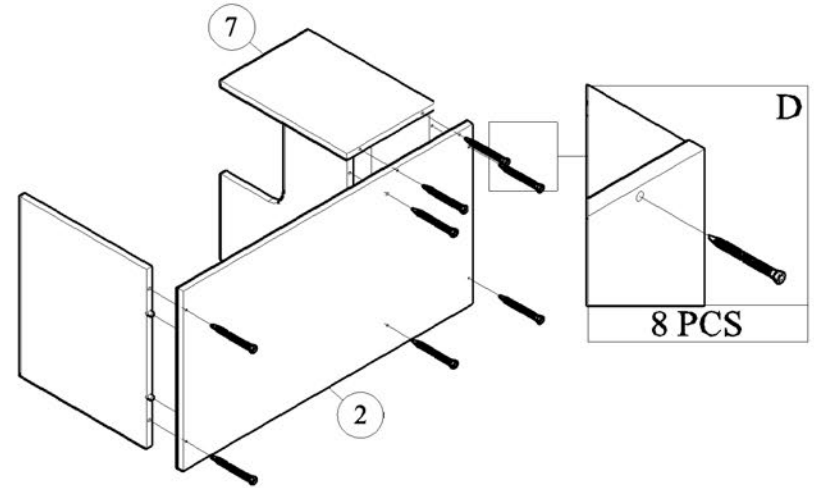
STEP 4



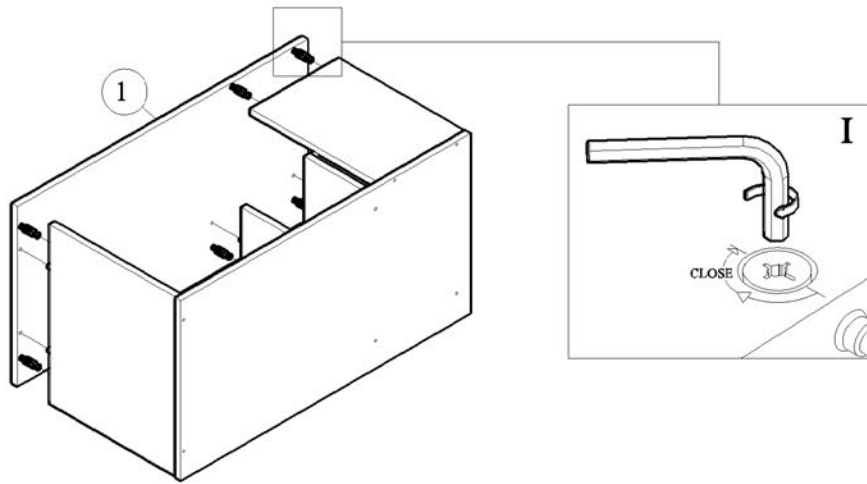
STEP 5



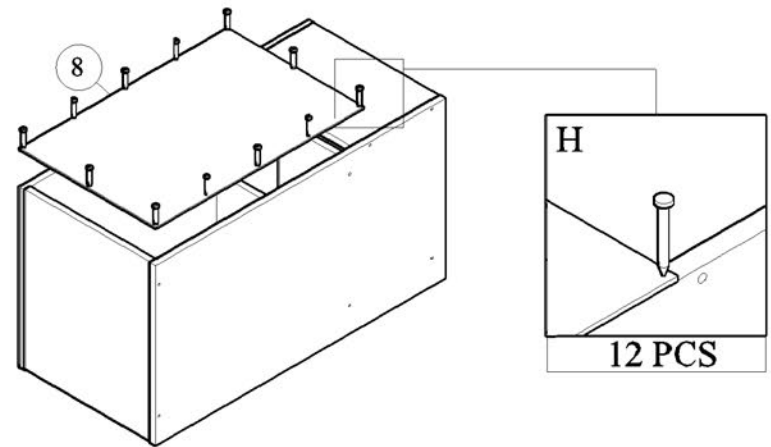
STEP 6



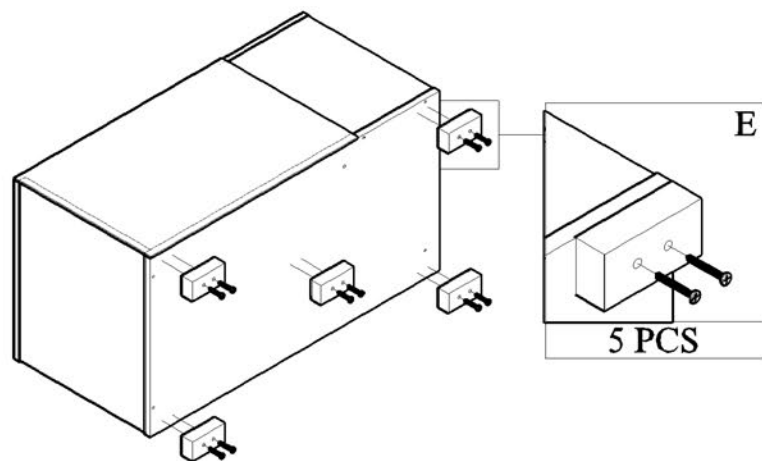
STEP 7



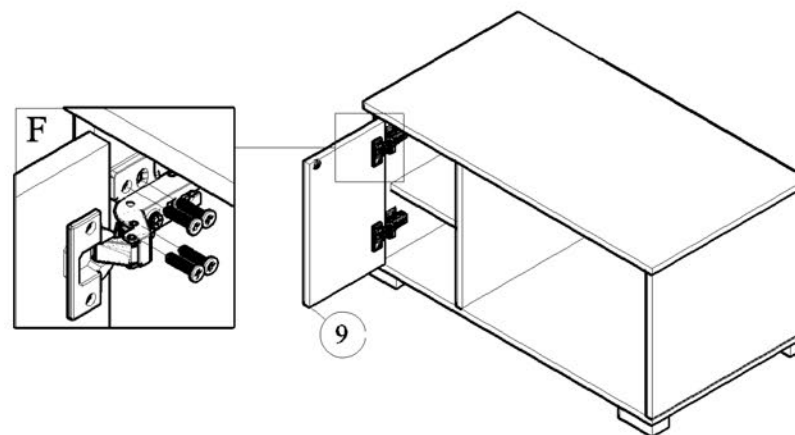
STEP 8



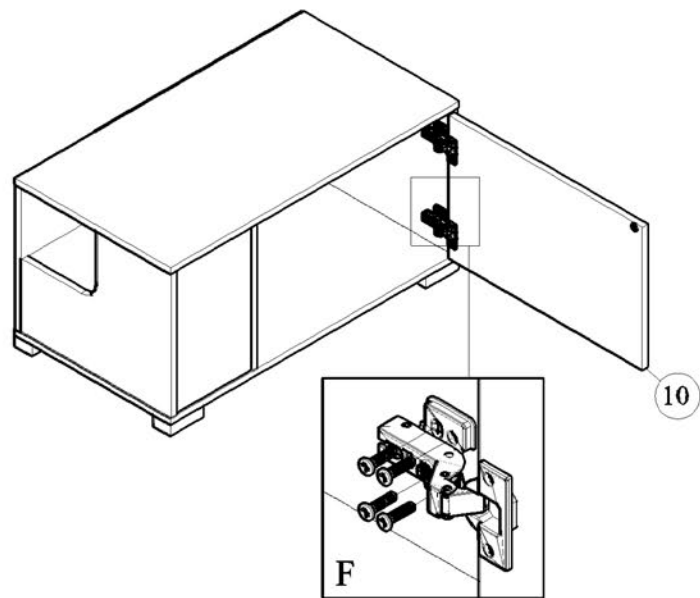
STEP 9



STEP 10



STEP 11



COMPLETED

