

EN



Before You Start

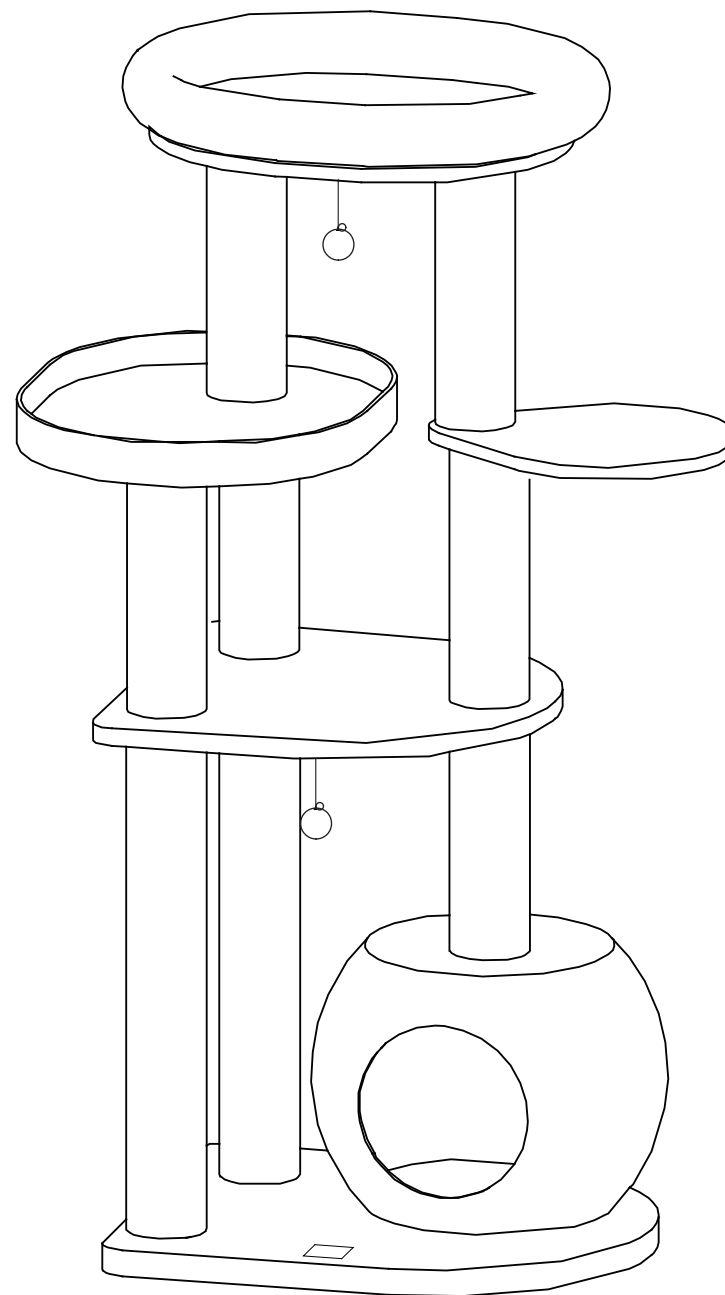
- ⚠ Please read all instructions carefully.
- ⚠ Retain instructions for future reference.
- ⚠ Separate and count all parts and hardware.
- ⚠ Read through each step carefully and follow the proper order.
- ⚠ We recommend that, where possible, all items are assembled near to the area in which they will be placed in use, to avoid moving the product unnecessarily once assembled.
- ⚠ Always place the product on a flat, steady and stable surface.
- ⚠ Keep all small parts and packaging materials for this product away from babies and children as they potentially pose a serious choking hazard.

EN

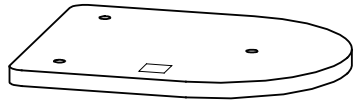


Return / Damage Claim Instructions

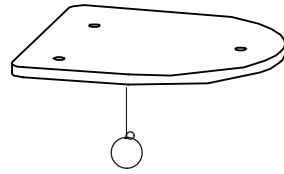
- ⚠ **DO NOT discard the box / original packaging.**
In case a return is required, the item must be returned in original box. Without this your return will not be accepted.
- ⚠ **Take a photo of the box markings.**
A photo of the markings (text) on the side of the box is required in case a part is needed for replacement. This helps our staff identify your product number to ensure you receive the correct parts.
- ⚠ **Take a photo of the damaged part (if applicable).**
A photo of the damage is always required to file a claim and get your replacement or refund processed quickly. Please make sure you have the box even if it is damaged.
- ⚠ **Send us an email with the images requested.**
Email us directly from marketplace where your item was purchased with the attached images and a description of your claim.



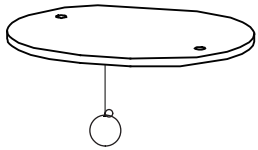
A × 1



B × 1



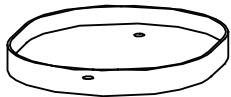
C × 1



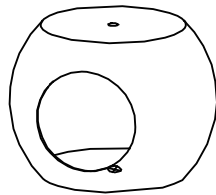
D × 1



E × 1



F × 1



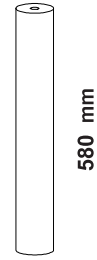
G × 1



H × 1



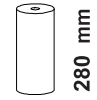
P1



580 mm

× 2

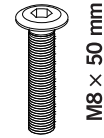
P2



280 mm

× 6

W1



M8 × 50 mm

× 6

W2



M8 × 35 mm

× 1

W3



M8 × 70 mm

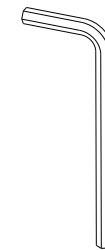
× 5

W4



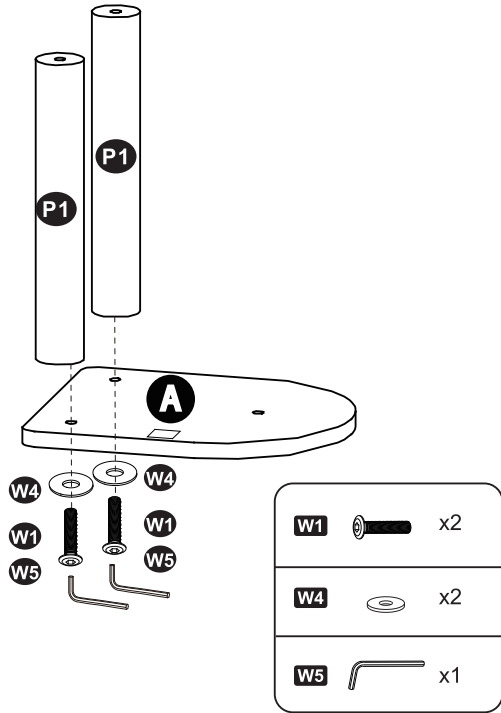
× 4

W5

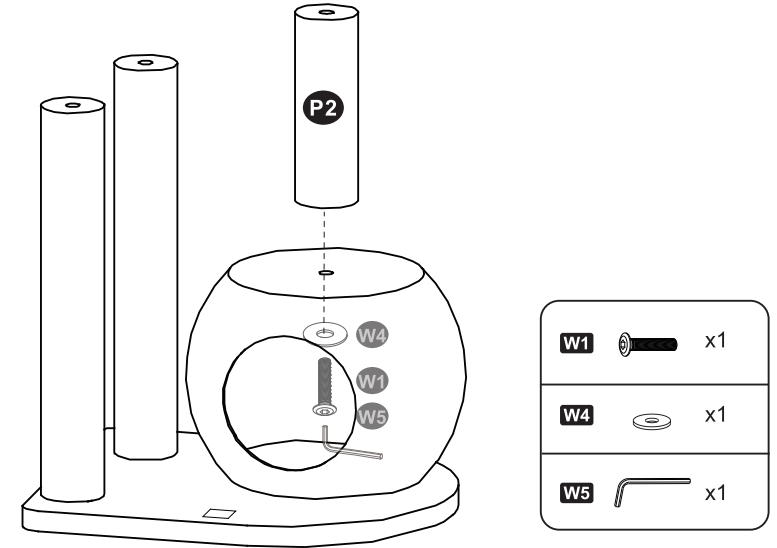


× 1

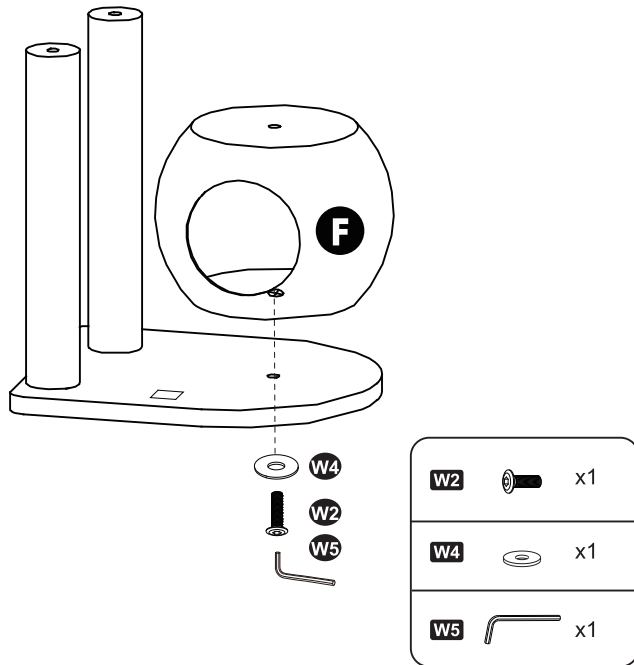
1



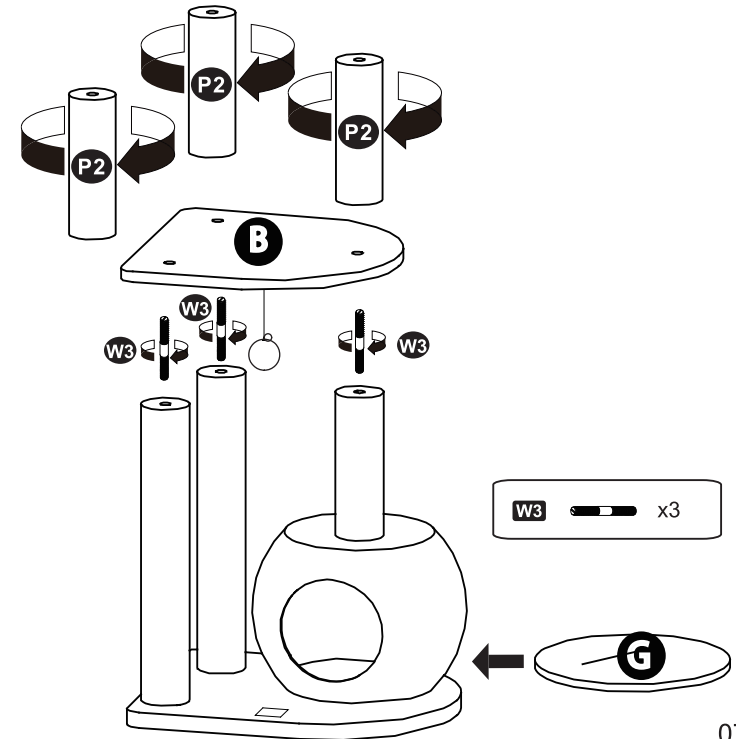
3



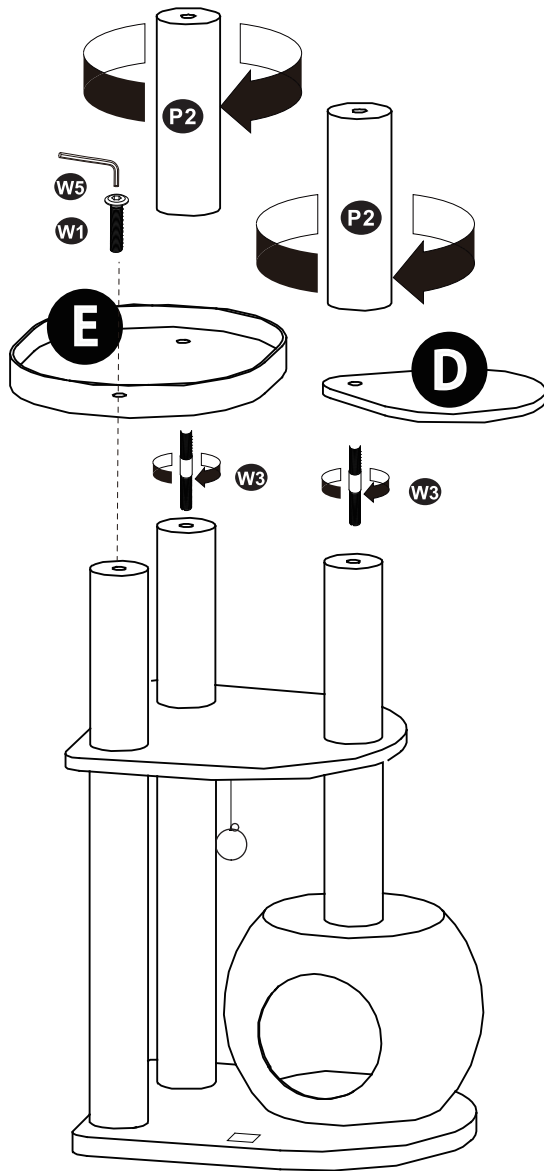
2






4

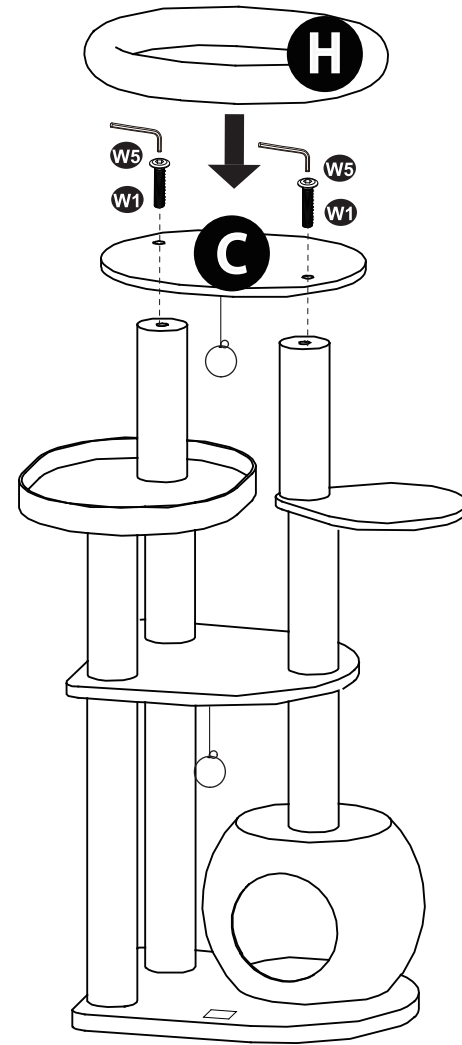




5



W1		x1
W3		x2
W5		x1

6



W1		x2
W5		x1