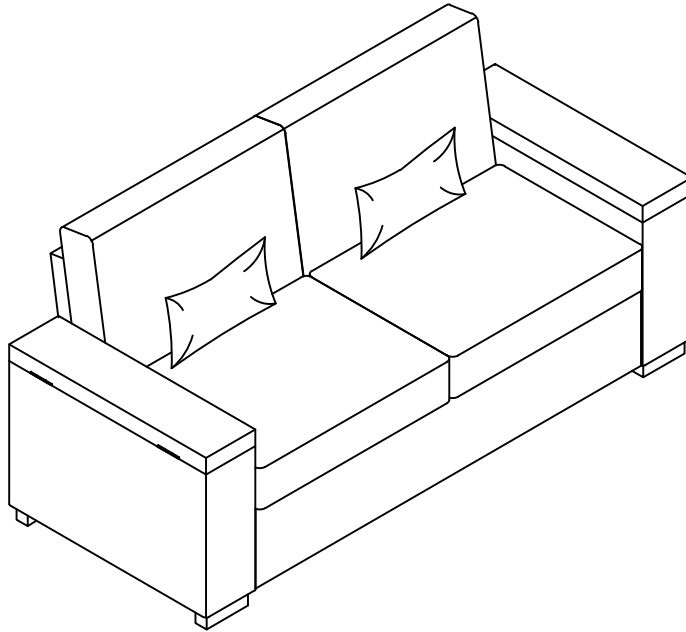


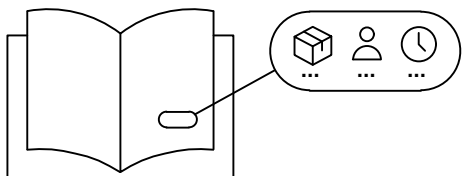
USER MANUAL



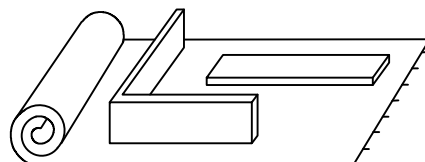
Warming Tips:

1. Review the installation instruction and check that all parts are complete.
2. Identify the parts (armrests) that need to be differentiated between left and right.
3. Tap the backrest and place it in the sunlight to fluff it up quickly, it takes about 48 hours for the backrest to fluff up.
4. Do not stand or jump on the parts of the sofa to avoid damage.
5. To ensure that the sofa does not get dirty, please make sure that the floor is clean enough before the installation begins.

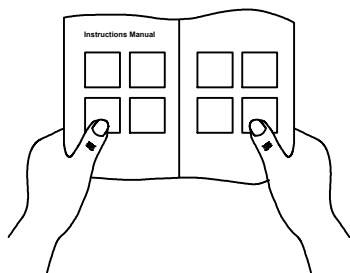
Before you start...



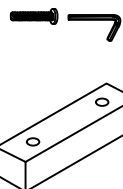
Ensure you have received all cartons and familiarize yourself with the workload. Make sure if you need someone to assist you, and that you have allocated the time required to assemble your new product.



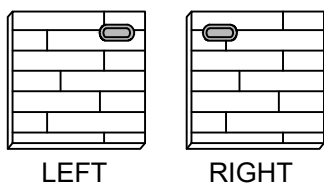
Please ensure that you leave enough space in your home for assembly. We recommend that you place cushions or cardboard on the floor to protect the floor and to ensure that the sofa does not get stained.



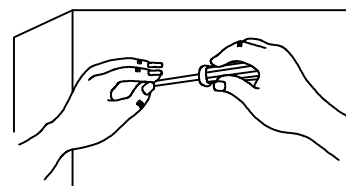
Read instructions carefully and check no parts are missing.



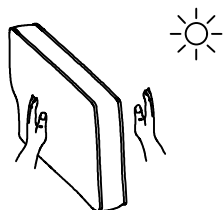
Lay out all hardware on a soft surface so you can easily identify them.



Carefully identify all components in order to differentiate which pieces are left and right.



Install your new product carefully following the instructions. Don't skip ahead!



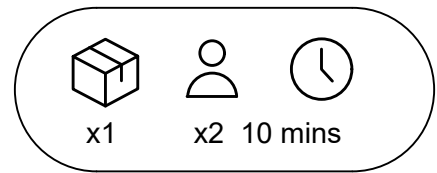
Tap the backrest and place it in the sunlight to fluff it up quickly, it takes about 10 minutes for the backrest to fluff up.

Pay attention: Because of the compressed packaging, there may be some creases on the cover. Please do not worry, pat it several times and wait for moments, the crease will be more natural and will not affect the use.



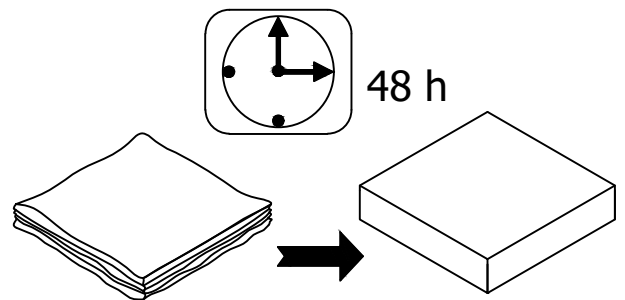
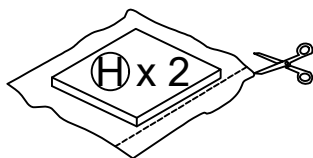
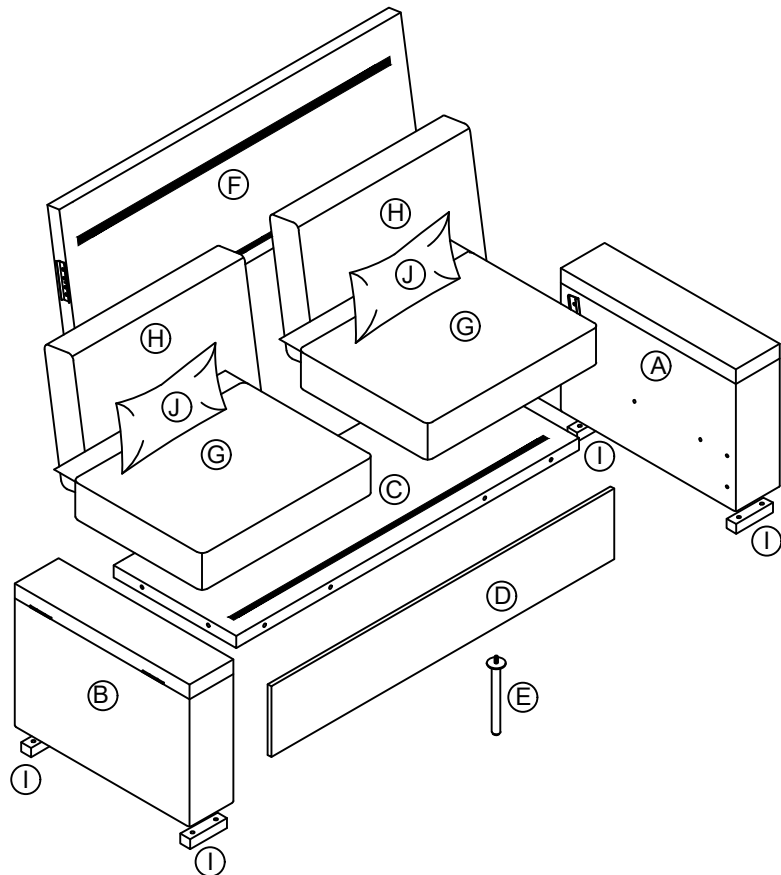
Do not stand or jump on the parts of the sofa to avoid damage.

Product Diagram



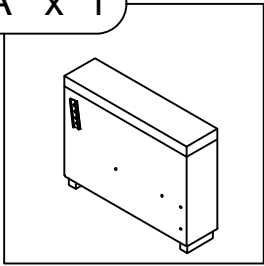
Parts

- A. Armrest(left)
- B. Armrest(right)
- C. Pedestal
- D. Front panel
- E. Metal legs
- F. Backrest
- G. Cushion(seat)
- H. Cushion(back)
- I. Sofa legs
- J. Pillows

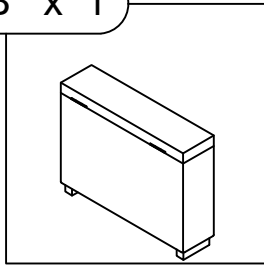


Please don't tighten the screws until all the screws are put into the hole.

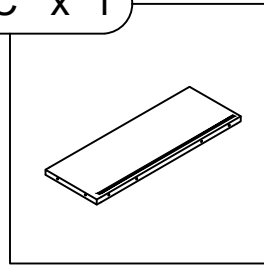
A x 1



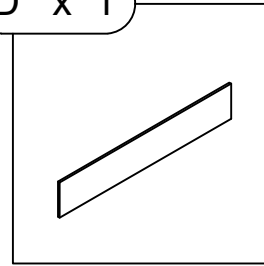
B x 1



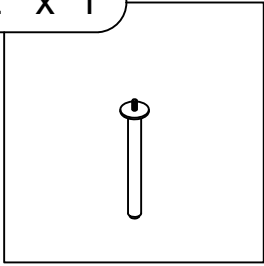
C x 1



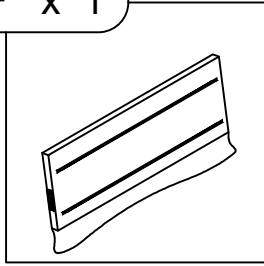
D x 1



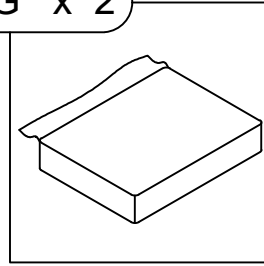
E x 1



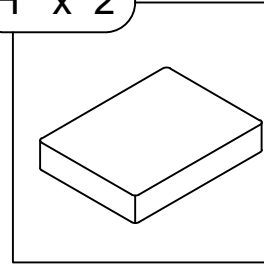
F x 1



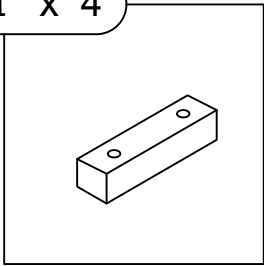
G x 2



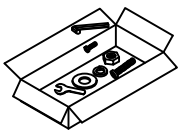
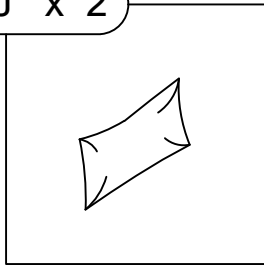
H x 2



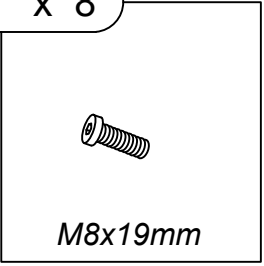
I x 4



J x 2

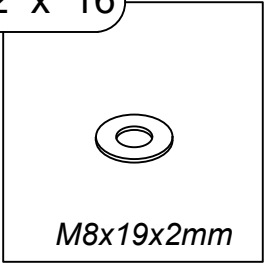


1 x 8



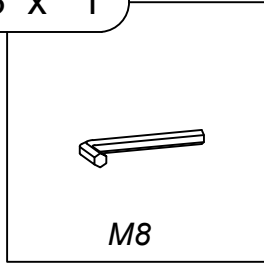
M8x19mm

2 x 16



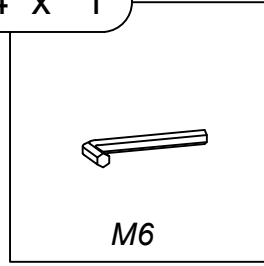
M8x19x2mm

3 x 1



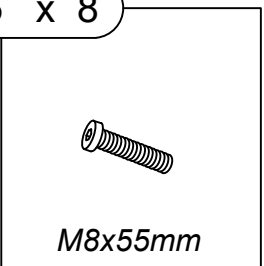
M8

4 x 1



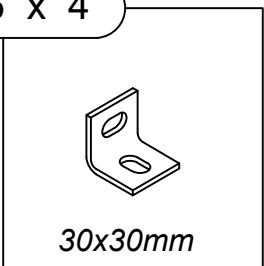
M6

5 x 8



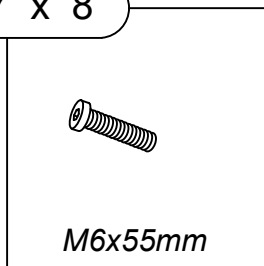
M8x55mm

6 x 4



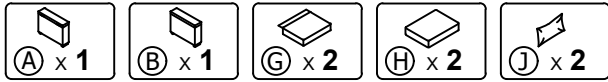
30x30mm

7 x 8

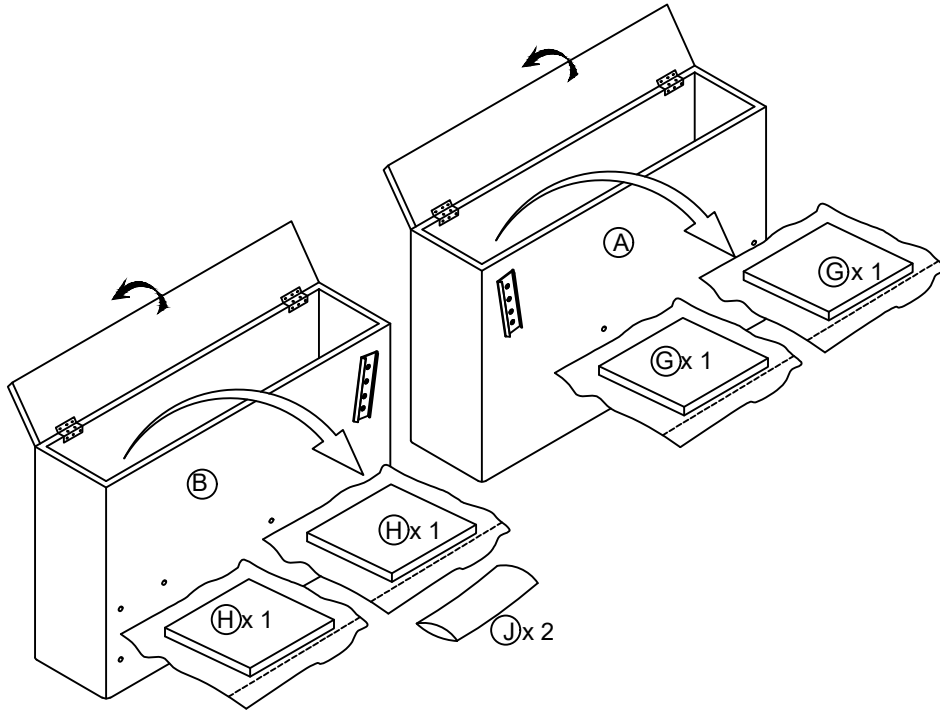


M6x55mm

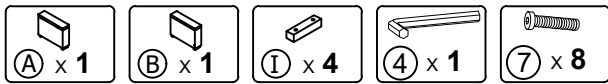
1



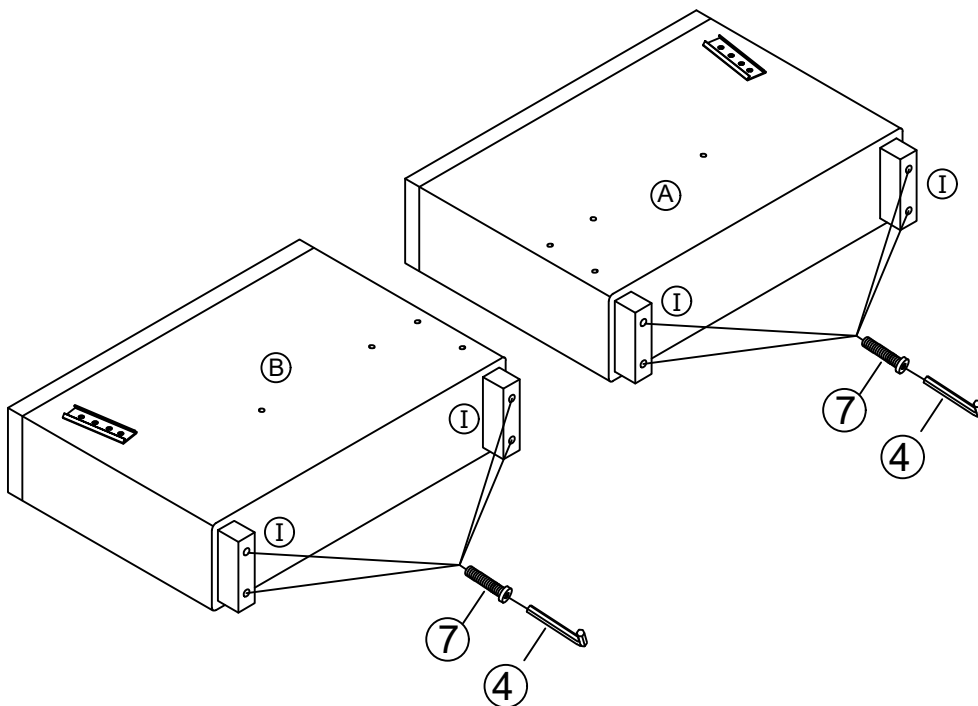
Open the covers of the armrests (A)(B), and remove the seat cushion (G) and back cushion (H) and Pillows (J).



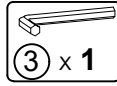
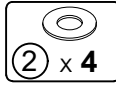
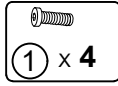
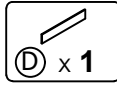
2



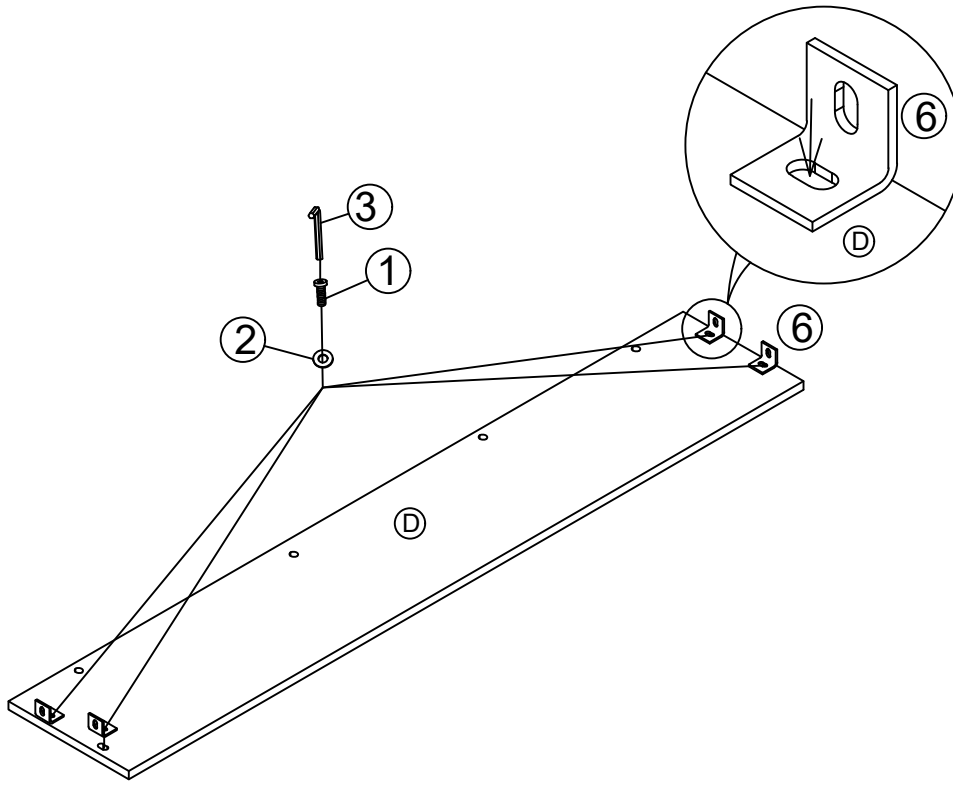
Lay flat the armrests (A)(B), then use (4) Allen key and (7) Screws to secure the leg (I) at the bottom of armrests.



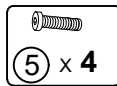
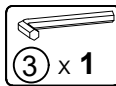
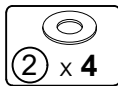
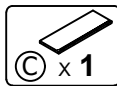
3



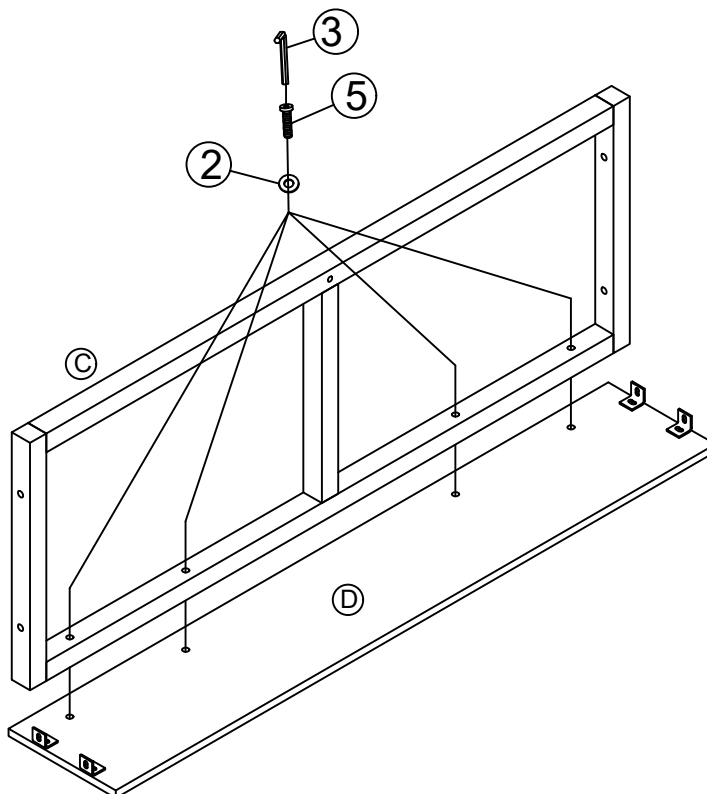
Lay flat the front panel (D), and use (3)Allen key(1)Screws(2)Non-slip mats to tighten (6)Angle iron on the side with the holes



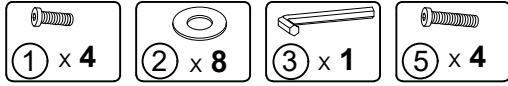
4



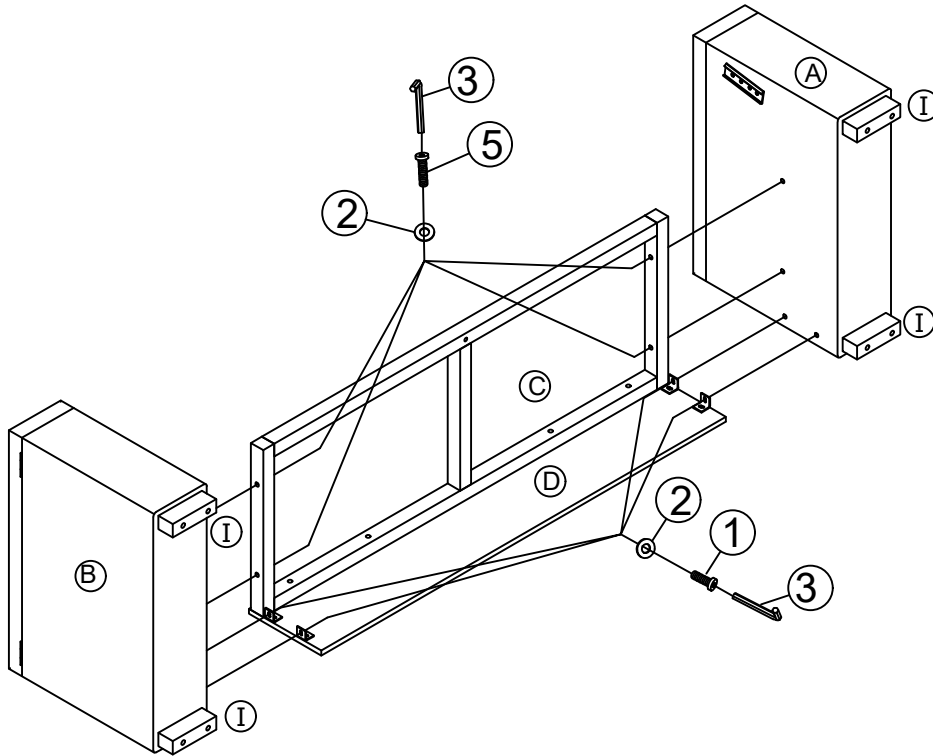
Use (3)Allen key(5)Screws(2)Non-slip mats to connect the Pedestal (C) with front panel(D),and tighten them.



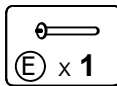
5



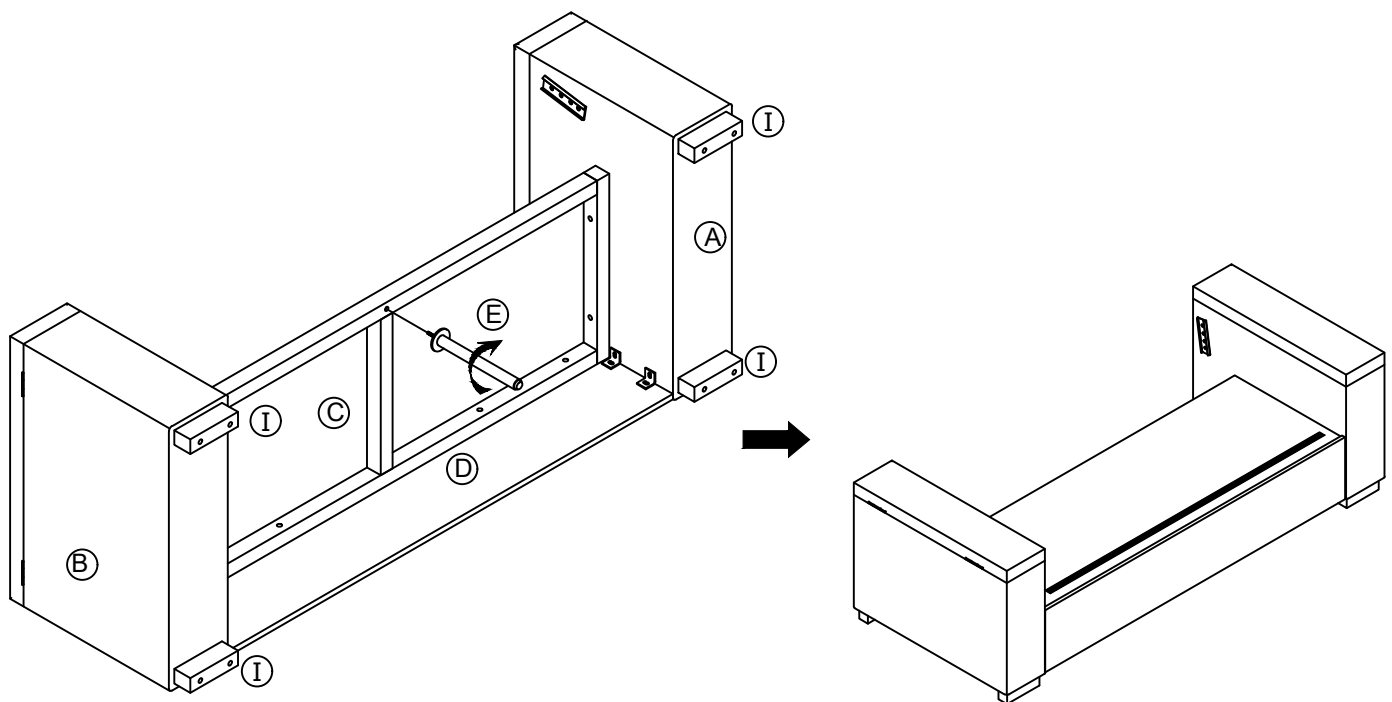
Use (3)Allen key(5,1)Screws(2)Non-slip mats to connect the armrests(A) (B) .
Note:Tighten the screws 75% until all the screws are put into the hole.



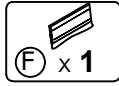
6



Tighten the metal leg (E) into the threaded holes at the bottom of the Pedestal (C).

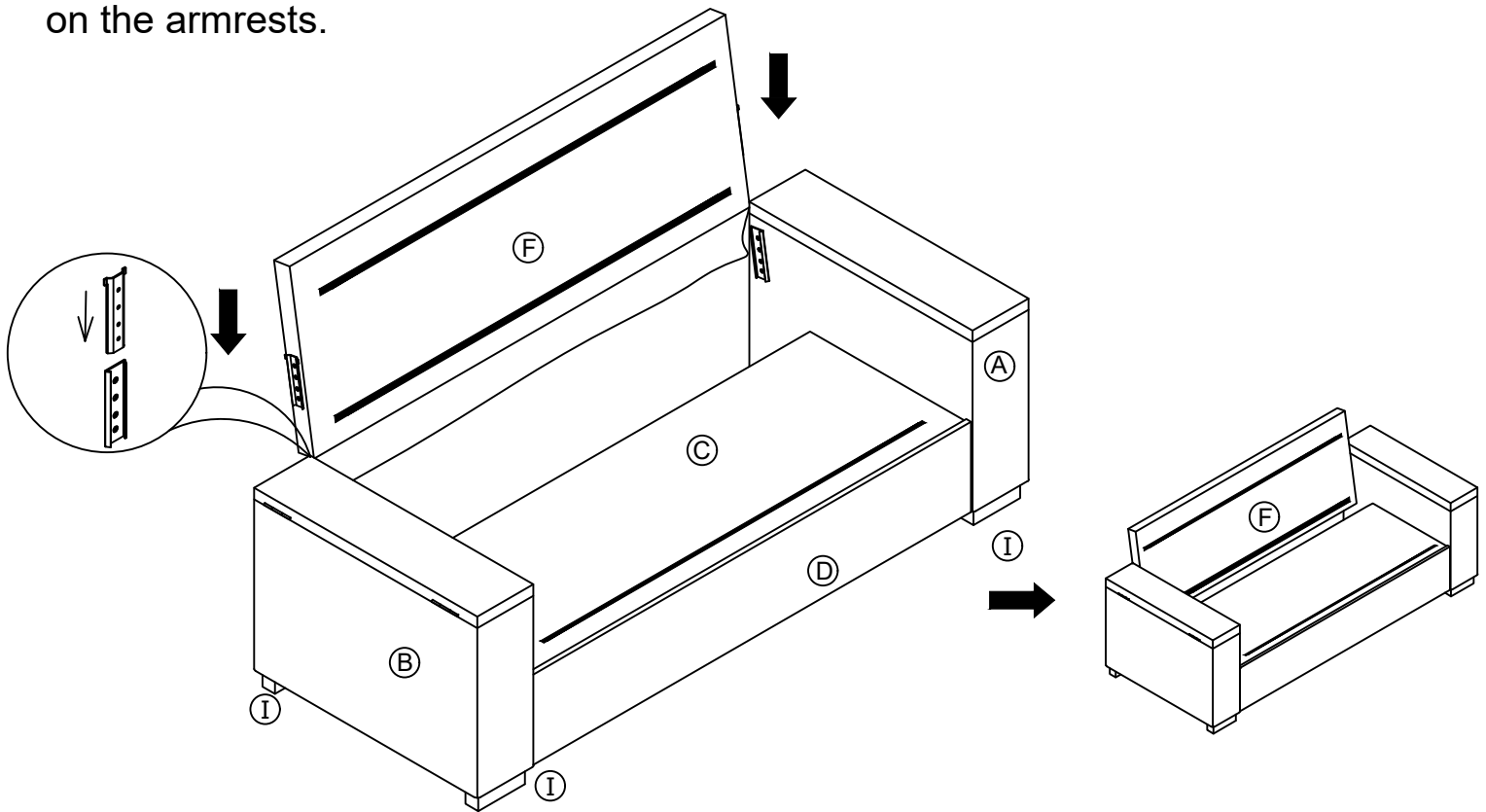


7

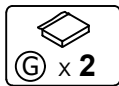


Install the back frame to the armrests (A)(B).

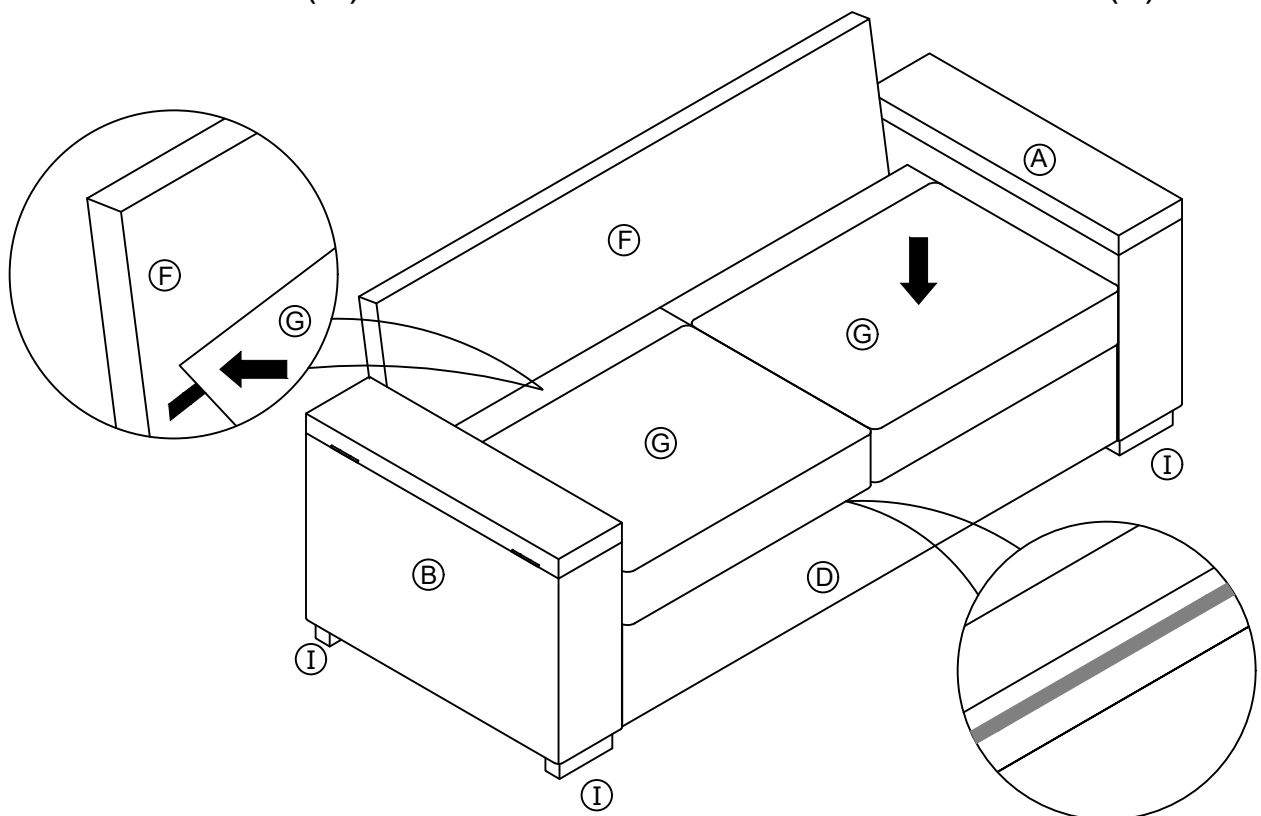
Note: Put the orbit on the back frame of the sofa on the interface of the connection on the armrests.



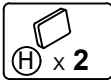
8



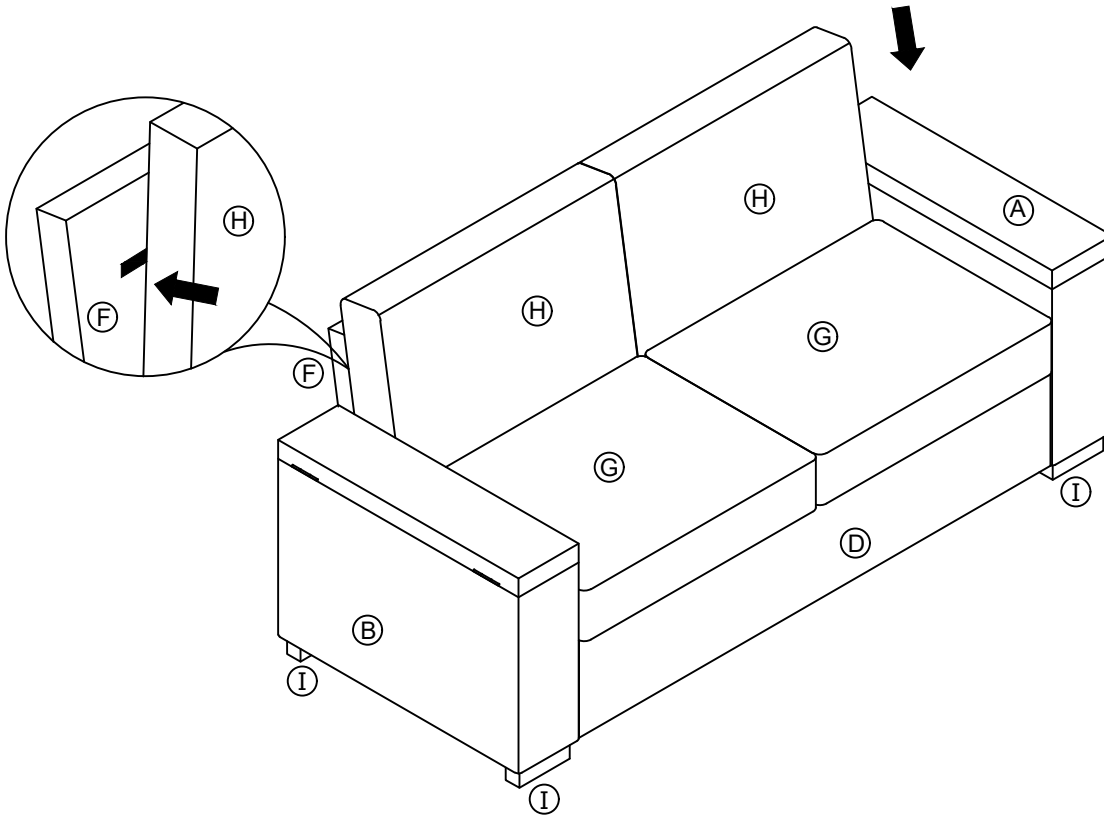
Put the cushion seat (G) on the Pedestal (C), then ensure the cover for the back of the cushion (G) is attached to the Velcro on the Backrest (F).



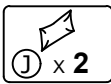
9



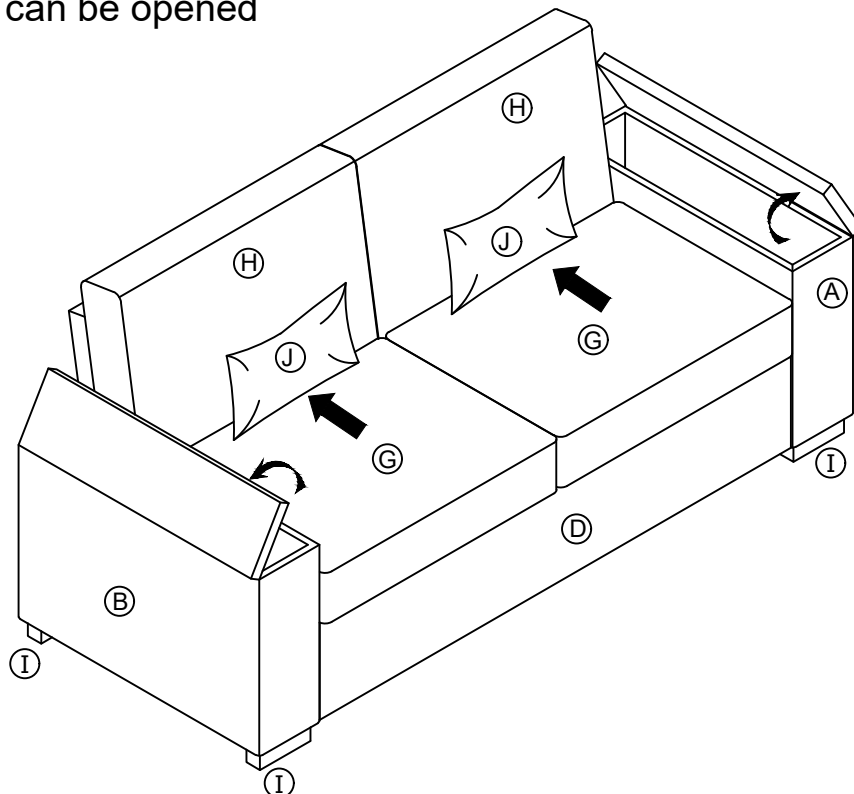
Put the Cushion(back) (H) on the Backrest(F), aligning with the Velcro.



10

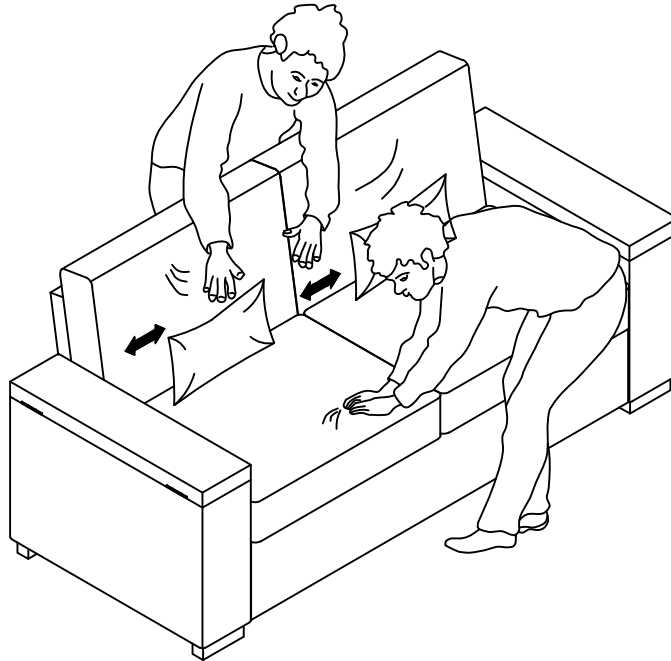


Place the pillows on the sofa and decoration your sofa. and the covers of armrests(A)(B) can be opened



11

Your sofa may require dressing on delivery.
Before using, please reshape the cushions to restore to its original beauty.
Note: Because of the compressed package, it will need take 48 hours to completely recovery



12

The sofa has been installed, and you can start enjoying your leisure time.

