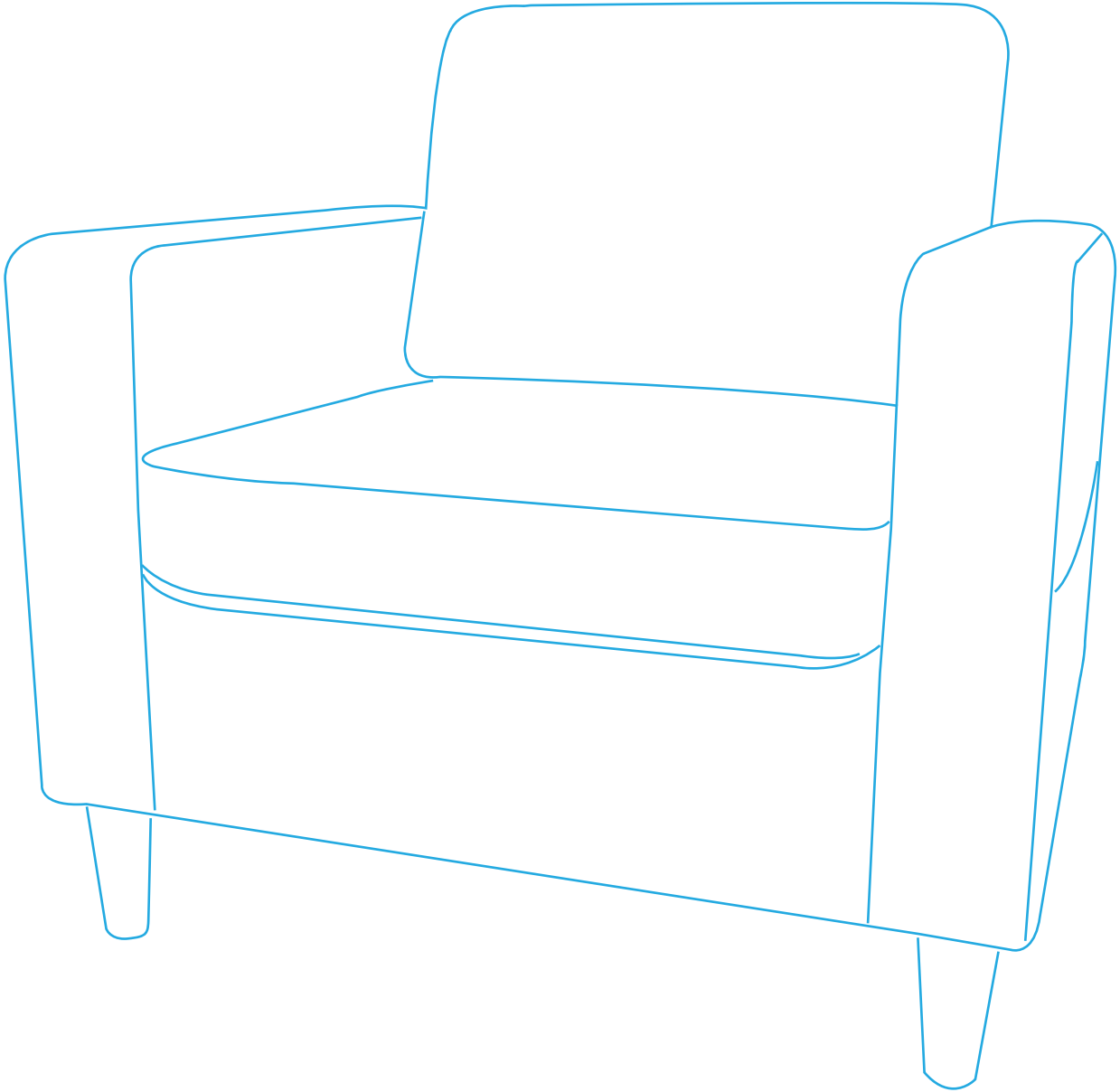
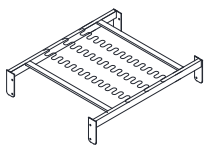


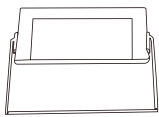
INSTALLATION GUIDE



ACCESSORIES



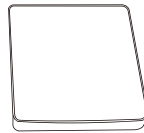
A | 1PC



B | 1PC



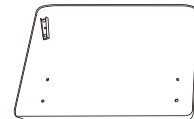
C | 1PC



D | 1PC



E | 1PC



F | 1PC



G | 1PC



H | 4PCS



I | 1PC



J | 8PCS



K | 3PCS



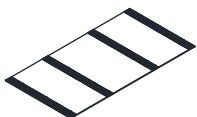
L | 4PCS



M | 4PCS

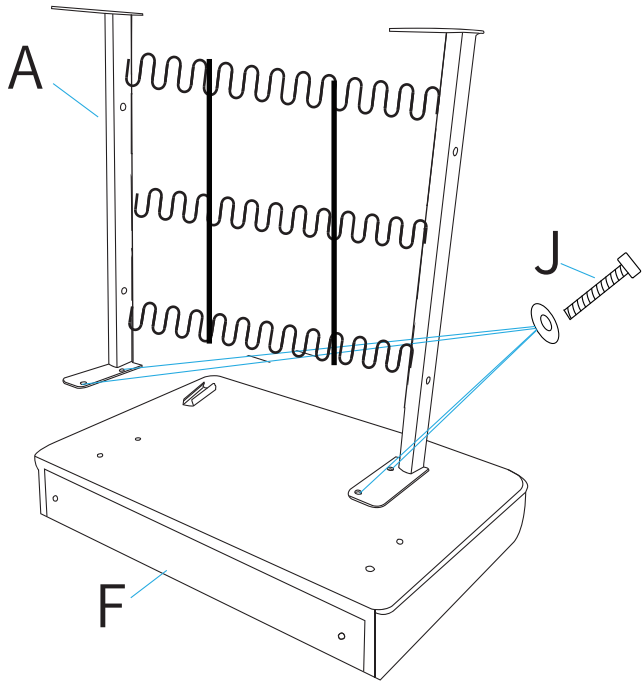


N | 8PCS

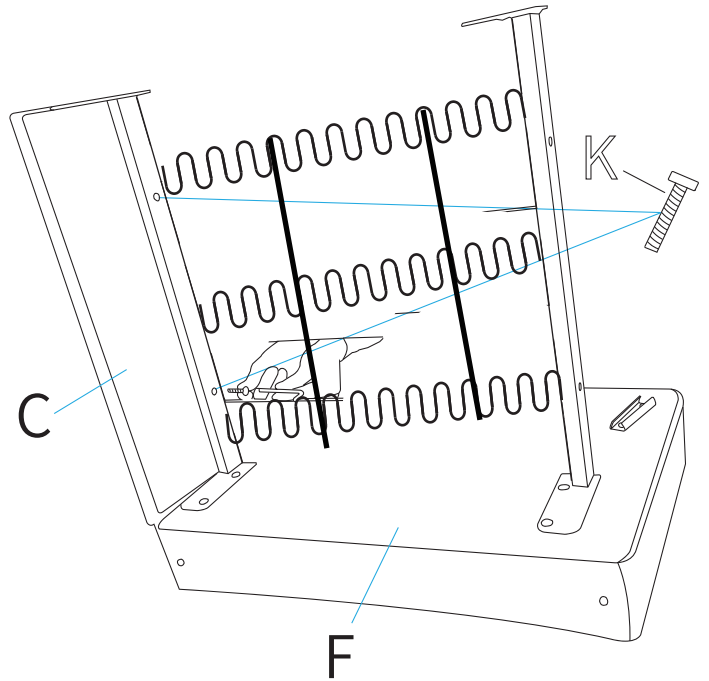


O | 1PCS

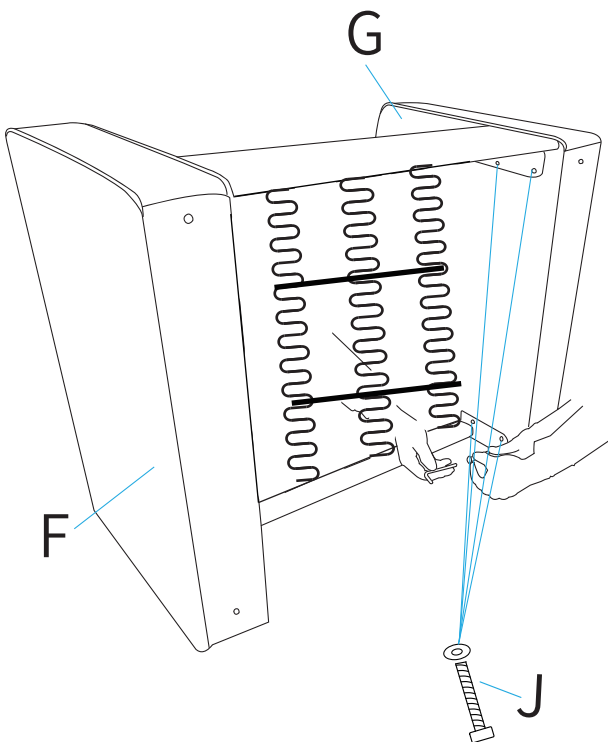
1



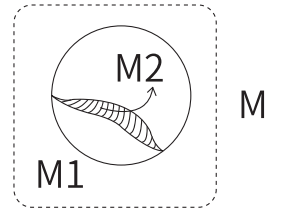
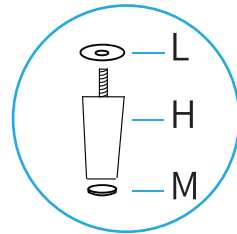
2



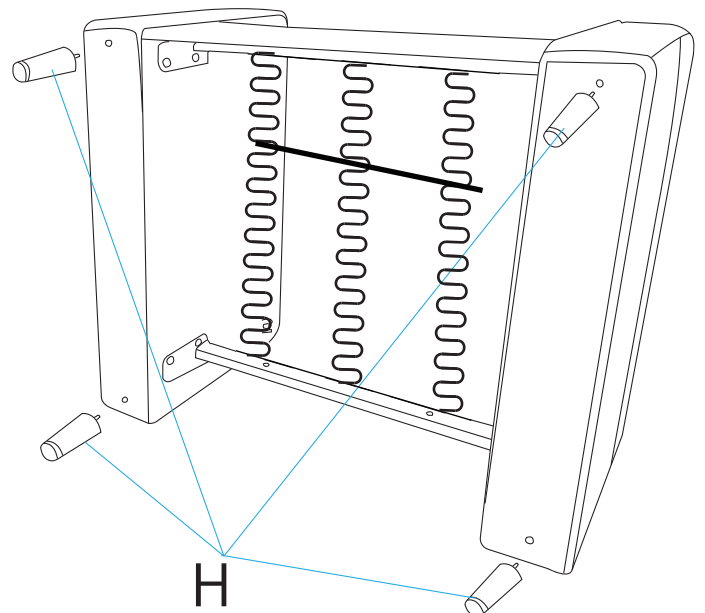
3



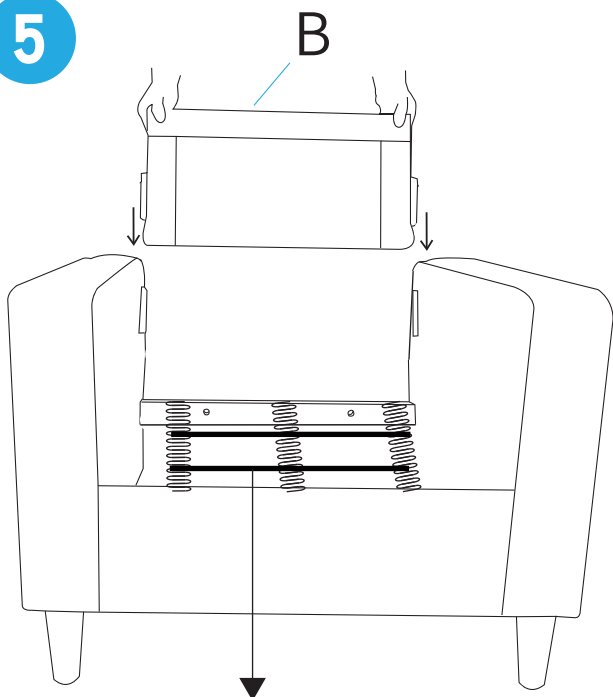
4



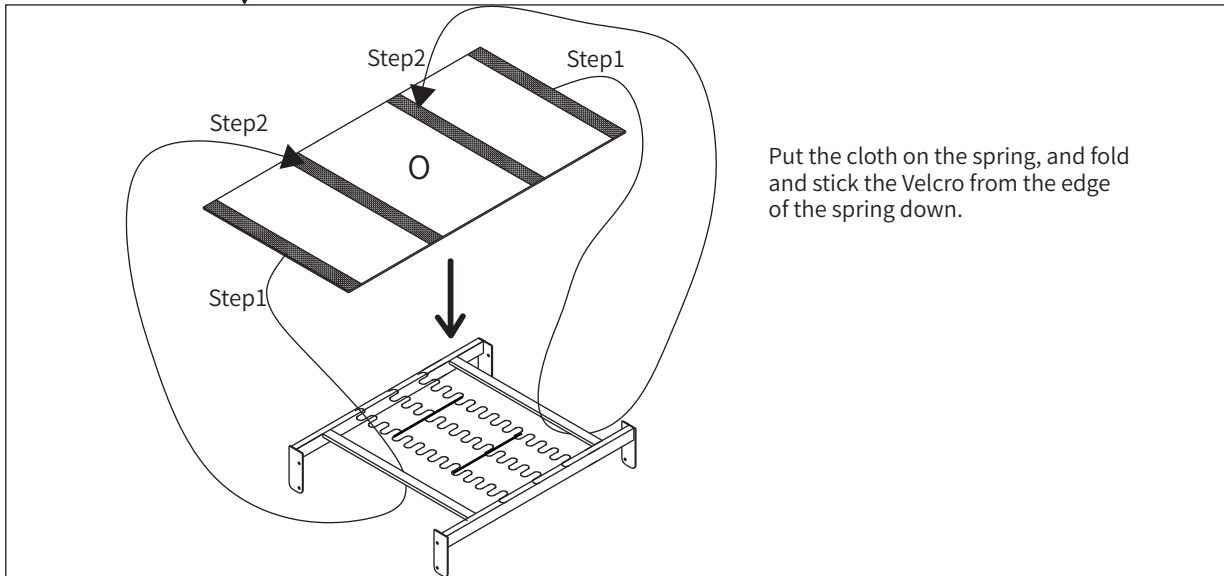
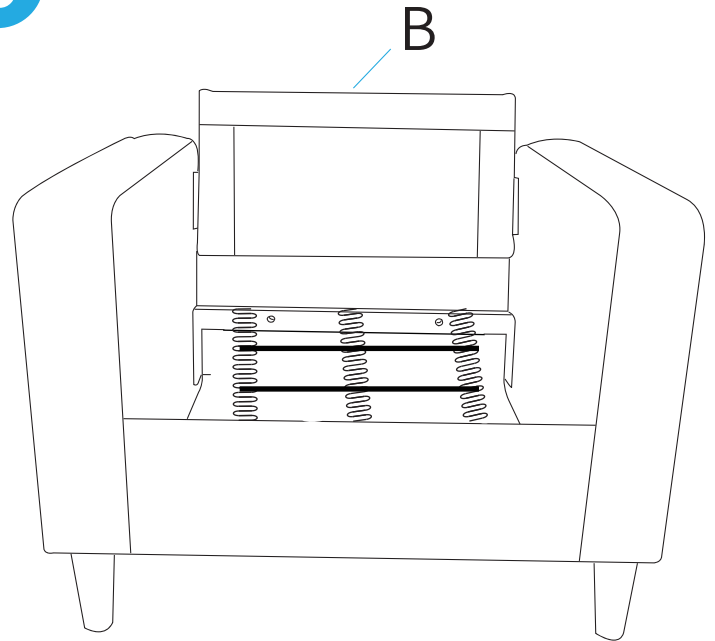
stick M1 on the H



5

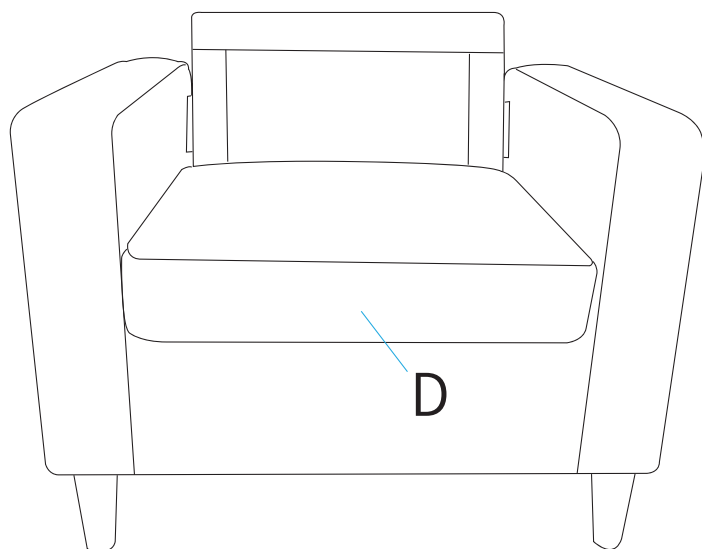


6



Put the cloth on the spring, and fold and stick the Velcro from the edge of the spring down.

7



8

