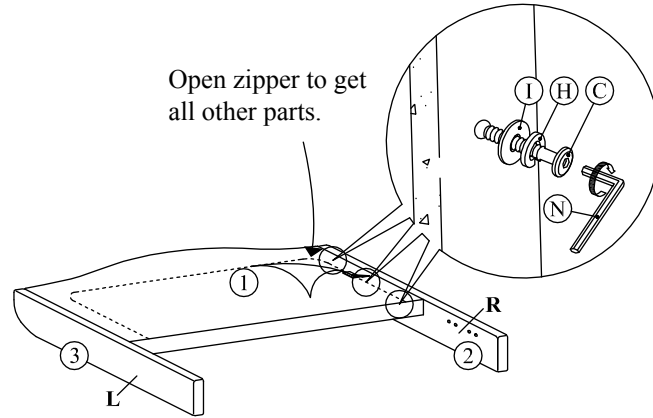


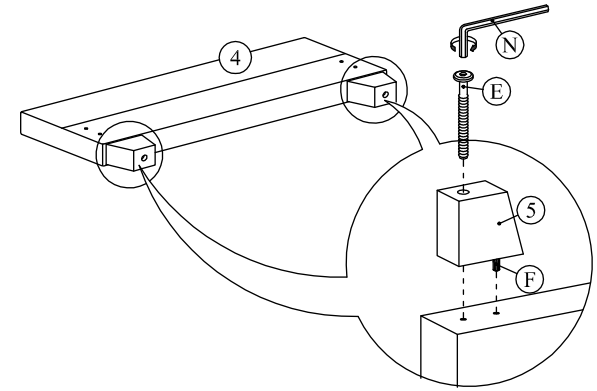
ASSEMBLY INSTRUCTION

NO	PARTLIST		QTY
1		HEADBOARD CUSHION	1PC
2		WING (R)	1PC
3		WING (L)	1PC
4		FOOTBOARD CUSHION	1PC
5		FOOTBOARD LEG	2PCS
6		SIDE RAIL (L/R)	2PCS
7		SIDE RAIL (L/R)	2PCS
8		SIDE RAIL SUPPORT LEG	2PCS
9		SLAT	4PCS
10		SUPPORT LEGS	4PCS
ITEM	HARDWARE		QTY
A		JCBB SCREW M8 x 20MM	4PCS
B		JCBC SCREW M6 x 25MM	8PCS
C		JCBC SCREW M6 x 35MM	10PCS
D		JCBC SCREW M8 x 50MM	4PCS
E		JCBC SCREW M6 x 70MM	2PCS
F		WOOD DOWEL M8 x 30MM	2PCS
G		WOOD DOWEL M10 x 30MM	4PCS
H		SPRING WAHSER M6 x 13MM	14PCS
I		FLAT WAHSER M6 x 19MM	14PCS
J		SPRING WAHSER M8 x 14MM	4PCS
K		FLAT WAHSER M8 x 22MM	4PCS
L		SCREW M4 x 32MM	8PCS
M		L - KEY M5 x 65MM	1PC
N		L - KEY M4 x 100MM	1PC
O		SUPPORT LEG ADJUSTABLE FEET	4PCS

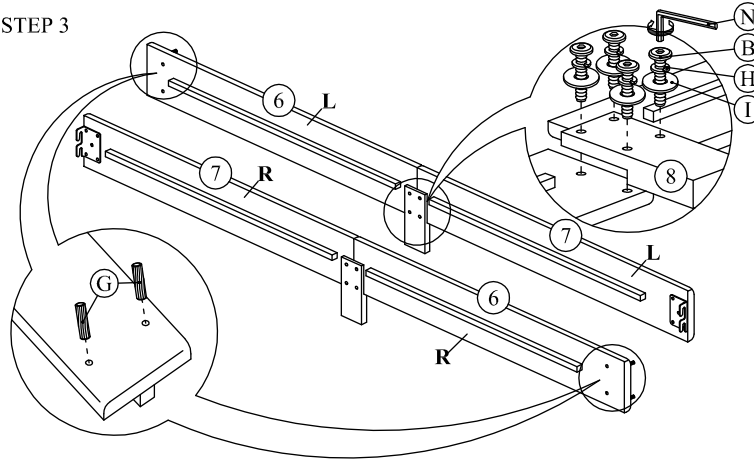
STEP 1



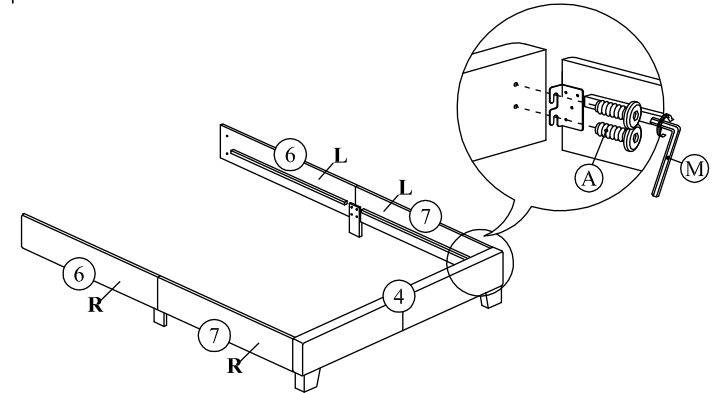
STEP 2



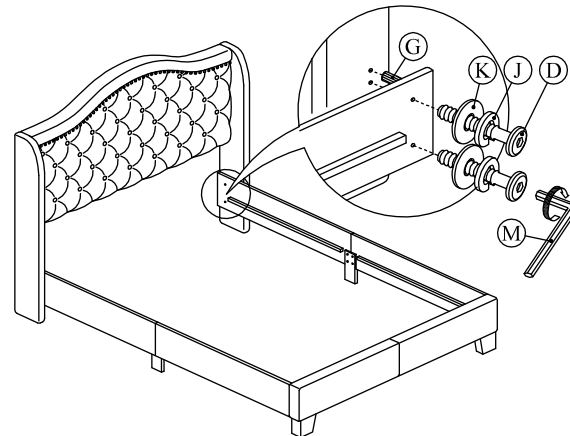
STEP 3



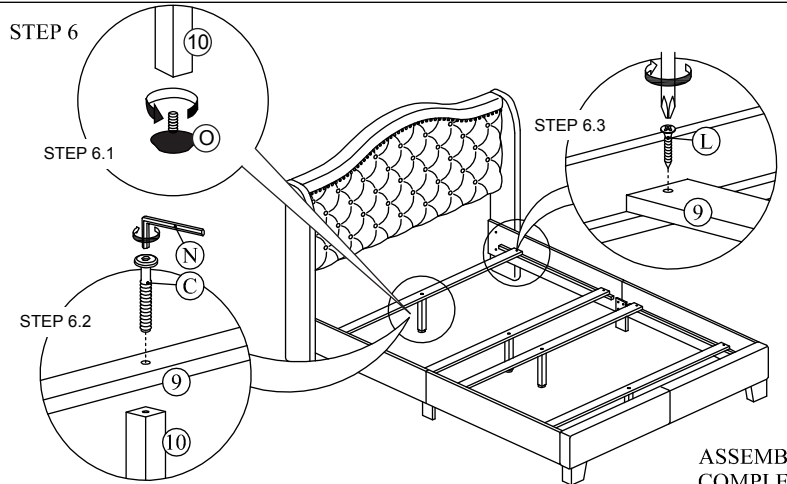
STEP 4



STEP 5



STEP 6



ASSEMBLY COMPLETE