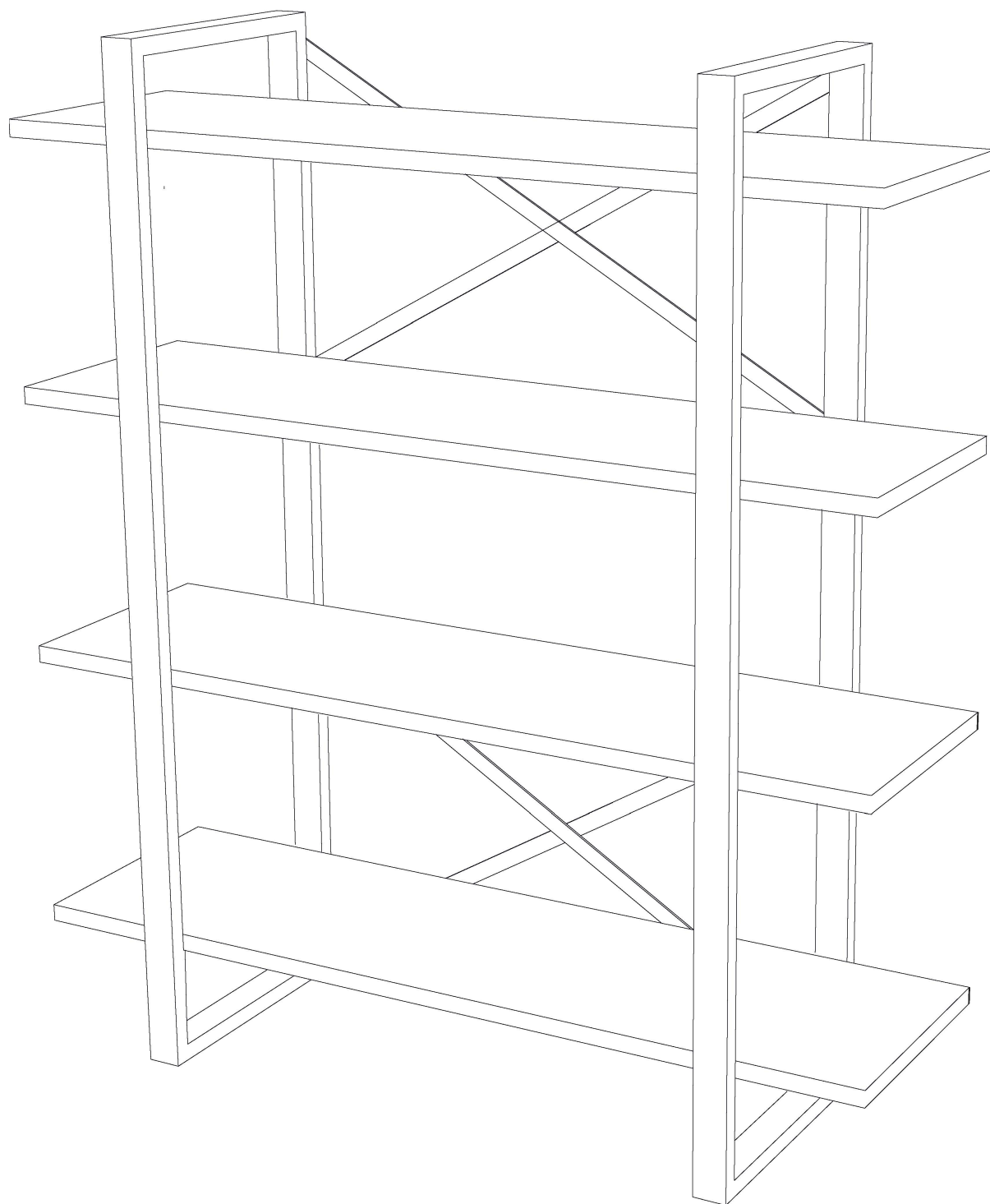
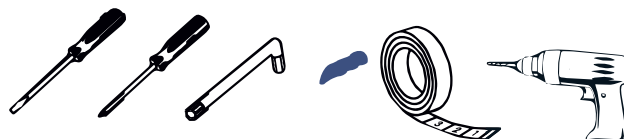


ASSEMBLYMANUEL



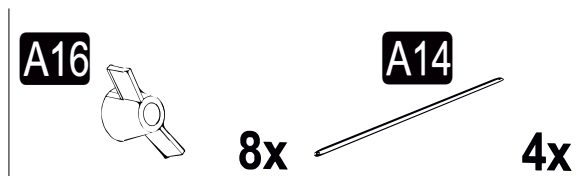


This unit should be assembled by two persons.

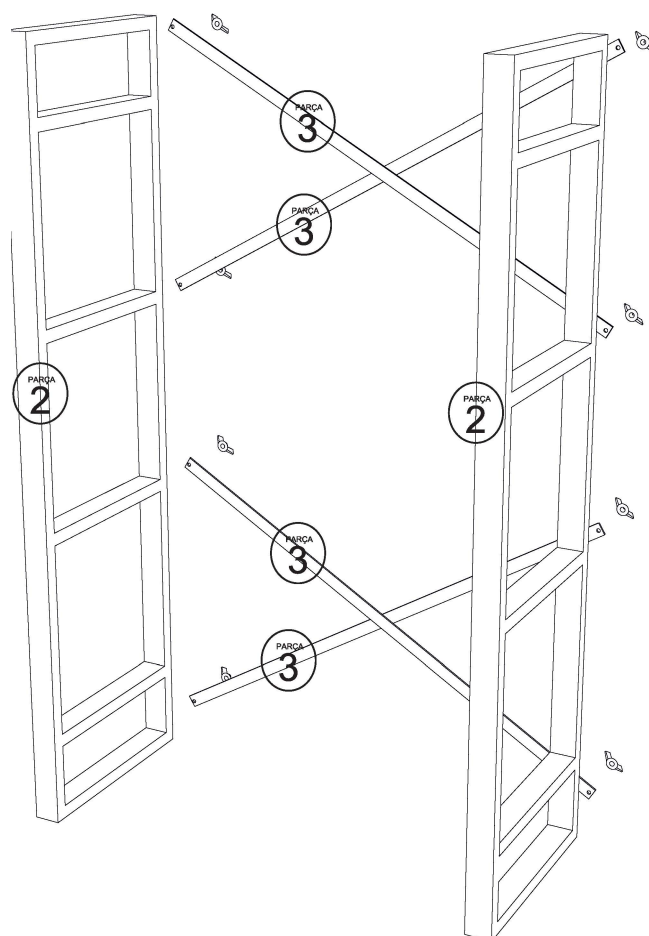
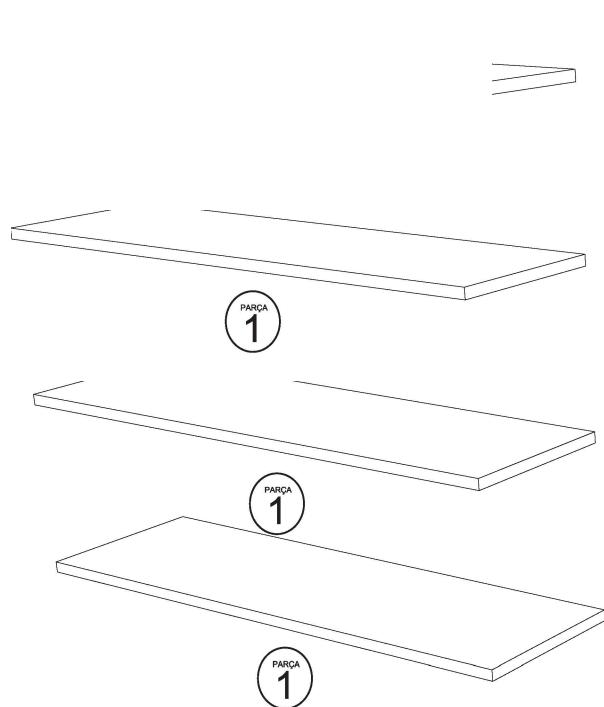


The necessary tools (not included)

ACCESSORY LIST



GENERAL VIEW



ASSEMBLY MANUAL

