

No matter what problems or questions you encounter during the installation or use of the chandelier, please feel free to contact us, we will reply you within 24 hours and quickly solve or answer for you!

When you leave message to us online, please leave your order ID and case details, The more detailed and accurate your description, the faster and more accurate we will provide you with solutions or answers!



SAFETY INSTRUCTIONS

These instructions are provided for your safety. It is very important that they are read completely before beginning the installation of your fixture.

1. WE RECOMMEND INSTALLATION BY A LICENSED ELECTRICIAN.
2. This fixture require E26 bulbs(not included in product), bulb rated wattage Max 25W,low wattage LED bulbs are recommended. To avoid risk of fire, do not exceed the recommended wattage.
3. If any special control devices are used with this fixture, follow the instructions carefully to assure full compliance with N.E.C. requirements. If there are any questions, contact a qualified electrical contractor.
4. Please make sure shut off the main electrical supply before installation, changing bulbs or cleaning light fixture.



WARNINGS

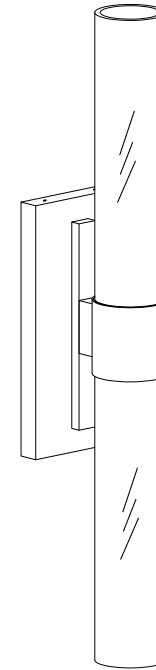
THIS IS NOT A TOY AND THE PRODUCT HAS NO PLAY VALUE.
Keep at least 3 ft away from cribs, bassinets, and toddler beds.
Keep out of reach of children under 3.



PREPARATION

- 1.Please prepare the E26 bulb that will be given to you in advance
2. Please keep the installation site clean and tidy to avoid missing small accessories.

INSTALLATION MANUAL







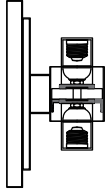


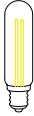
This manual only shows the installation steps for one size, and the installation methods for other sizes of products are similar.

Now, let's complete this light together.

Be patient.....

and fully utilize your artistic talentt.....

What awaits you after completion is incredible beauty!

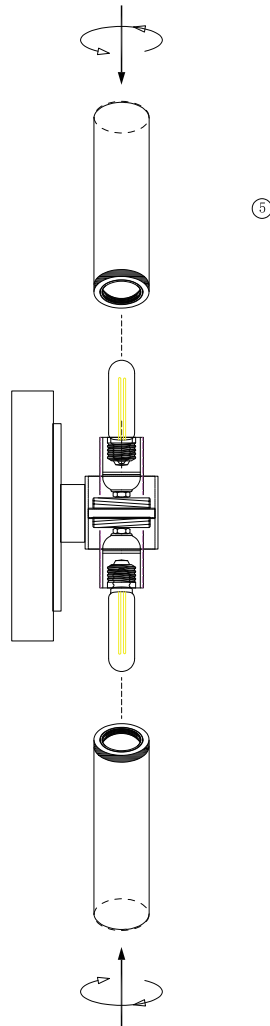
<p>A*4</p> 	<p>B*1</p> 	<p>C*4</p> 	<p>D*3</p> 
<p>E*1</p> 	<p>F*2</p> 	<p>G*2</p> 	<p>H*2</p> 
<p>I*2</p>	<p>J*2</p>	<p>K*0</p>	<p>L*0</p>
<p>M*0</p>	<p>N*0</p>	<p>O*0</p>	<p>P*0</p>
<p>Q*0</p>	<p>R*0</p>	<p>S*0</p>	<p>T*0</p>

Please note:

Please check the parts list, if the parts are missing during your actual installation, please contact us, we will help you in time!

STEP IV Hanging Pendants

Step 4



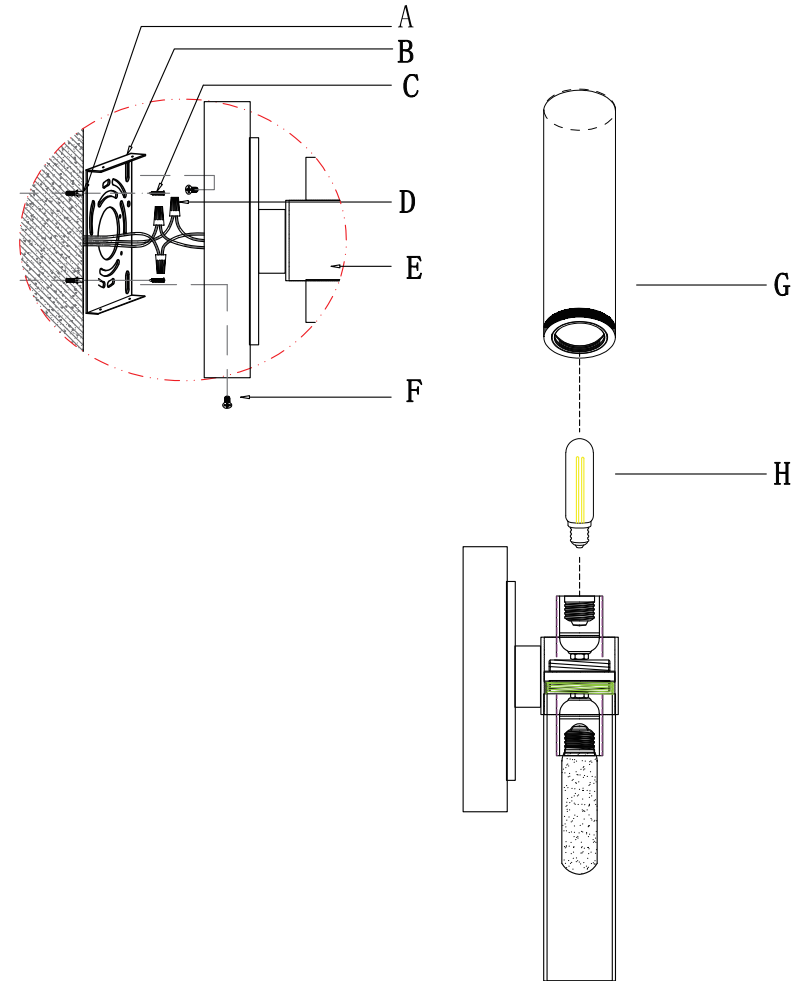
FAQ

Q: What do I need to keep in mind when installing a glass lampshade?

A: Due to the fragile nature of glass products, so we just need to place the glass lampshade with hardware ring a section of the lamp body with matching gently knob.

STEP I Unpacking

Open the box, and take out all the accessories, you will get the following items.

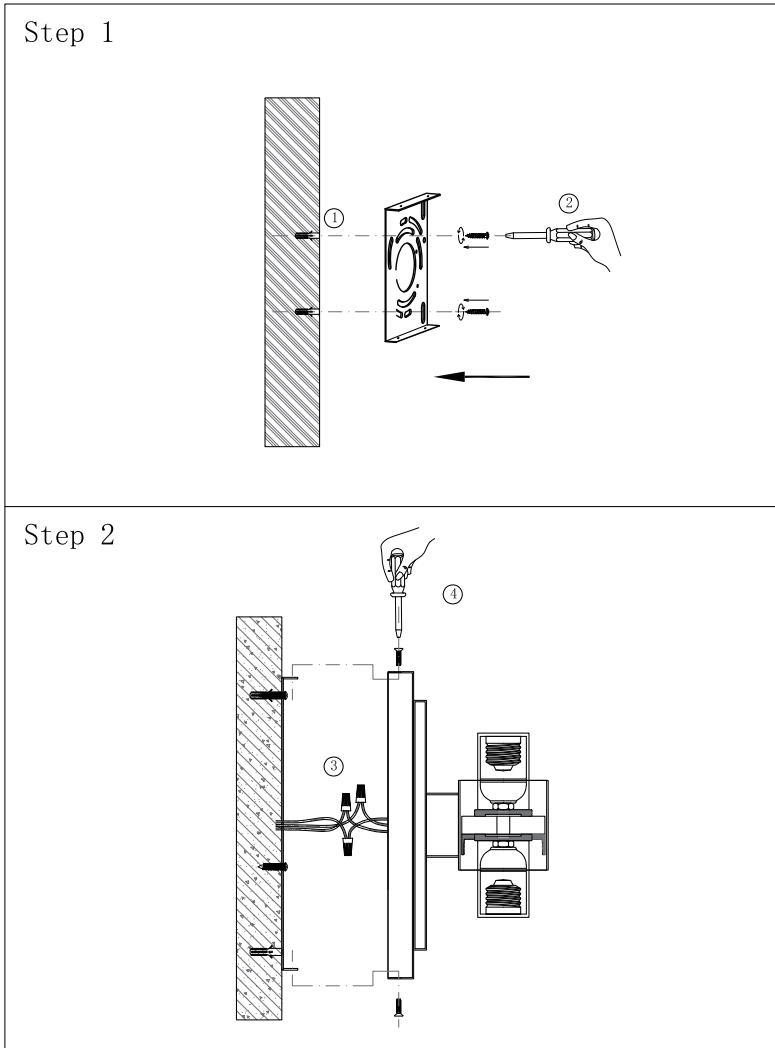


FAQ

Q: When I open the box, I find that the glass fittings are broken, what should I do?

A: As glass lampshade fittings are handmade and inherently fragile, we have taken this situation into consideration. We have prepared spare glass fittings in each box, which is sufficient for your needs installation. If there are more broken glass fittings, please contact us in time, we will send new glass fittings to you.

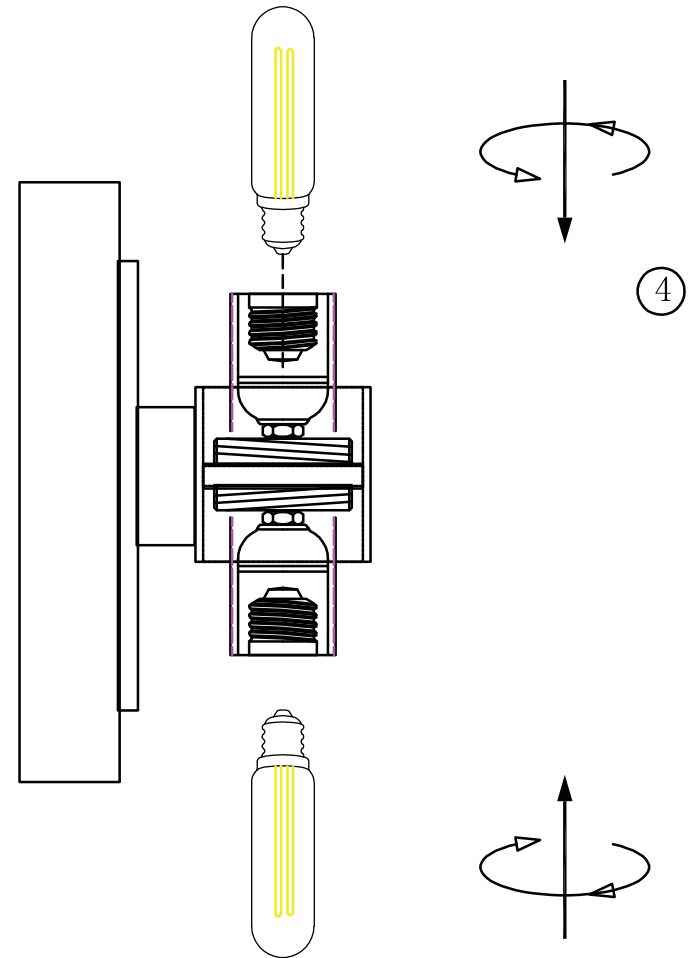
STEP II Branch Adjustment



FAQ

Q: How do I differentiate between N/L wiring and a ground wire?
 A: We have already distinguished between the N/L markings on the wires and the brass wire on the mounting bracket is the ground wire.

STEP III Wiring and Mounting



FAQ

Q: What if the bulb is not vertical when installed?
 A: We can loosen the bulb to fine-tune the angle. Ensure that the light source, when locked, is vertical! so that the locking angle touching the inner wall of the lampshade!