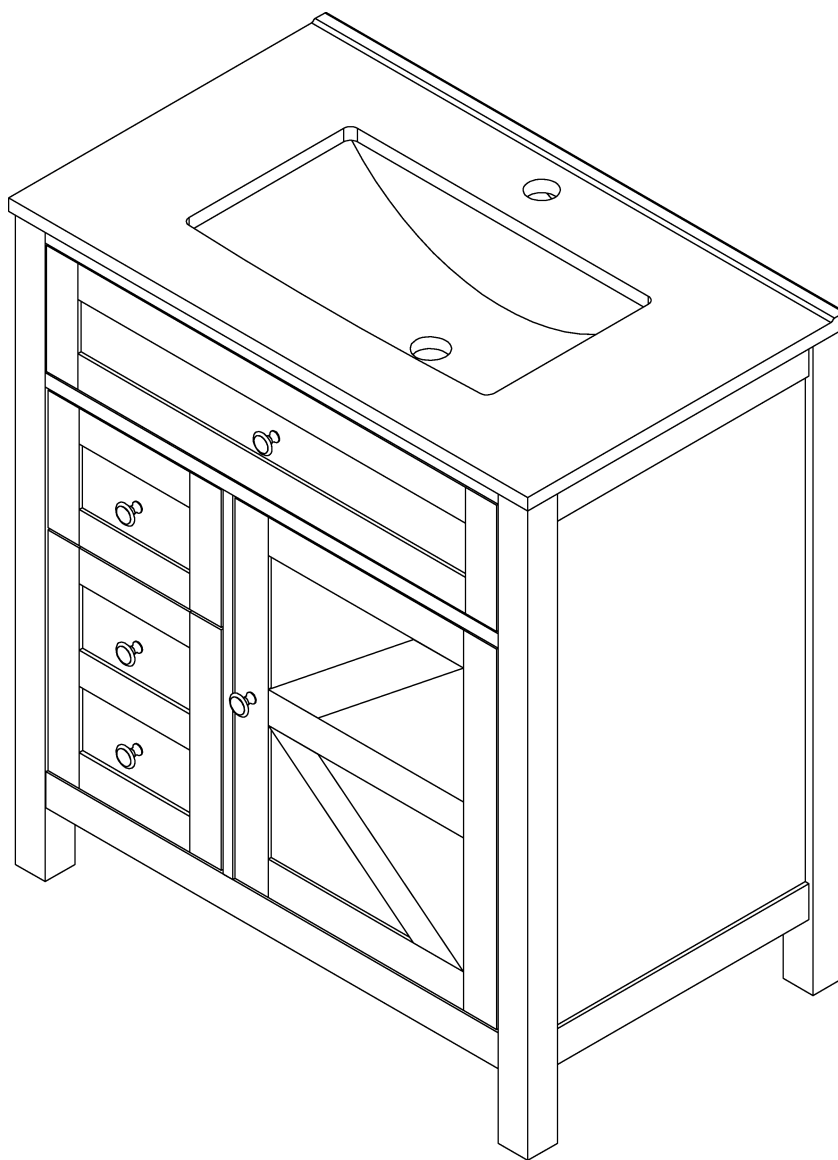
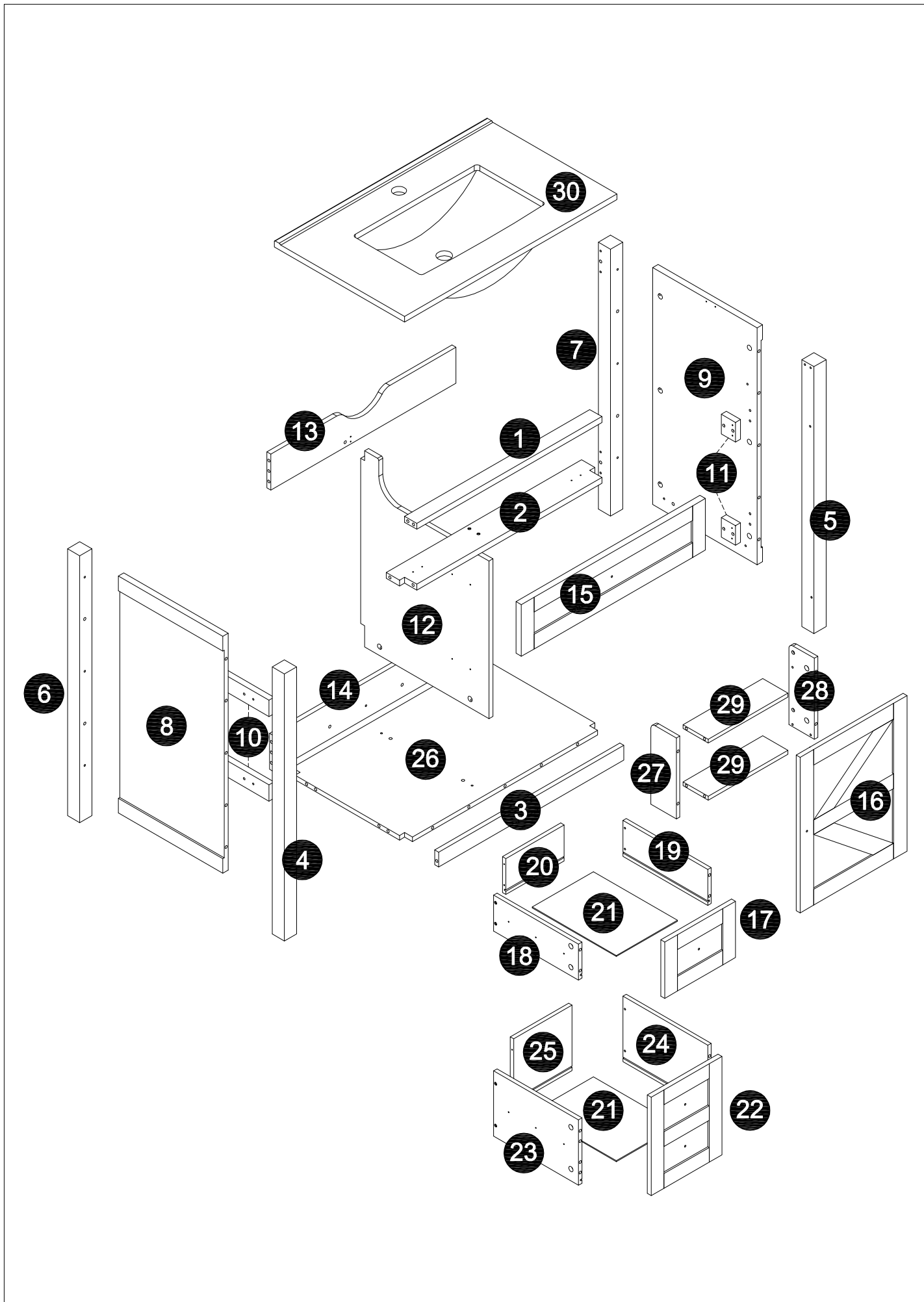
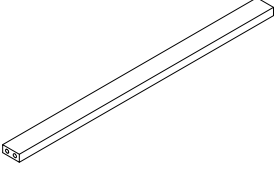
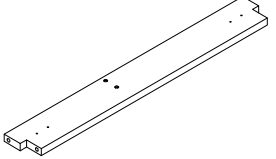
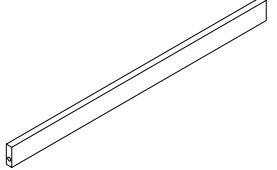




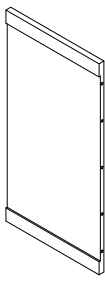
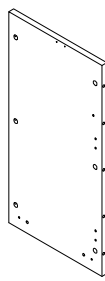
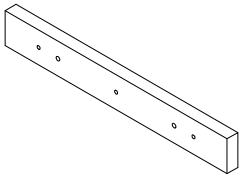
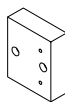
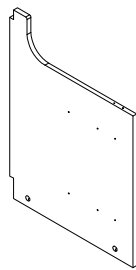
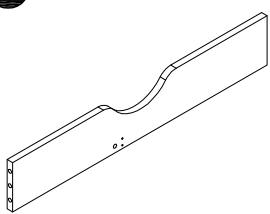
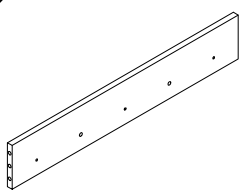
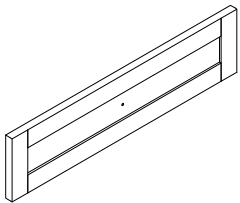
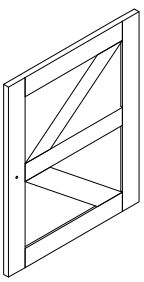
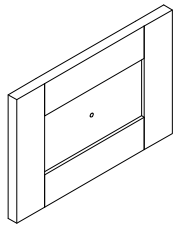
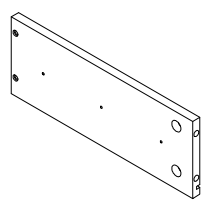
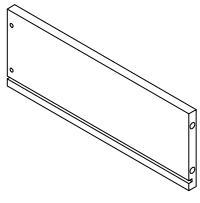
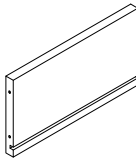
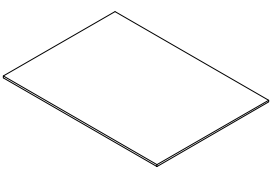
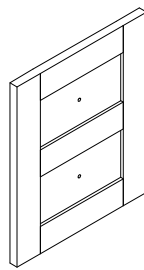
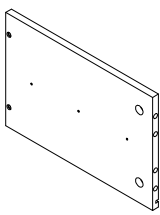
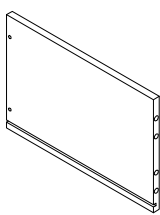


Installation & Assembly

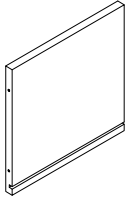
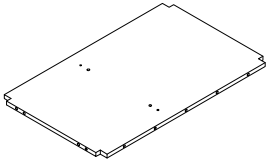

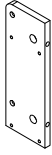
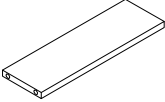
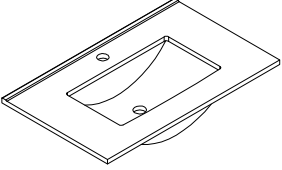




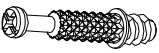

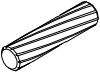

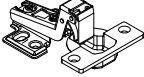
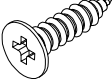



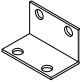

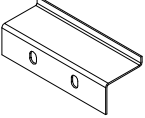
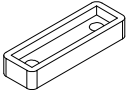


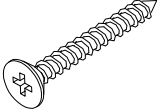
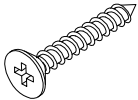

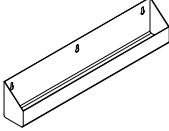
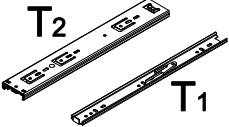
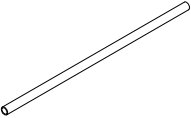
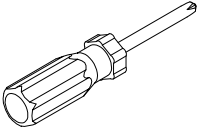
PARTS:

<p>1</p>  <p>1PC</p>	<p>2</p>  <p>1PC</p>	<p>3</p>  <p>1PC</p>	<p>4</p>  <p>1PC</p>
<p>5</p>  <p>1PC</p>	<p>6</p>  <p>1PC</p>	<p>7</p>  <p>1PC</p>	<p>8</p>  <p>1PC</p>
<p>9</p>  <p>1PC</p>	<p>10</p>  <p>2PCS</p>	<p>11</p>  <p>2PCS</p>	<p>12</p>  <p>1PC</p>
<p>13</p>  <p>1PC</p>	<p>14</p>  <p>1PC</p>	<p>15</p>  <p>1PC</p>	<p>16</p>  <p>1PC</p>
<p>17</p>  <p>1PC</p>	<p>18</p>  <p>1PC</p>	<p>19</p>  <p>1PC</p>	<p>20</p>  <p>1PC</p>
<p>21</p>  <p>2PCS</p>	<p>22</p>  <p>1PC</p>	<p>23</p>  <p>1PC</p>	<p>24</p>  <p>1PC</p>

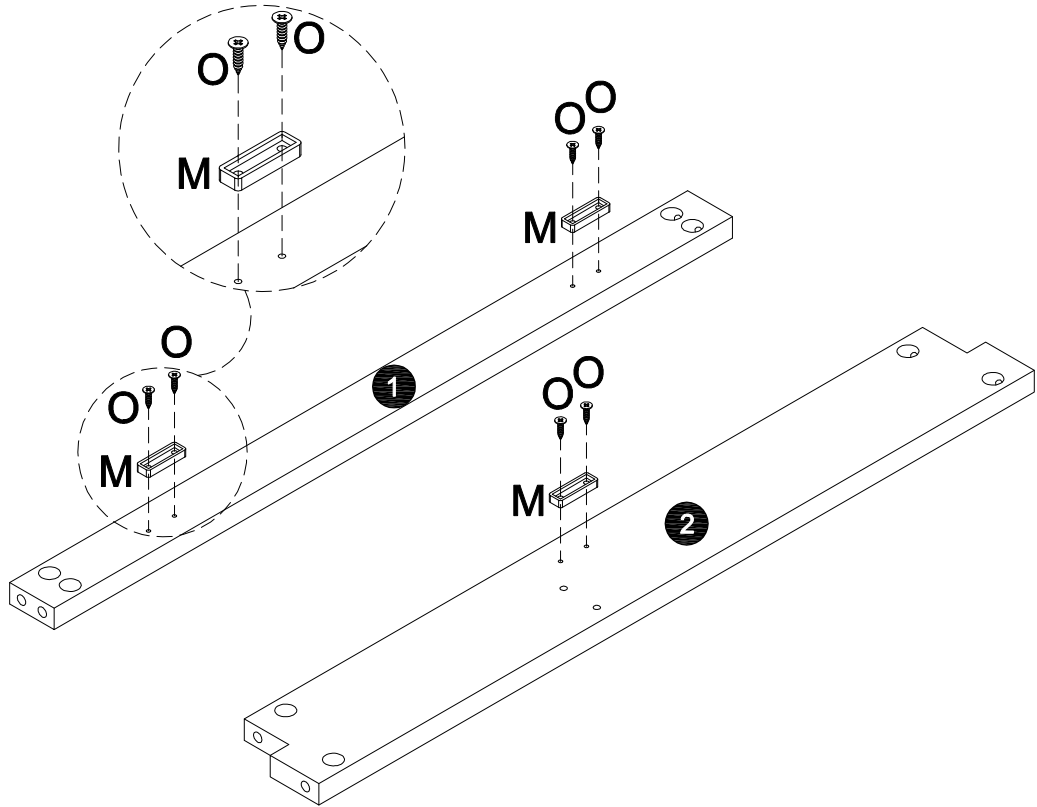
PARTS:

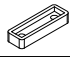
<p>25</p>  <p>1PC</p>	<p>26</p>  <p>1PC</p>	<p>27</p>  <p>1PC</p>	<p>28</p>  <p>1PC</p>
<p>29</p>  <p>2PCS</p>	<p>30</p>  <p>1PC</p>		


PARTS:

<p>A X62+2</p>  <p>Ø6x34mm</p>	<p>B X62+2</p>  <p>Ø15x9.5mm</p>	<p>C X27+1</p>  <p>Ø8x30mm</p>	<p>D X8</p>  <p>Ø6x25mm</p>
<p>E X4</p>  <p>Ø35mm</p>	<p>F X24+1</p>  <p>Ø8x15mm</p>	<p>G X5</p>  <p>Ø27*21mm</p>	<p>H X2</p>  <p>Ø5/32"x19mm</p>
<p>I X3</p>  <p>Ø5/32"x10mm</p>	<p>J X1</p>  <p>25*15*15*1mm</p>	<p>K X1</p>  <p>K_L</p>	<p>L X2</p> 
<p>M X3</p> 	<p>N X11</p>  <p>Ø4x12mm</p>	<p>O X34+2</p>  <p>Ø6.5x12mm</p>	<p>P X10</p>  <p>Ø8*35mm</p>
<p>Q X10</p>  <p>Ø8*25mm</p>	<p>R X4</p>  <p>1/4"X10mm</p>	<p>S X1</p> 	<p>T X4</p>  <p>12"X45mm</p>
<p>U x2</p>  <p>Ø10x290mm</p>	<p>V x1</p> 		

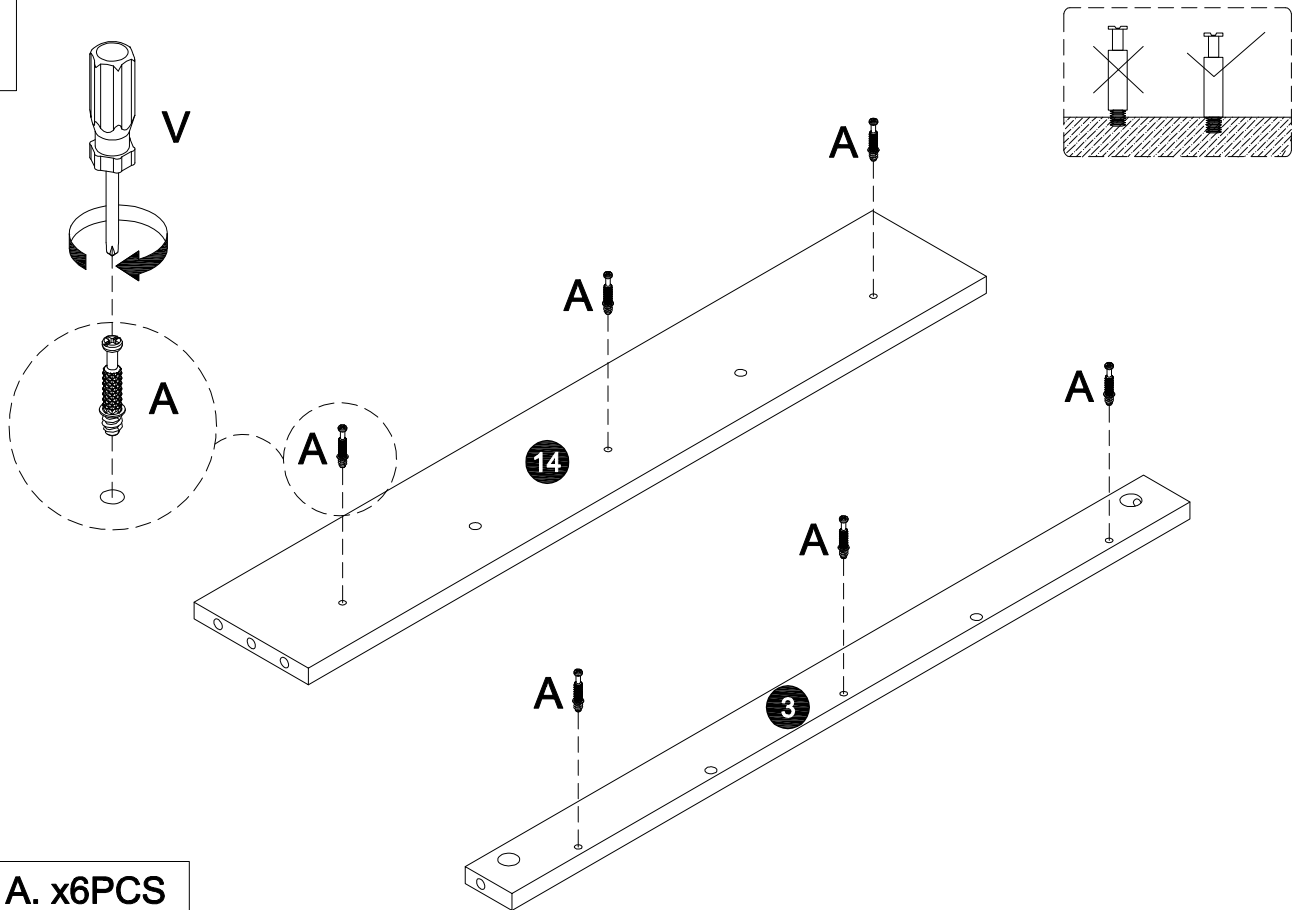
1




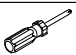
 M. x3PCS

 O. x6PCS

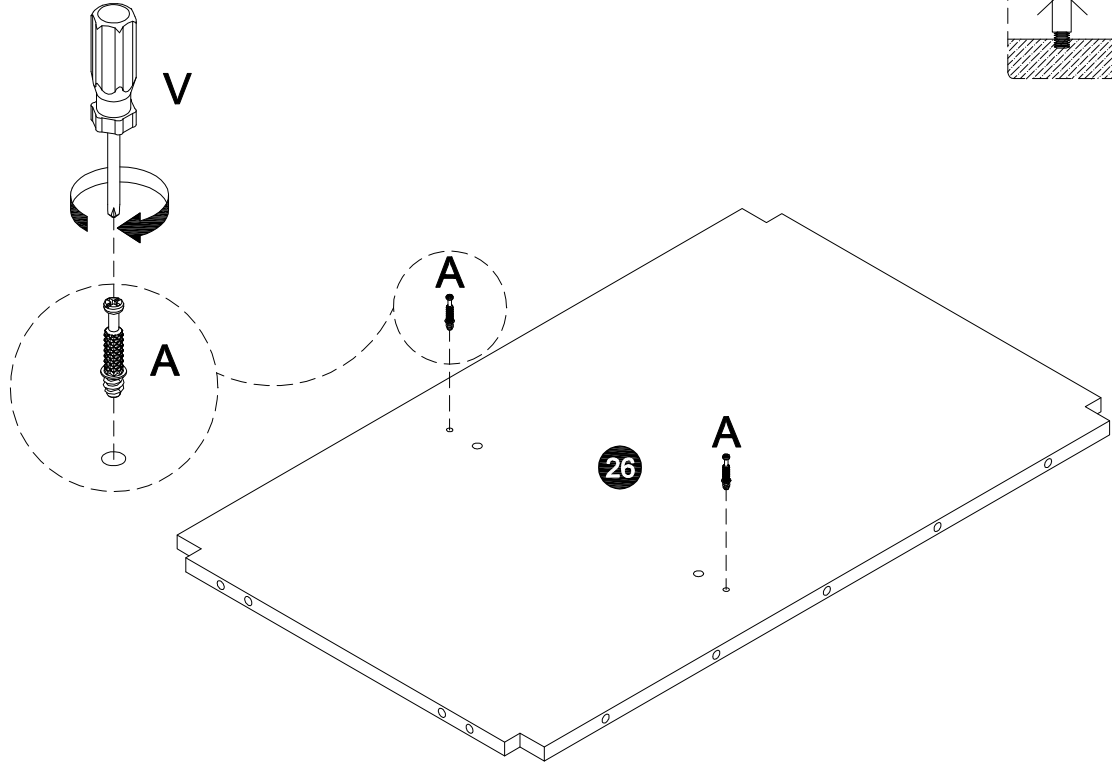
2





 A. x6PCS

 V. x1PC

3



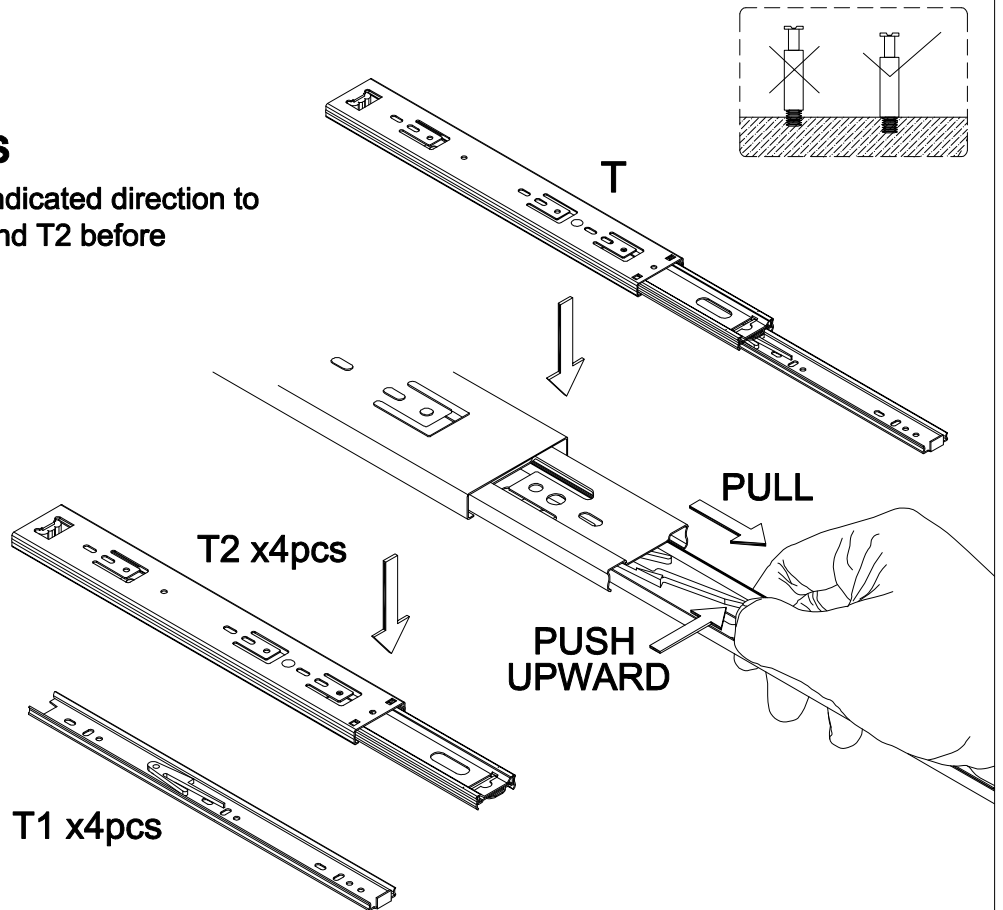
-  A. x2PCS
-  V. x1PC


4

INSTALLATION STEPS

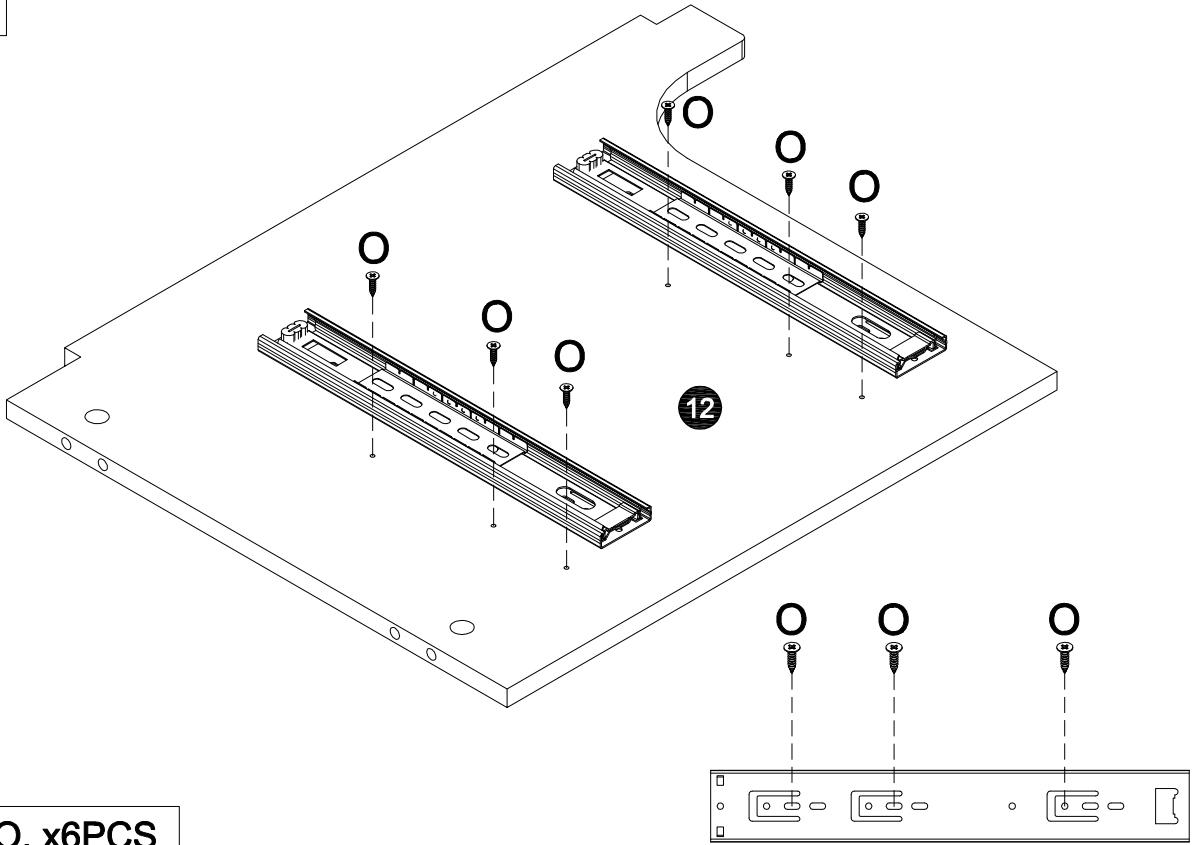
Press the plastic part in the indicated direction to separate drawer runner T1 and T2 before assembling.

REMARK:
Please grip the T1 part while sliding the T2 part




-  T. x4PCS


5



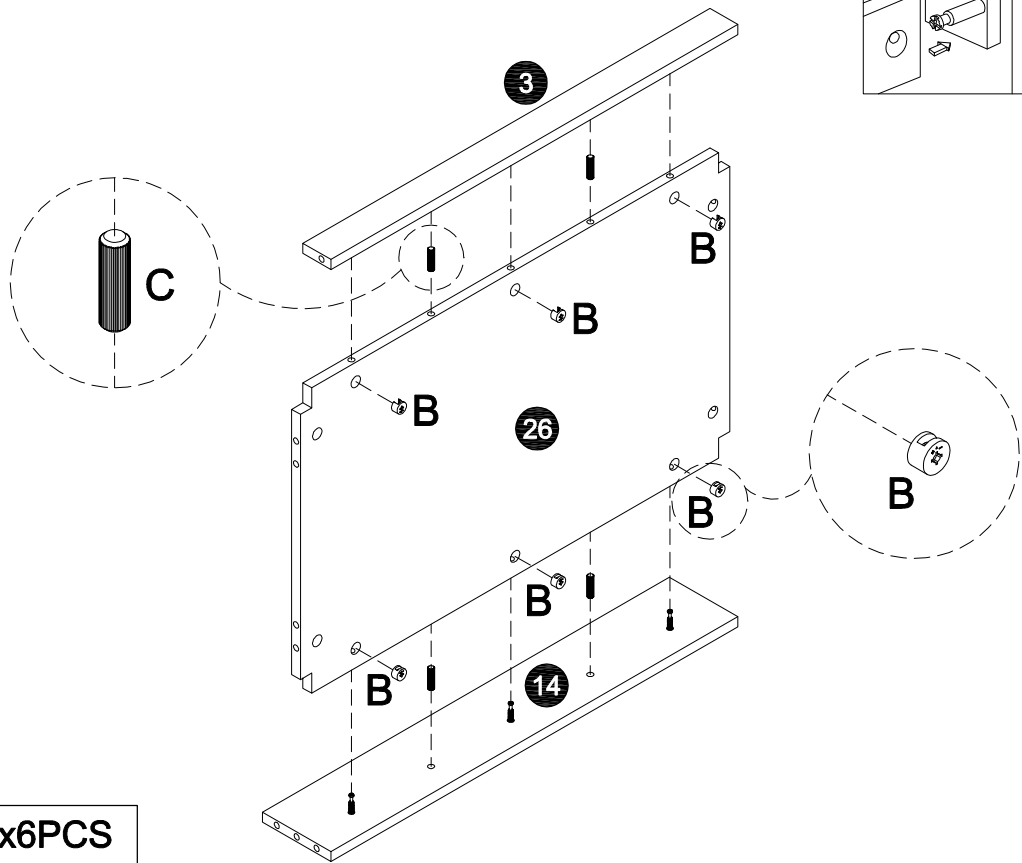
12

T2

 O. x6PCS

 T2. x2PCS

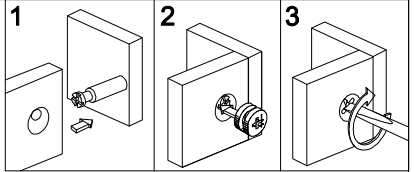
6





3

26

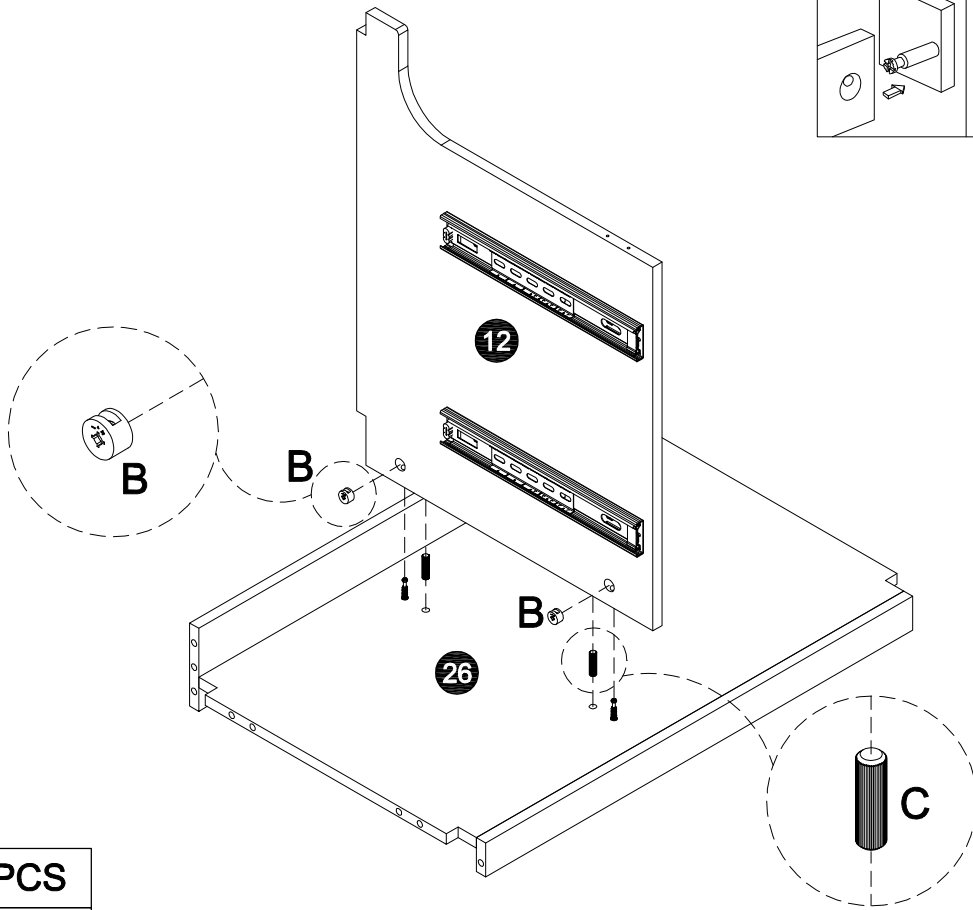
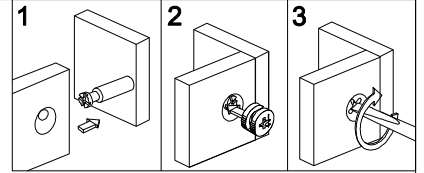
14





 B. x6PCS

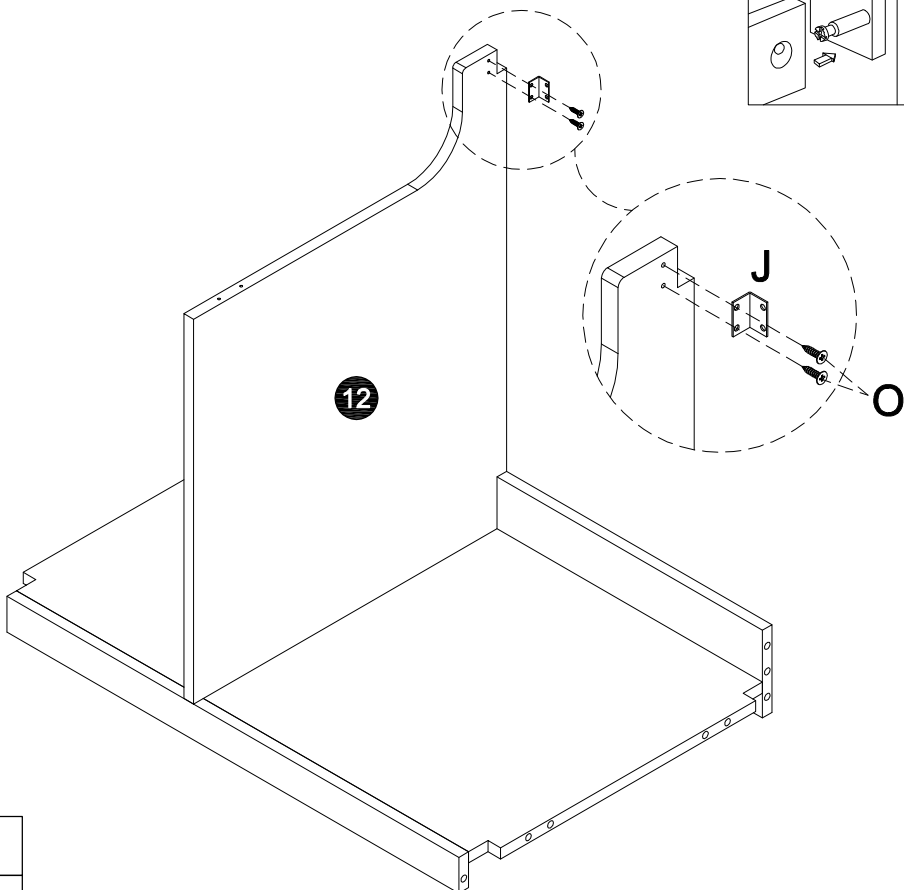
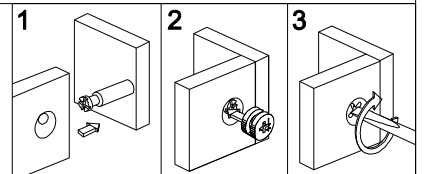
 C. x4PCS



7



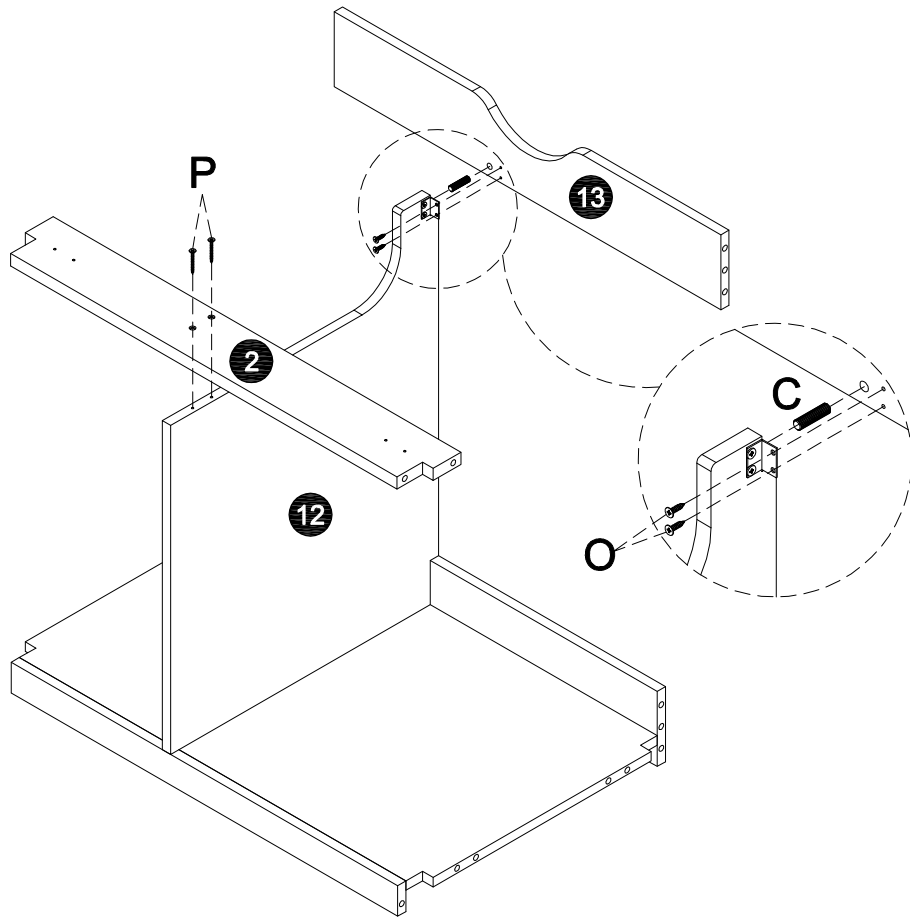
-  B. x2PCS
-  C. x2PCS

8



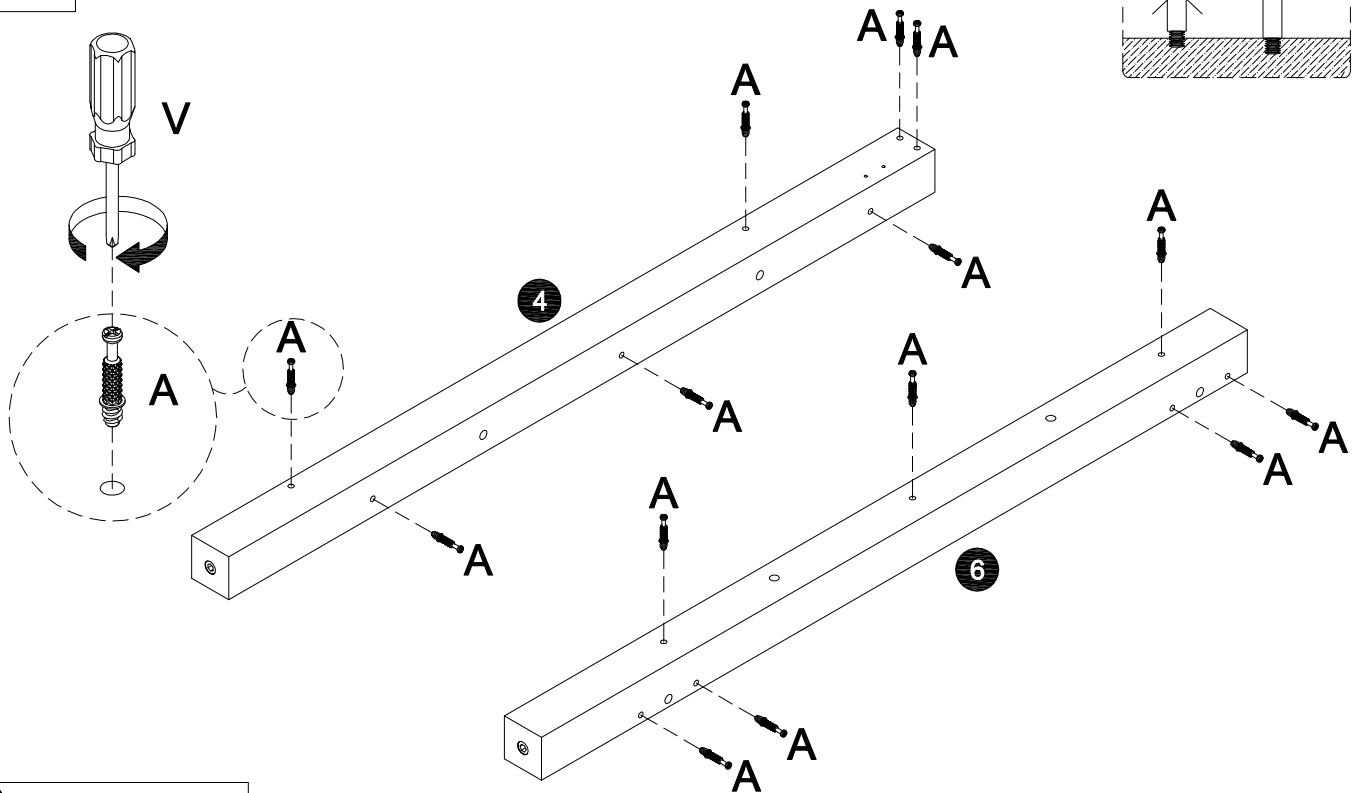
-  J. x1PC
-  O. x2PCS

9



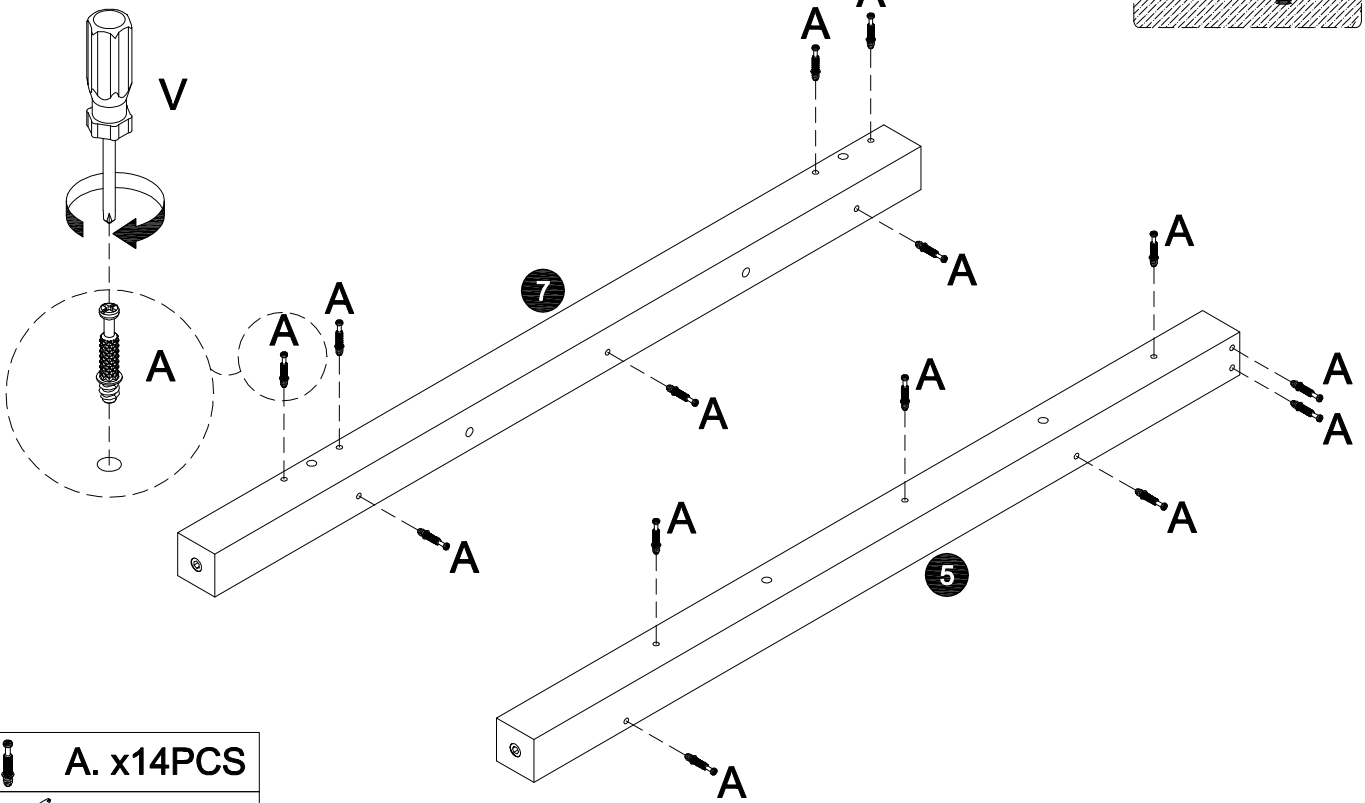
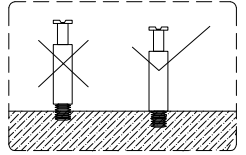
- C. x1PC
- O. x2PCS
- P. x2PCS


10



- A. x14PCS
- V. x1PC

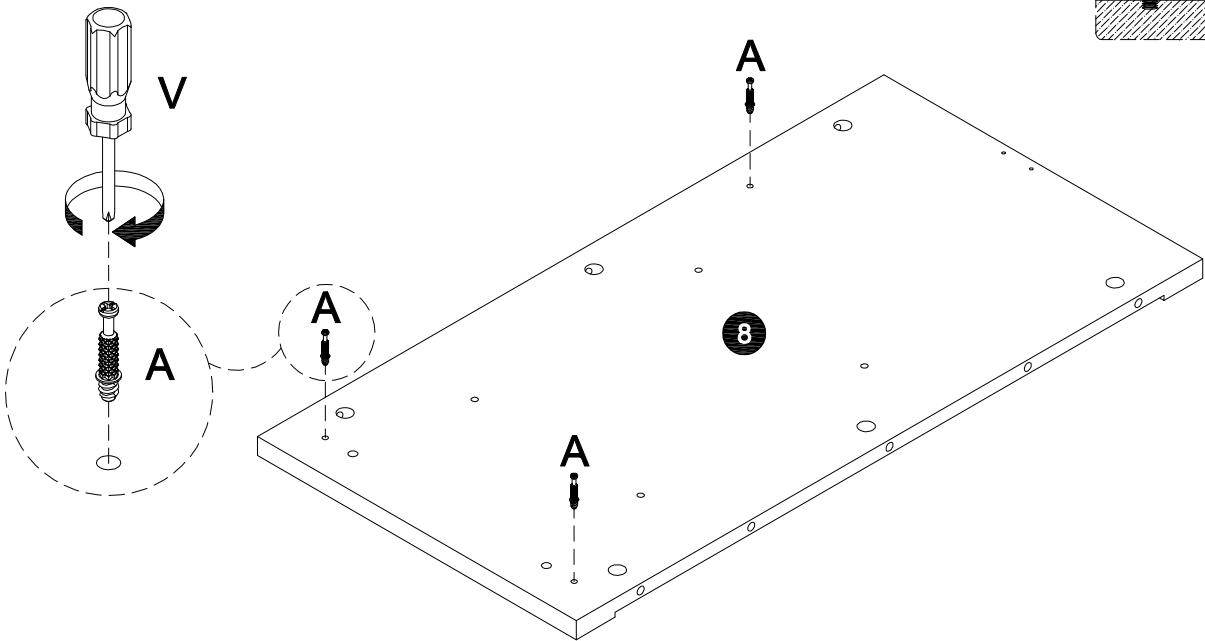
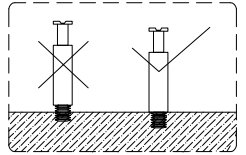
11




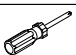
 A. x14PCS

 V. x1PC

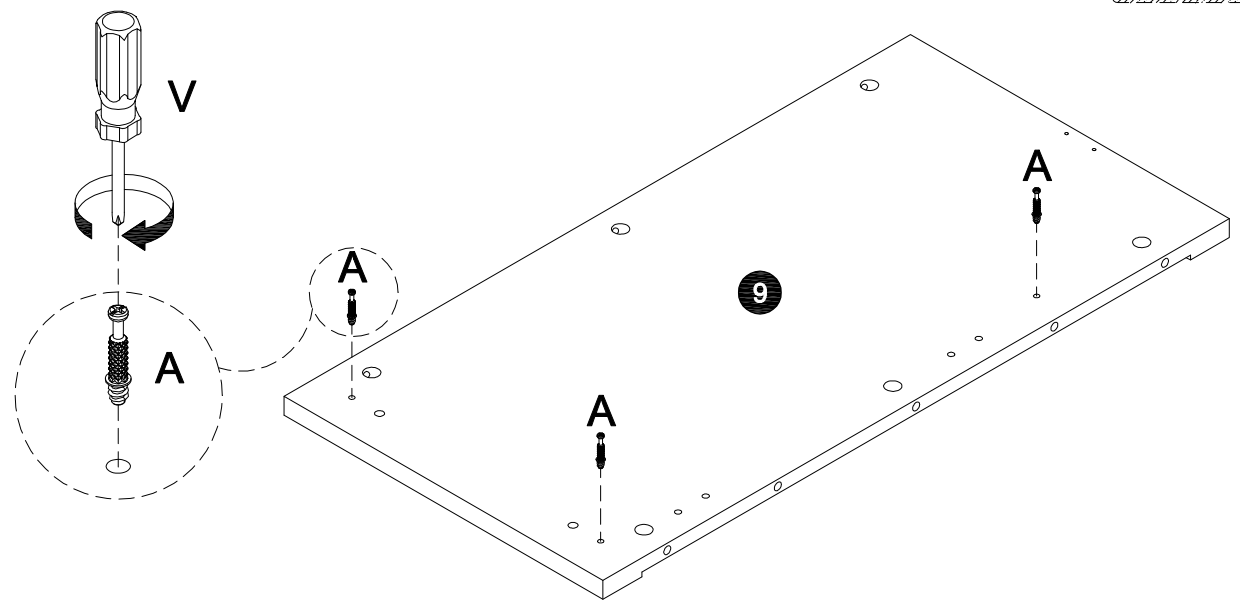
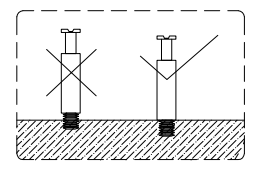
12





 A. x3PCS

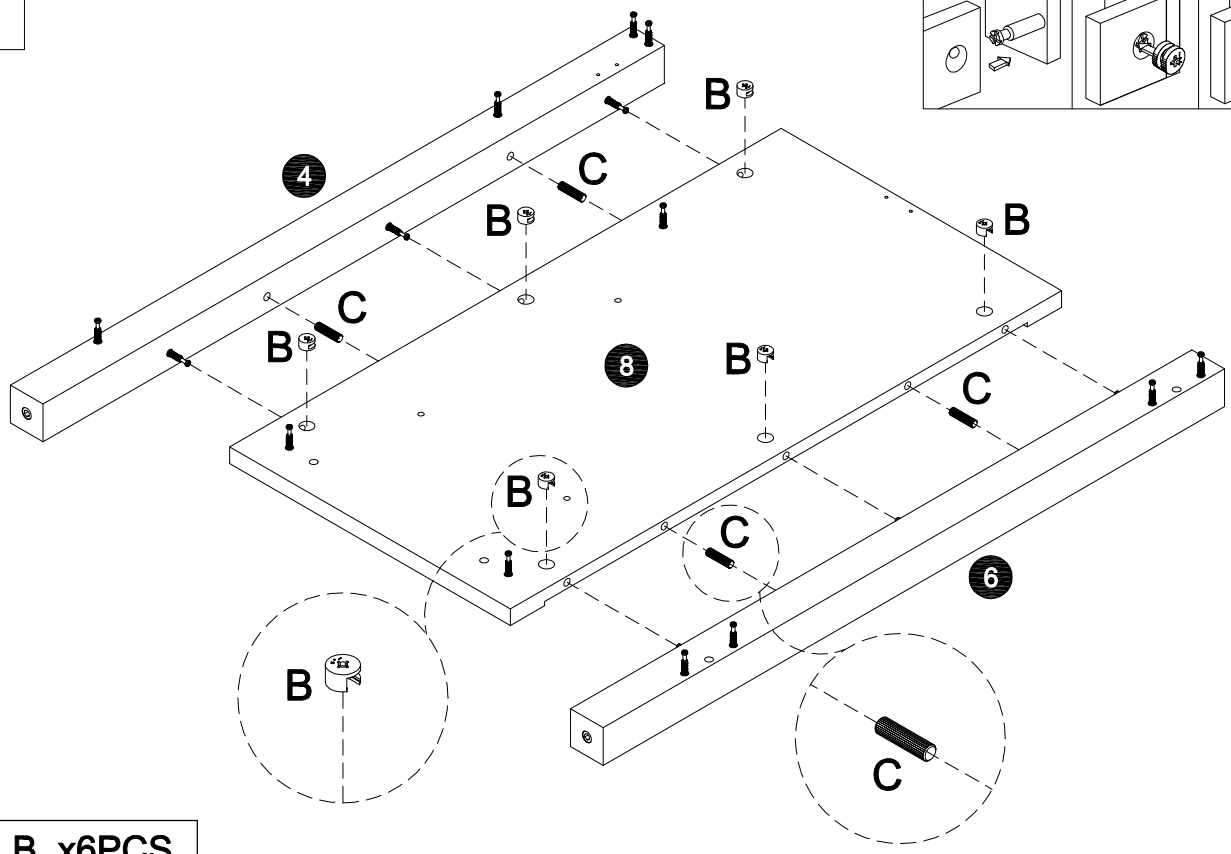
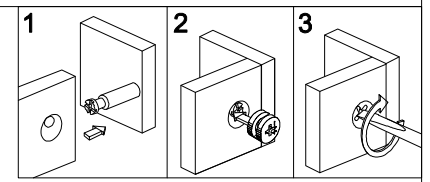
 V. x1PC



13



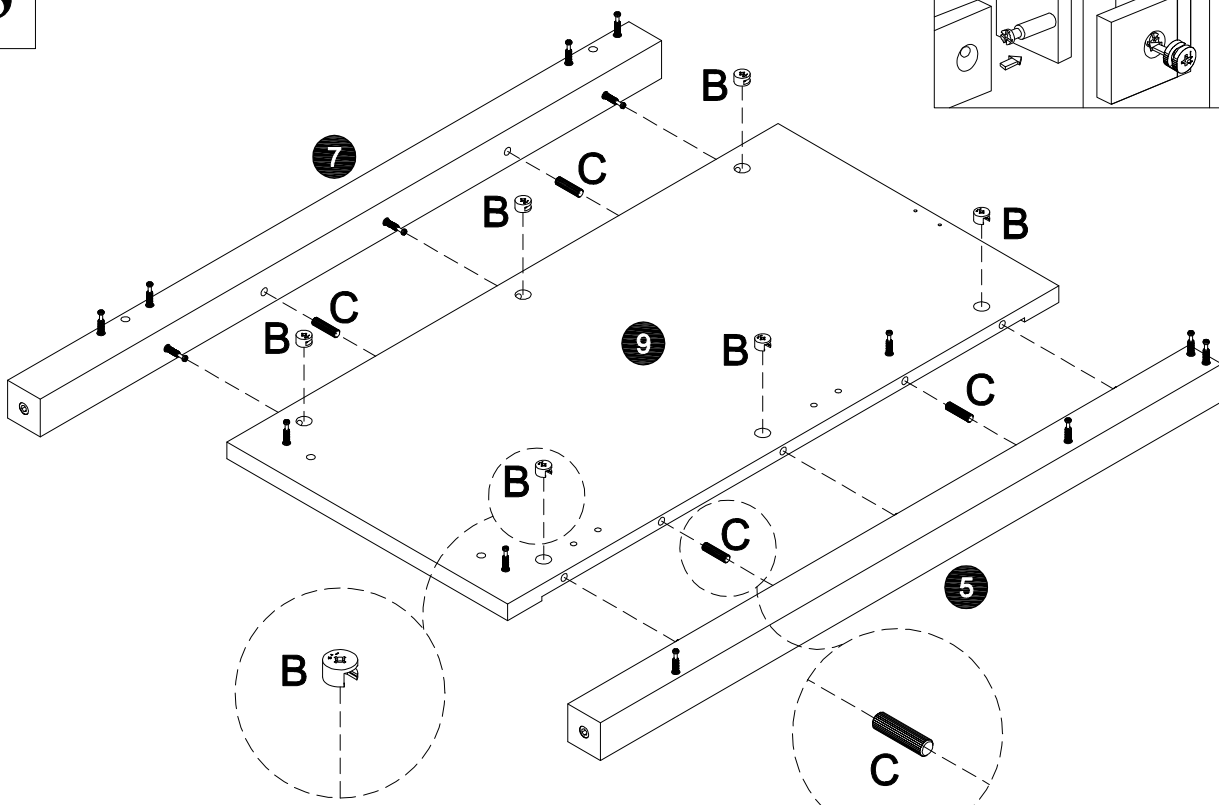
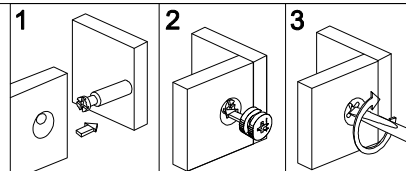
-  A. x3PCS
-  V. x1PC


14




-  B. x6PCS
-  C. x4PCS

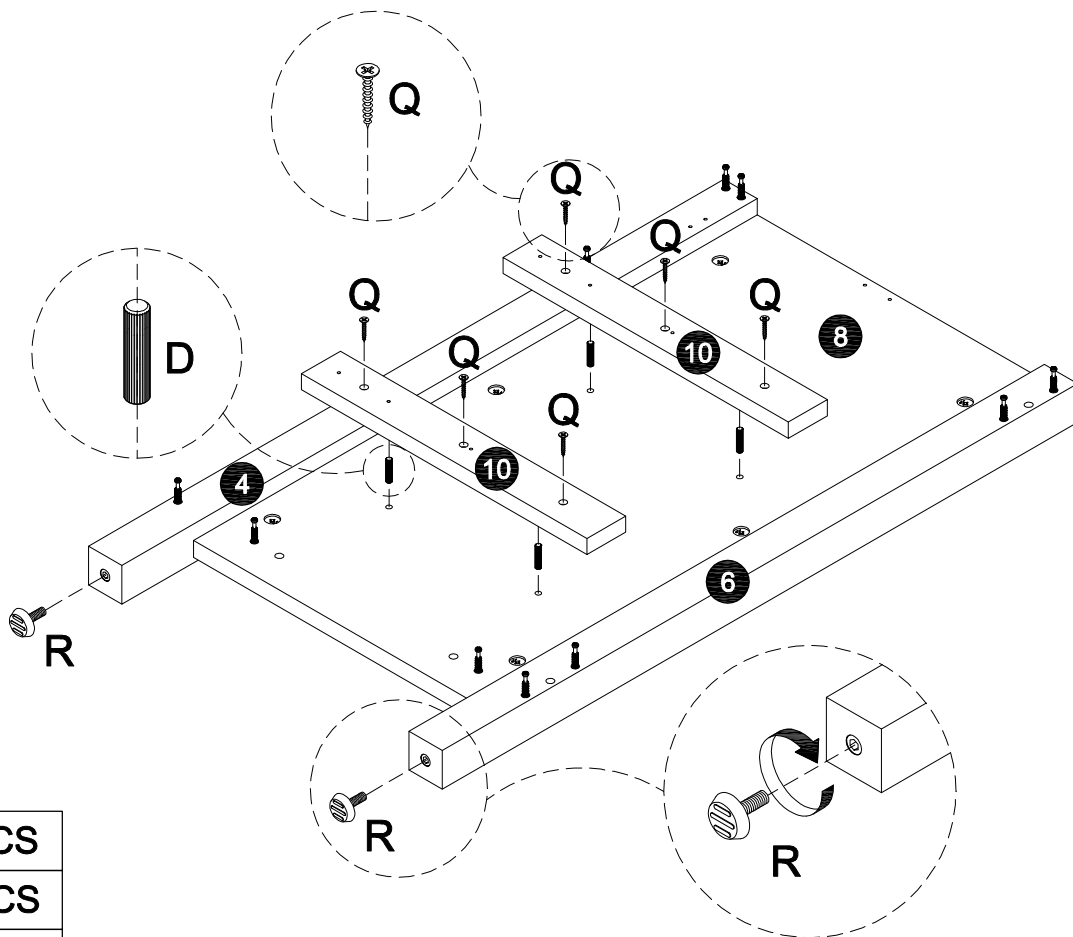
15




 B. x6PCS

 C. x4PCS

16

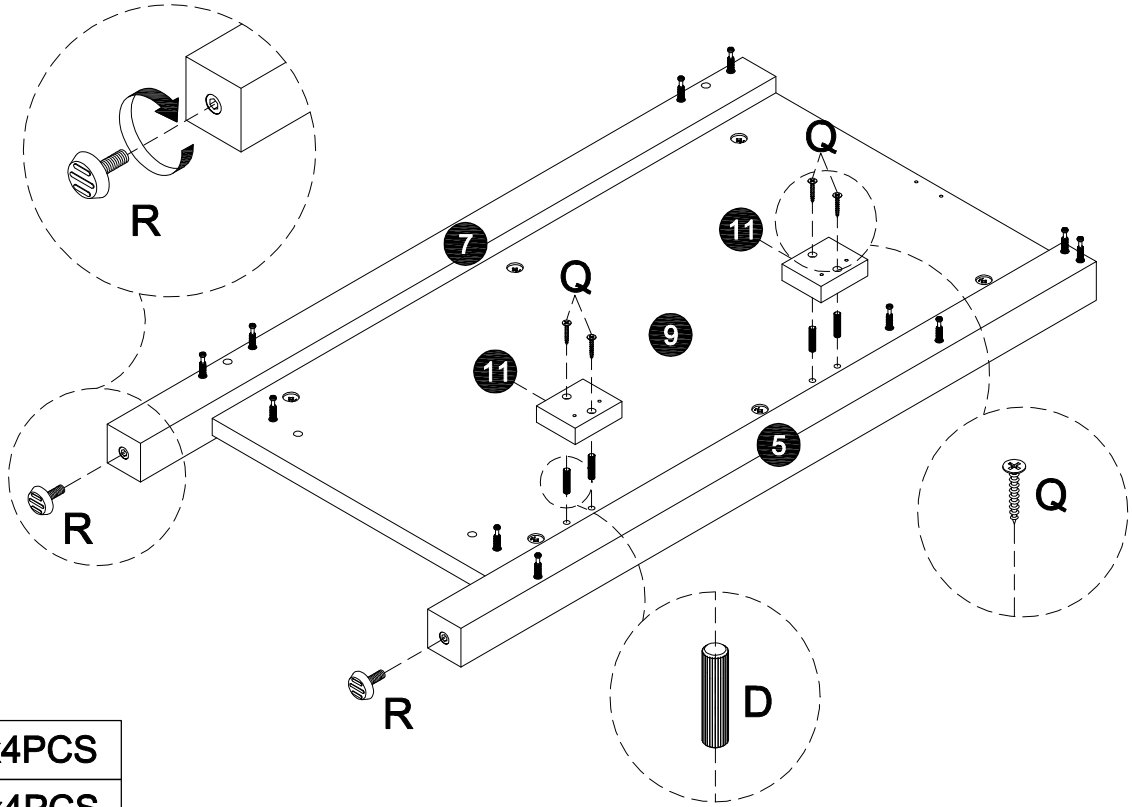





 D. x4PCS

 Q. x6PCS

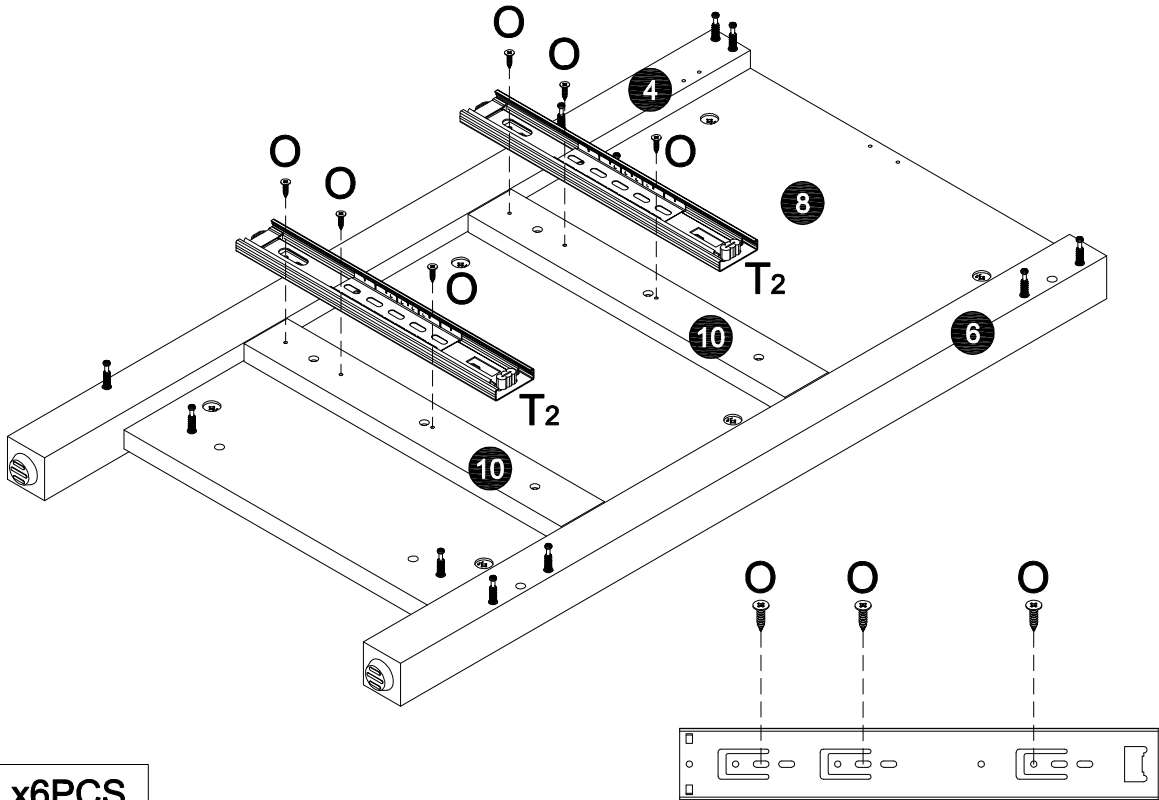
 R. x2PCS



17

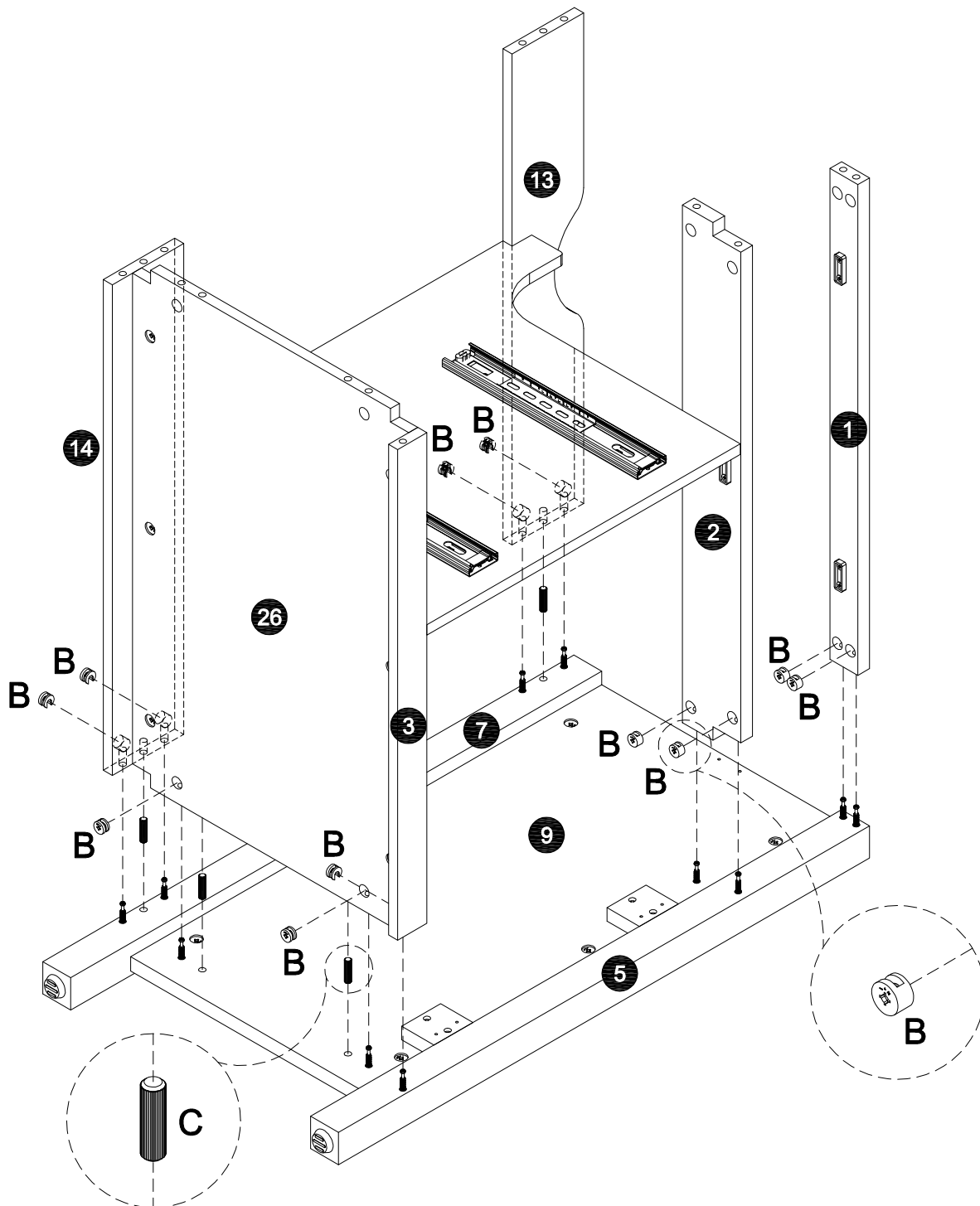
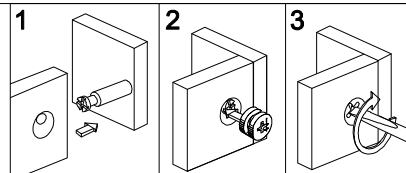


-  D. x4PCS
-  Q. x4PCS
-  R. x2PCS


18

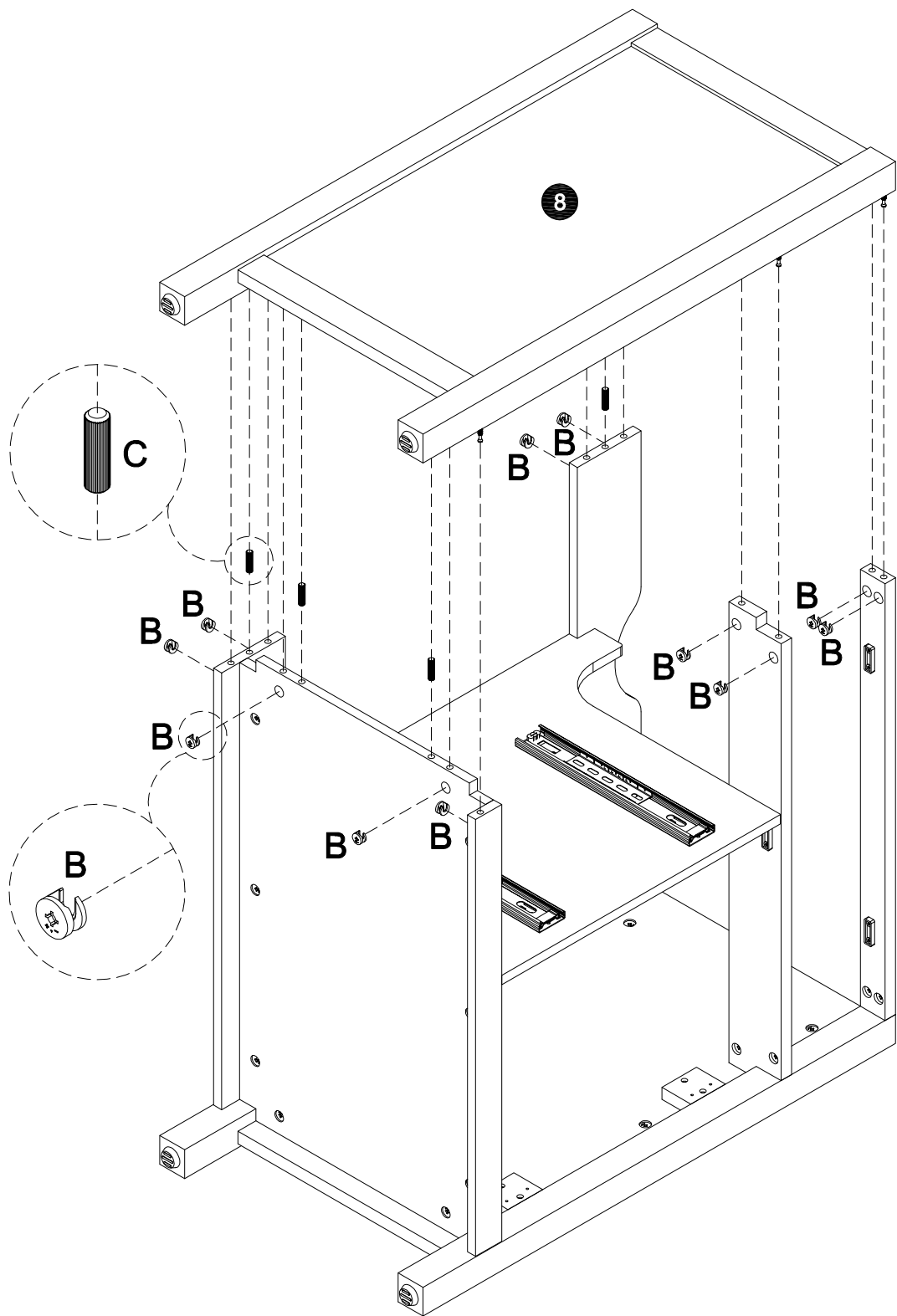
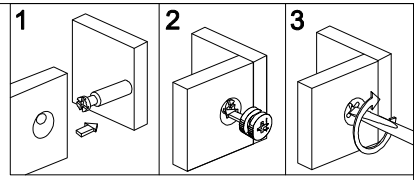




-  O. x6PCS
-  T2. x2PCS



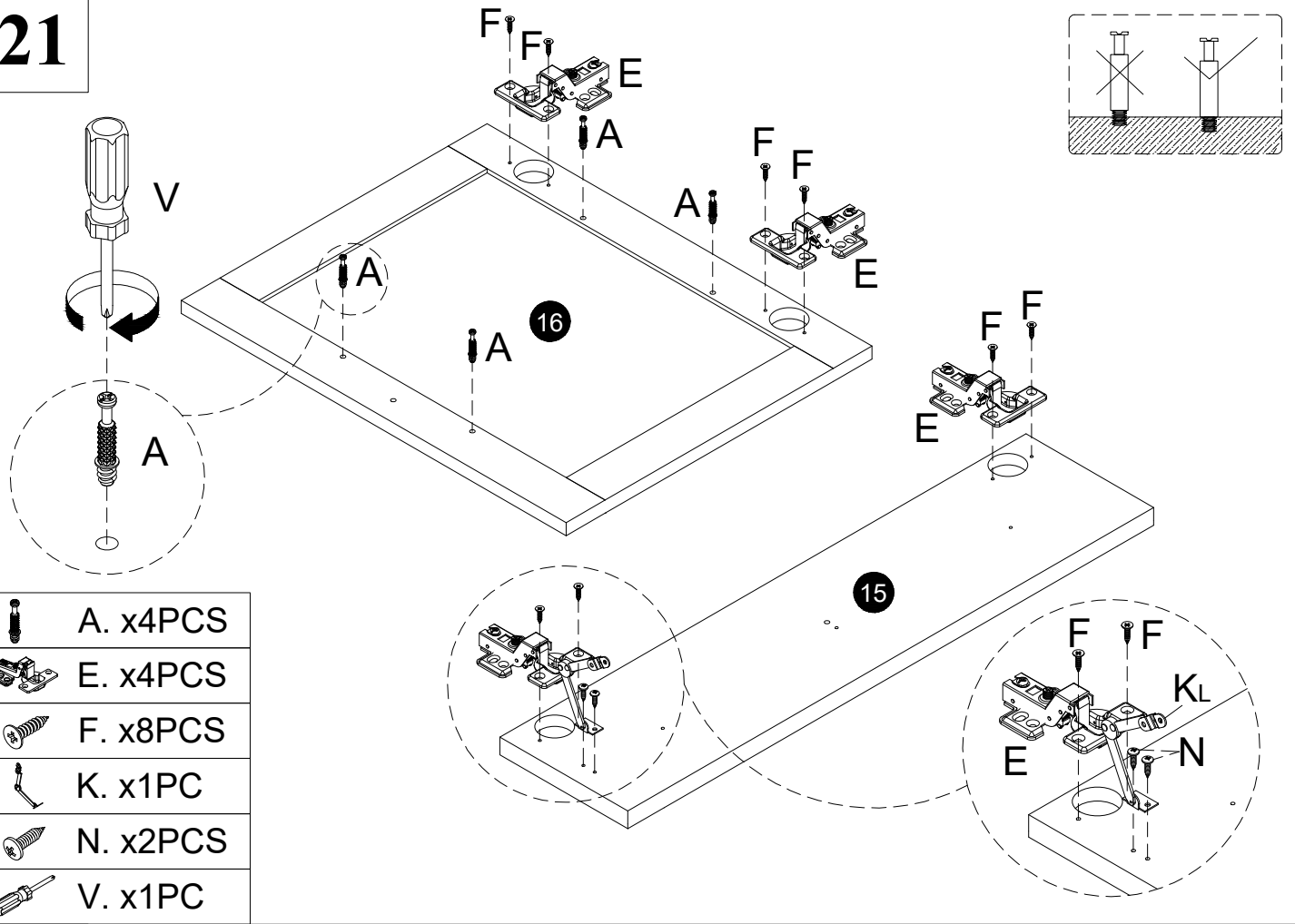
 B. x11PCS

 C. x4PCS



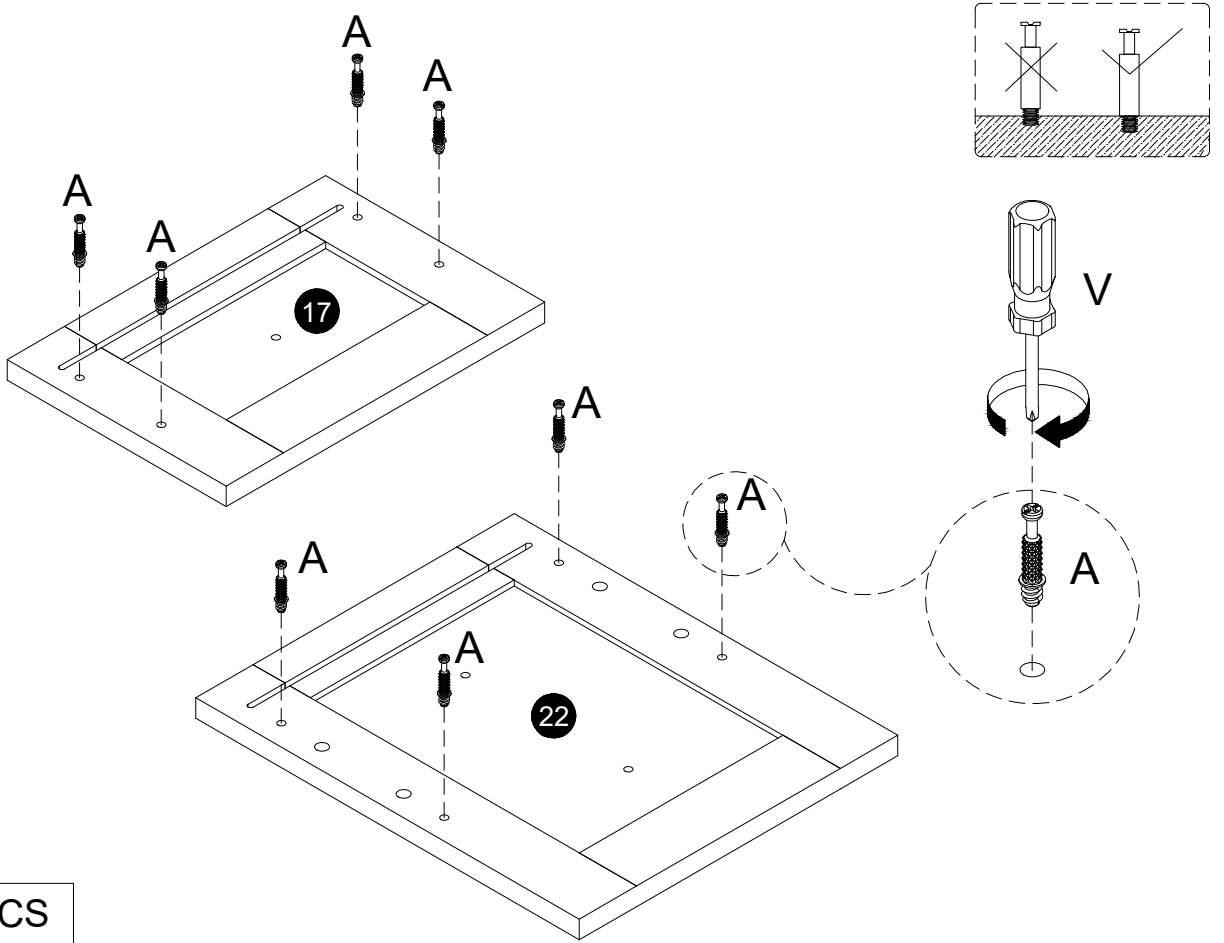
-  B. x11PCS
-  C. x4PCS

21



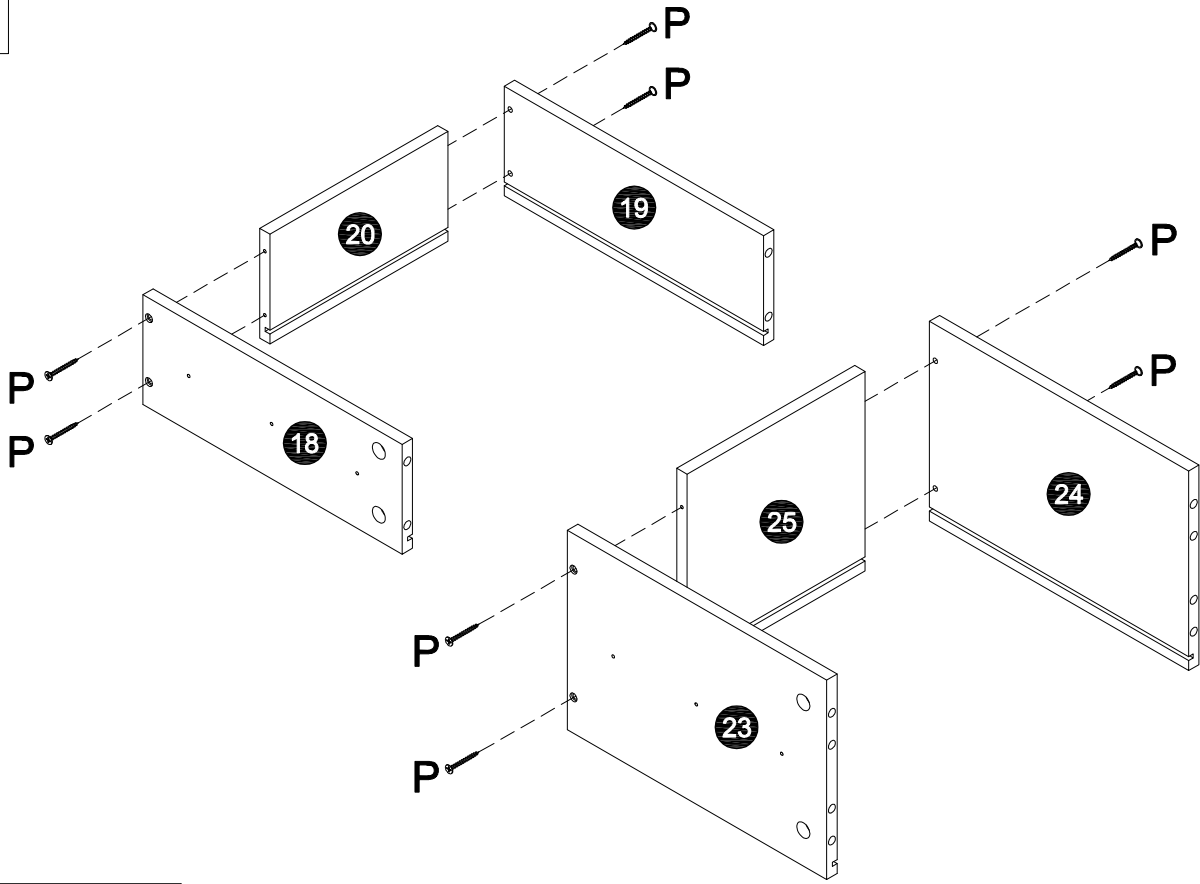
- A. x4PCS
- E. x4PCS
- F. x8PCS
- K. x1PC
- N. x2PCS
- V. x1PC

22



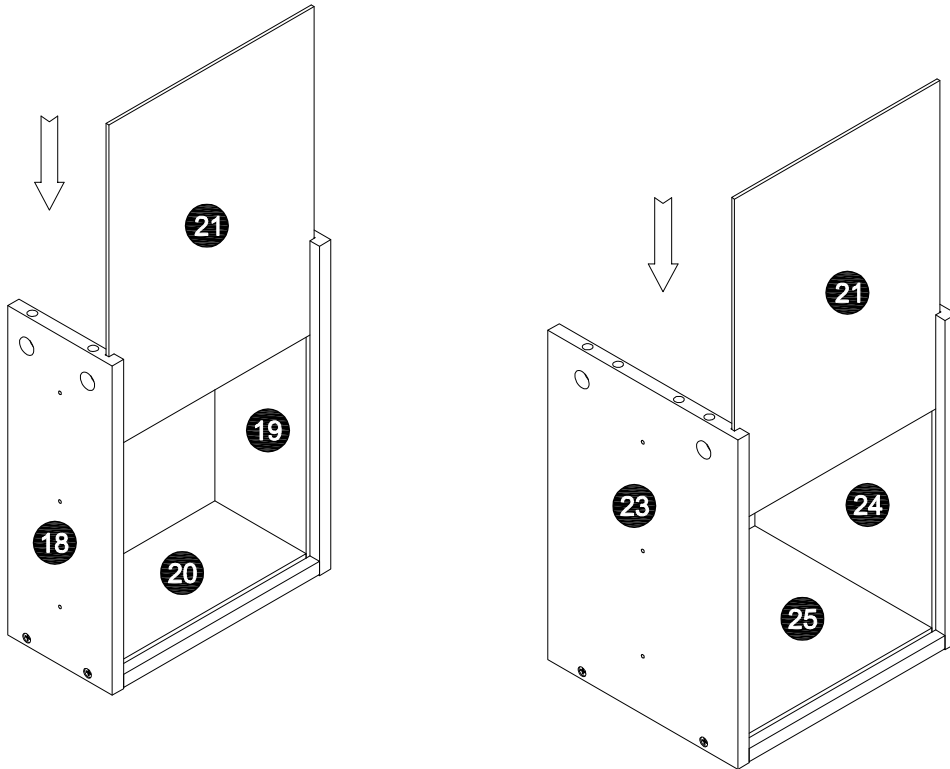
- A. x8PCS
- V. x1PC

23

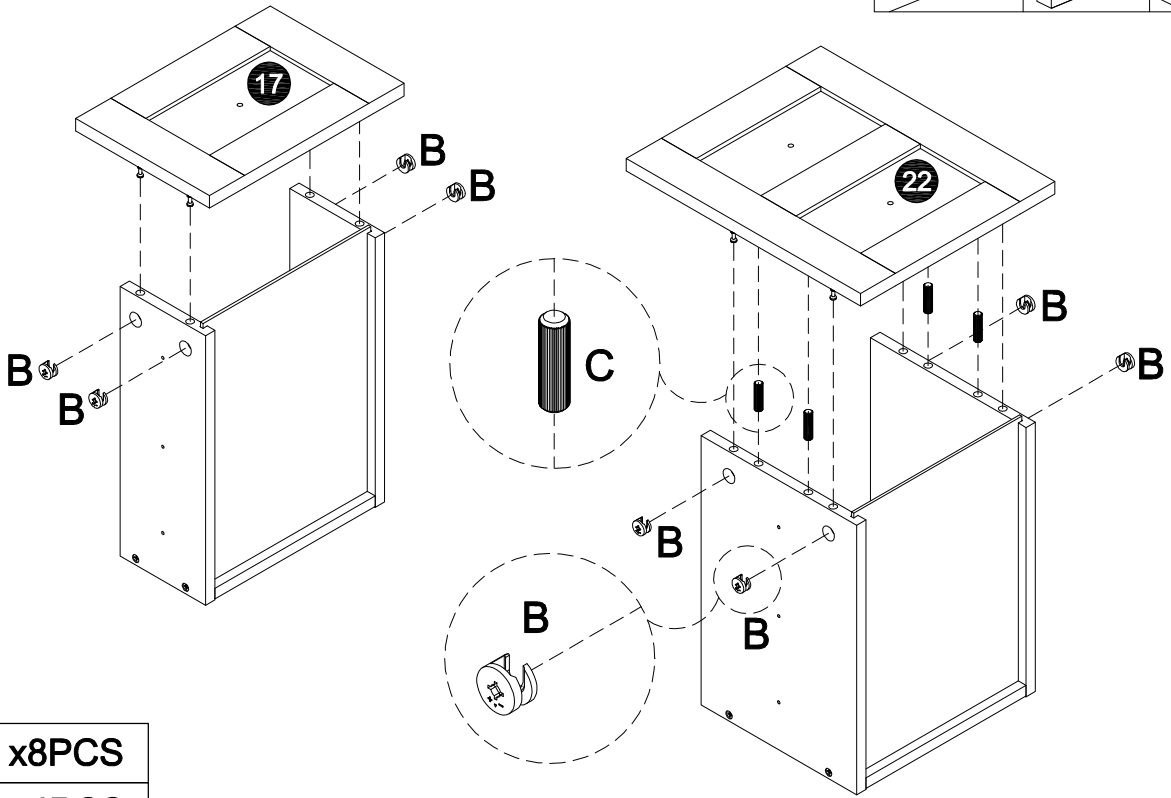
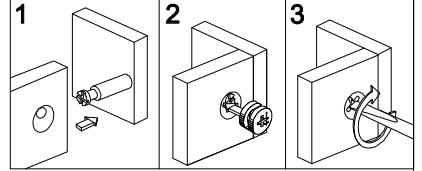


P. x8PCS

24



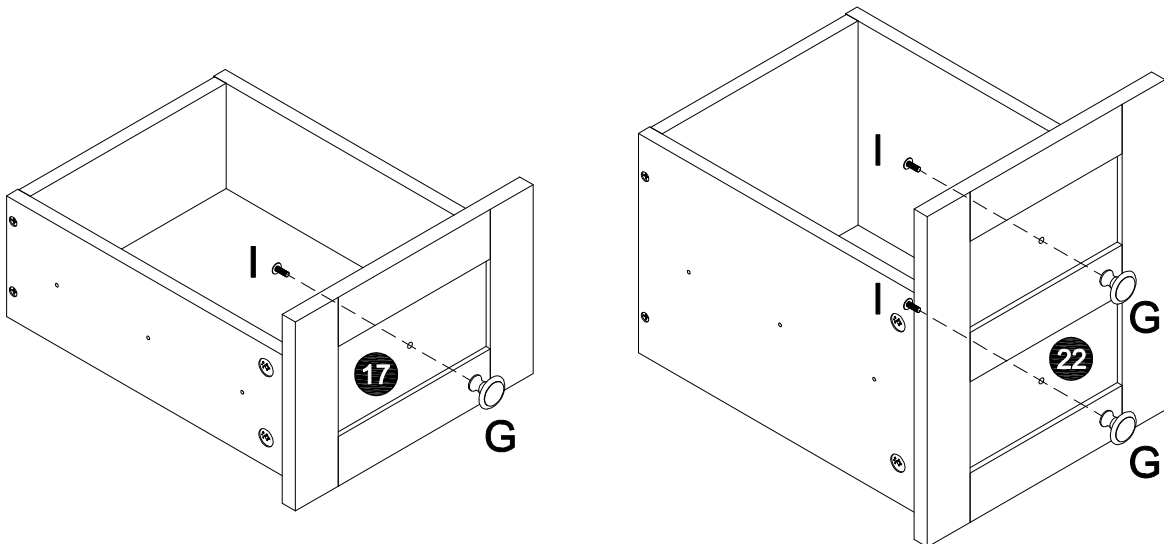
25



 B. x8PCS

 C. x4PCS

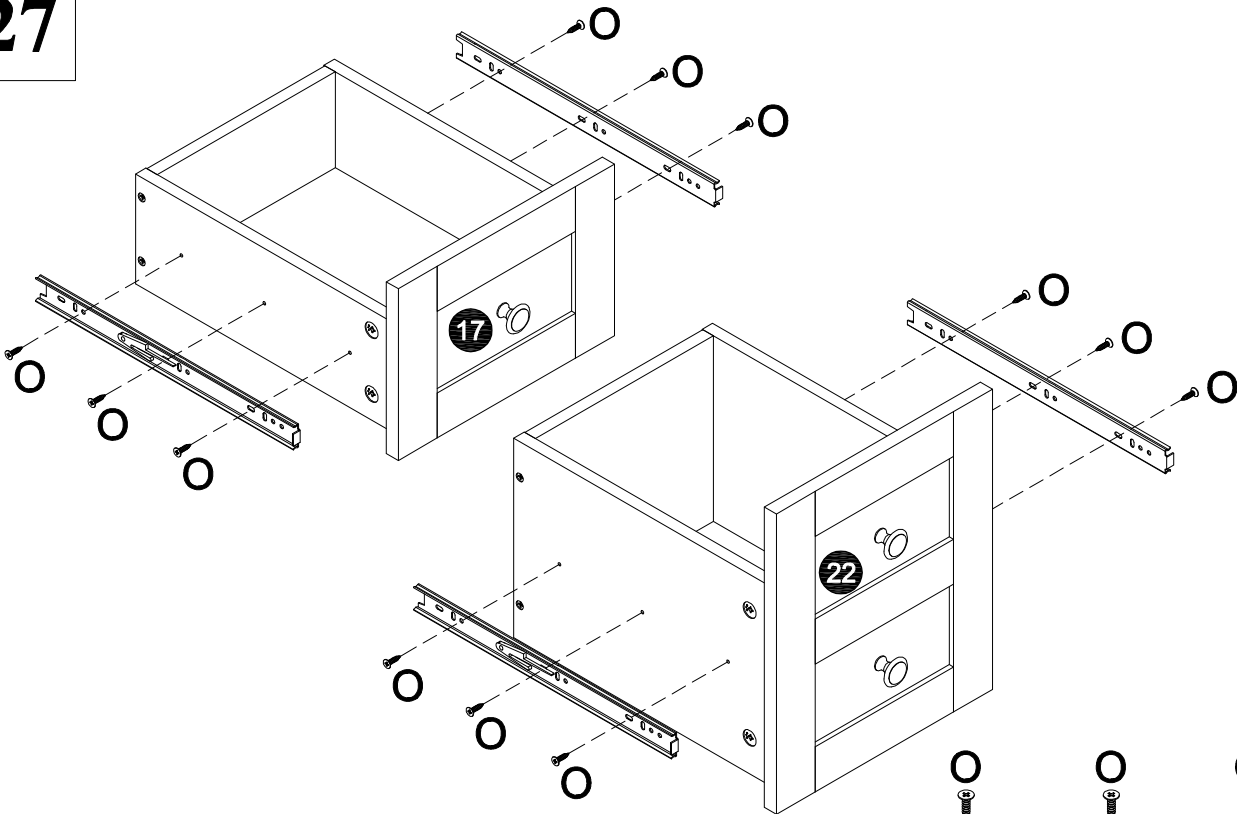
26





 G. x3PCS

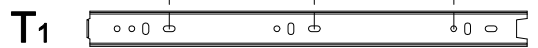
 I. x3PCS

27

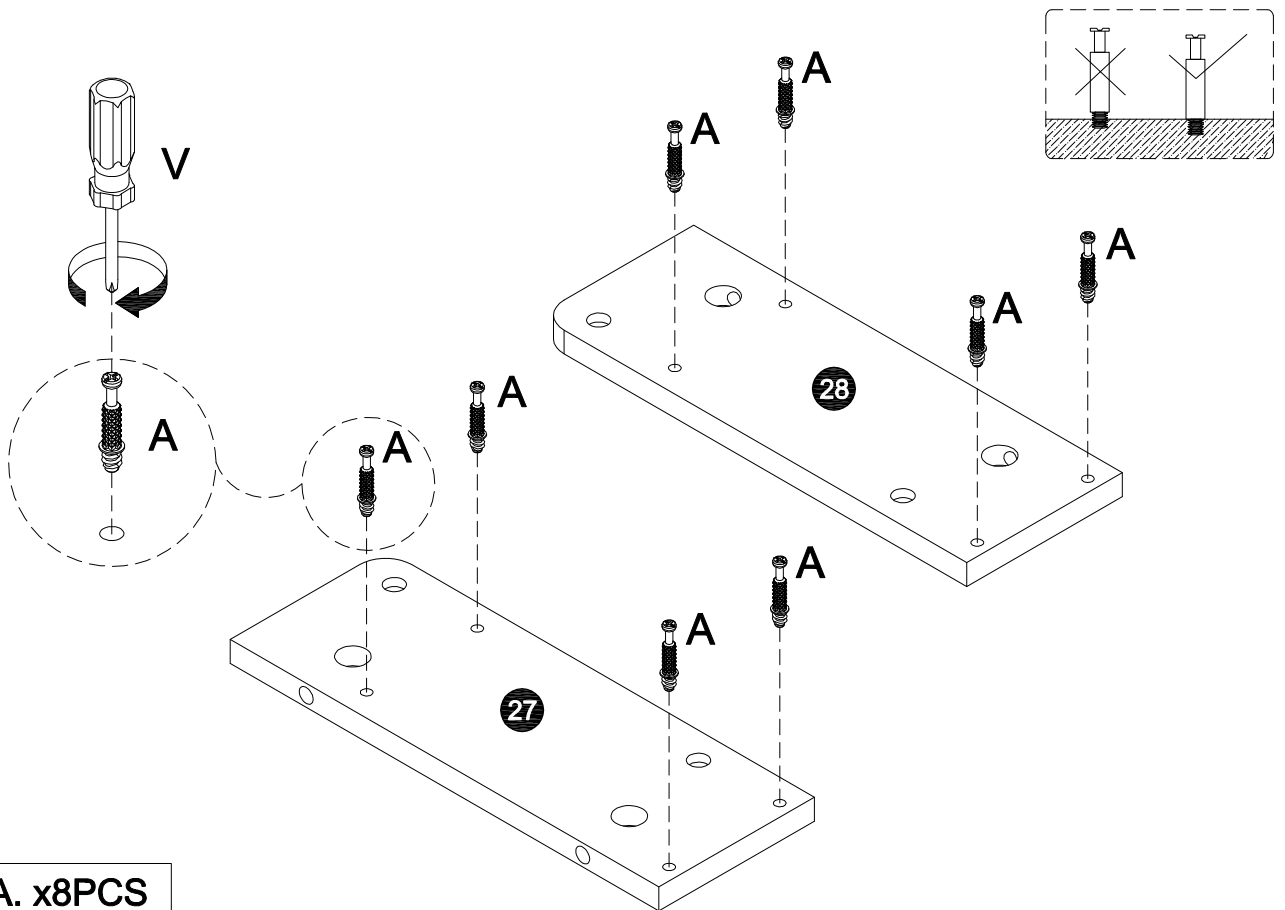


 O. x12PCS


 T1. x4PCS



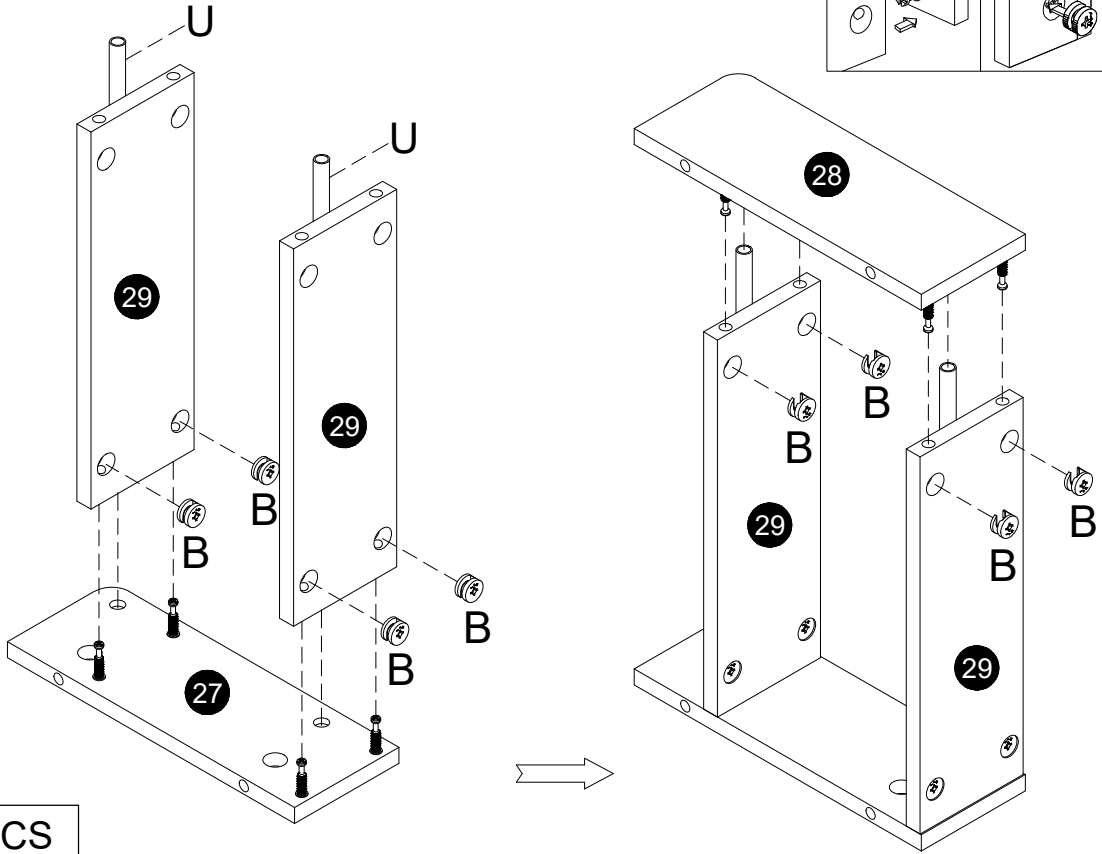
28





 A. x8PCS

 V. x1PC

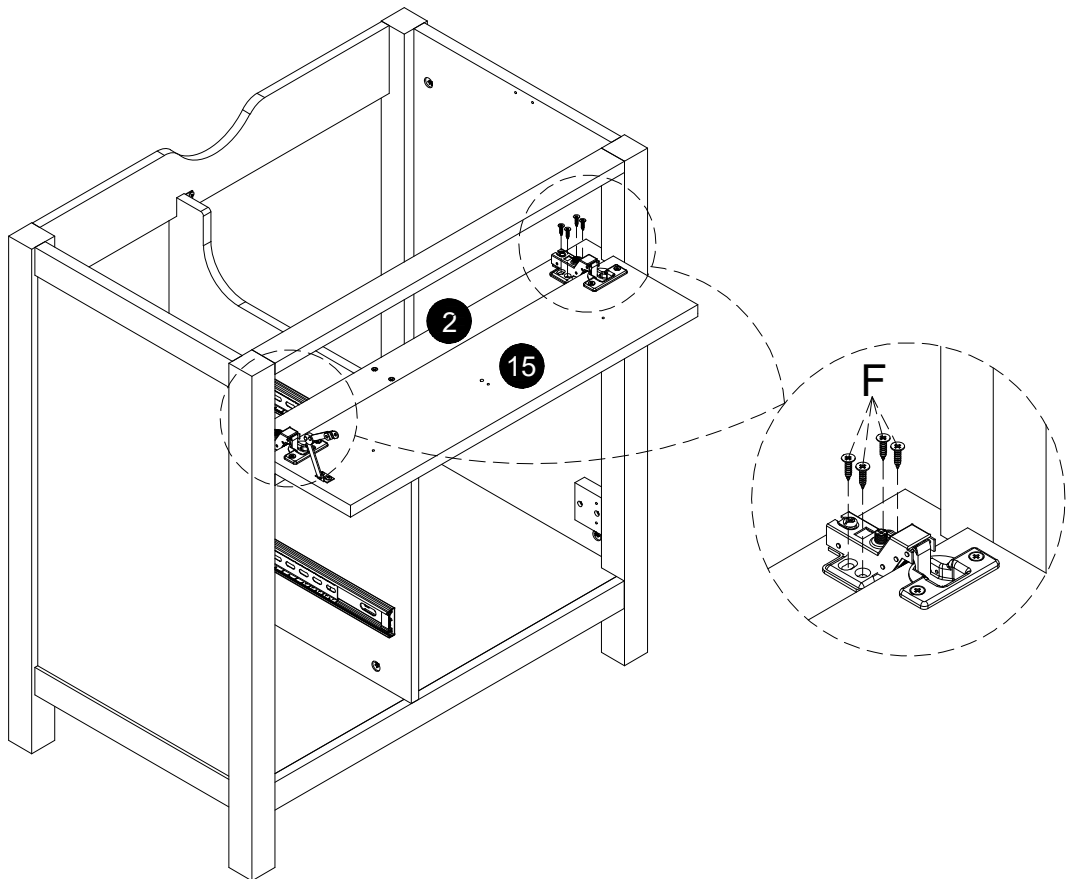
29




 B. x8PCS

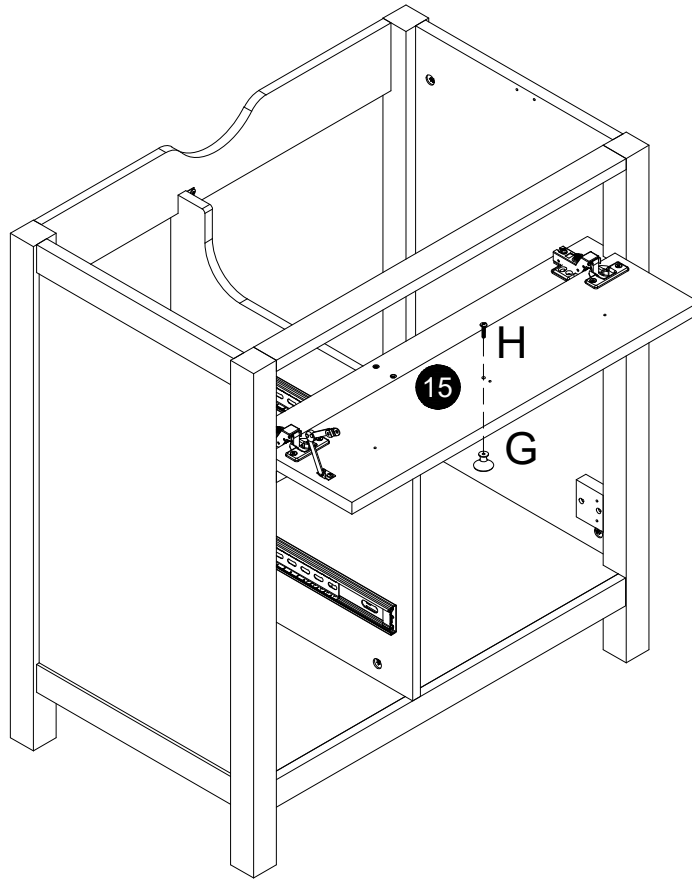
 U. x2PCS


30




 F. x8PCS

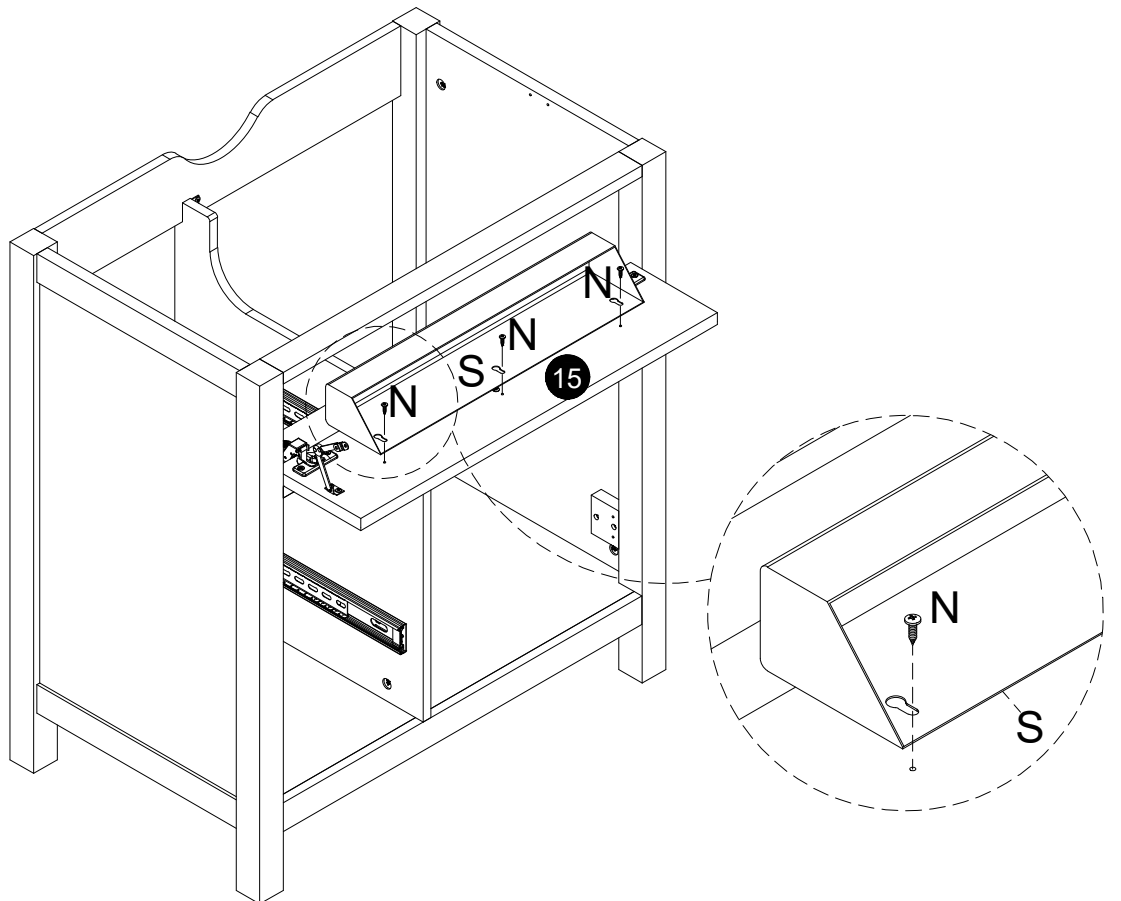
31



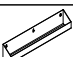
 G. x1PC

 H. x1PC

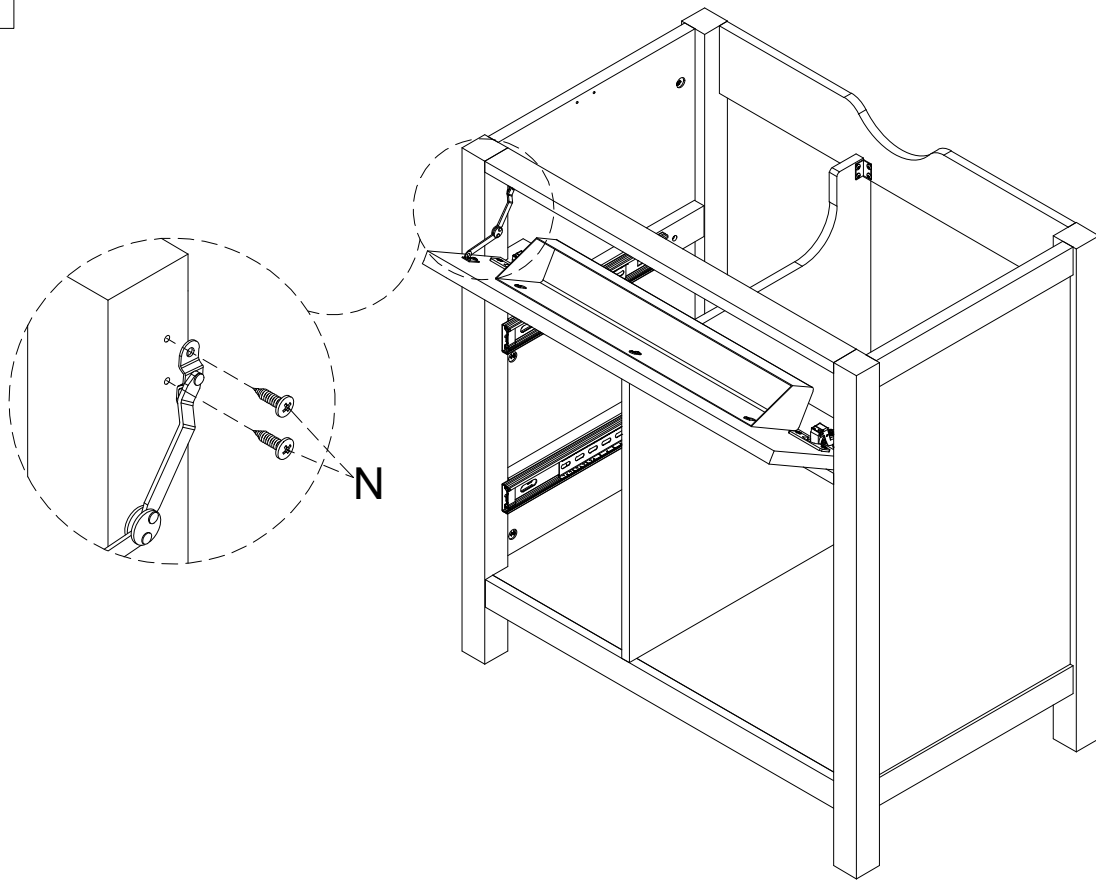
32




 N. x3PCS

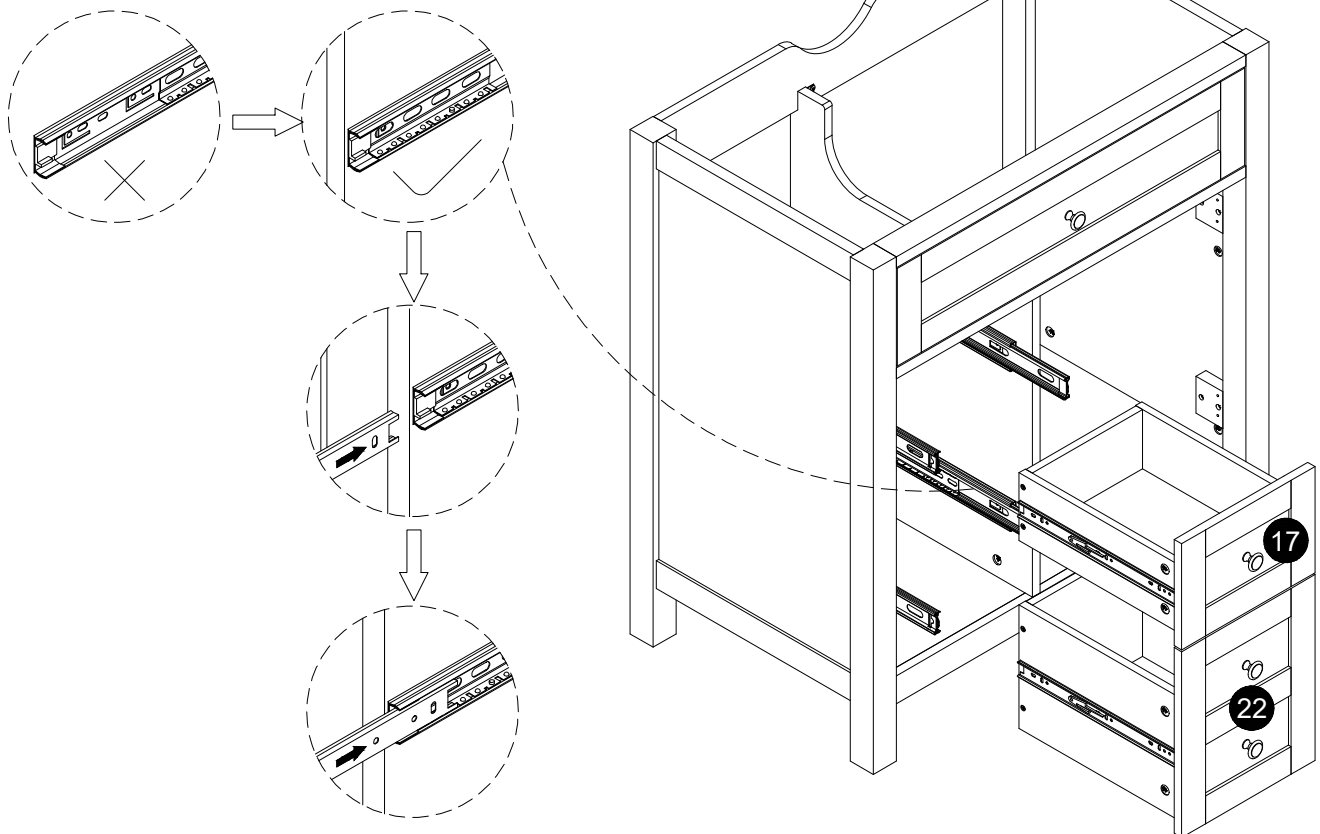
 S. x1PC

33

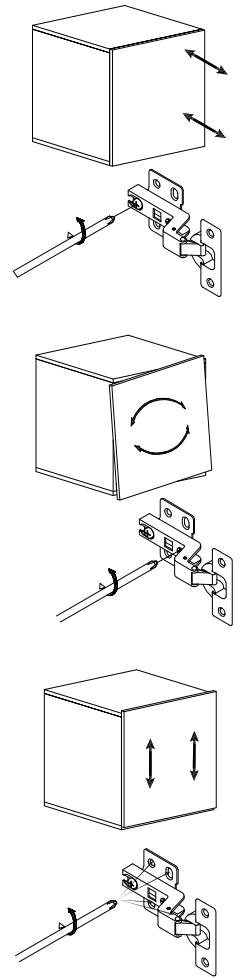
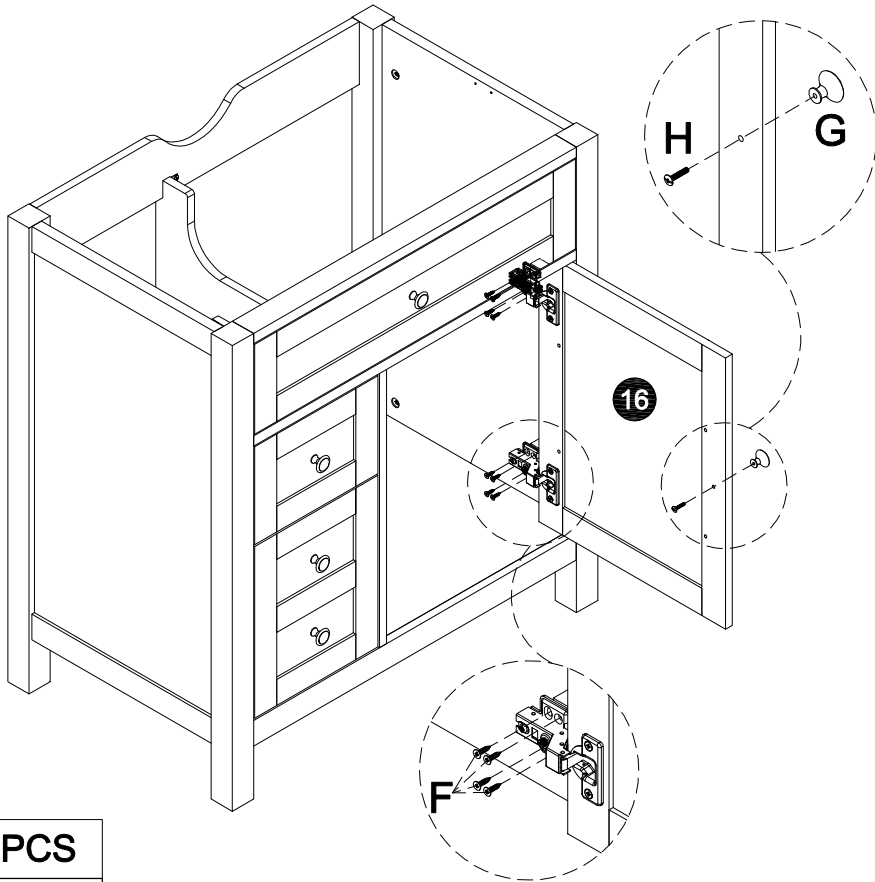



 N. x2PCS

34




35



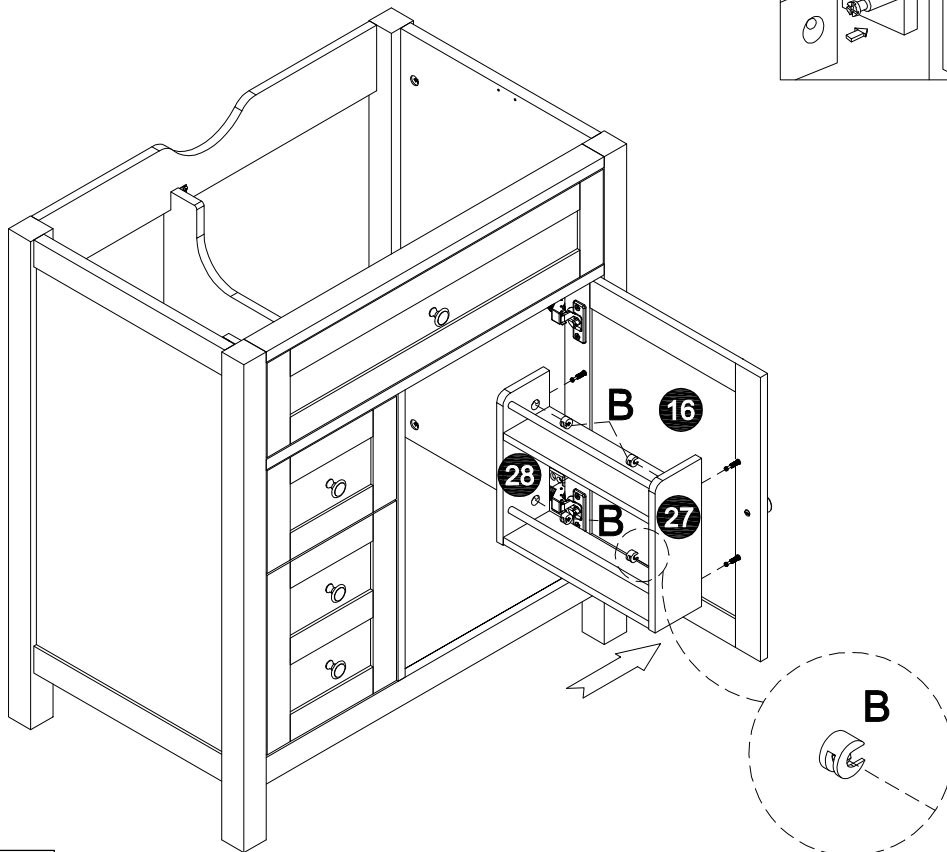
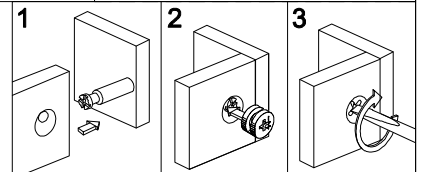
 F. x8PCS


 G. x1PC

 H. x1PC

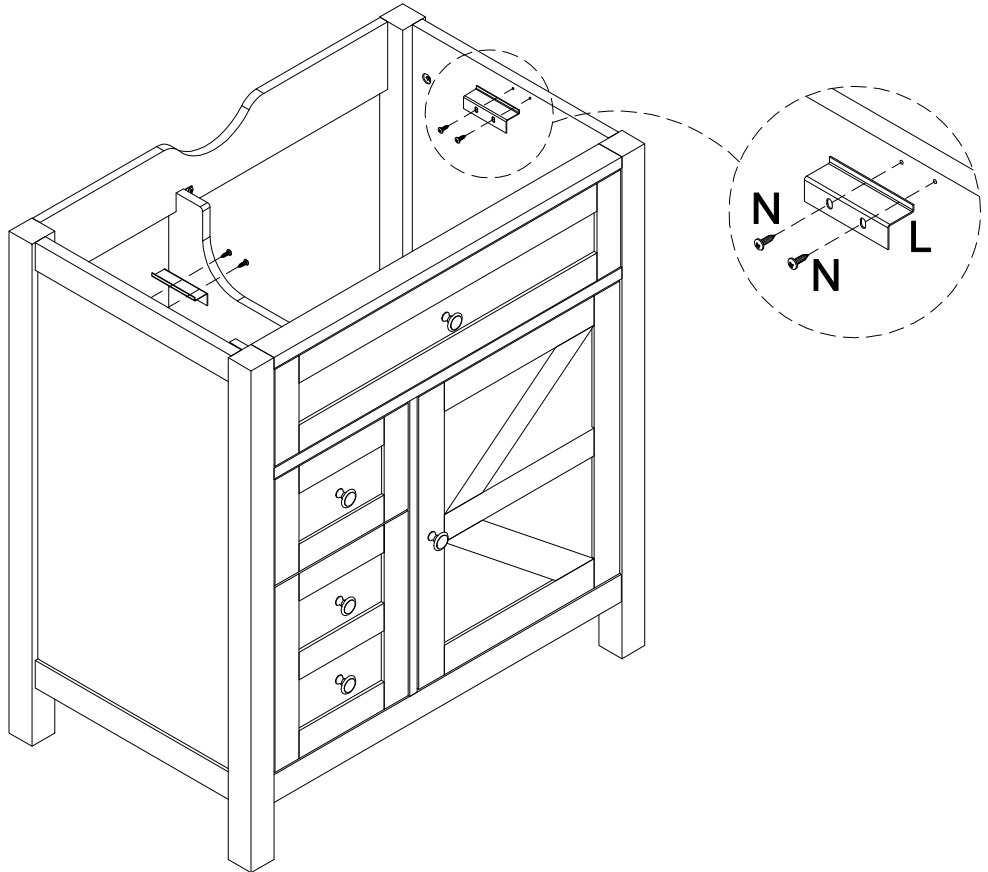
NOTE: After assembling the door, if there are any gaps or misalignment, adjust the hinges as shown right.


36




 B. x4PCS

37



 L. x2PCS

 N. x4PCS

38

