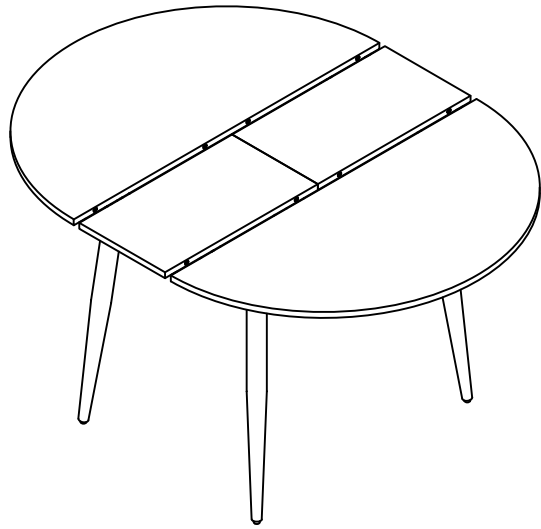
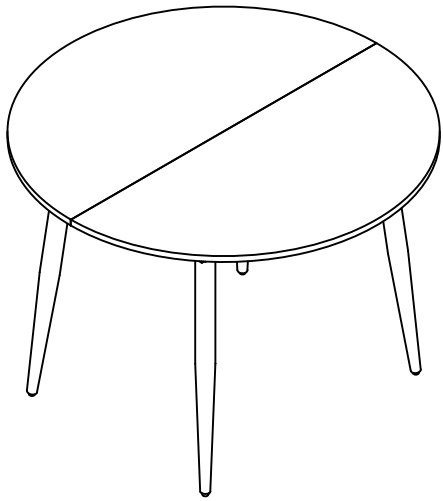
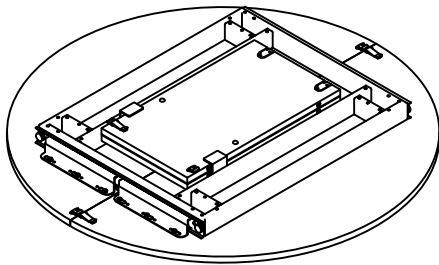


ASSEMBLY INSTRUCTION



At least 2 people are required for product assembly

①



1pcs

②



4pcs

A



8*18

16pcs

B



8*20

12pcs

C



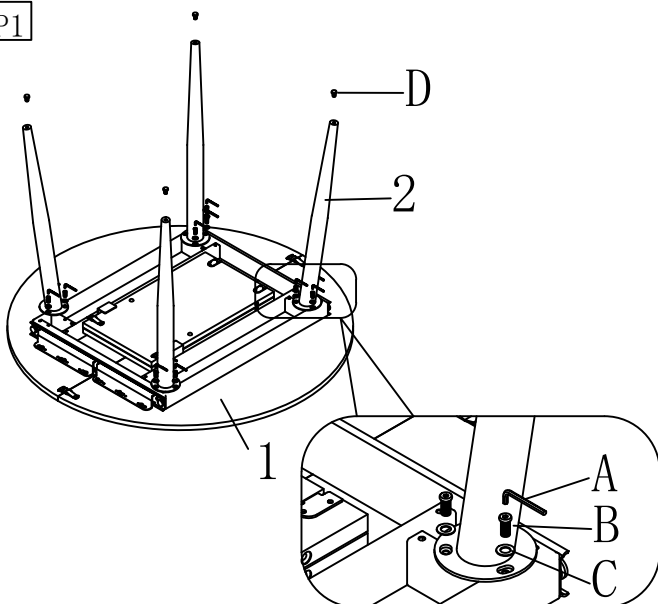
1pcs

D

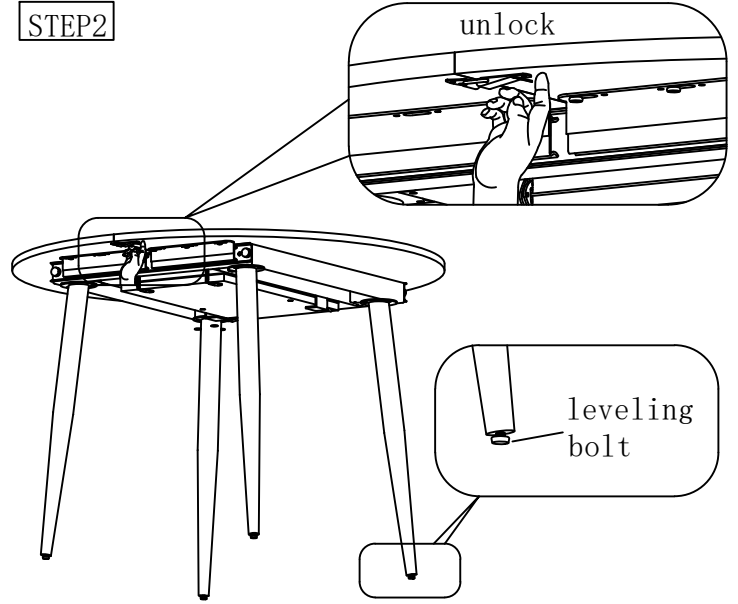


4pcs

STEP1

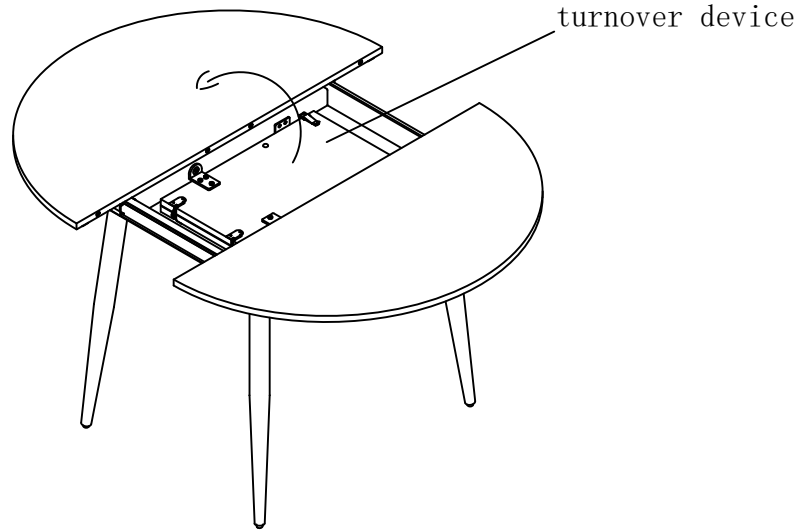


STEP2

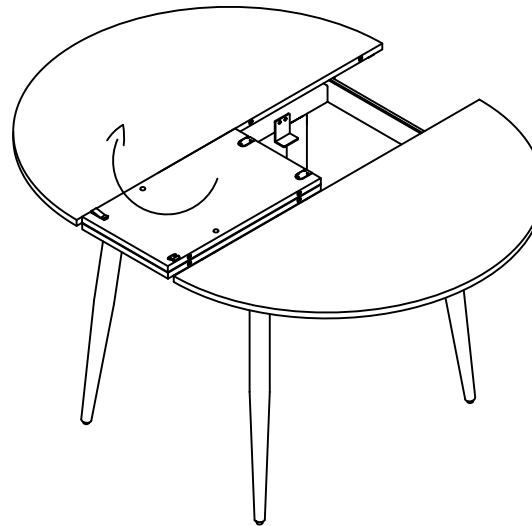


ASSEMBLY INSTRUCTION

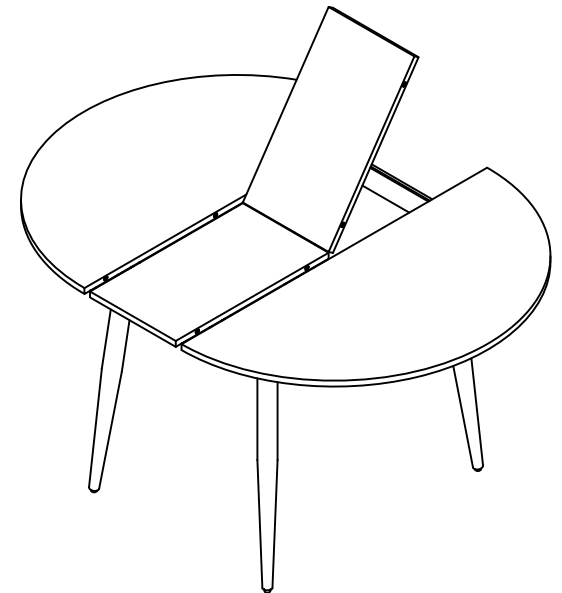
STEP3



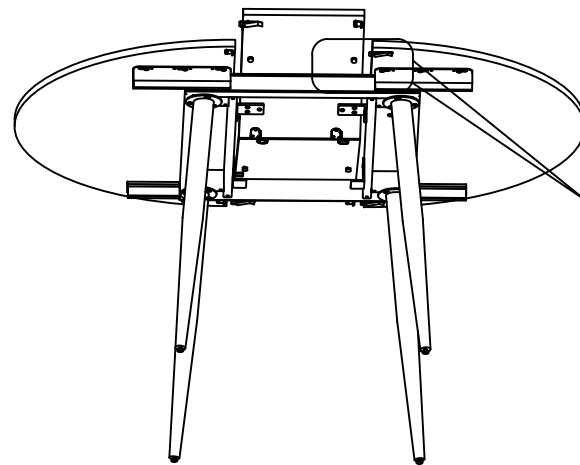
STEP4



STEP5

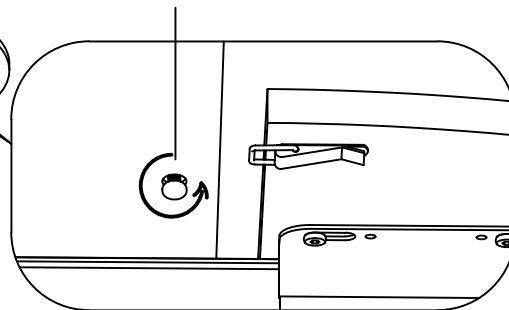


STEP6

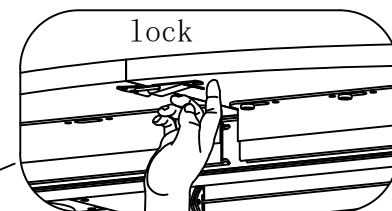
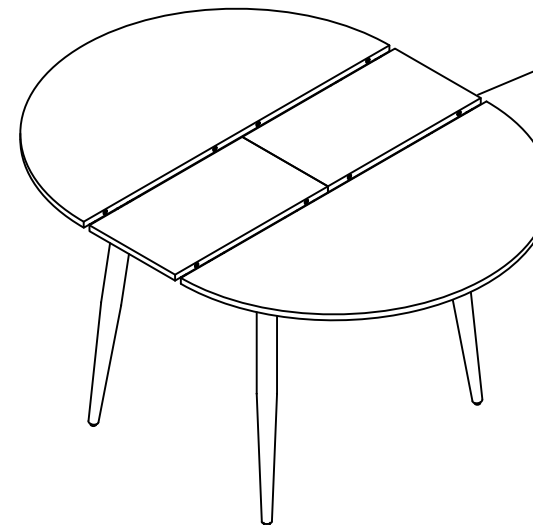


STEP7

The desktop flatness can be manually adjusted here



STEP8



Location of hardware package



14