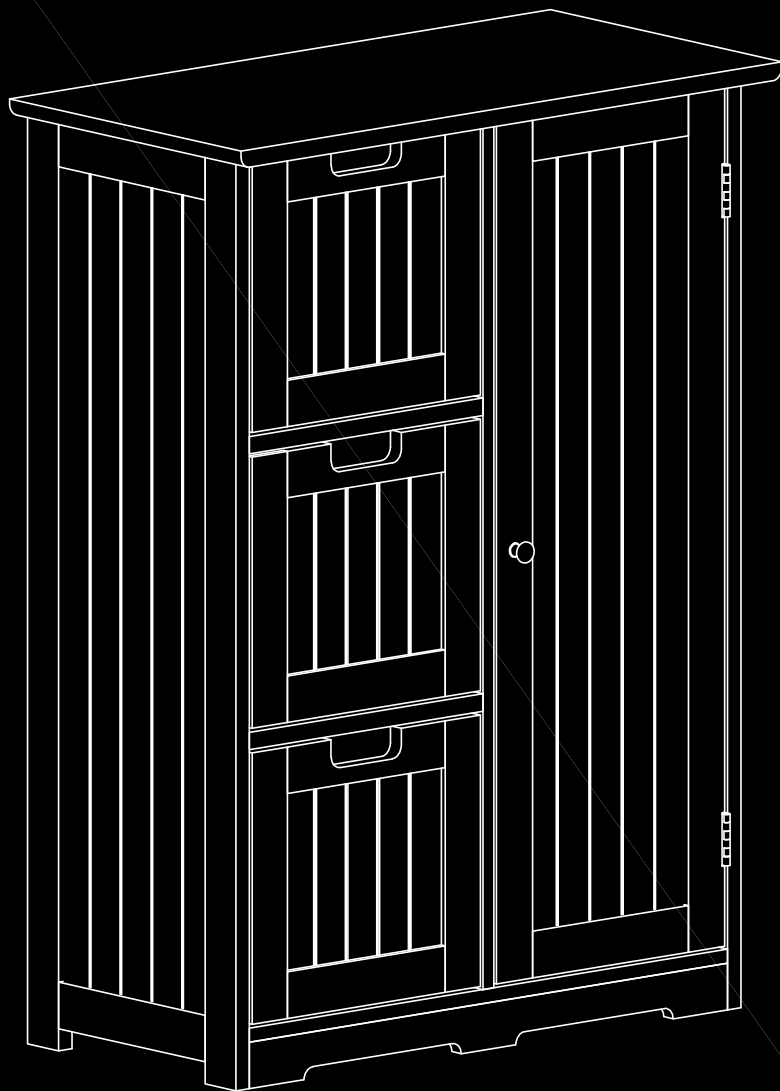
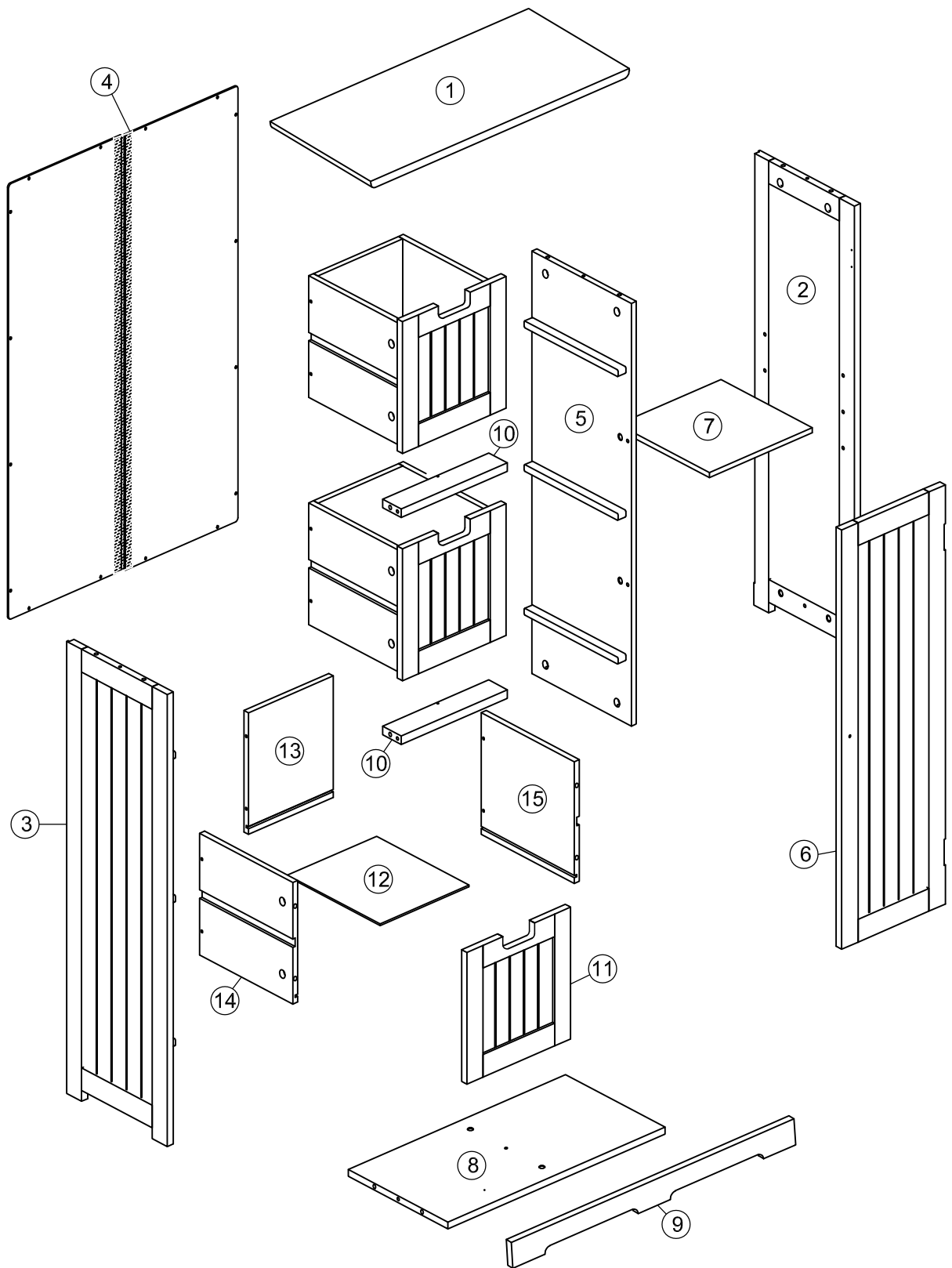


Storage cabinet

Instruction Manual



Part List Assembly Overview



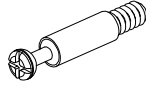
Hardware List

Ⓐ x14

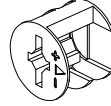


6*20mm

Ⓑ x28



Ⓒ x28

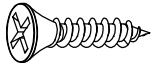


Ⓓ x12



4*50mm

Ⓔ x2



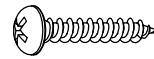
3.5*15mm

Ⓕ x12



3*12mm

Ⓖ x18



3.5*15mm

Ⓗ x2



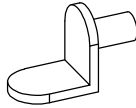
10*4*1mm

Ⓘ x12

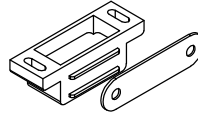


10*10mm

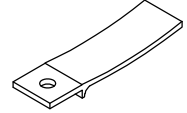
Ⓙ x4



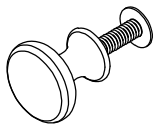
Ⓚ x1



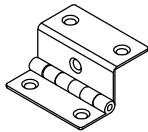
Ⓛ x3



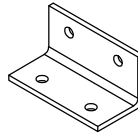
Ⓜ x1



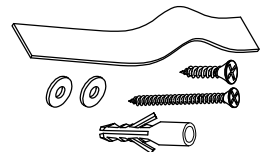
Ⓝ x2



Ⓞ x4



Ⓟ x2



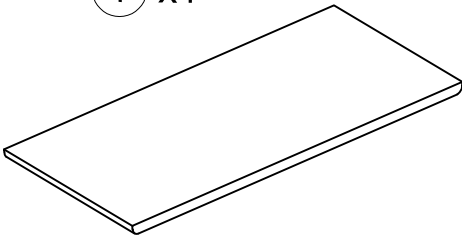
Ⓠ x19



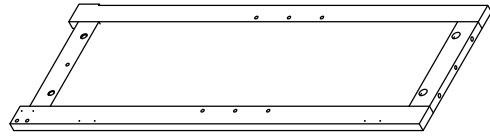
3.5*10mm

Parts List

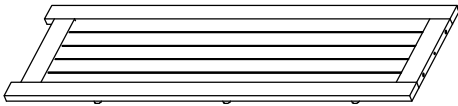
① x1



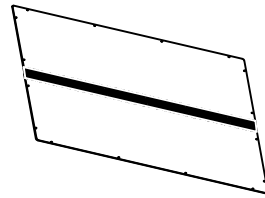
② x1



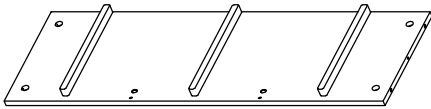
③ x1



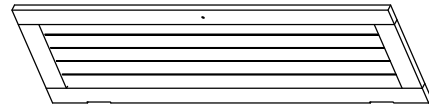
④ x1



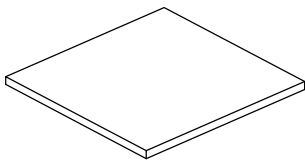
⑤ x1



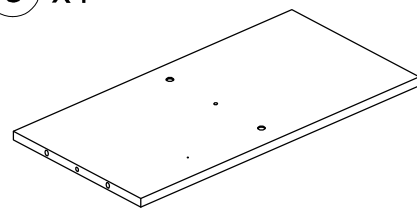
⑥ x1



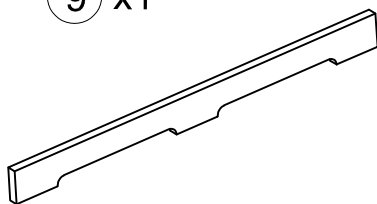
⑦ x1



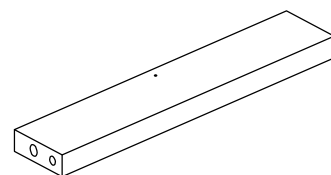
⑧ x1



⑨ x1

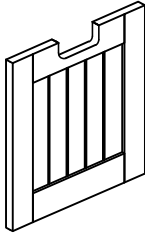


⑩ x2

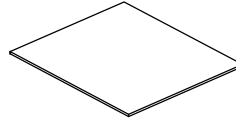


Parts List

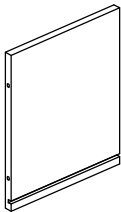
①① x3



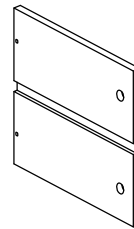
①② x3



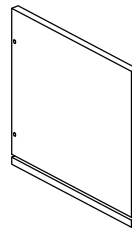
①③ x3




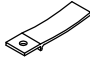
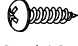
①④ x3

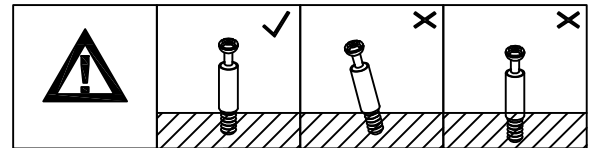
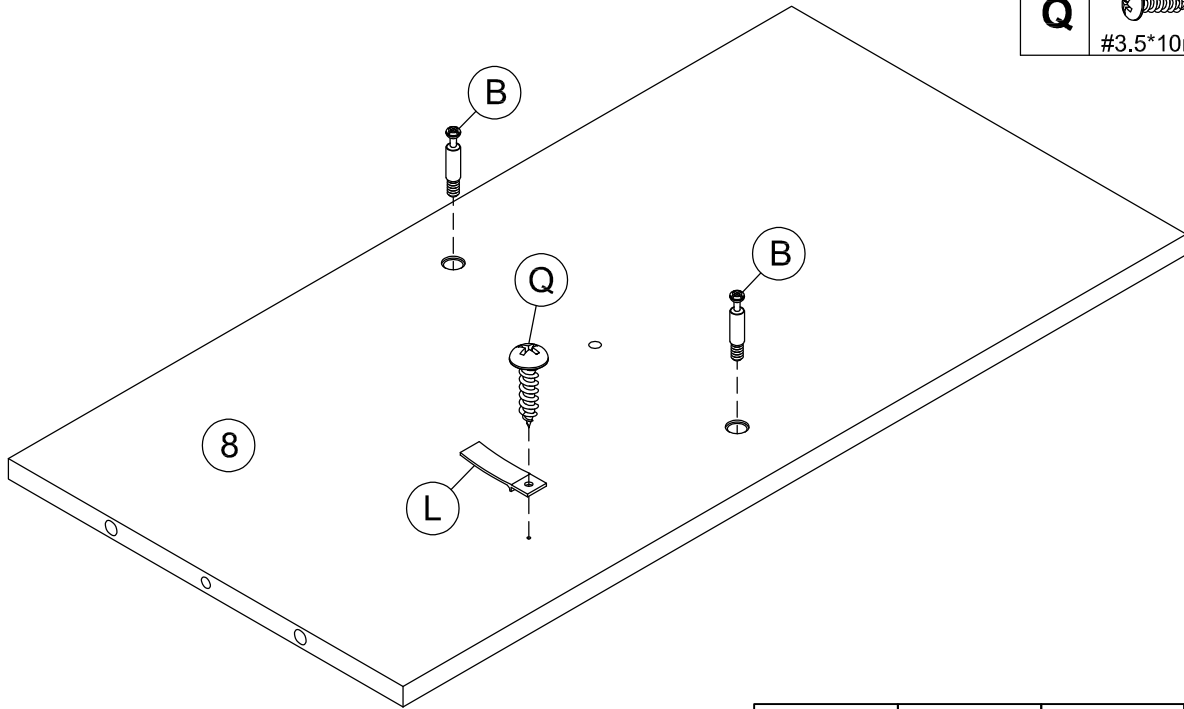


①⑤ x3




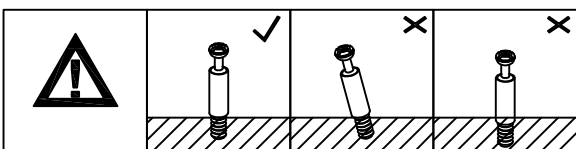
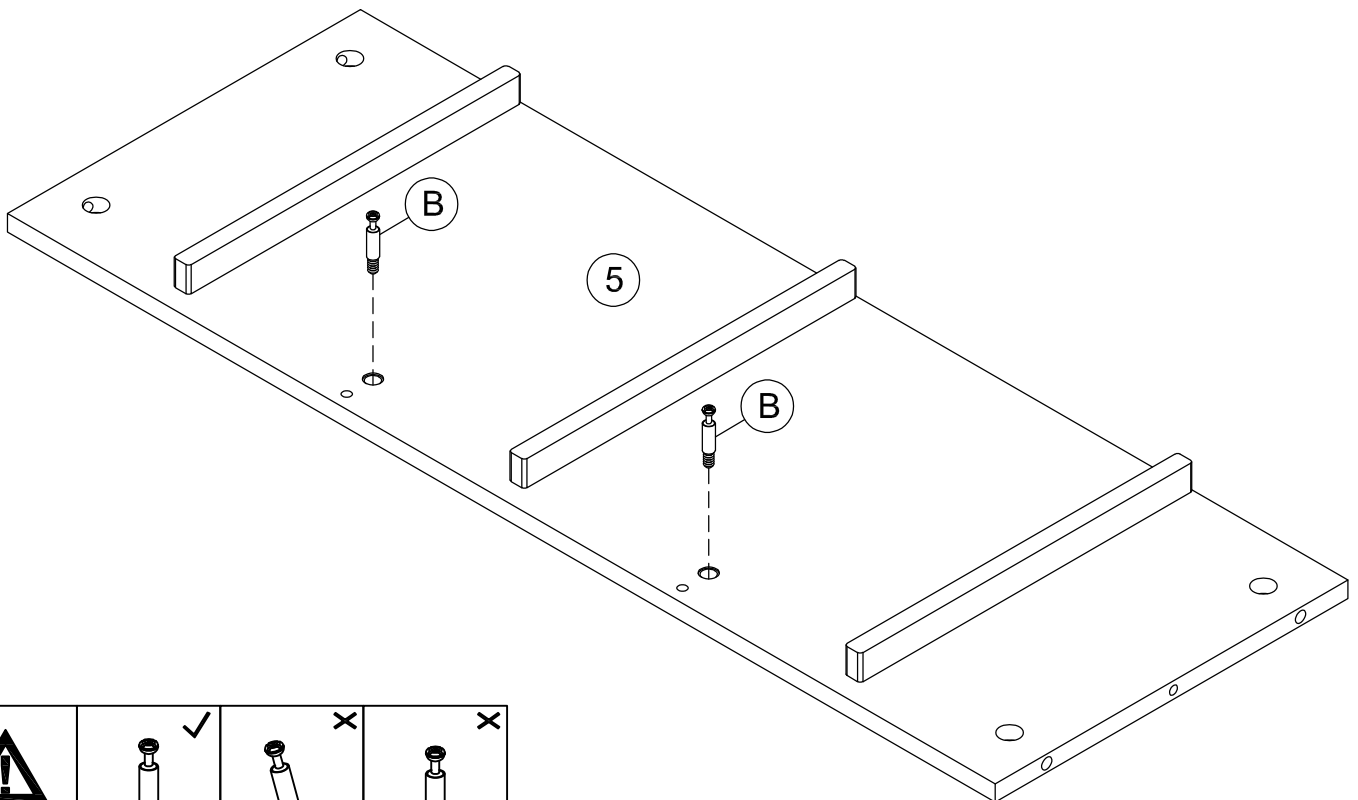
1

B		x2
L		x1
Q	 #3.5*10mm	x1





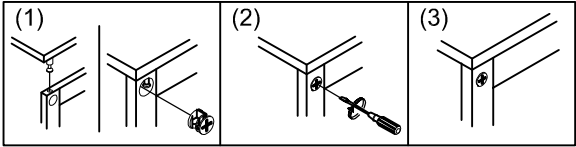
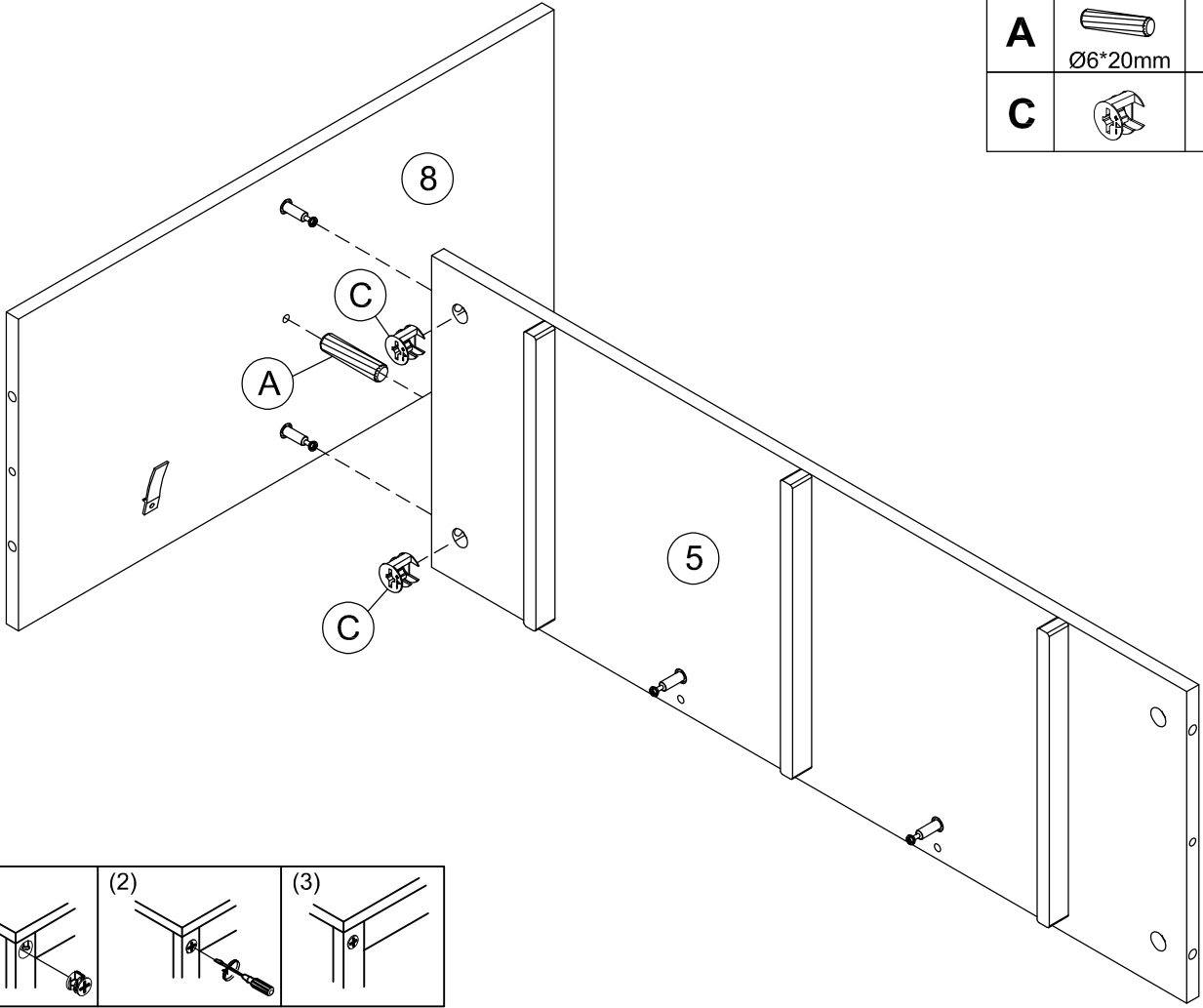
2

B		x2
----------	---	-----------

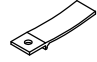



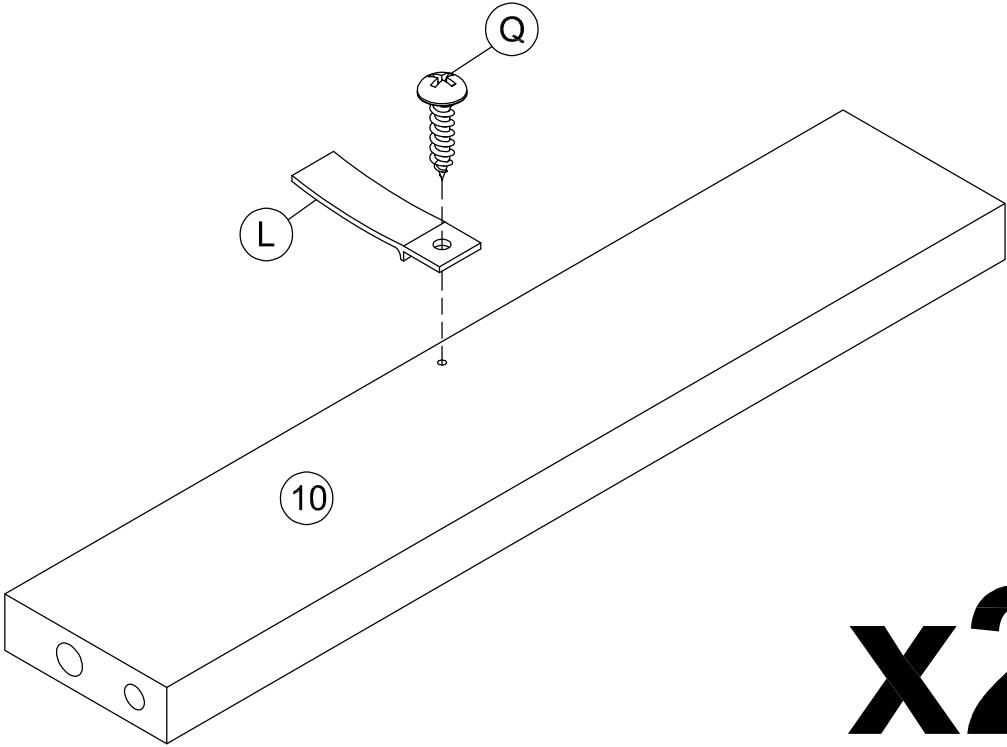
3

A	 Ø6*20mm	x1
C		x2





4

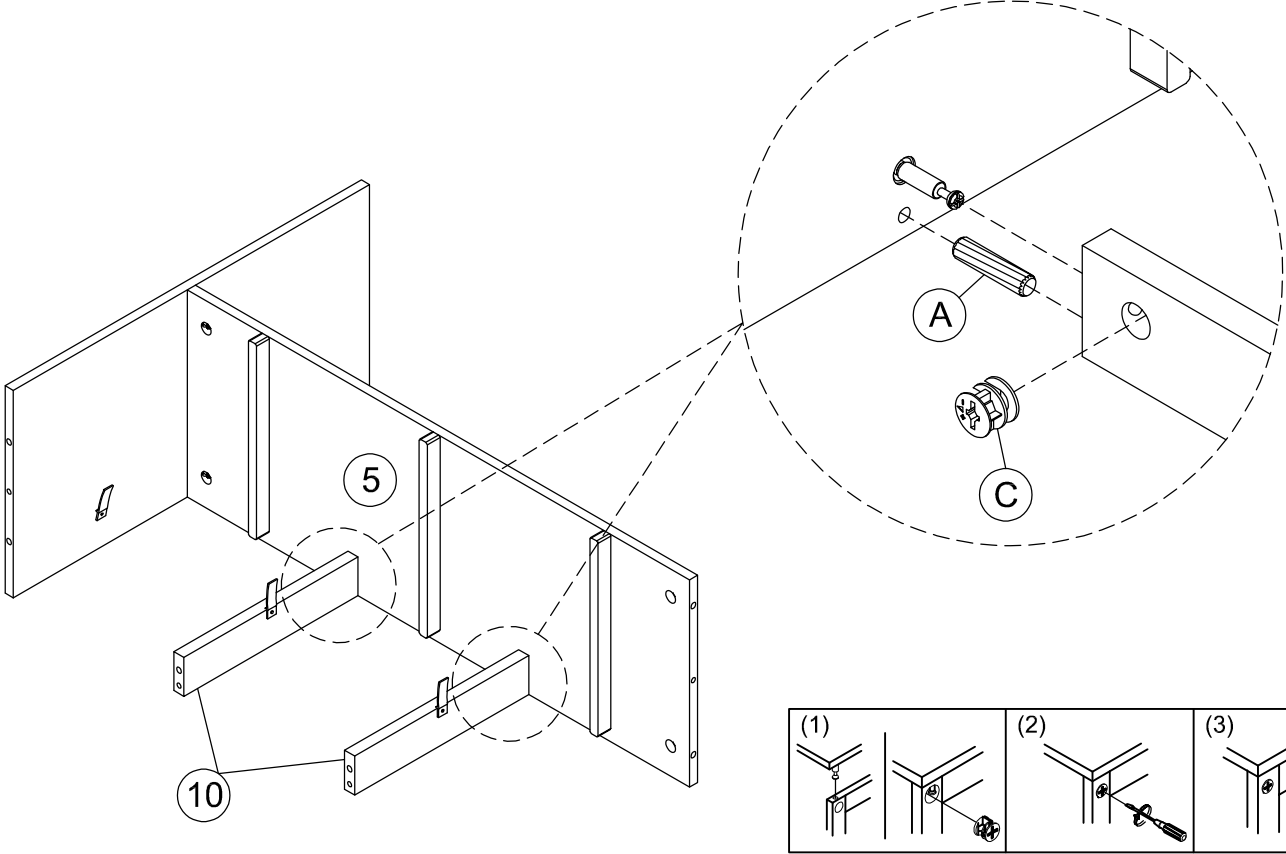
L		x2
Q	 #3.5*10mm	x2



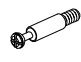
x2

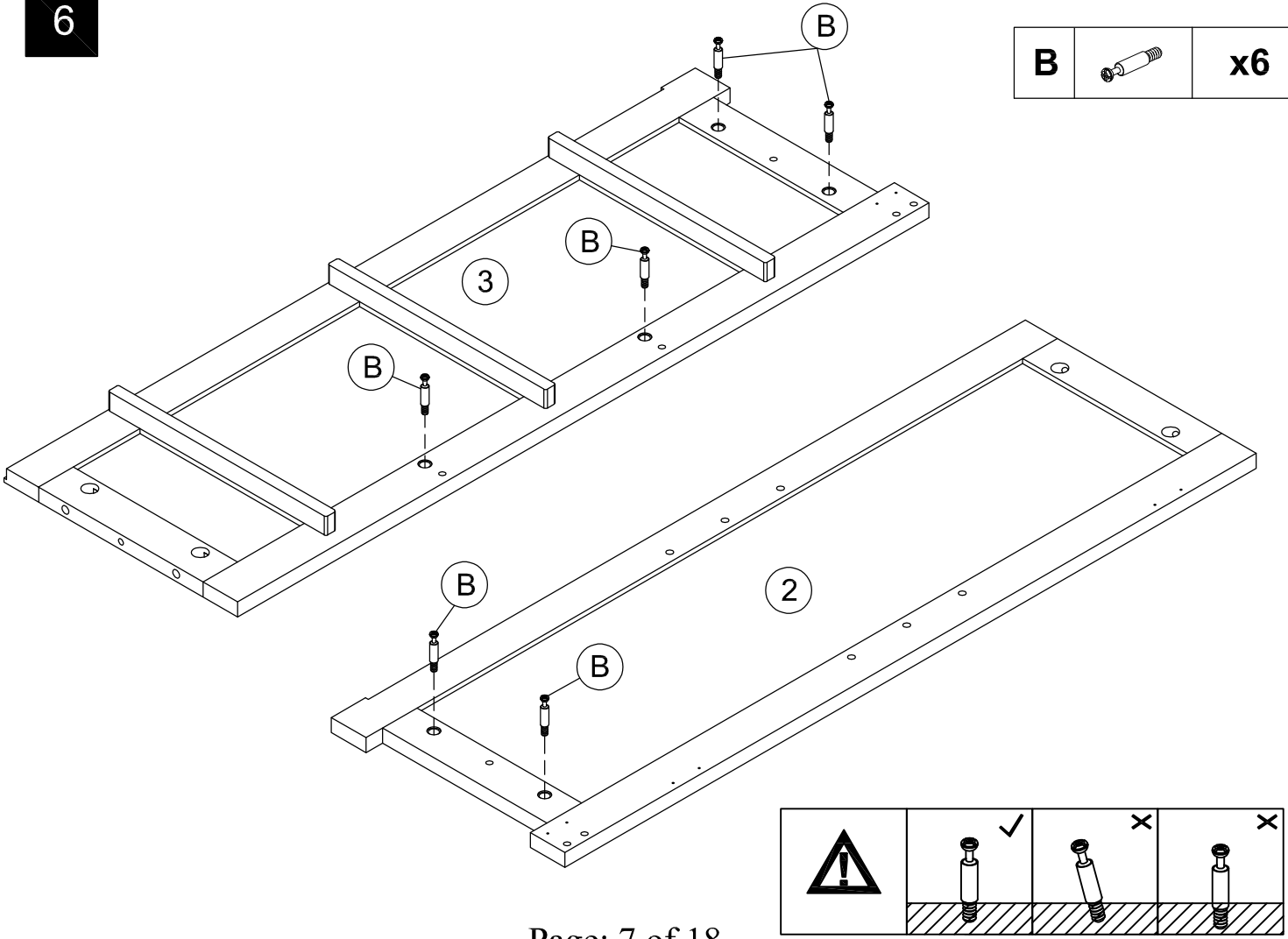
5

A	 Ø6*20mm	x2
C		x2

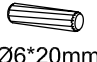



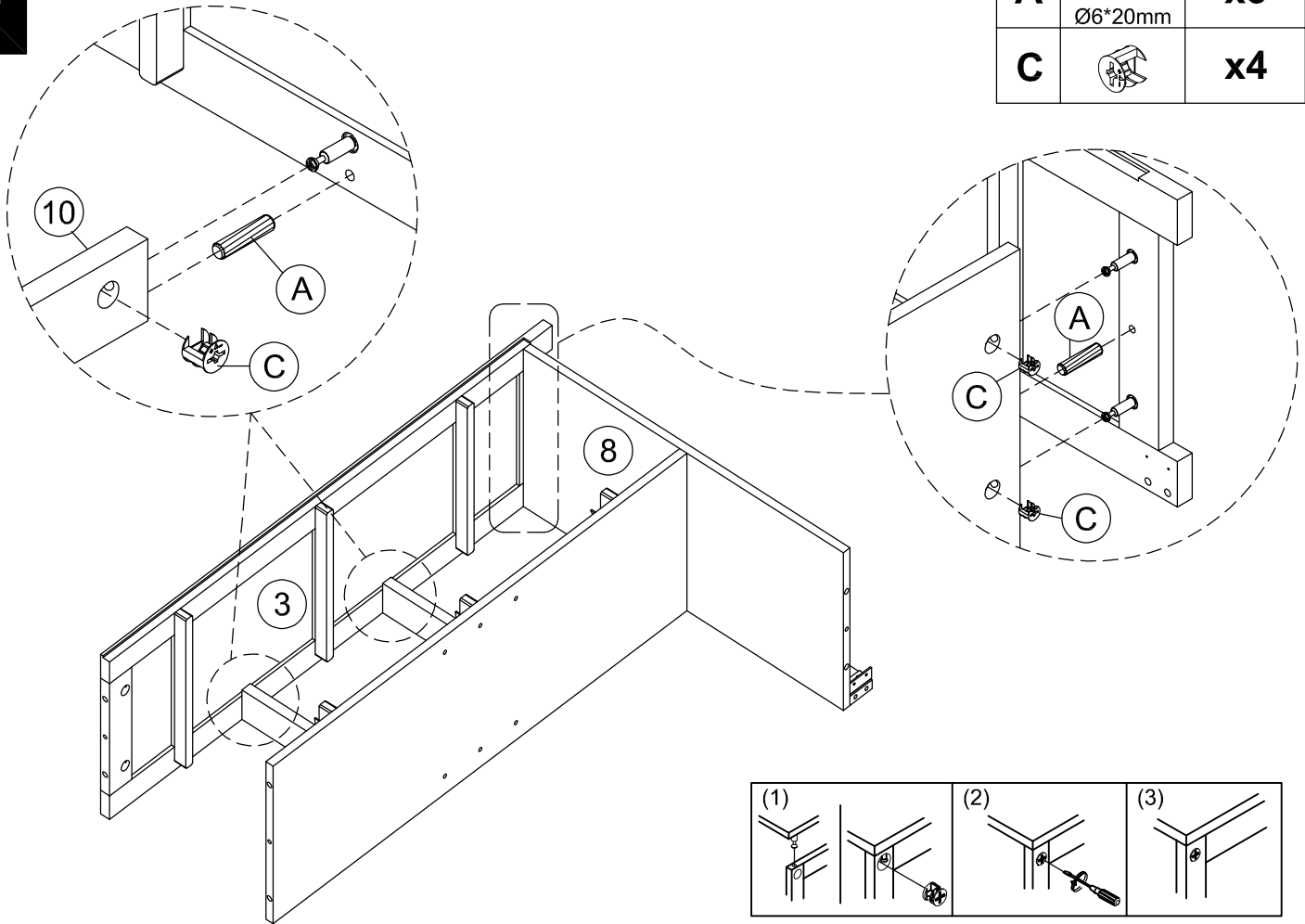
6

B		x6
----------	---	-----------

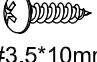
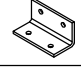


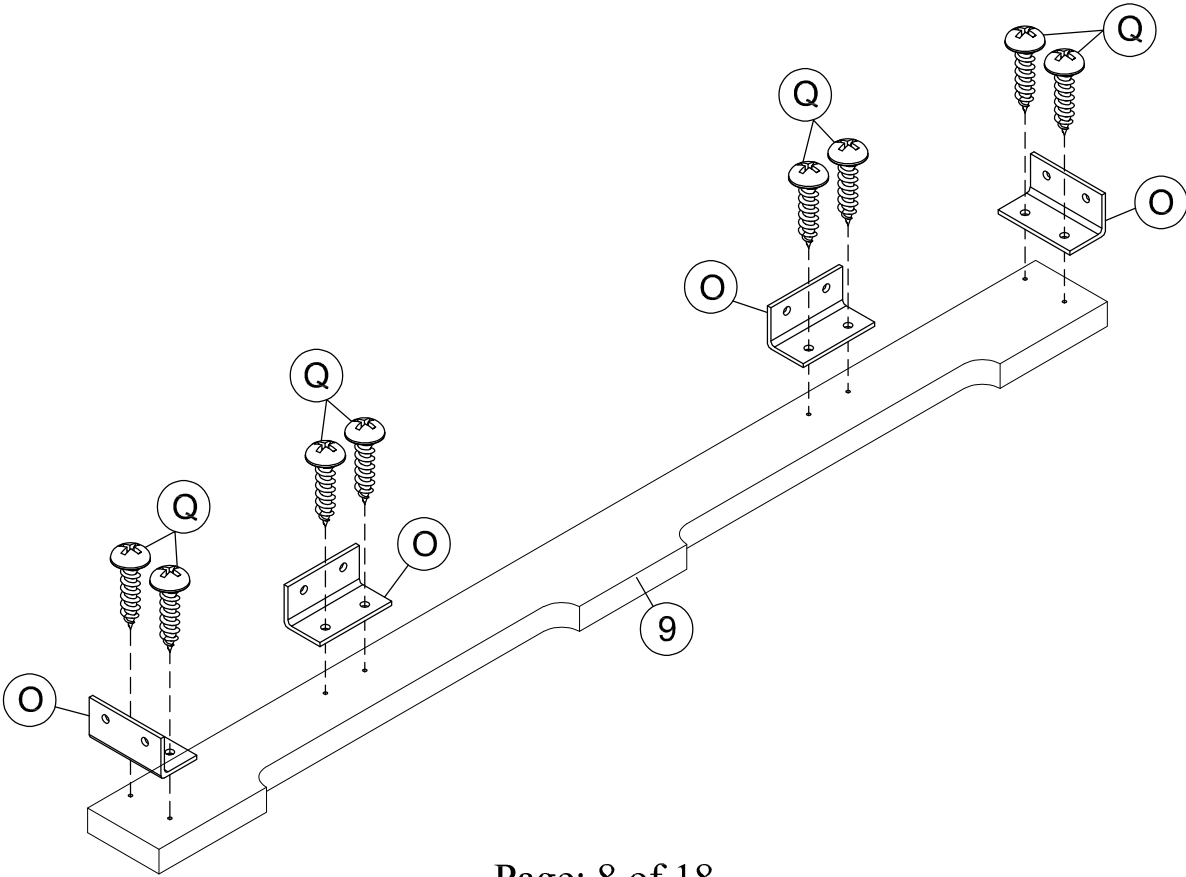
7

A	 Ø6*20mm	x3
C		x4




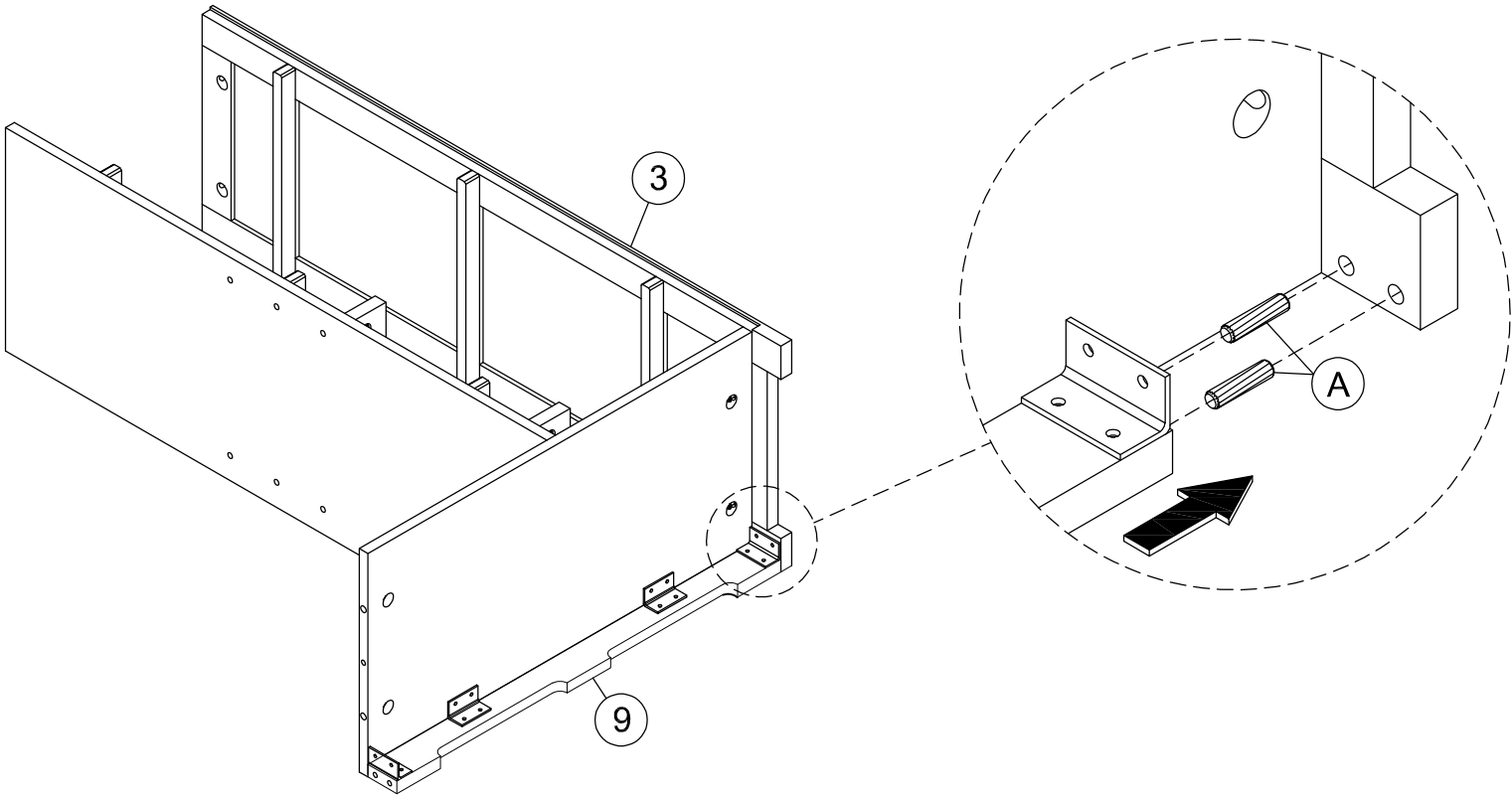
8

Q	 #3.5*10mm	x8
O		x4




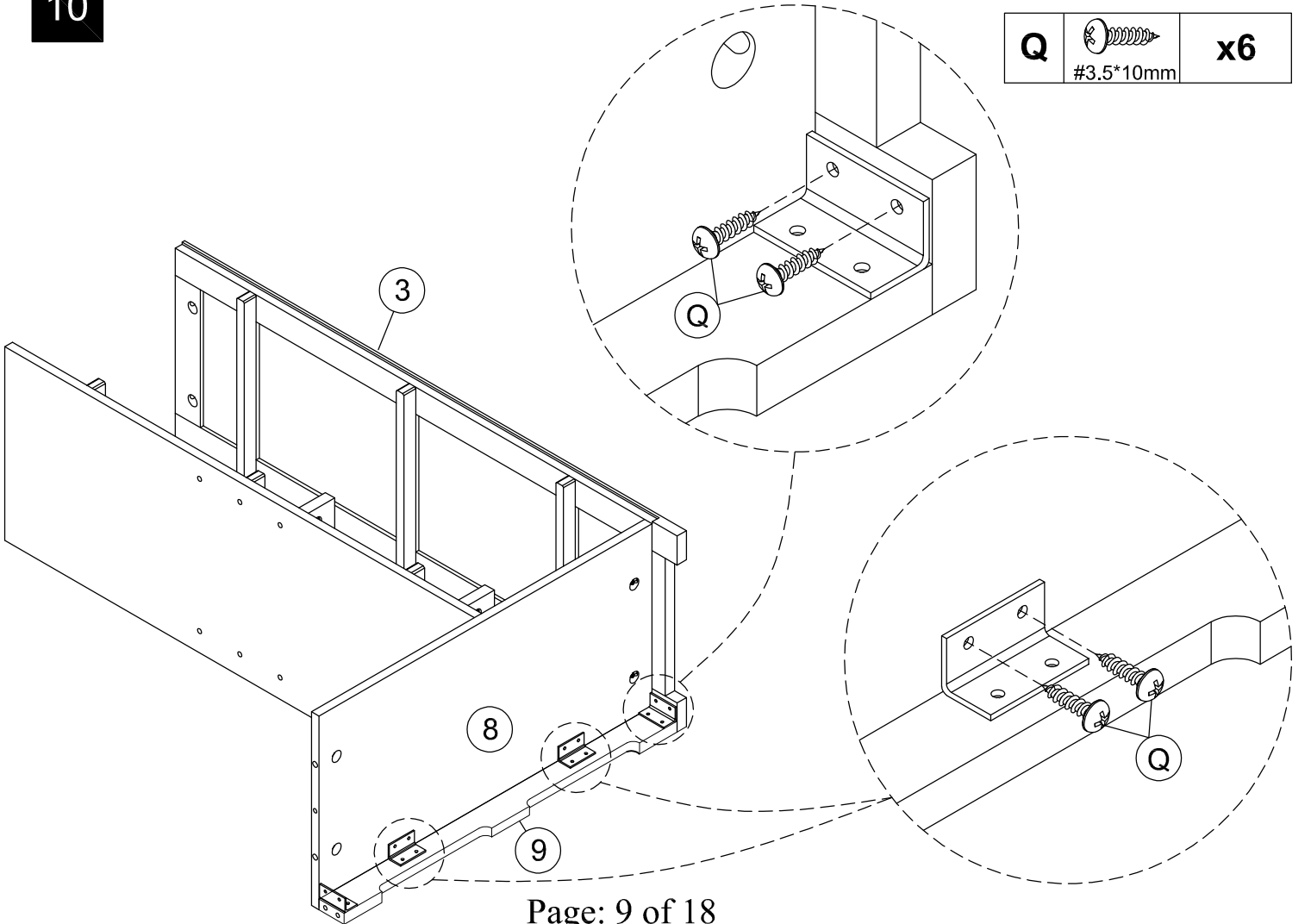
9

A		x2
	Ø6*20mm	

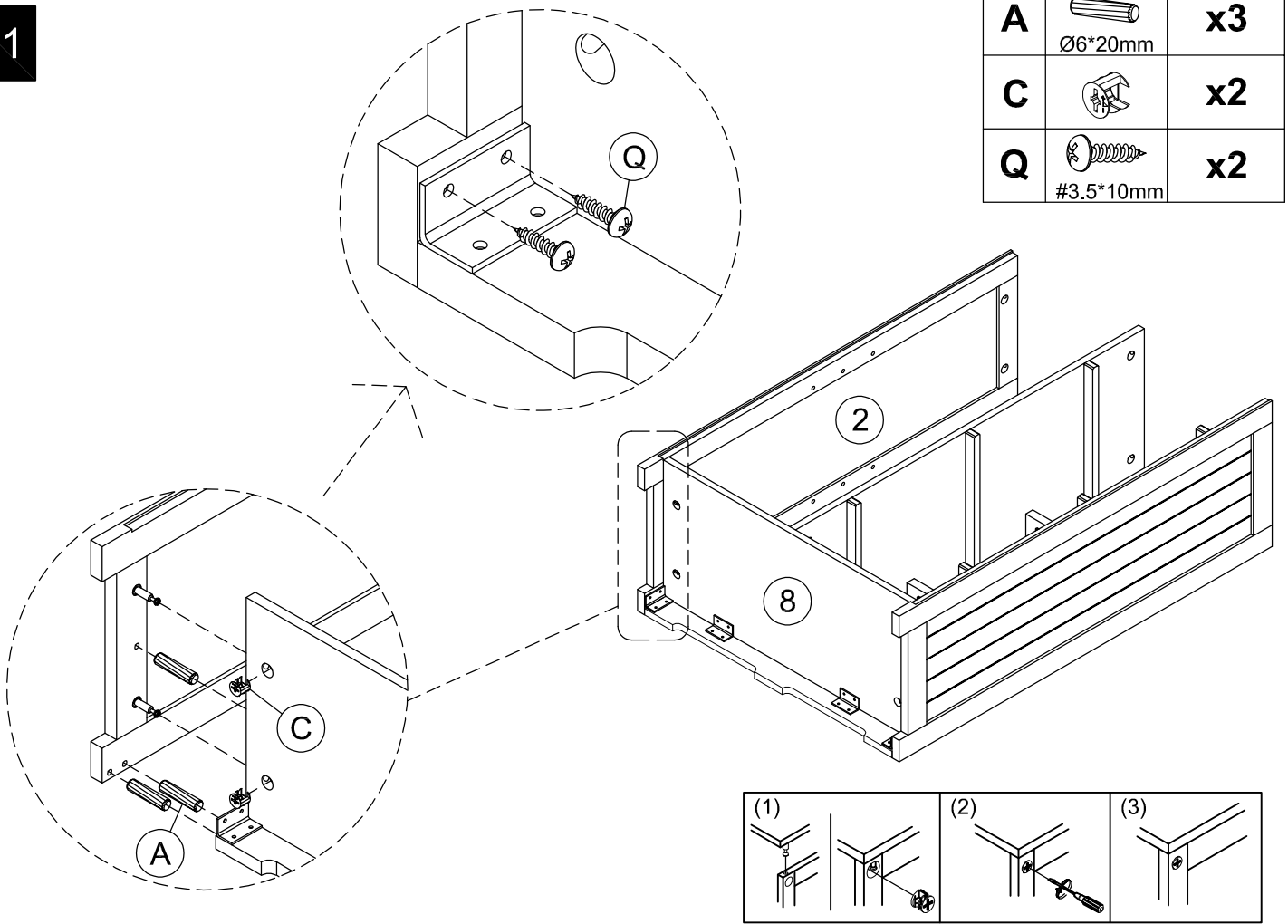


10

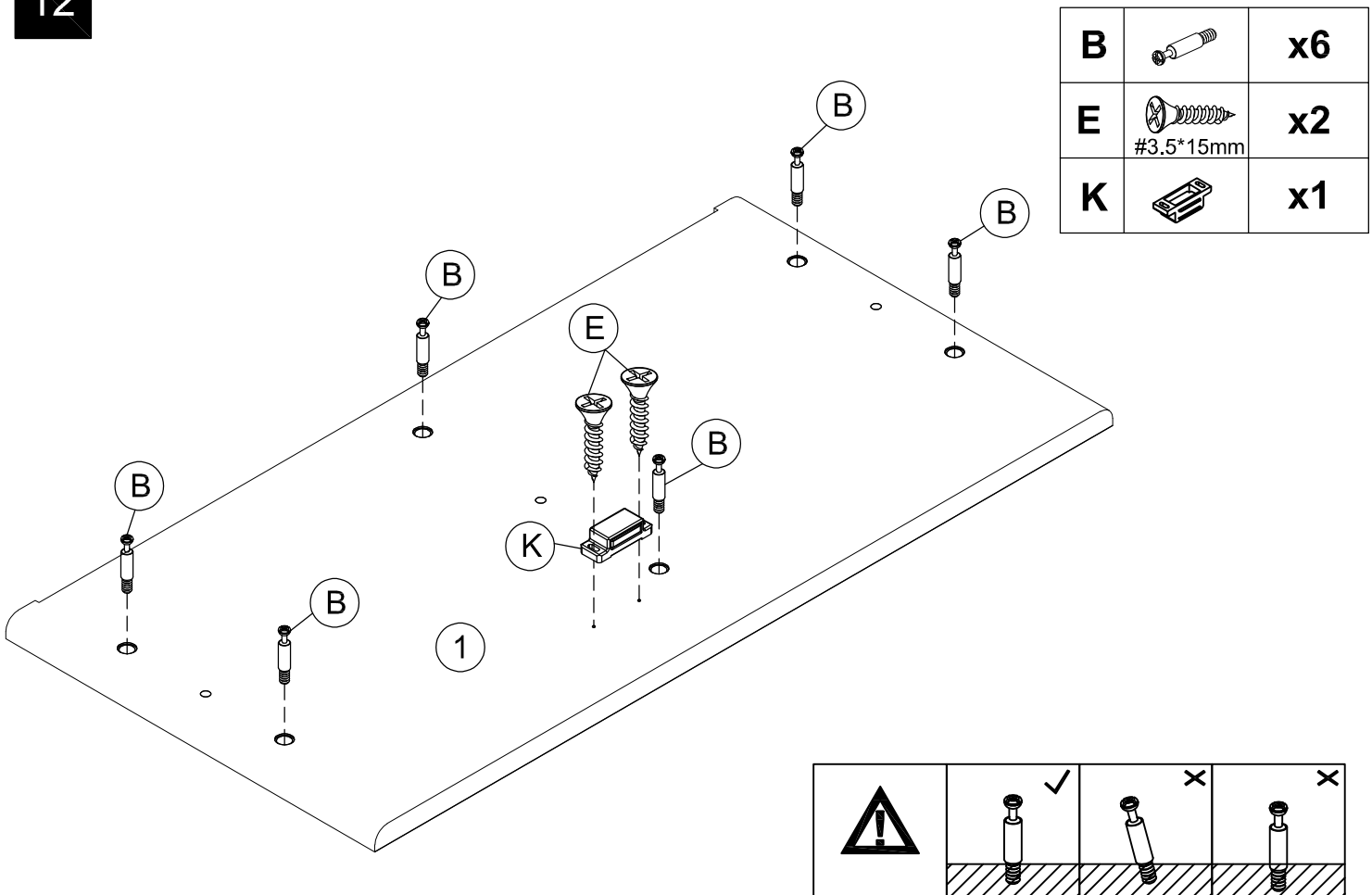
Q		x6
	#3.5*10mm	





11

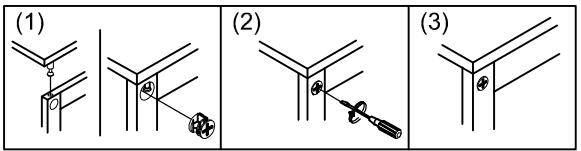
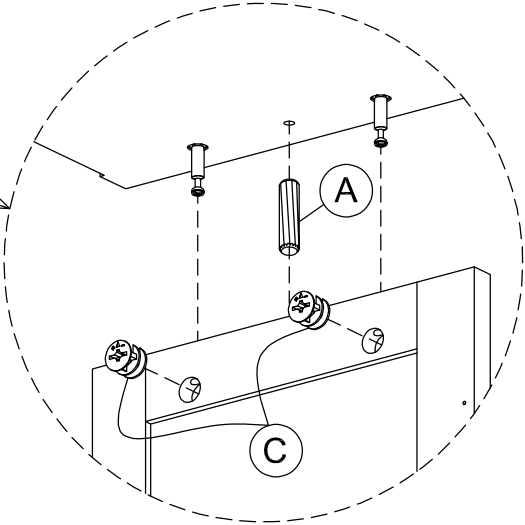
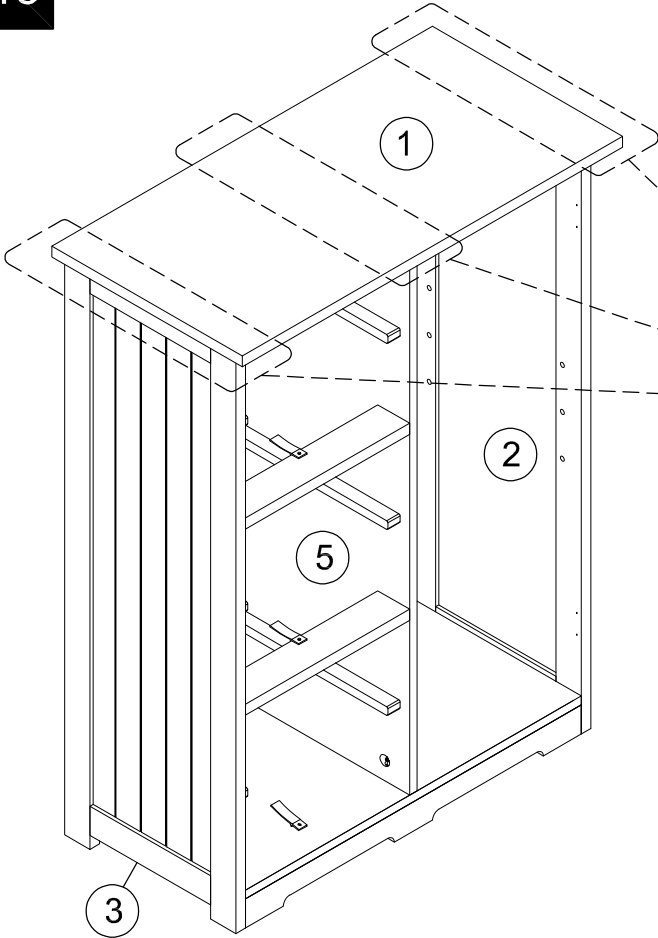


12




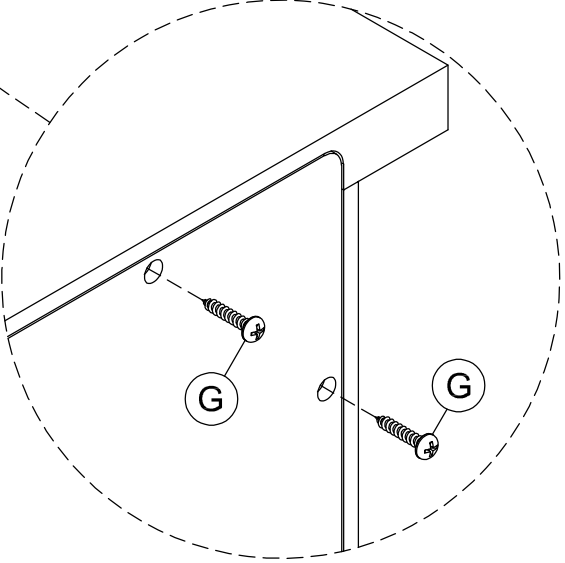
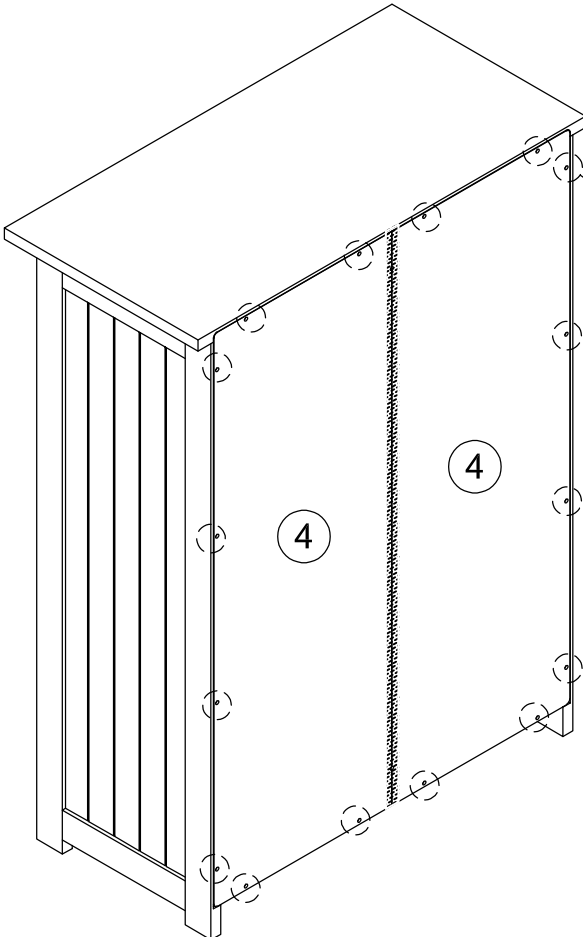
13

A	 Ø6*20mm	x3
C		x6

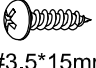



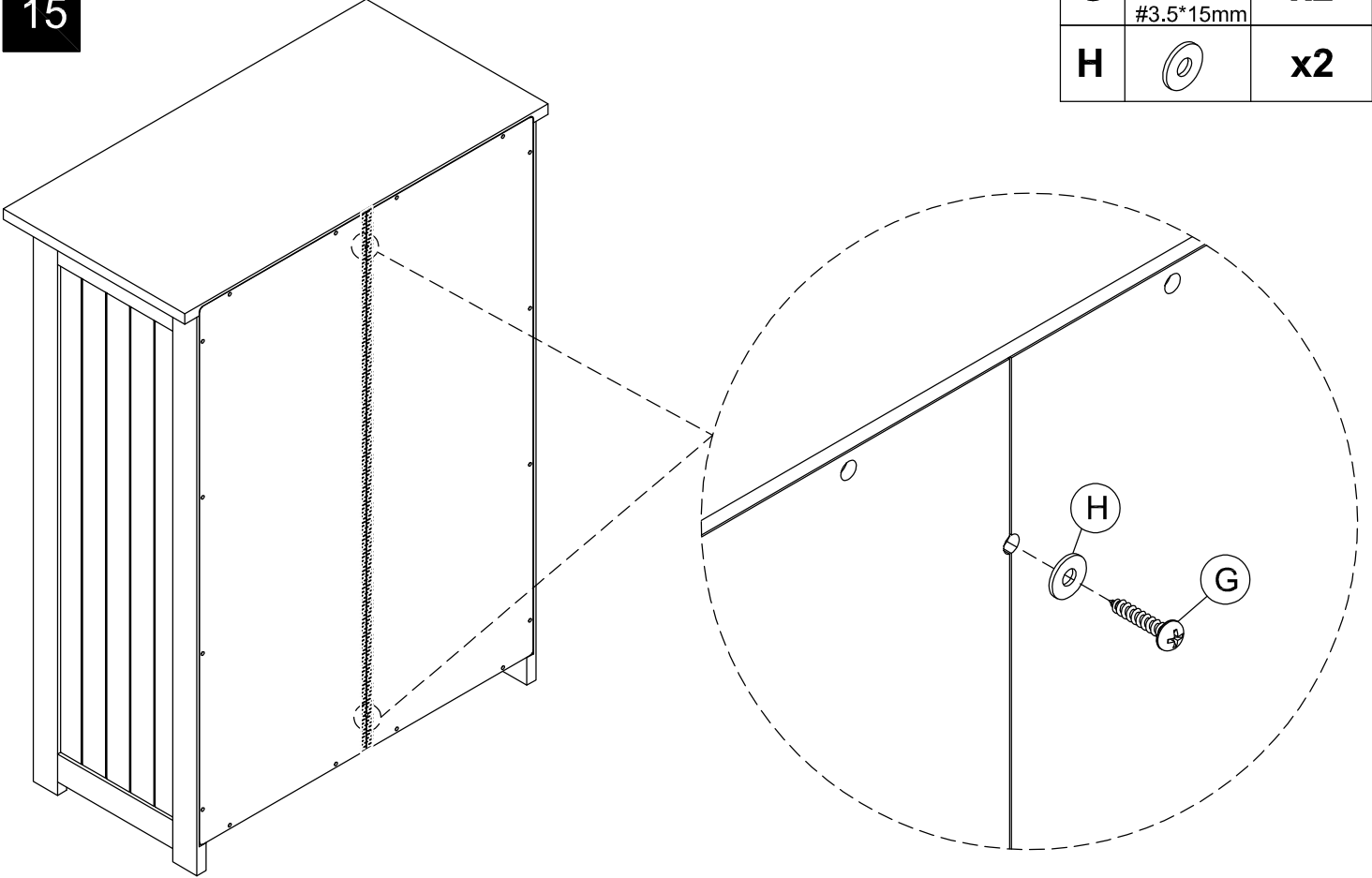
14

G	 #3.5*15mm	x16
----------	--	------------

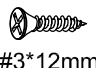




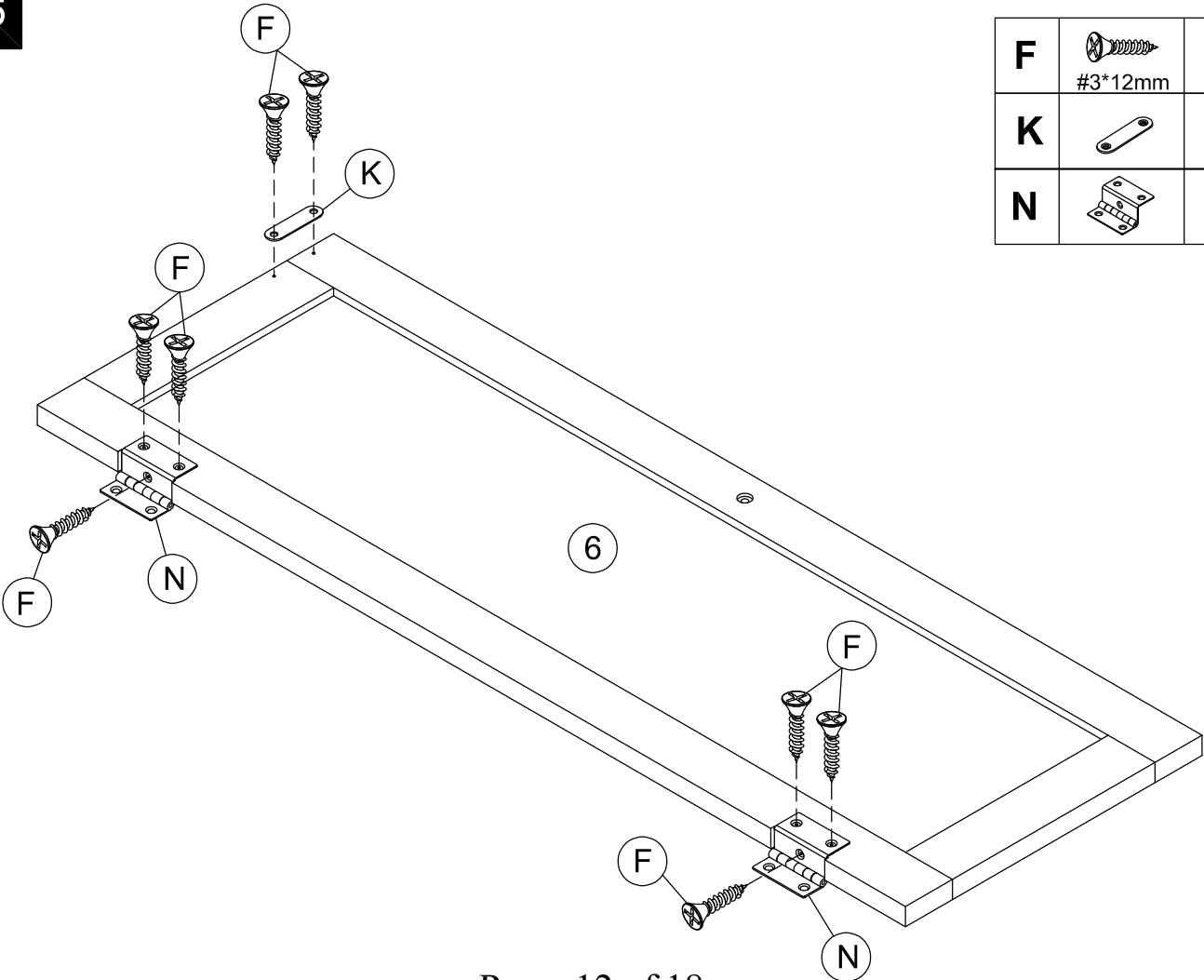
15

G	 #3.5*15mm	x2
H		x2




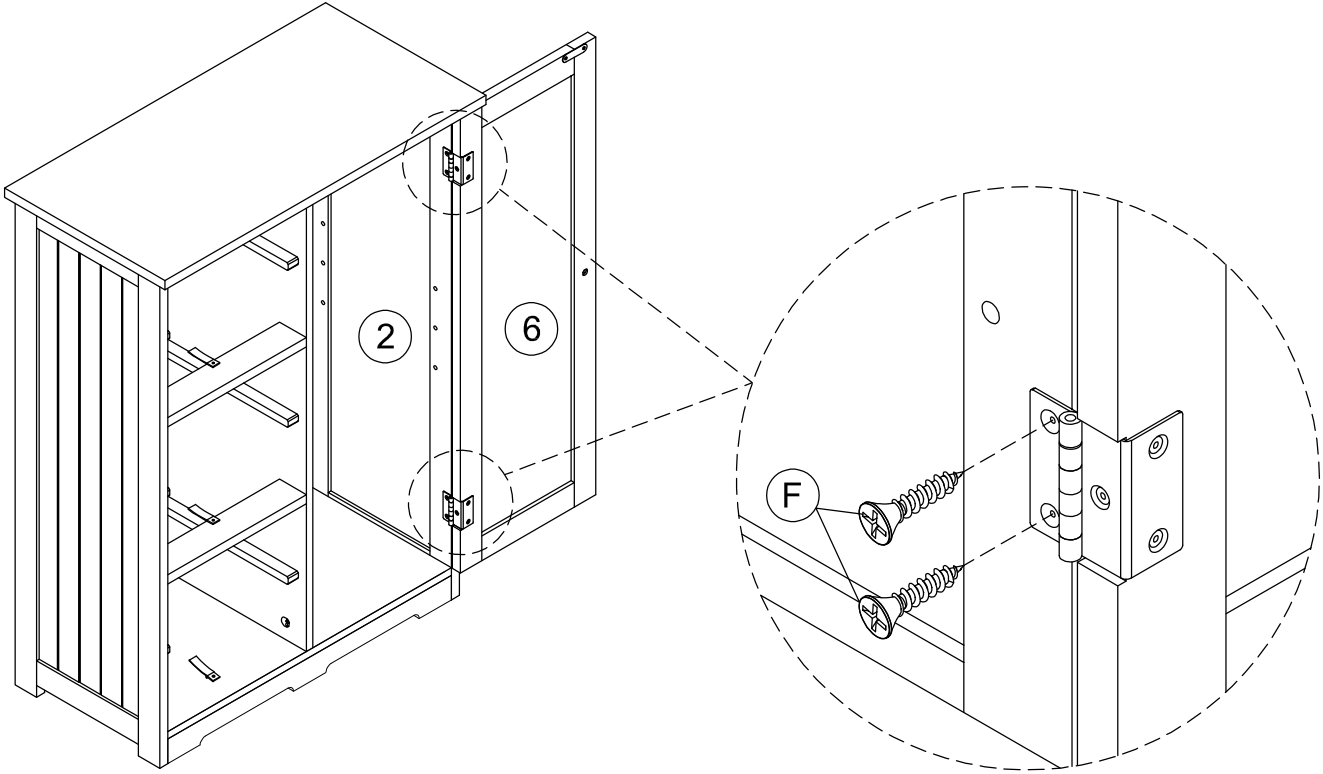
16

F	 #3*12mm	x8
K		x1
N		x2




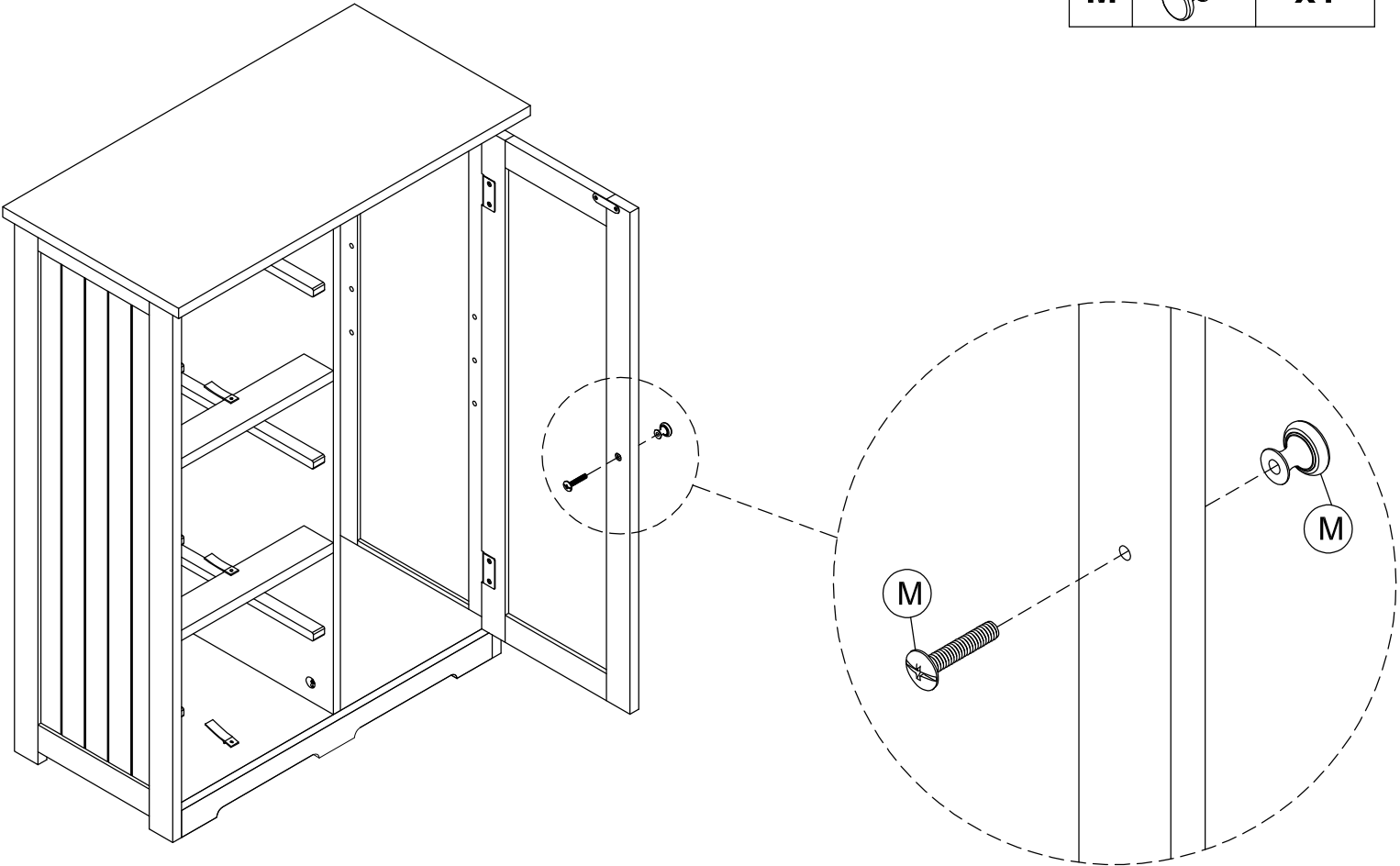
17

F		x4
#3*12mm		




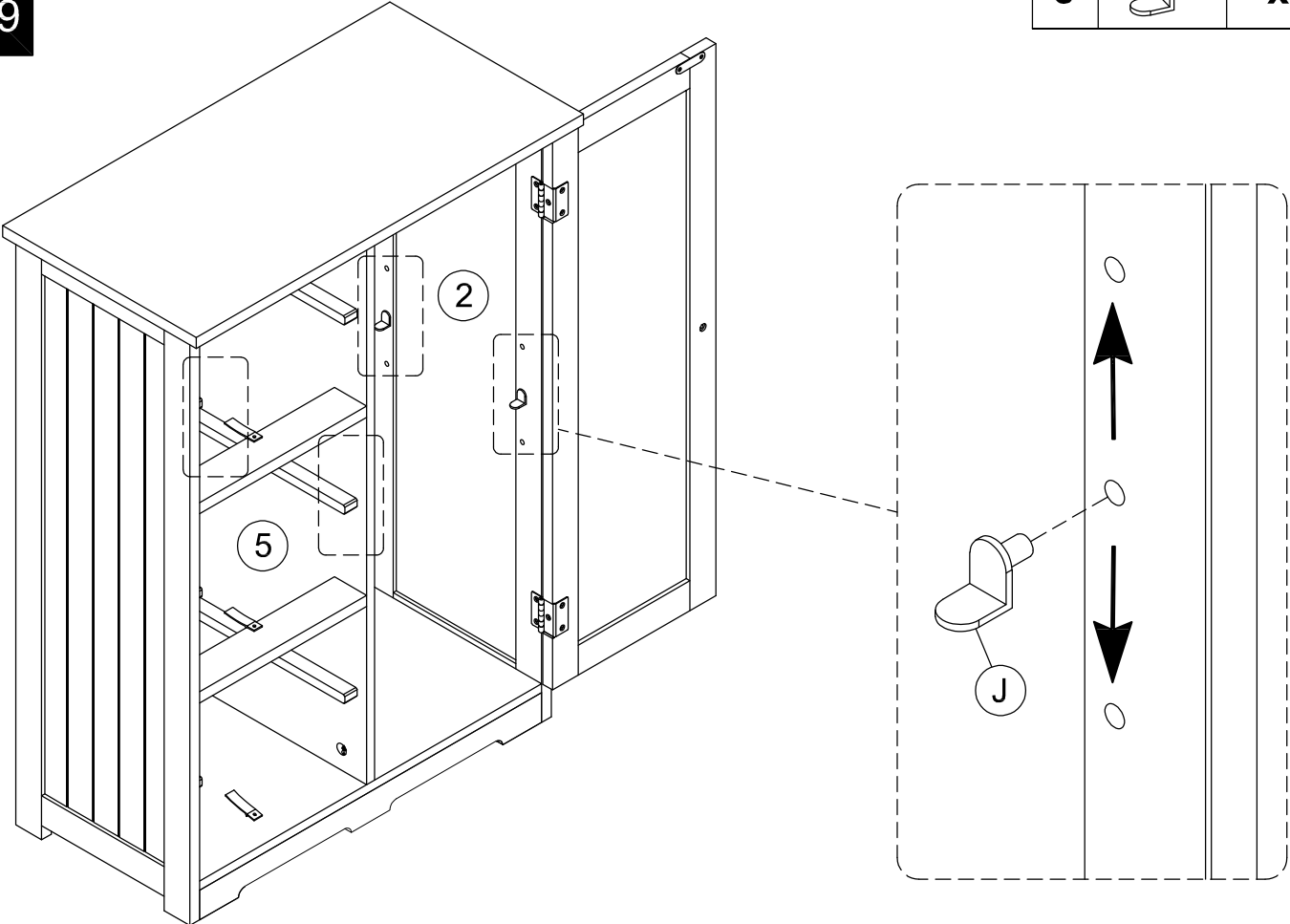
18

M		x1
----------	---	-----------

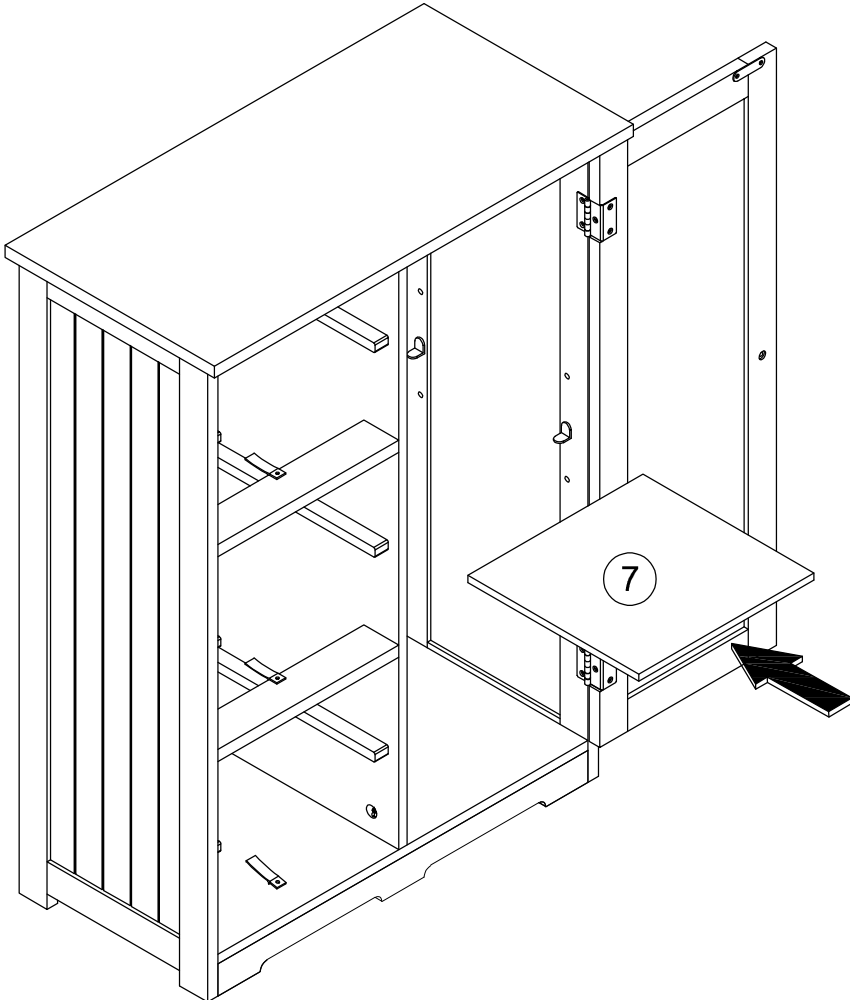


19

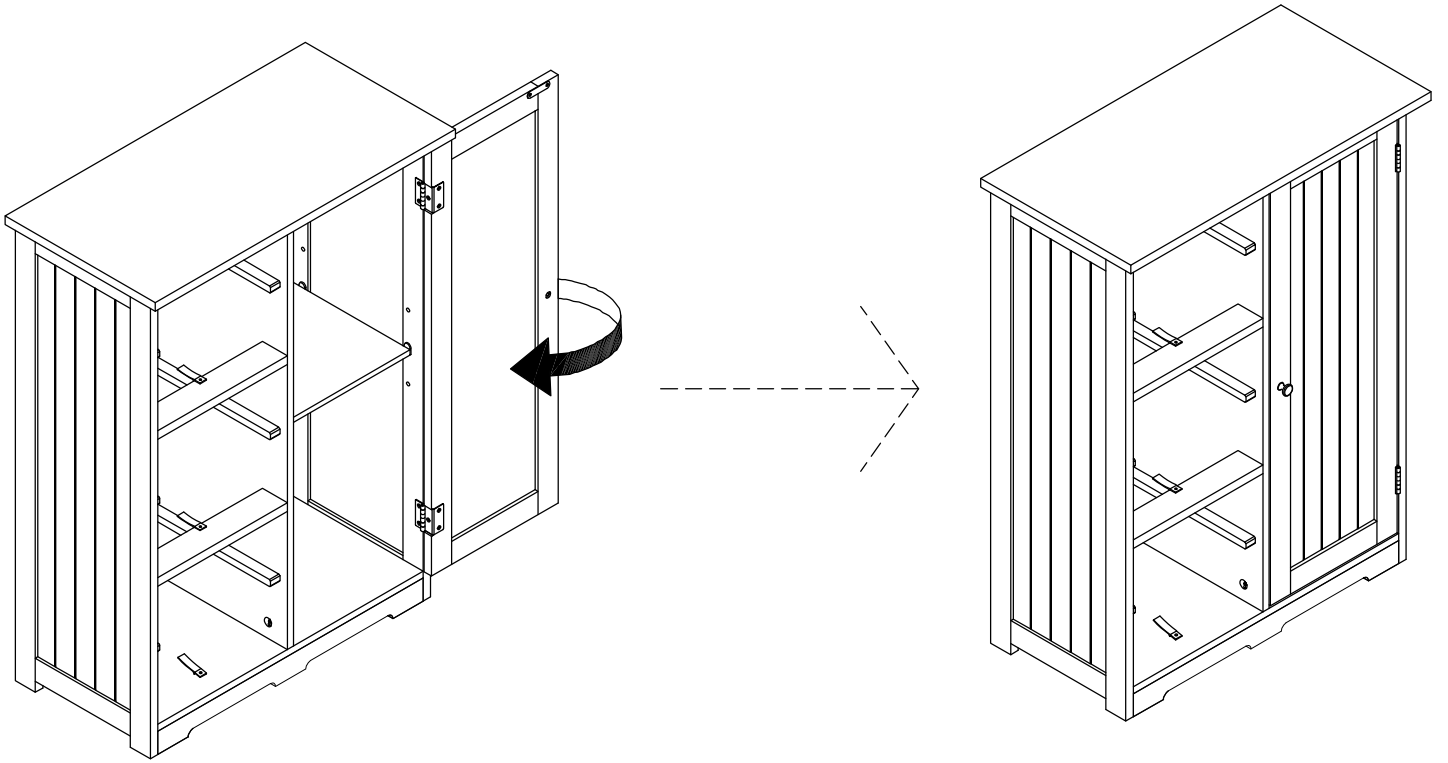
J		x4
----------	--	-----------



20




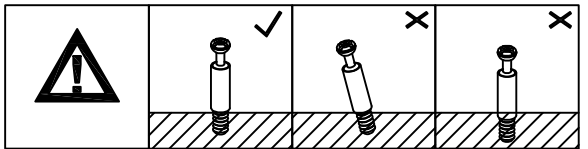
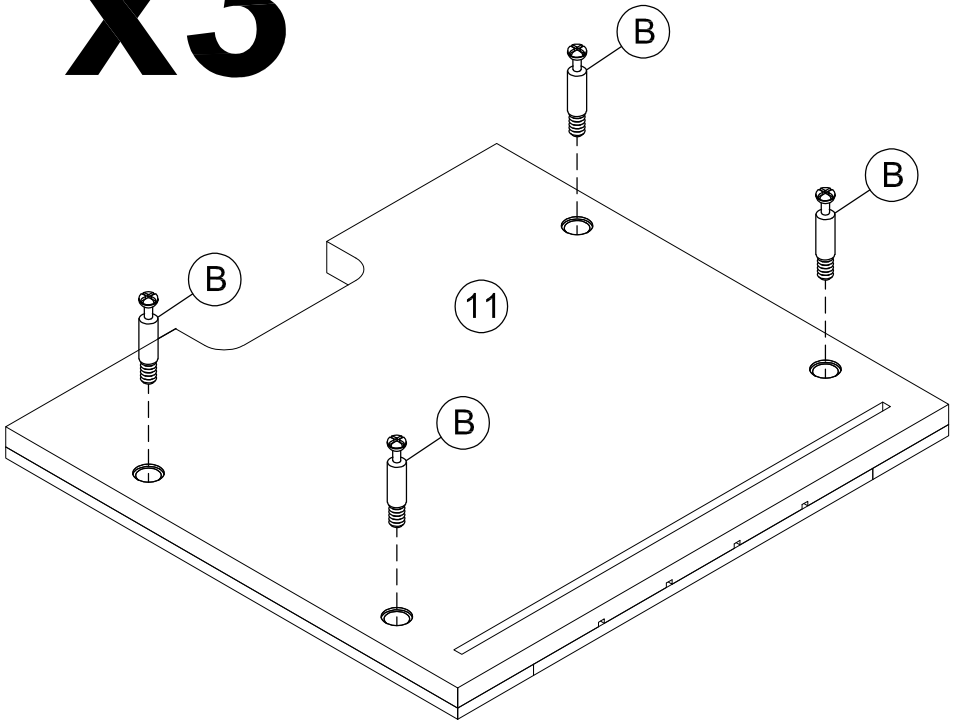
21





22

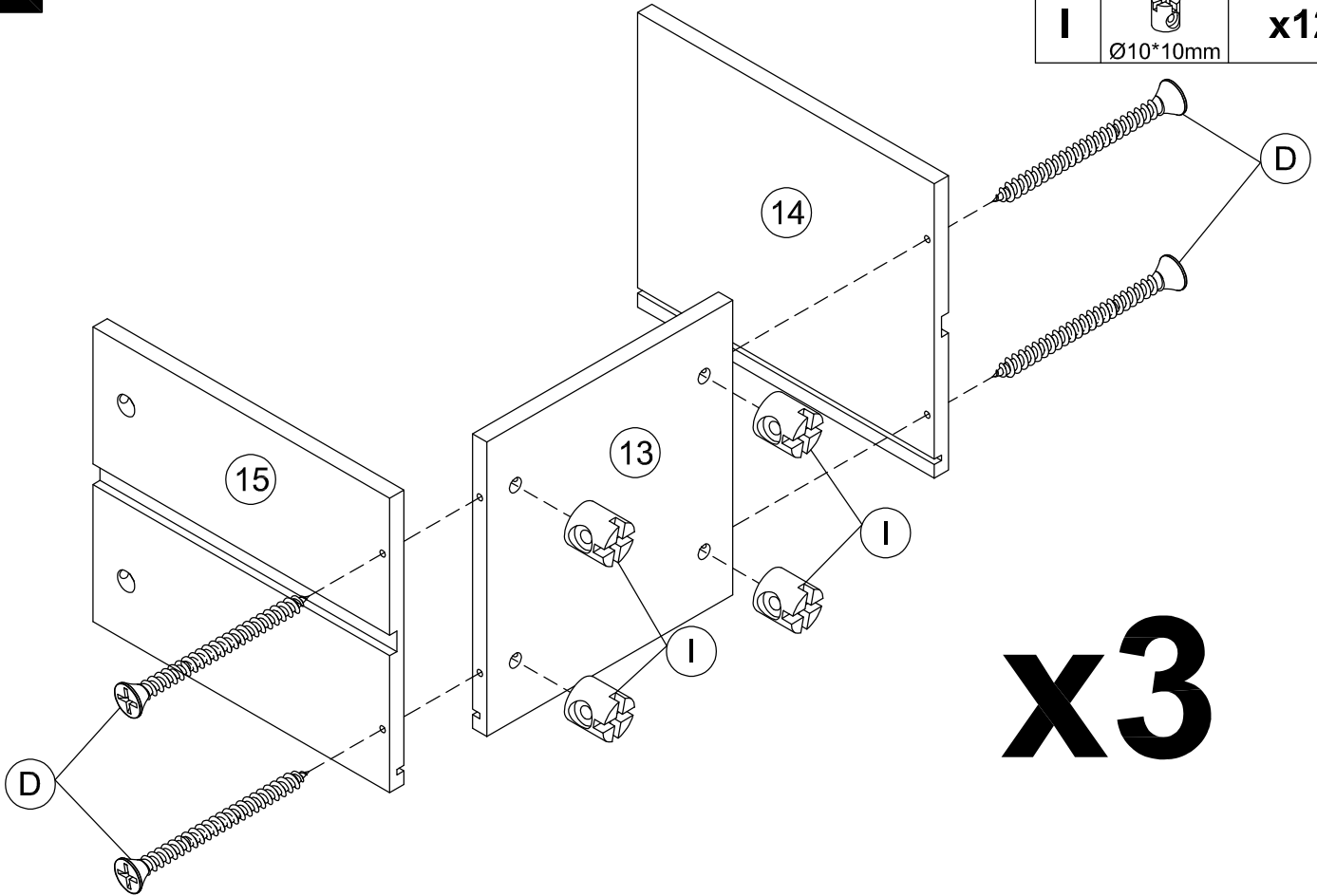
x3

B		x12
----------	---	------------



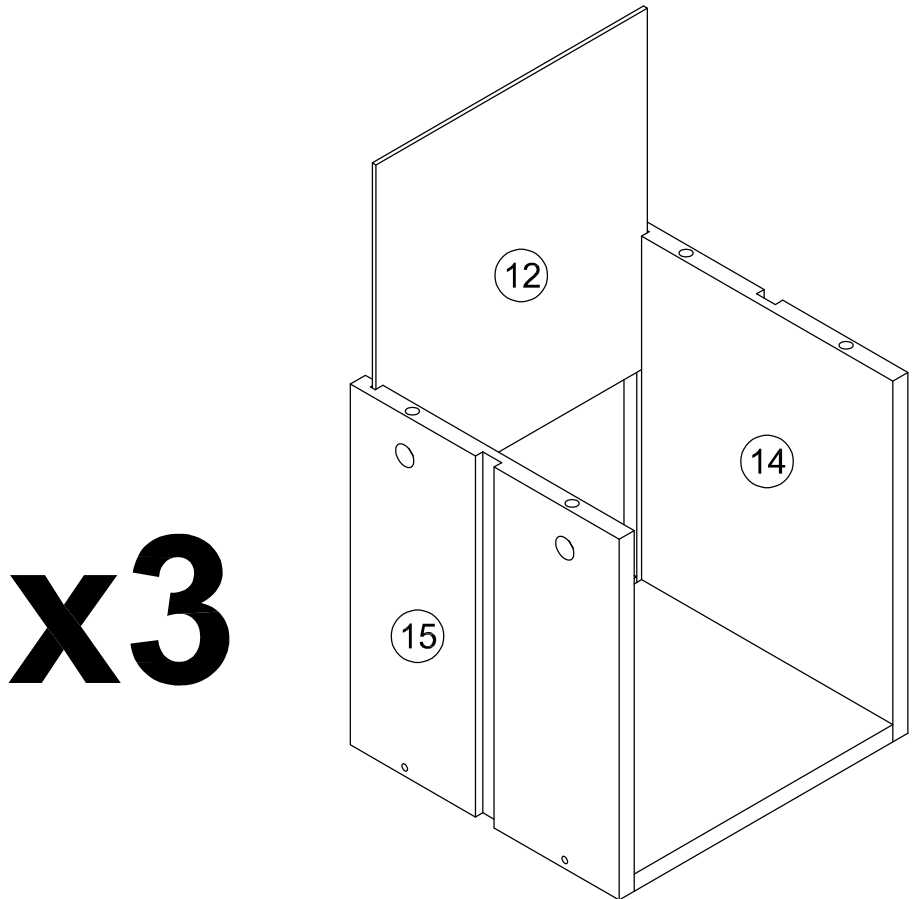
23

D	 #4*50mm	x12
I	 Ø10*10mm	x12

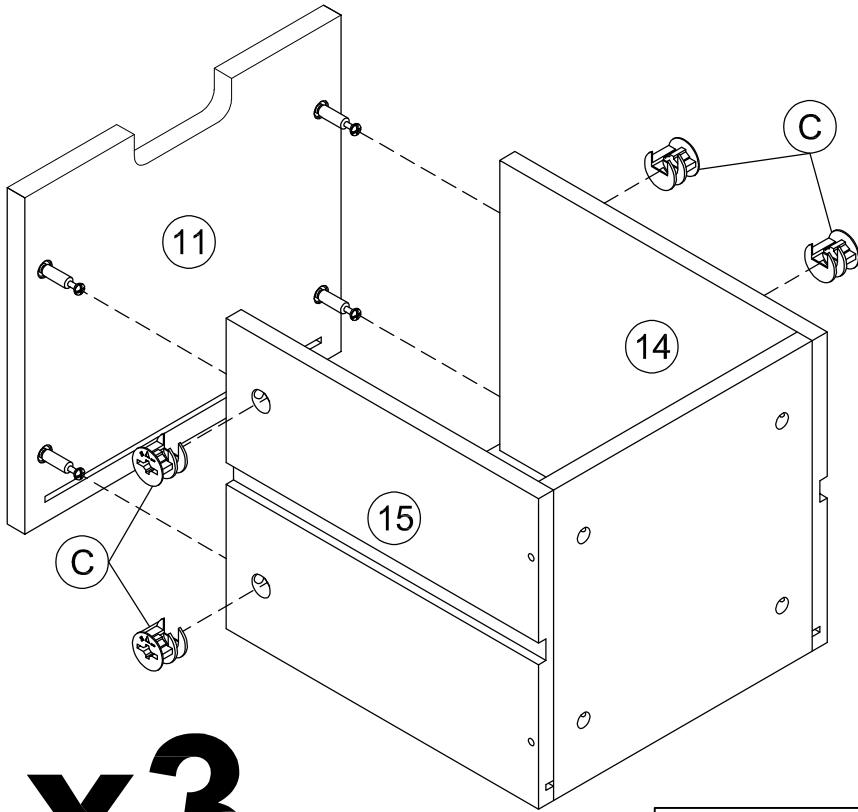


x3

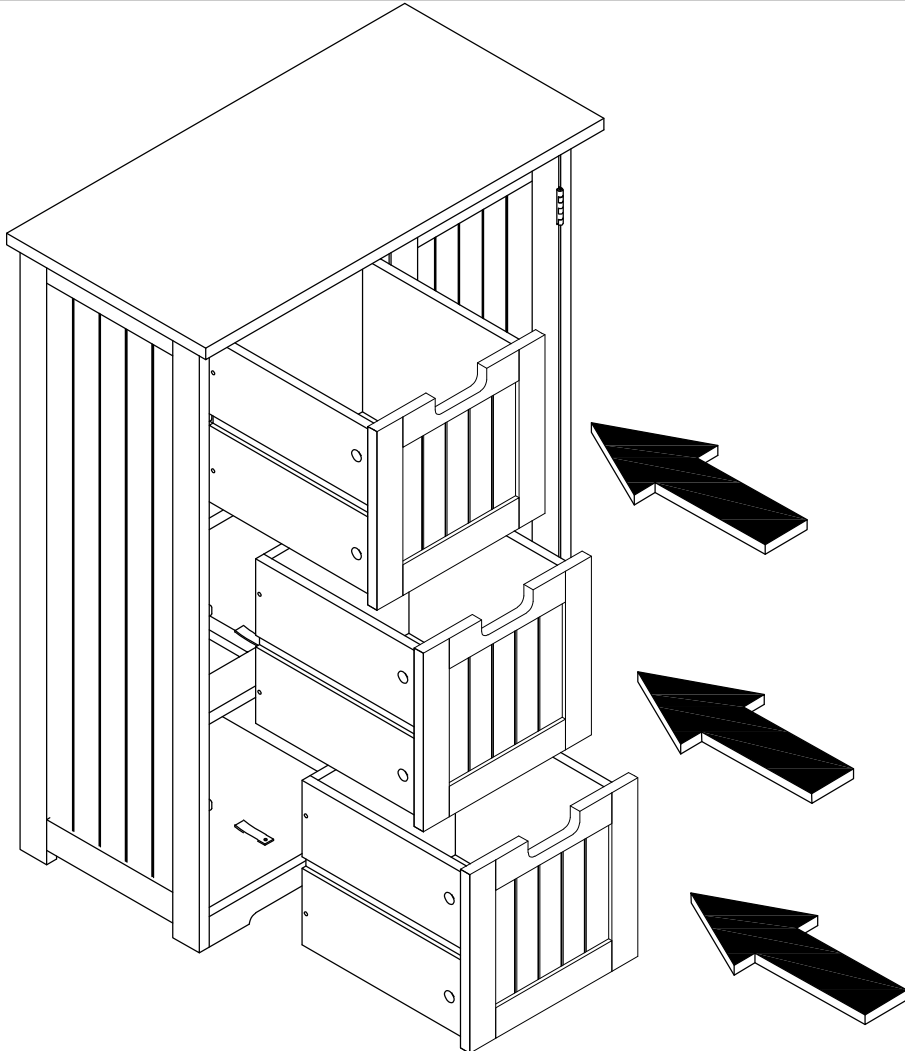
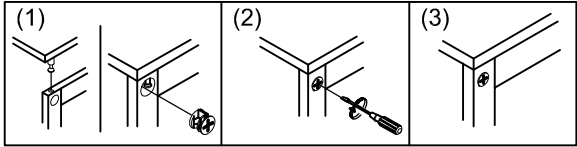
24




x3

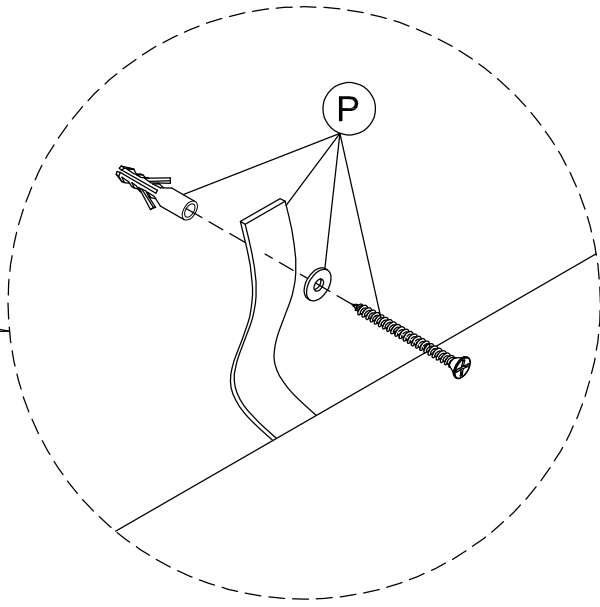
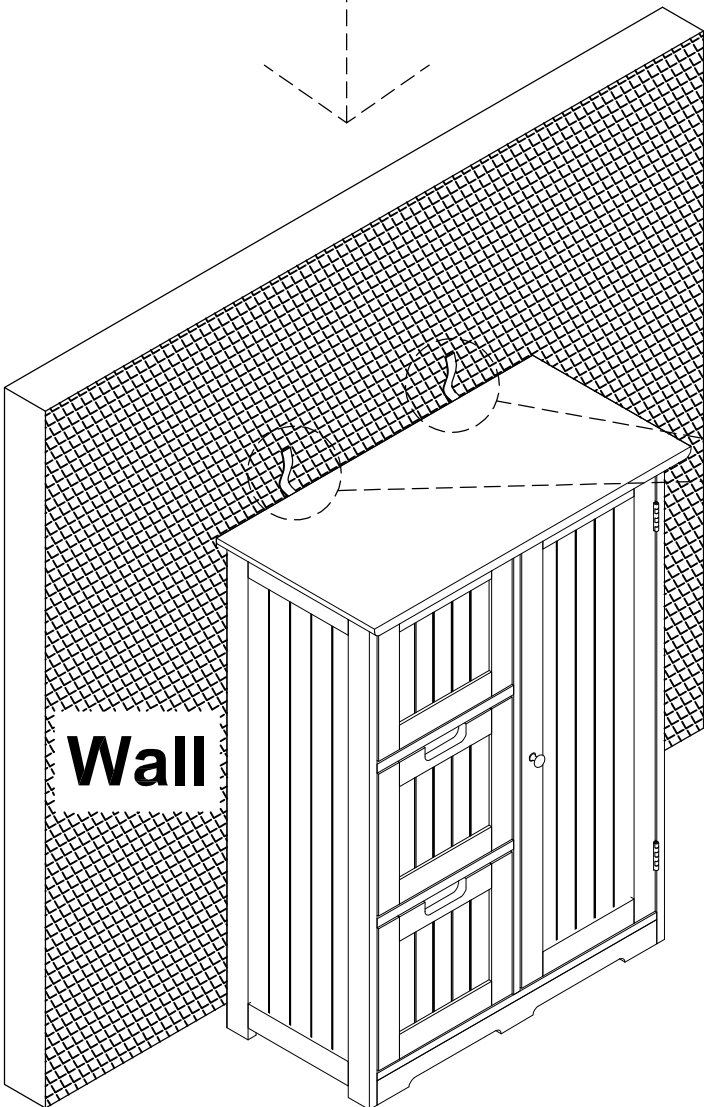
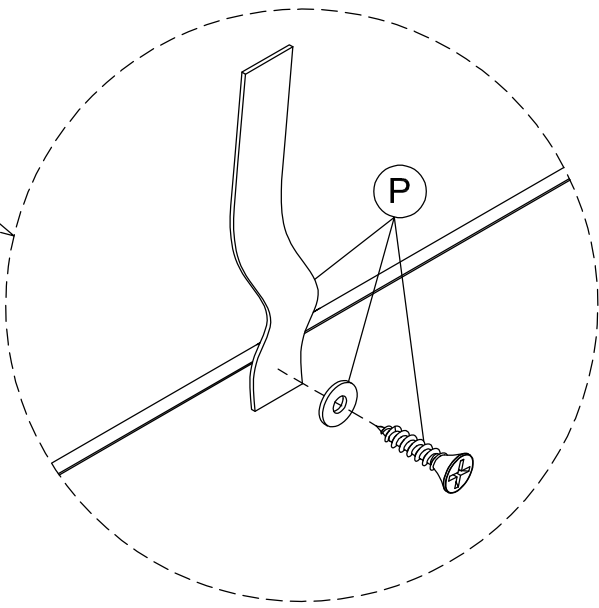
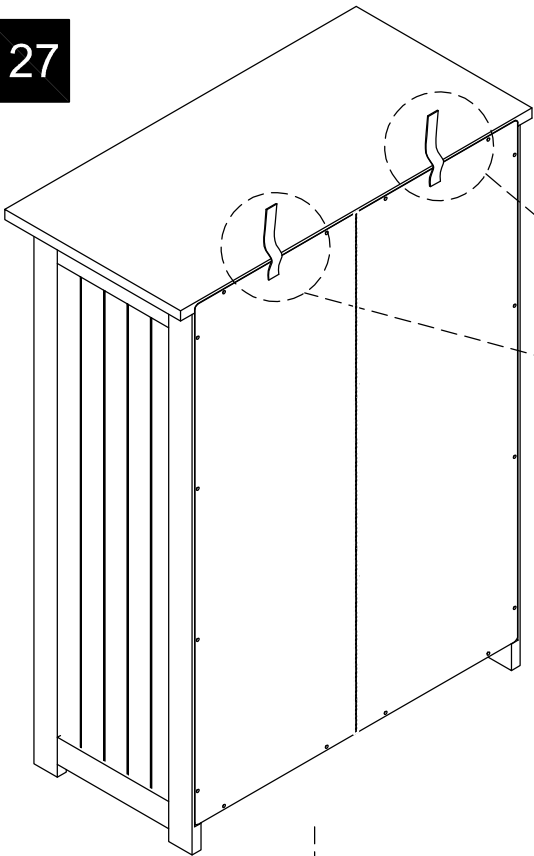


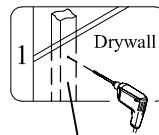
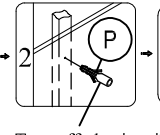
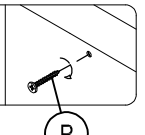
x3



27

P		x2
----------	--	-----------



 1 Locate stud	 2 Turn off plastic millet	 3 P
---	---	---

