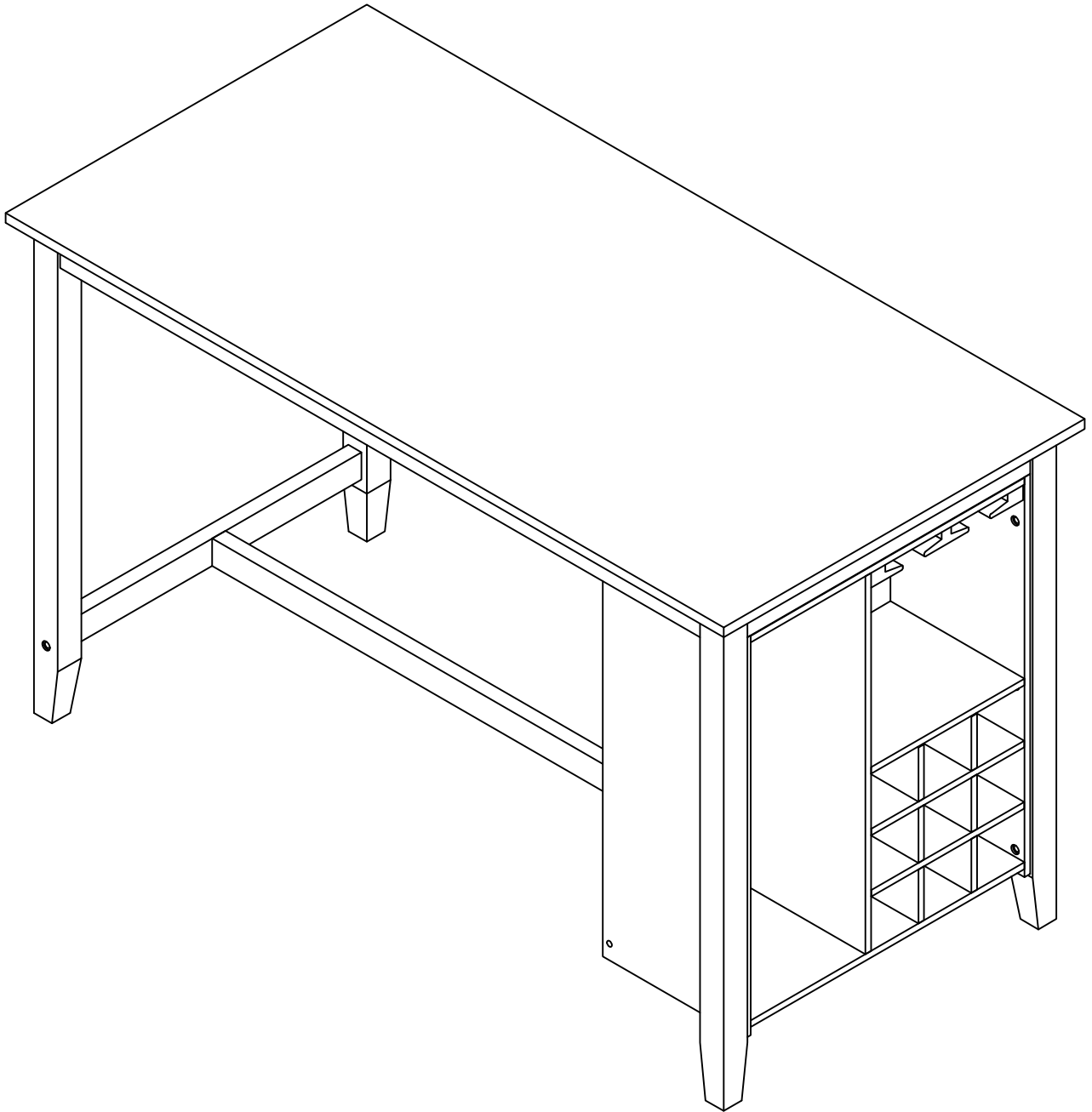


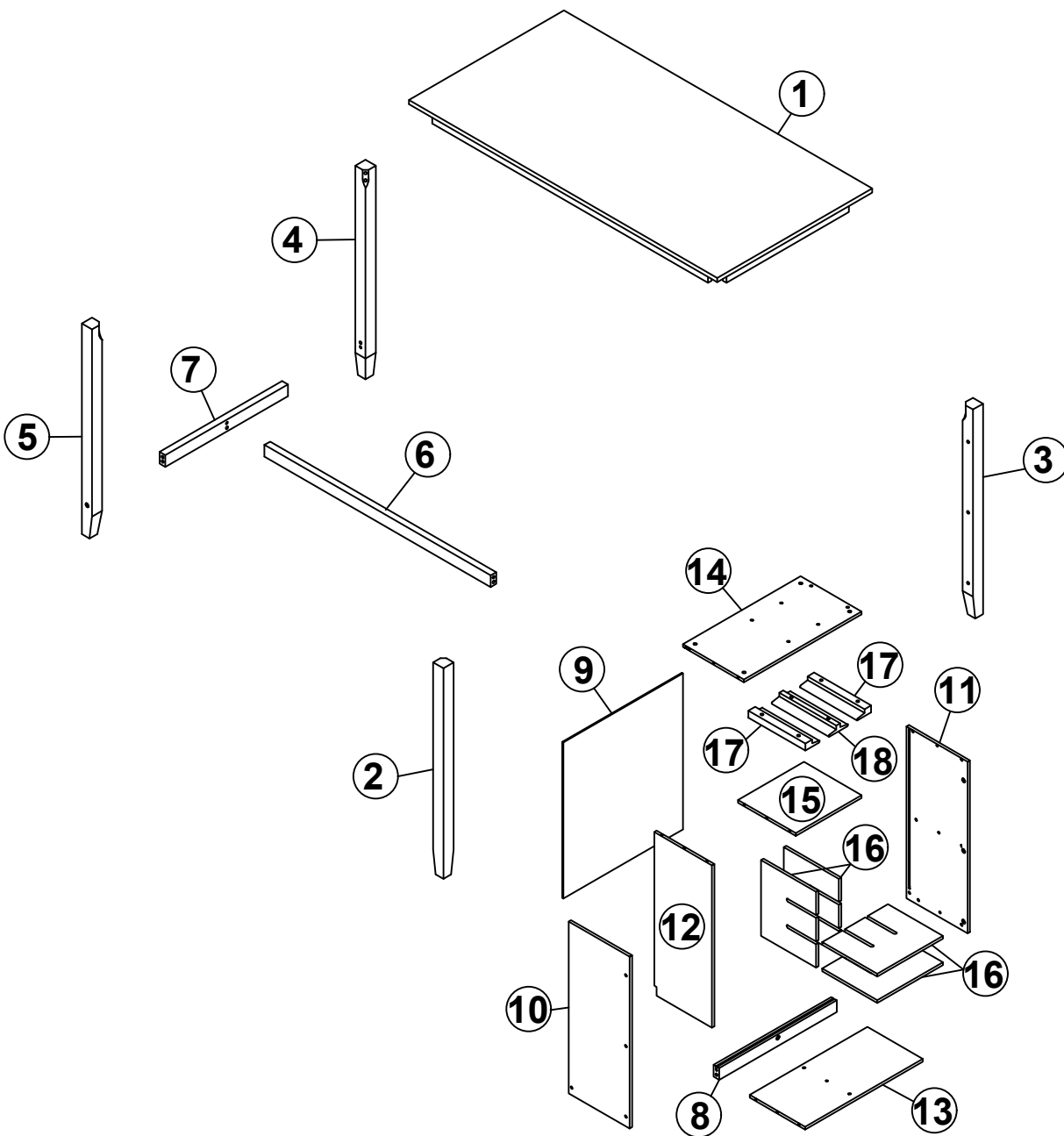
# ASSEMBLY INSTRUCTIONS

## DINING TABLE




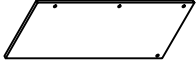
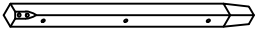

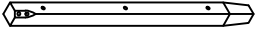
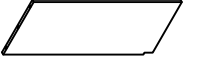
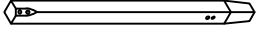
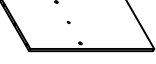
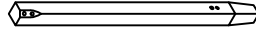

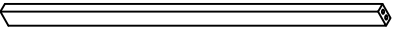

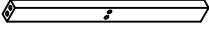


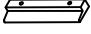
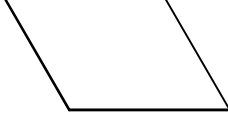
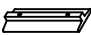
**IMPORTANT NOTE :**

- 1 PLACE ALL PARTS ON A CLEAN AND SMOOTH SURFACE SUCH AS A RUG OR CARPET TO AVOID THE PARTS FROM BEING SCRATCHED.**
- 2 BEFORE YOU BEGIN , KINDLY FOLLOW THE ASSEMBLY INSTRUCTIONS STEP BY STEP.**
- 3 DO NOT TIGHTEN ALL SCREWS AND BOLTS UNTIL THE TABLE IS FULLY SET-UP**













# ASSEMBLY INSTRUCTIONS

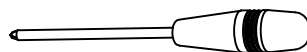
## PART LIST

①		⑩	
	TOP TABLE (1pc)		SIDE PANEL (1pc)
②		⑪	
	LEG TABLE (1pc)		SIDE PANEL (1pc)
③		⑫	
	LEG TABLE (1pc)		SIDE PANEL (1pc)
④		⑬	
	LEG TABLE (1pc)		SHELF PANEL (1pc)
⑤		⑭	
	LEG TABLE (1pc)		SHELF PANEL (1pc)
⑥		⑮	
	STRETCHER (1pc)		SHELF PANEL (1pc)
⑦		⑯	
	STRETCHER (1pc)		SHELF PANEL (4pcs)
⑧		⑰	
	STRETCHER (1pc)		WINE GLASS HANGER (2pcs)
⑨		⑱	
	FRAME BOARD (1pc)		WINE GLASS HANGER (1pc)

# ASSEMBLY INSTRUCTIONS

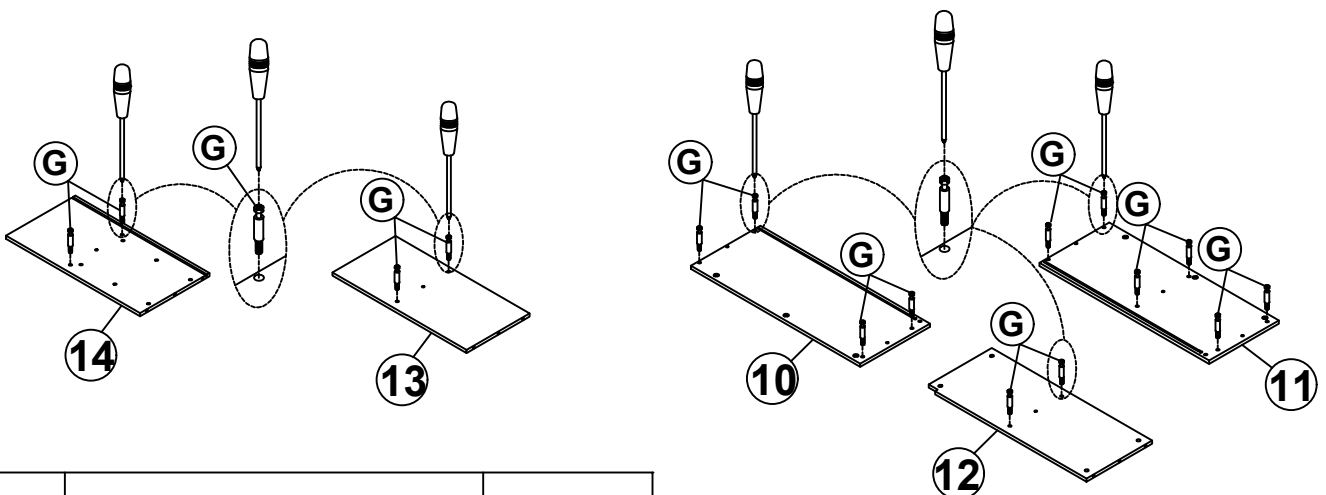
## HARDWARE LIST

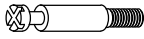
<b>A</b>  Ø5/16" x 70mm BOLT (10pcs)	<b>F</b>  Ø8" x 30mm WOODEN PEGS (14pcs)
<b>B</b>  Ø5/16" x 50mm BOLT (2pcs)	<b>G</b>  Ø6.5" x 35mm PEGS CAMLOCK(16pcs)
<b>C</b>  Ø5/16" x 35mm BOLT (8pcs)	<b>H</b>  Ø12" x 10mm BOLT CAMLOCK (16pcs)
<b>D</b>  Ø5/16" x 13mm SPRING WASHER (8pcs)	<b>J</b>  4mm ALLENKEY (1pc)
<b>E</b>  Ø5/16" x 19mm FLAT WASHER (8pcs)	<b>L</b>  Ø1/4" x 35mm BOLT (6pcs)



## ASSEMBLY TOOLS REQUIRED ( NOT INCLUDED )

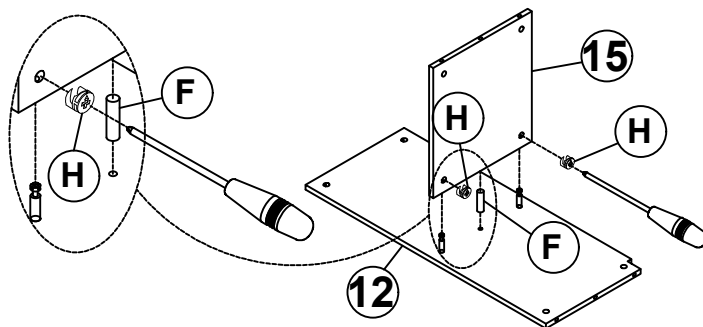
### Step 1



<b>G</b>	Ø 6.5x35		16PCS
----------	----------	---	-------

# ASSEMBLY INSTRUCTIONS

## Step 2



**F**

Ø8x30



1PC

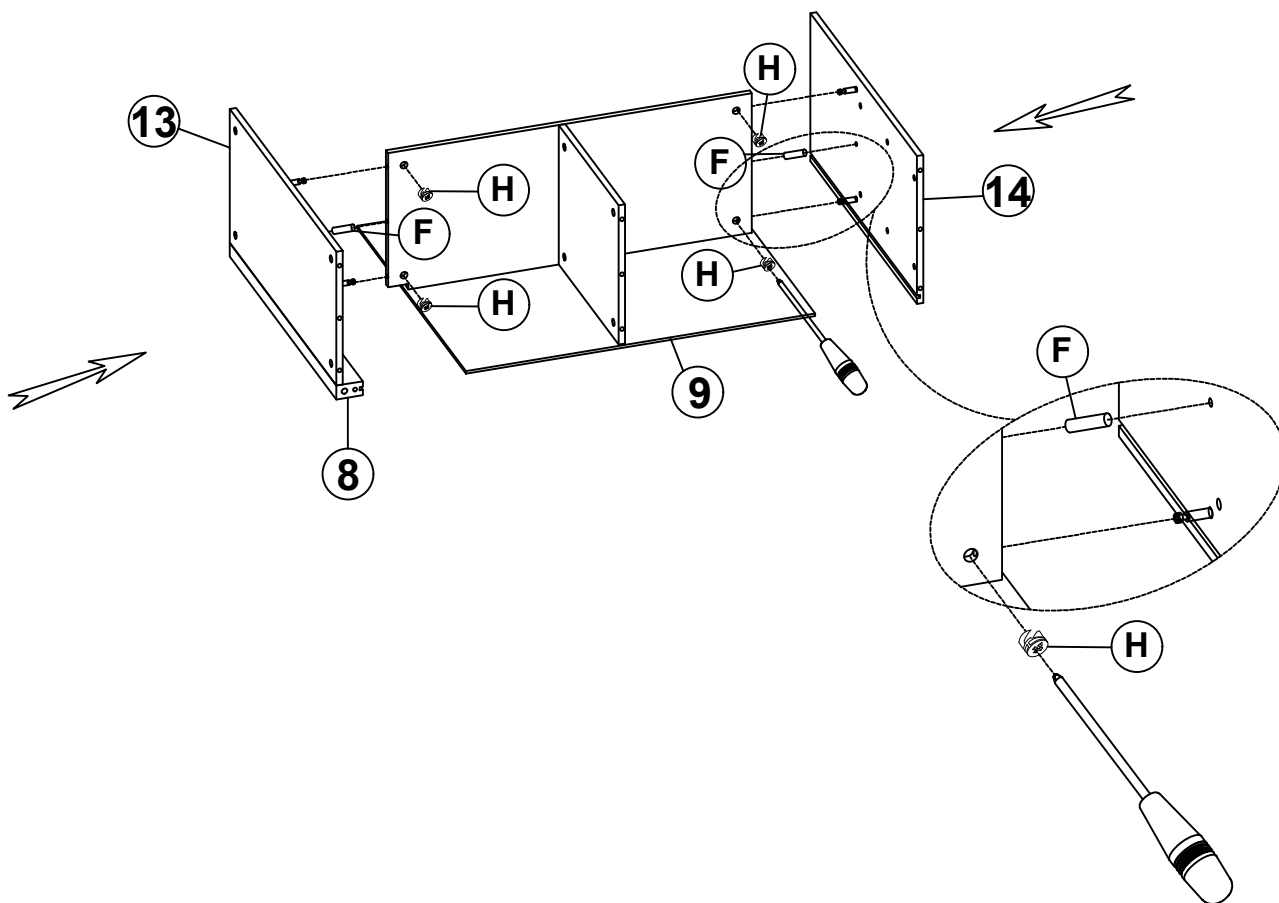
**H**

Ø12x10



2PCS

## Step 3



**F**

Ø8x30



2PCS

**H**

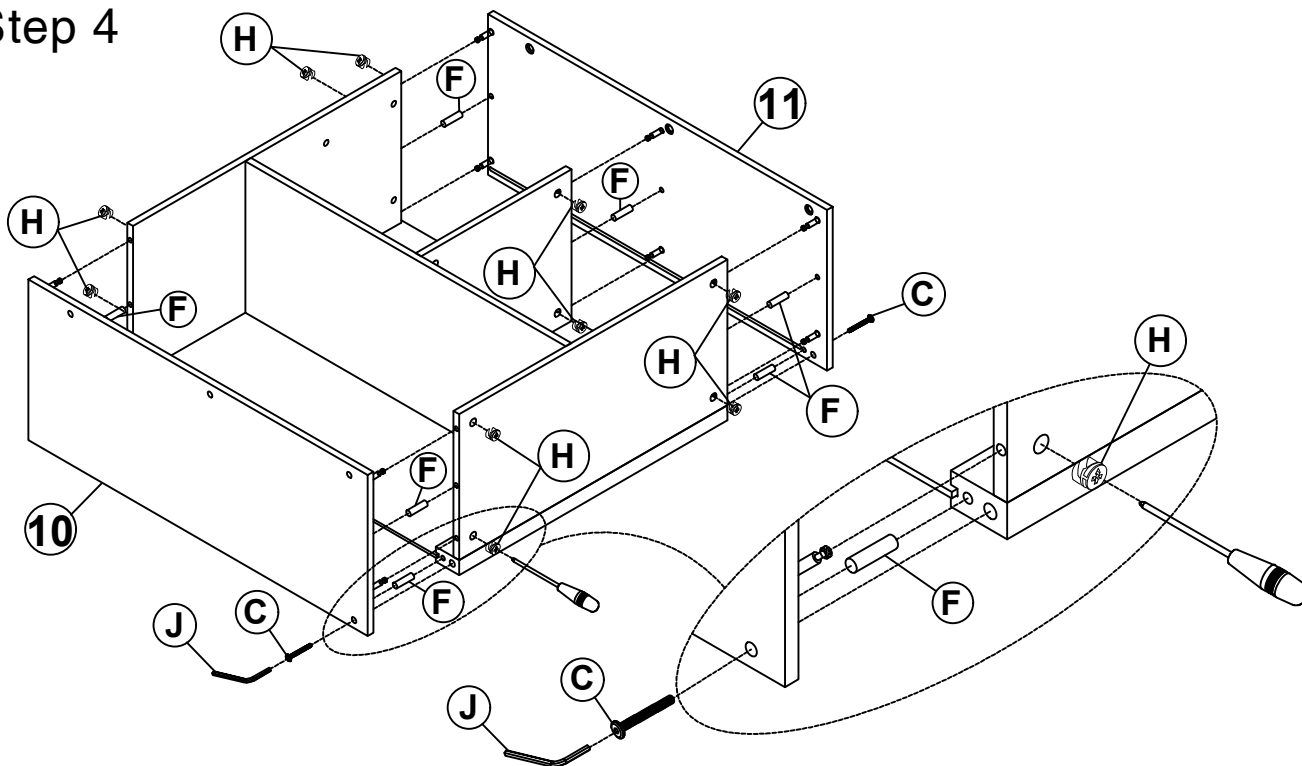
Ø12x10







4PCS

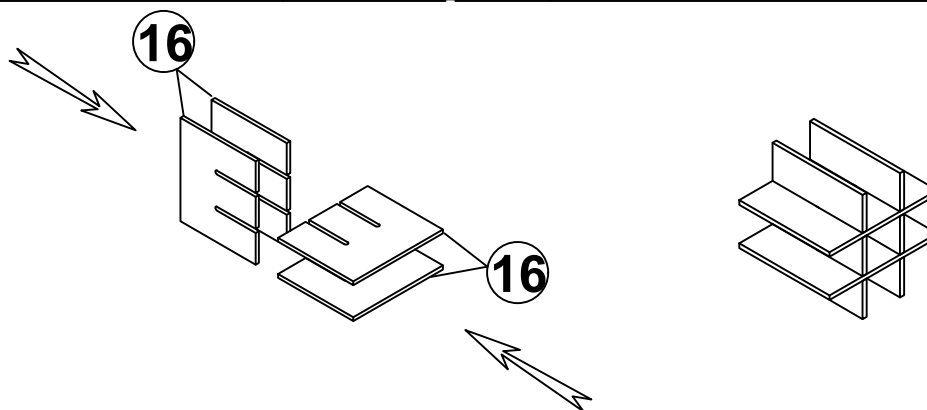
# ASSEMBLY INSTRUCTIONS

Step 4

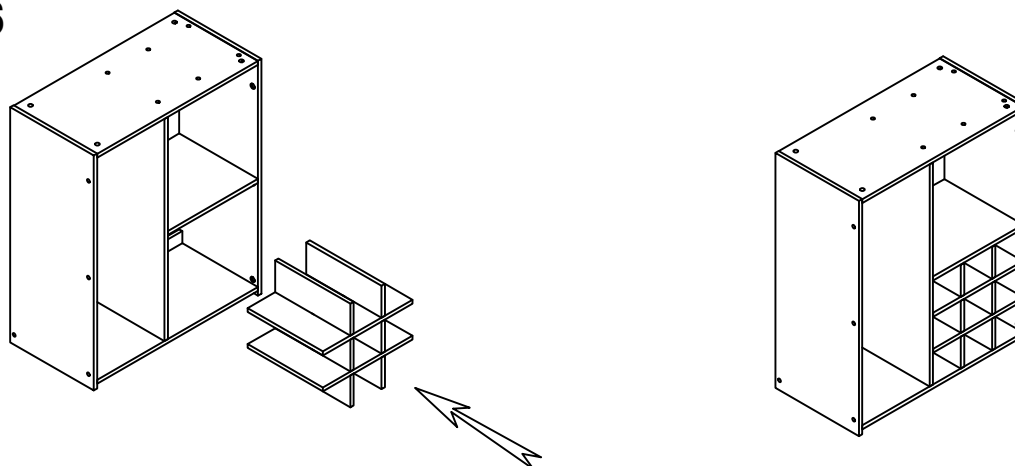


<b>C</b>	5/16x35		2PCS	<b>J</b>	4x58		1PC
<b>F</b>	Ø8x30		7PCS	<b>H</b>	Ø12x10		10PCS

Step 5

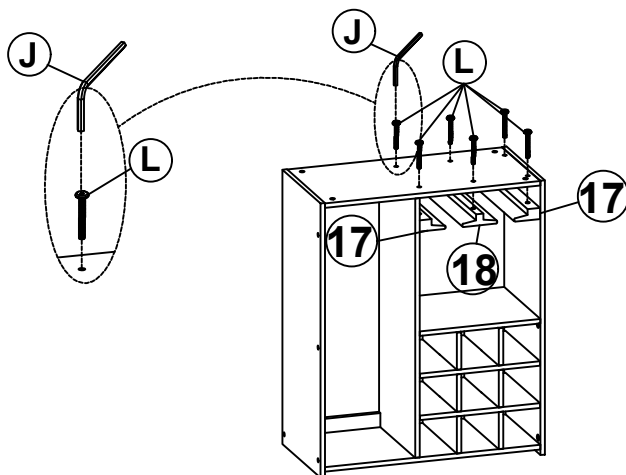


Step 6



# ASSEMBLY INSTRUCTIONS

## Step 7



**L**

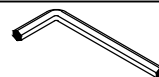
1/4x35



6PCS

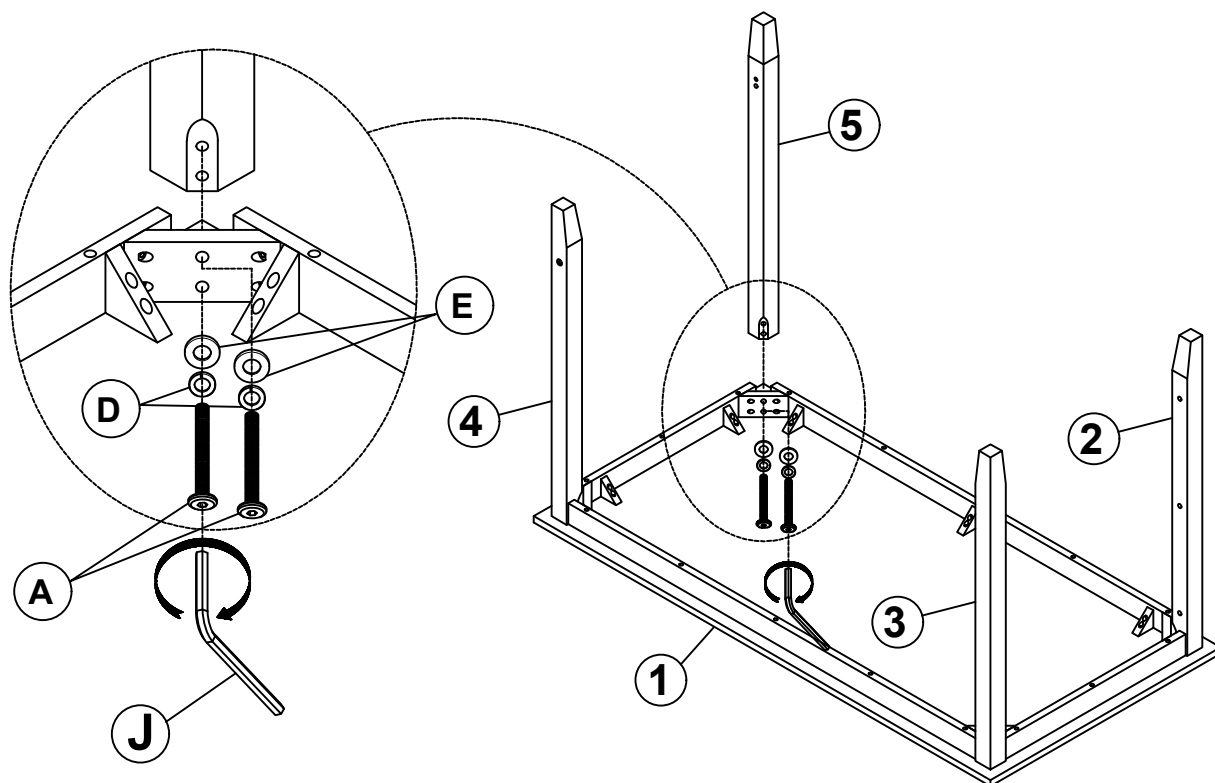
**J**

4x58



1PC

## Step 8



**D**

5/16x13



8PCS

**A**

5/16x70



8PCS

**E**

5/16x19



8PCS

**J**

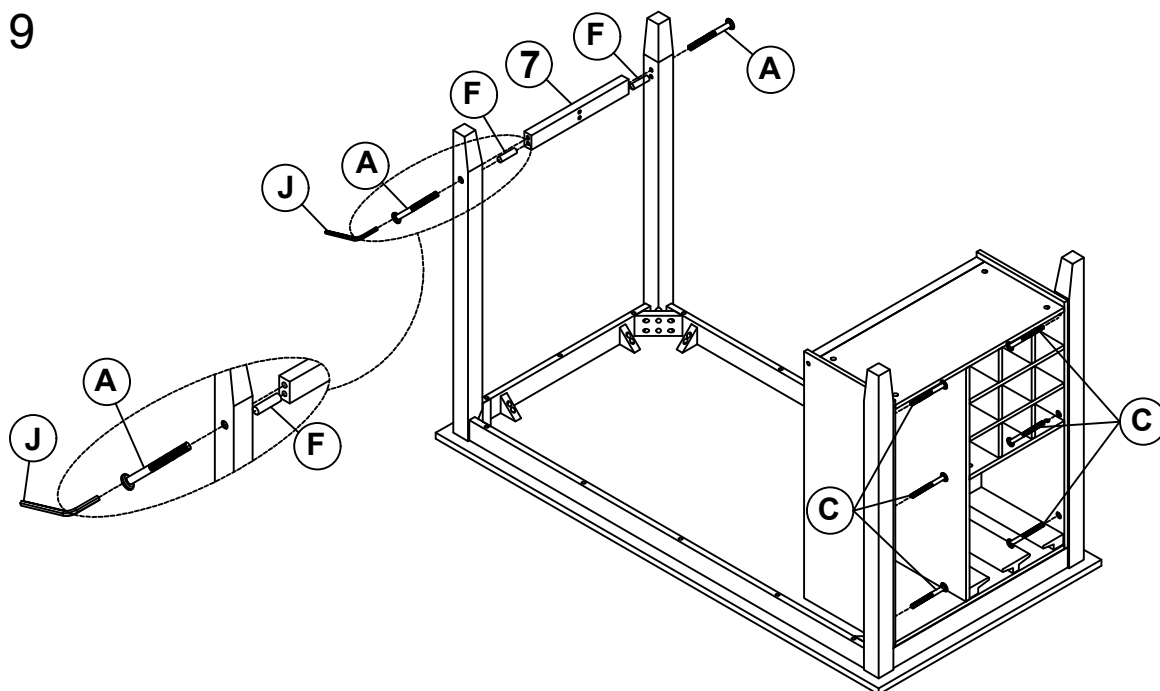
4x58







1PC

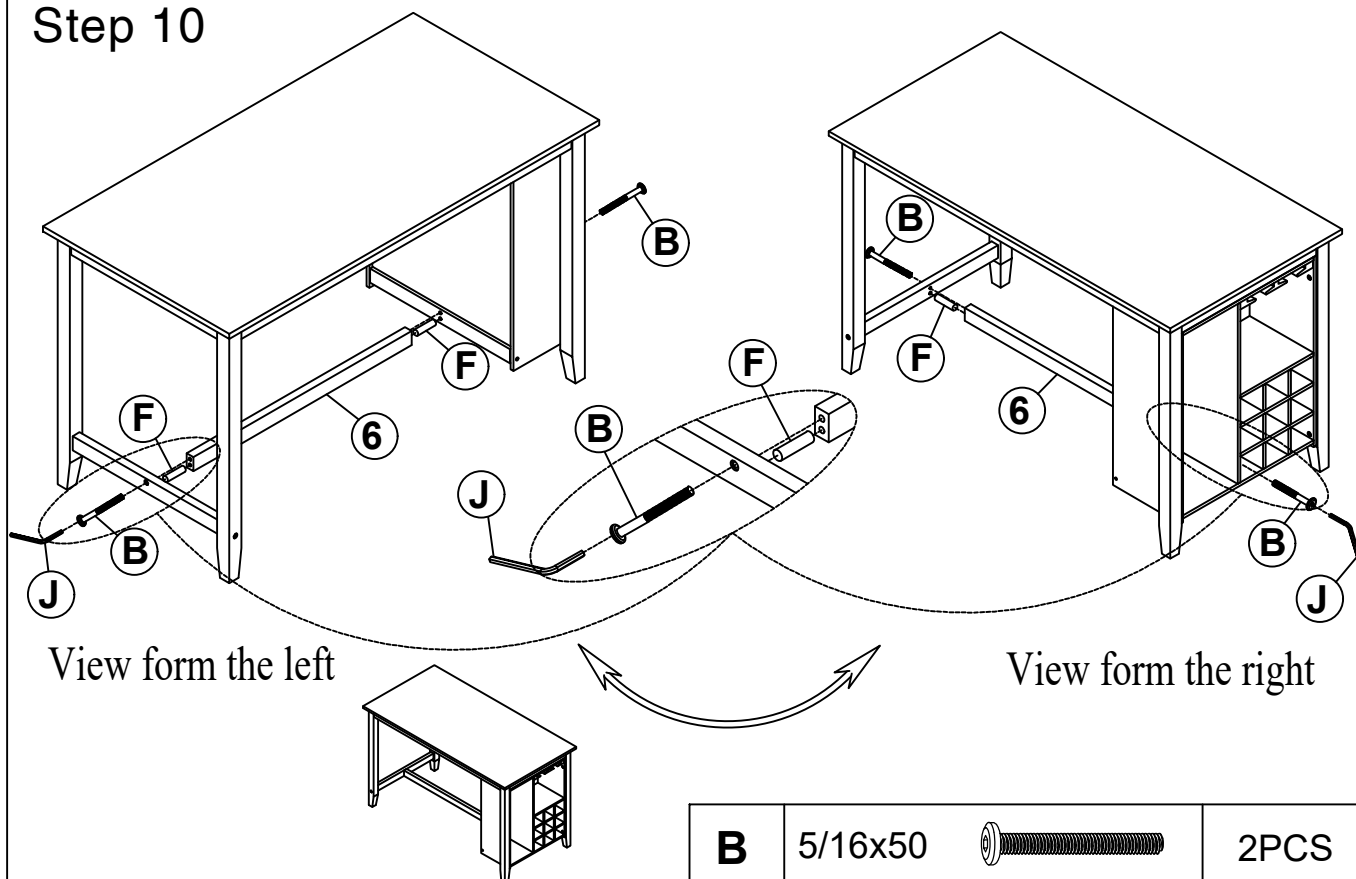
# ASSEMBLY INSTRUCTIONS




## Step 9



<b>C</b>	5/16x35		6PCS	<b>A</b>	5/16x70		2PCS
<b>F</b>	Ø8x30		2PCS	<b>J</b>	4x58		1PC

## Step 10



<b>B</b>	5/16x50		2PCS	<b>F</b>	Ø8x30		2PCS
<b>J</b>	4x58		1PC				