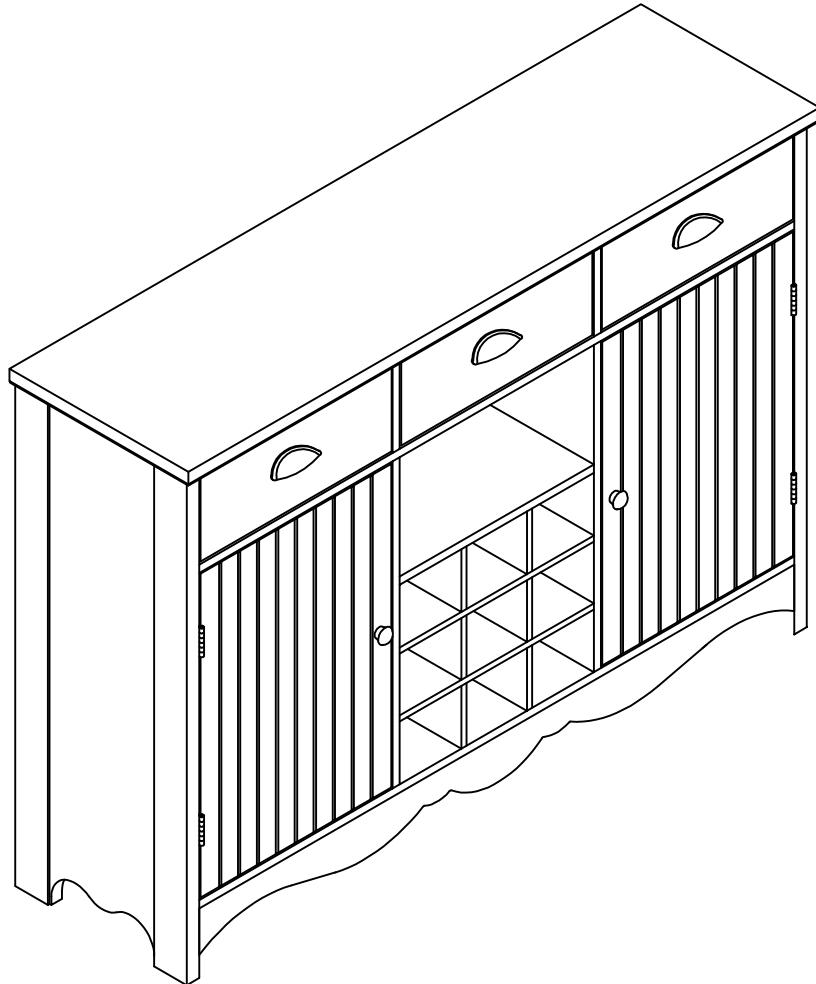


ASSEMBLY INSTRUCTIONS

Wine Rack



NOTE TO CUSTOMERS:

- For ease and speed of assembly we recommend that before you commence each step of the assembly that you identify all the parts required to complete that step.
- We recommend that where possible you allow sufficient space to assemble the item as close as possible to the place where it will be once assembled.
- For the protection of your furniture we recommend that the product is placed on protected surfaces during assembly to prevent any damage.
- During assembly do not over tighten ,as this may damage the product.
- Please ensure you retain all the product packaging until the item completely assembled.
- Please periodically check all fittings and re-tighten as necessary.
- Never allow any liquids to remain on your furniture as absorption can cause the wood to warp or the finish to de-laminate.
- It is recommended that this item should be assembled by two adults.

To insert a cam lock: (Please read below instructions before assembling)

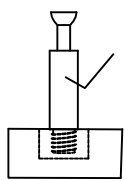
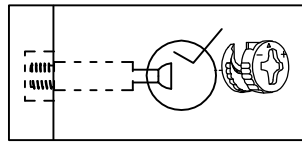


Diagram A



1. Insert cam screw into hole as shown in diagram A .

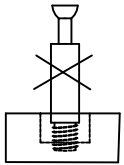
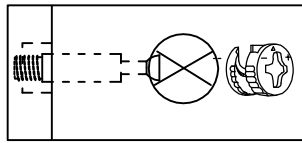


Diagram B



Make sure not to insert the cam screw:
Too deep as shown in figure B as this will cause the
cam screw to be misaligned and unable to
interlock properly.

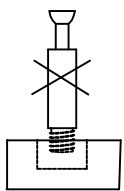
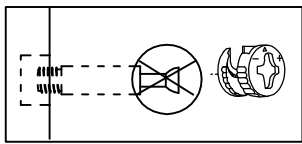
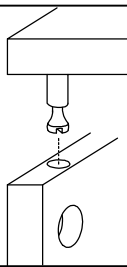


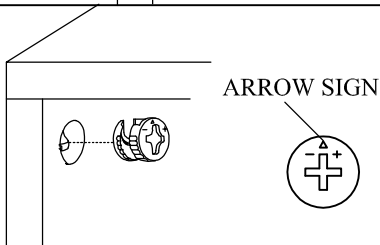
Diagram C



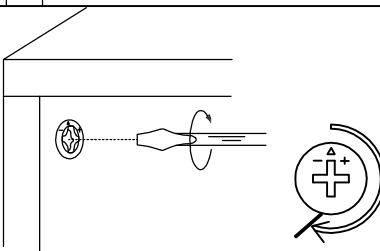
Also avoid inserting the cam screw too close to the
surface of the hole as shown in figure C, as this will
cause the cam lock to be too loose, and not interlock
properly.



2. Connect the panels together.



3. When inserting the cam lock make sure the arrow
of the cam lock faces the cam screw.



4. To tighten the cam lock turn the cam lock clockwise
90-180 degree or until the arrow is facing opposite
the place cam lock was inserted.

**NOTE: DO NOT USE AN AUTOMATIC
SCREWDRIVER TO TIGHTEN CAM LOCKS.**

Note:

- Read these instructions carefully before assembling.
- Tools required : Phillips screwdriver, flat screwdriver.
- Find a clean, smooth area on which to work , such as a carpet, in order to avoid scratching the wood surfaces.
- Wait to dispose of the packing material until assembly is complete and all parts and hardware are accounted for.
- Two or more people might be required for assembly.



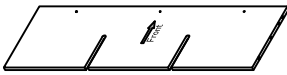

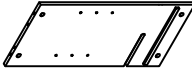
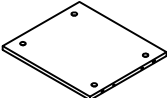


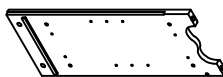
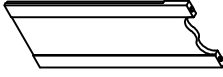
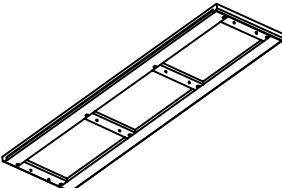
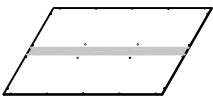
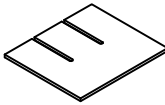
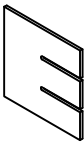
WARNING:

Serious or fatal crushing injuries can occur from furniture tip-over.
To help prevent tip-over:

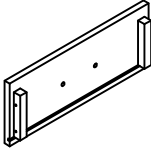
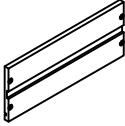
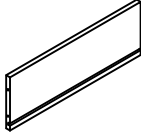
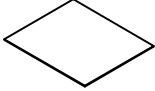
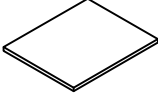


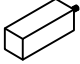
- Place heaviest items in the lowest drawers
- Unless specifically designed to accommodate, do not set televisions or other heavy objects on top of this product.
- Never allow children to climb or hang on drawer, doors, or shelves.
- Never open more than one drawer at a time. (OR)
- Do not defeat or remove the drawer interlock system.

Use of tip-over restraints may only reduce, but not eliminate the risk of tip-over




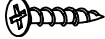
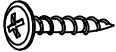
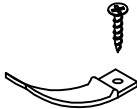
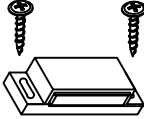
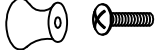
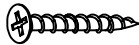




Part List

A1. Quantity of 1  Long Middle Shelf Panel	A2(R). Quantity of 1  Middle Divider	A2(L). Quantity of 1  Middle Divider	A3. Quantity of 1  Short Middle Shelf Panel
A4. Quantity of 1  Wide Bottom Panel	A5. Quantity of 1  Narrow Bottom Panel	A6. Quantity of 1  Right Side Panel	A7. Quantity of 1  Left Side Panel
A8. Quantity of 1  Top Panel	A9. Quantity of 1  Back Panel	A10. Quantity of 2  Cross Shelf	A11. Quantity of 2  Vertical Shelf

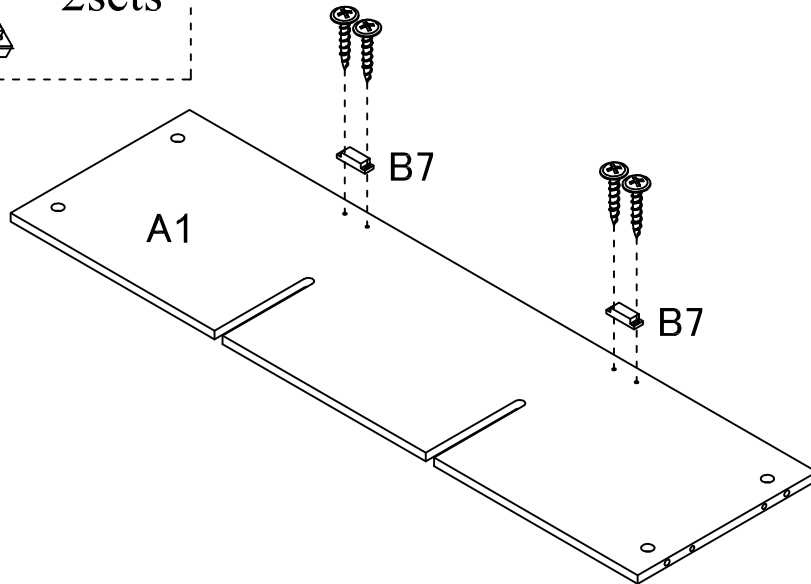
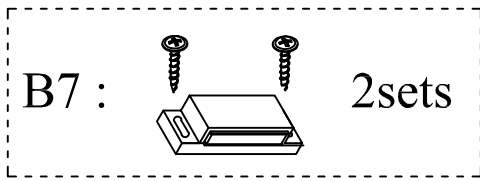
Part List

<p>A12. Quantity of 3</p>  <p>Drawer Front Panel</p>	<p>A13. Quantity of 6</p>  <p>Drawer Side Panel</p>	<p>A14. Quantity of 3</p>  <p>Drawer Back Panel</p>	<p>A15. Quantity of 3</p>  <p>Drawer Bottom Panel</p>
<p>A16. Quantity of 2</p>  <p>Adjustable Shelf</p>	<p>A17. Quantity of 1</p>  <p>Left Door</p>	<p>A18. Quantity of 1</p>  <p>Right Door</p>	<p>A19. Quantity of 1</p>  <p>Center Support Leg</p>

Hardware List

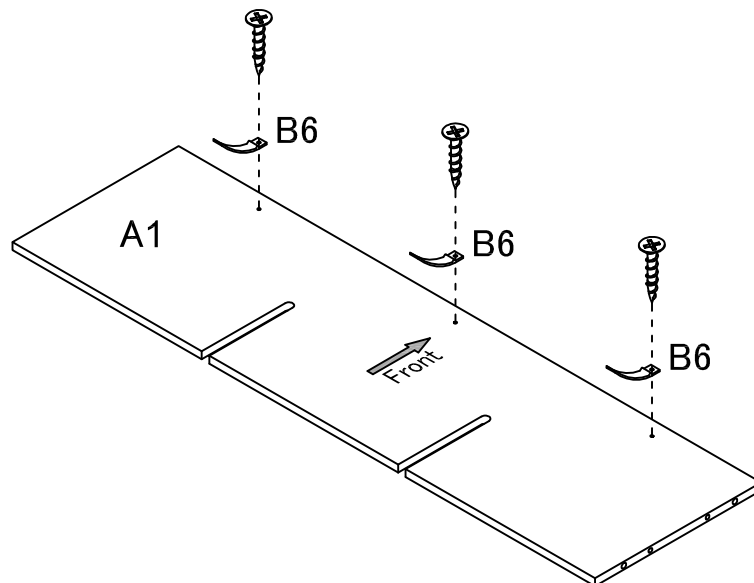
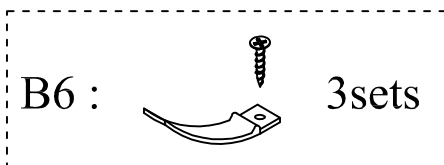
<p>B1. Quantity of 27</p>  <p>Cam-Bolt</p>	<p>B2. Quantity of 27</p>  <p>Cam-Lock</p>	<p>B3. Quantity of 26</p>  <p>Wood Dowel</p>	<p>B4. Quantity of 8</p>  <p>Screw</p>
<p>B5. Quantity of 22</p>  <p>Screw</p>	<p>B6. Quantity of 3</p>  <p>Stopper with Screw</p>	<p>B7. Quantity of 2</p>  <p>Magnet with Screw</p>	<p>B8. Quantity of 2</p>  <p>Door Knob with Bolt</p>
<p>B9. Quantity of 24</p>  <p>Screw</p>	<p>B10. Quantity of 3</p>  <p>Drawer Knob with Bolt</p>	<p>B11. Quantity of 8</p>  <p>Shelf Support</p>	<p>B12. Quantity of 1</p>  <p>Anchor with Screw</p>
<p>B13. Quantity of 1</p>  <p>Anti-tip Kit</p>			

Step 1



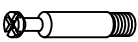


Attach the magnets B7 to the long middle shelf panel A1 using included screws.

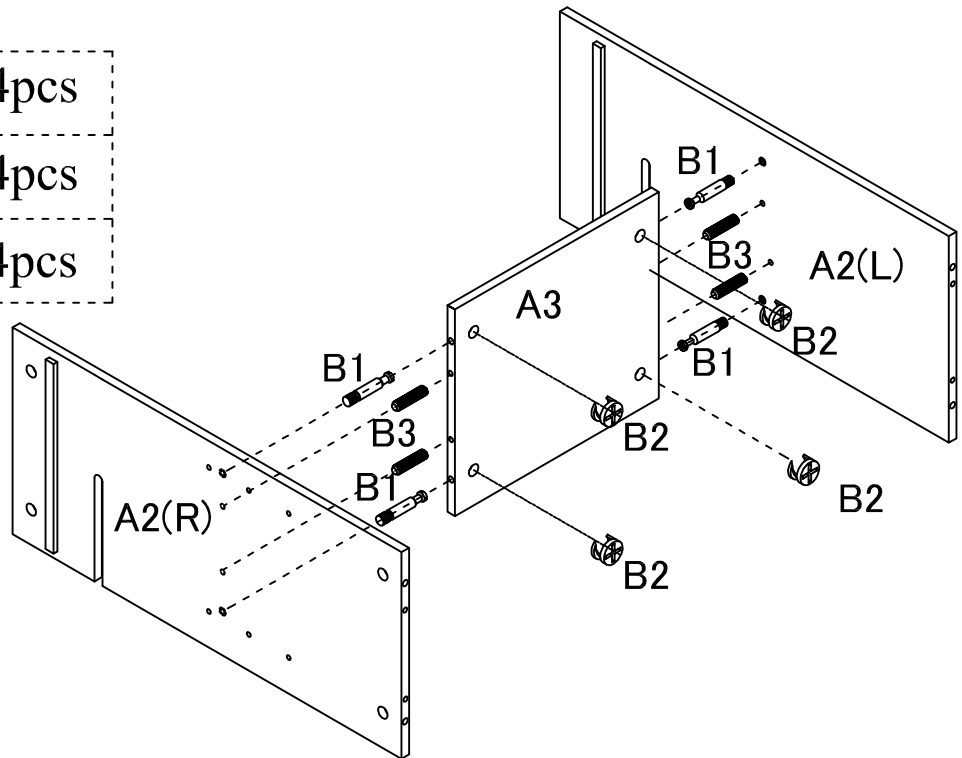
Step 2



Attach the stopper B6 to the long middle shelf panel A1 using included screws.

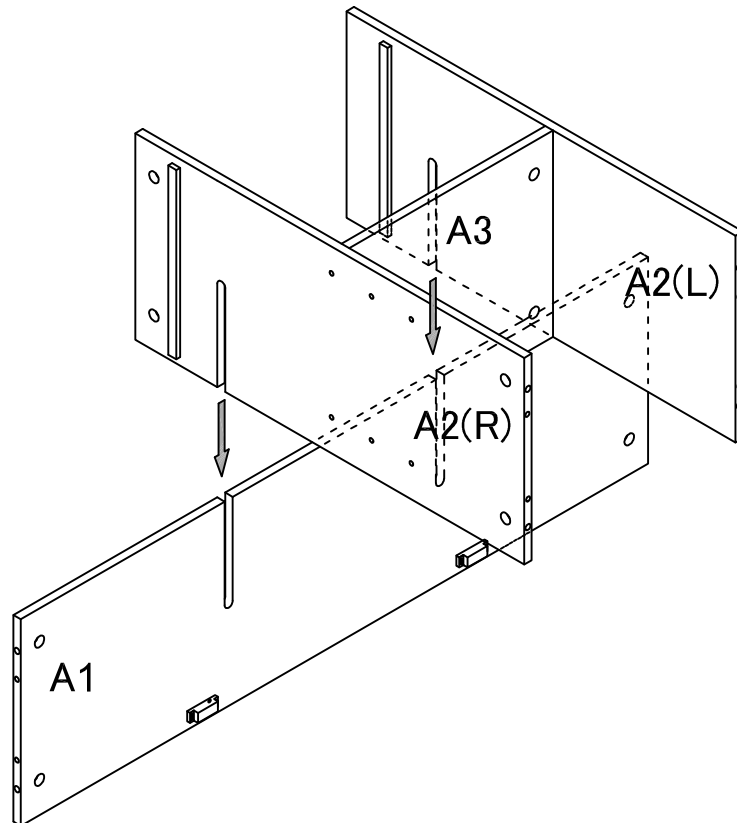
Step 3

B1 :		4pcs
B2 :		4pcs
B3 :		4pcs



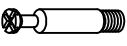


Assemble the short middle shelf panel A3 to the middle dividers A2(L,R) using cam-bolts B1 & cam-locks B2 and wood dowels B3.

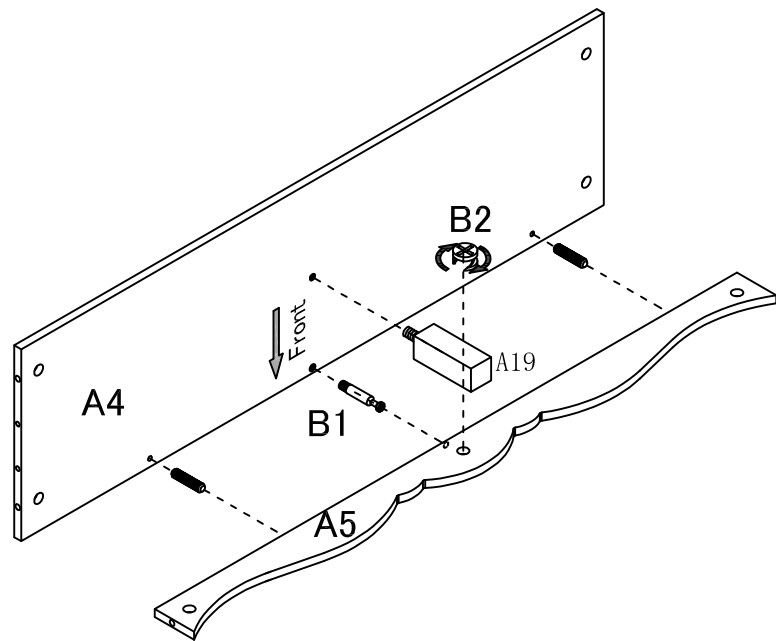
Step 4



Insert the long middle shelf panel A1 into the grooves of middle dividers A2(L,R).

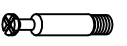


Step 5

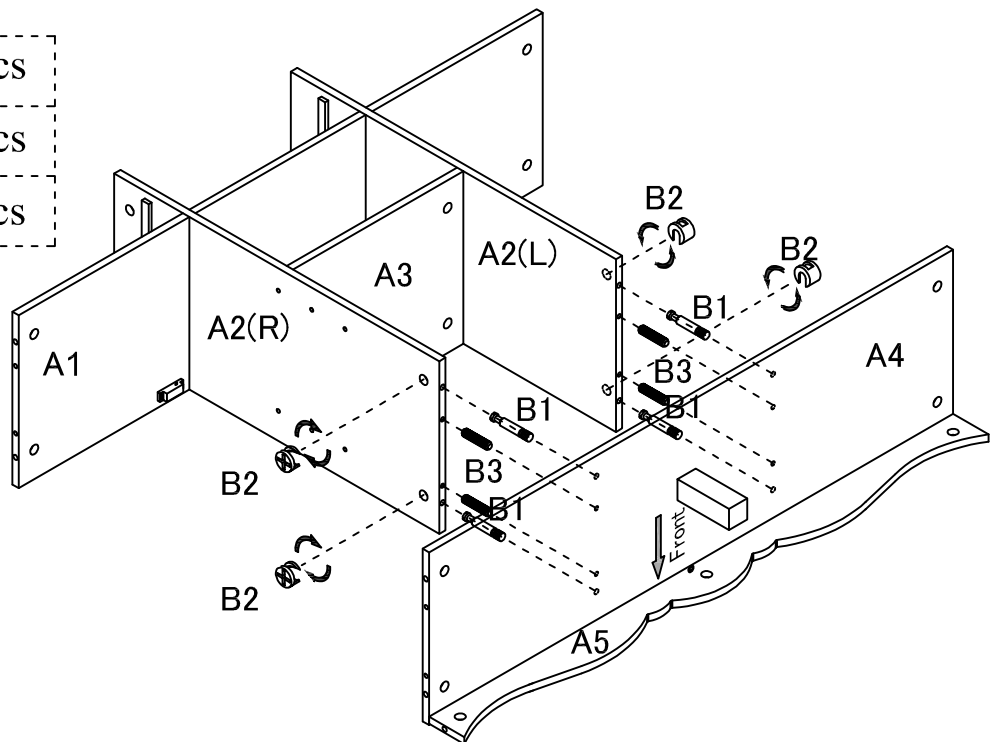
B1 :		1pc
B2 :		1pc
B3 :		2pcs



1. Assemble the narrow bottom panel A5 to the wide bottom panel A4 using cam-bolt B1 & cam-lock B2 and wood dowels B3.
2. Screw the center support leg A19 into the bottom of wide bottom panel A4.

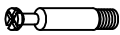


Step 6

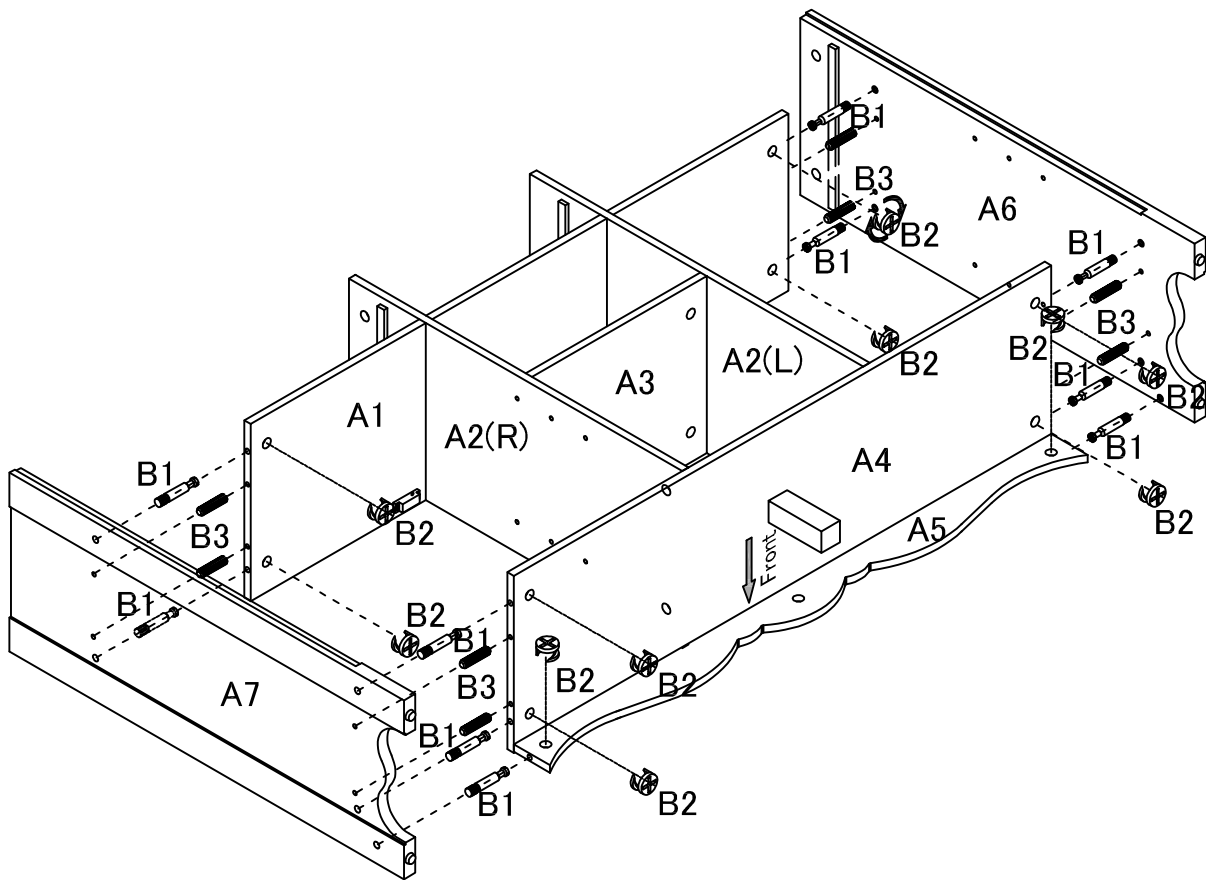
B1 :		4pcs
B2 :		4pcs
B3 :		4pcs



Assemble the bottom panel A4 & A5 to the middle dividers A2(L,R) using cam-bolts B1 & cam-locks B2 and wood dowels B3.

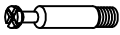


Step 7

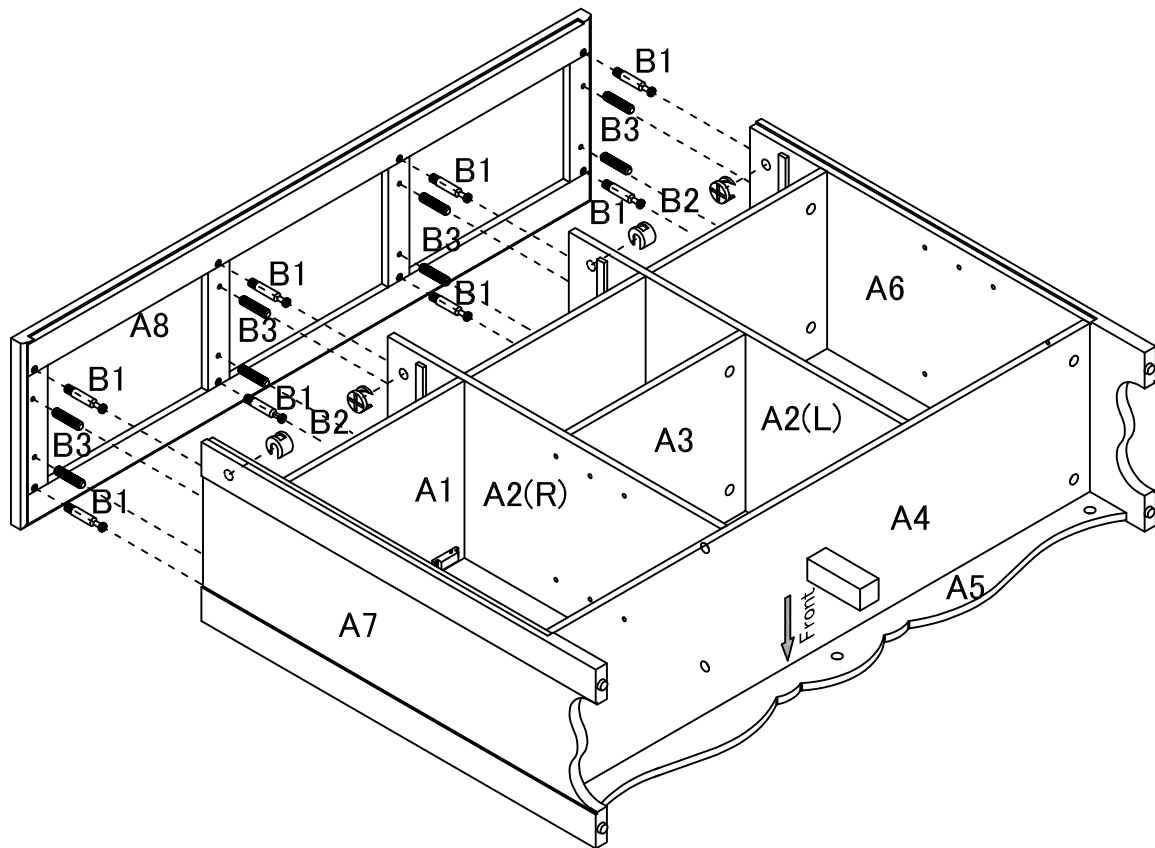
B1 :		10pcs
B2 :		10pcs
B3 :		8pcs



Assemble the side panels A6 & A7 to the bottom panels A4 & A5 and long middle shelf panel A1 using cam-bolts B1 & cam-locks B2 and wood dowels B3.


Step 8

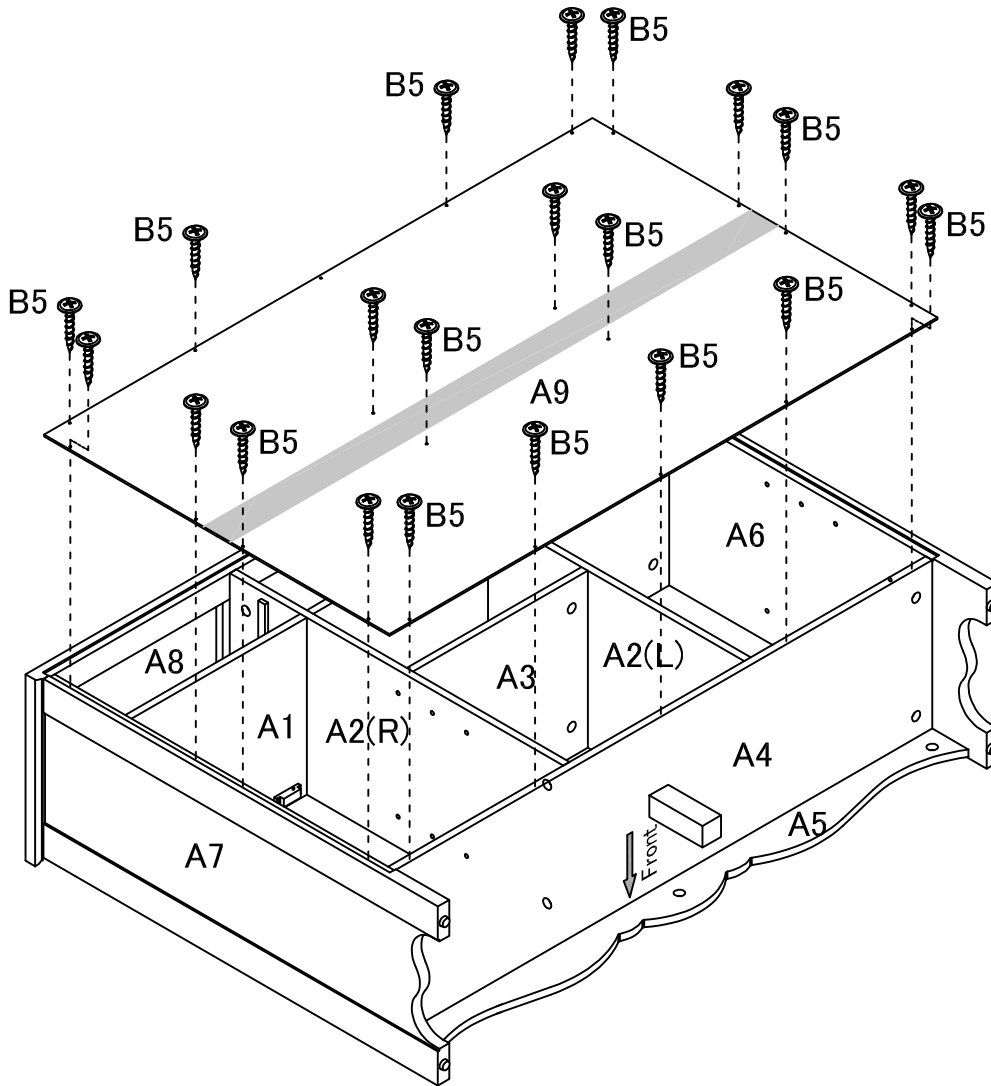
B1 :		8pcs
B2 :		8pcs
B3 :		8pcs



Assemble the top panel A8 to side panels A6 & A7 and middle dividers A2(L,R) using cam-bolts B1 & cam-locks B2 and wood dowels B3.

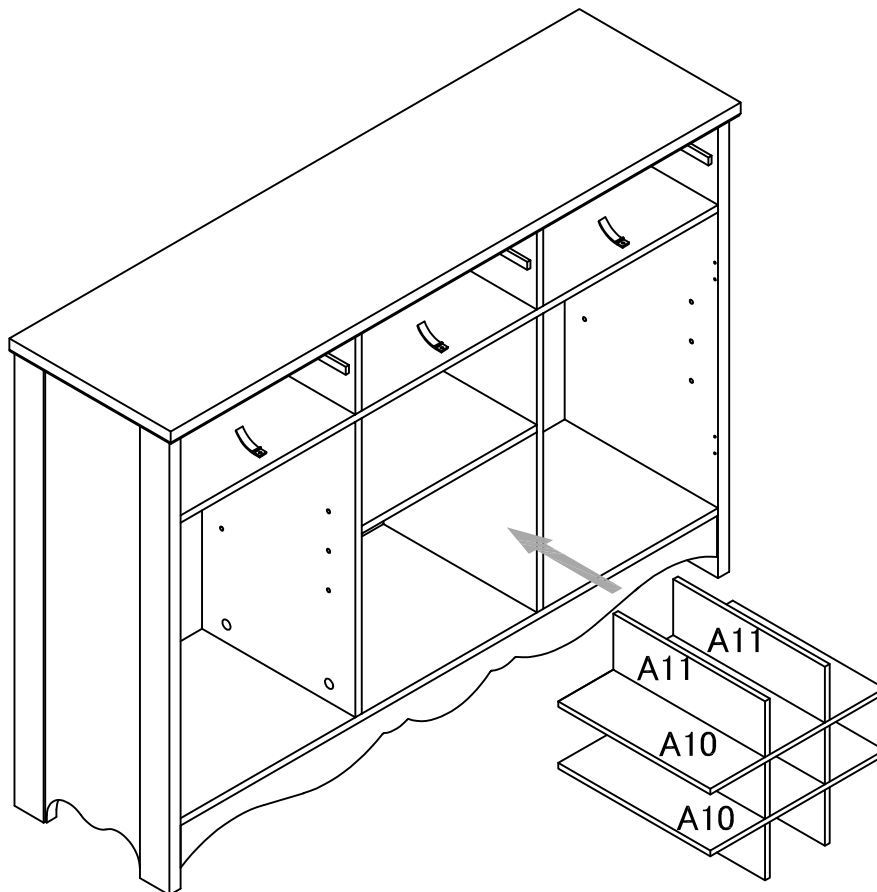
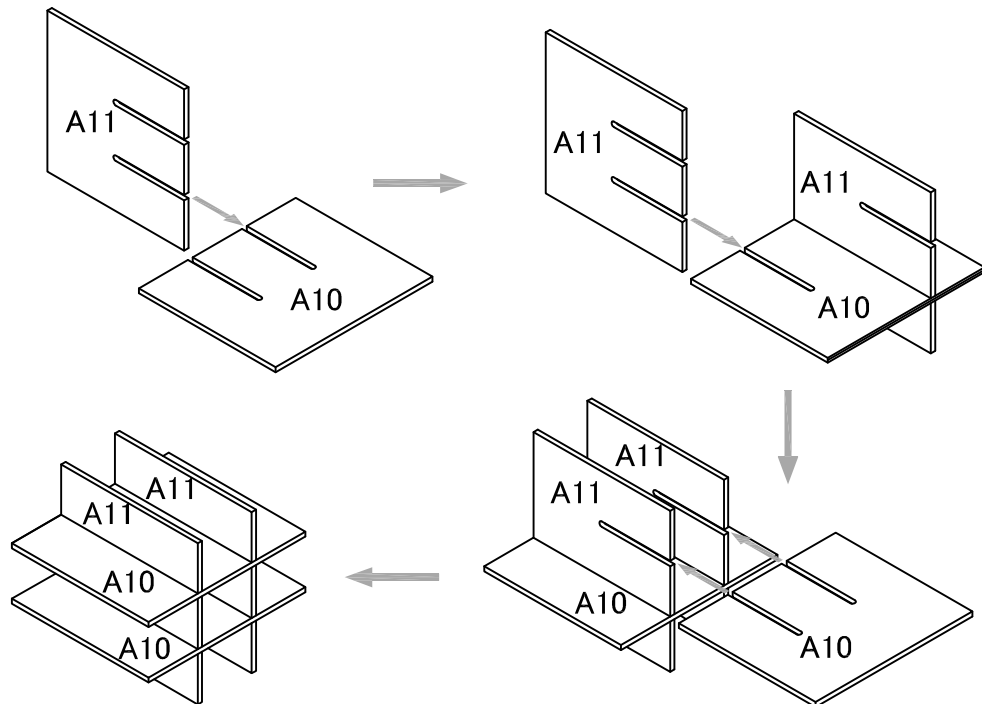
Step 9

B5 :  21pcs



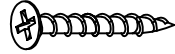
Assemble the back panel A9 to the back of this unit using screws B5.

Step 10

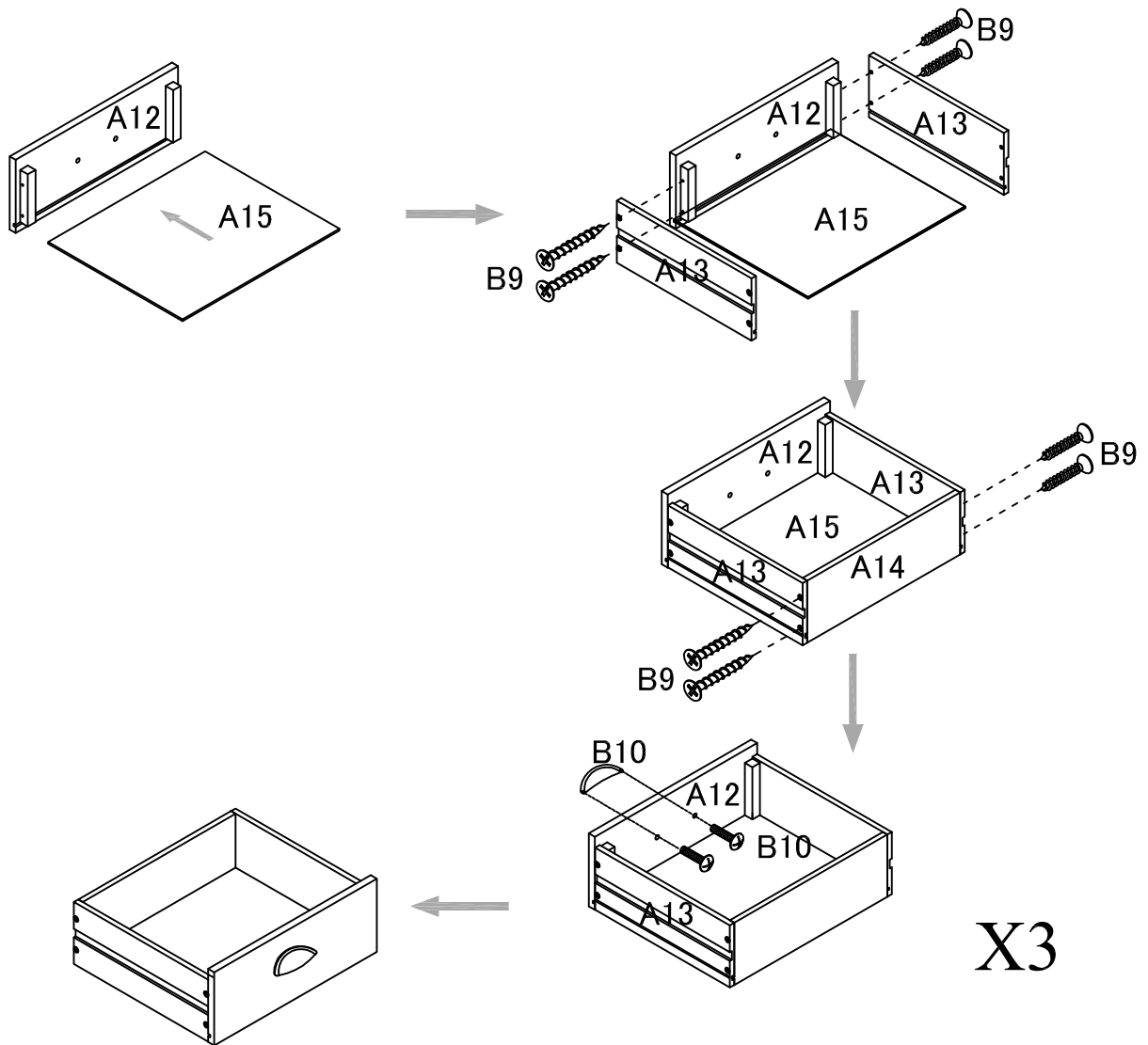


1. Insert the vertical shelf A11 into the grooves of cross shelf A10.
2. Insert the cross shelf A10 & vertical shelf A11 into the center of this wine rack as shown above.

Step 11

B9 :  24pcs

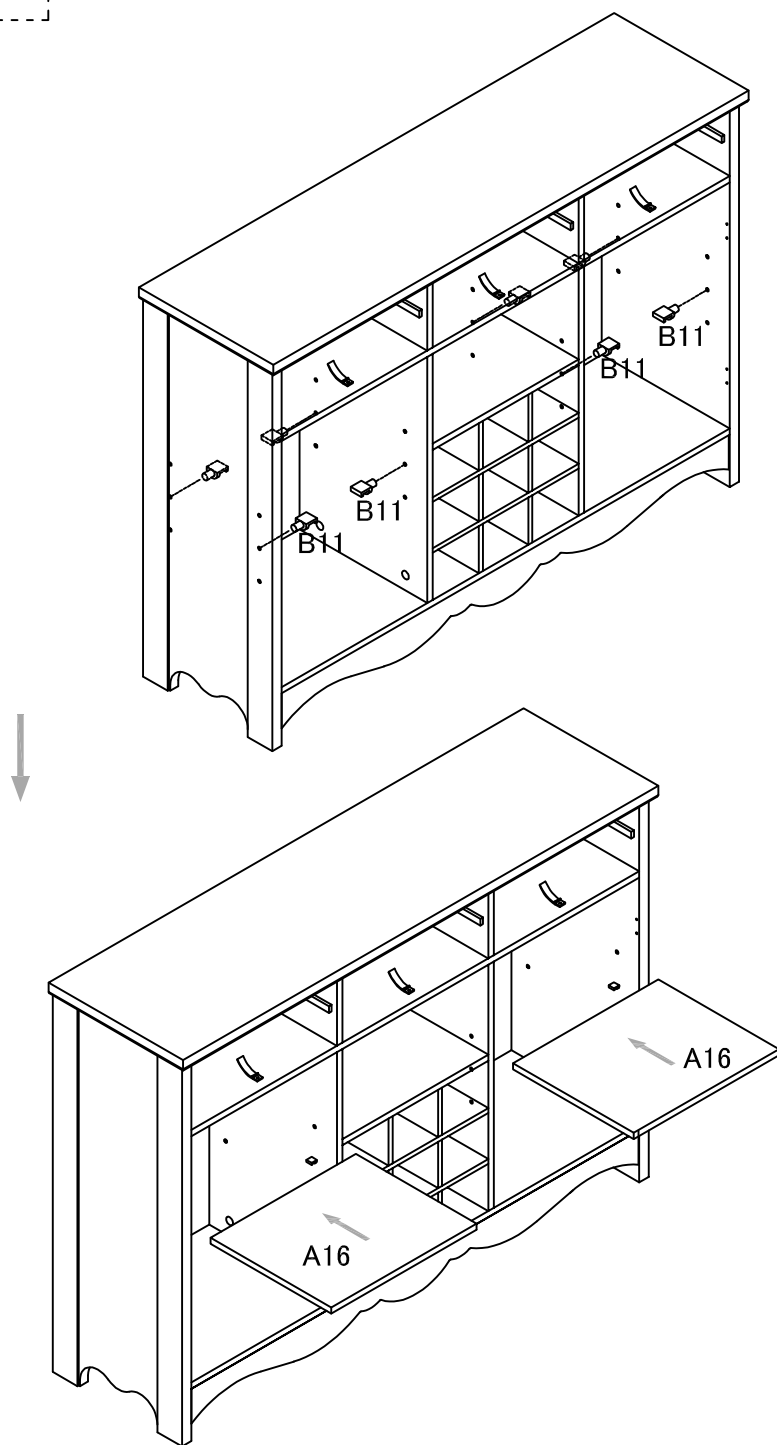
B10 :  3sets



1. Insert the bottom panel A15 into the groove of drawer front panel A12.
2. Assemble the drawer side panels A13 to drawer front panel A12 using screws B9, please ensure the drawer bottom panel A15 fit in grooves of side panels A12 properly.
3. Assemble the drawer back panel A14 to drawer side panels A13 using screws B9.
4. Assemble the drawer knob B10 to drawer front panel A12 using included bolts.

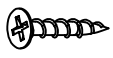
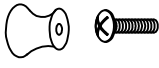
Step 12

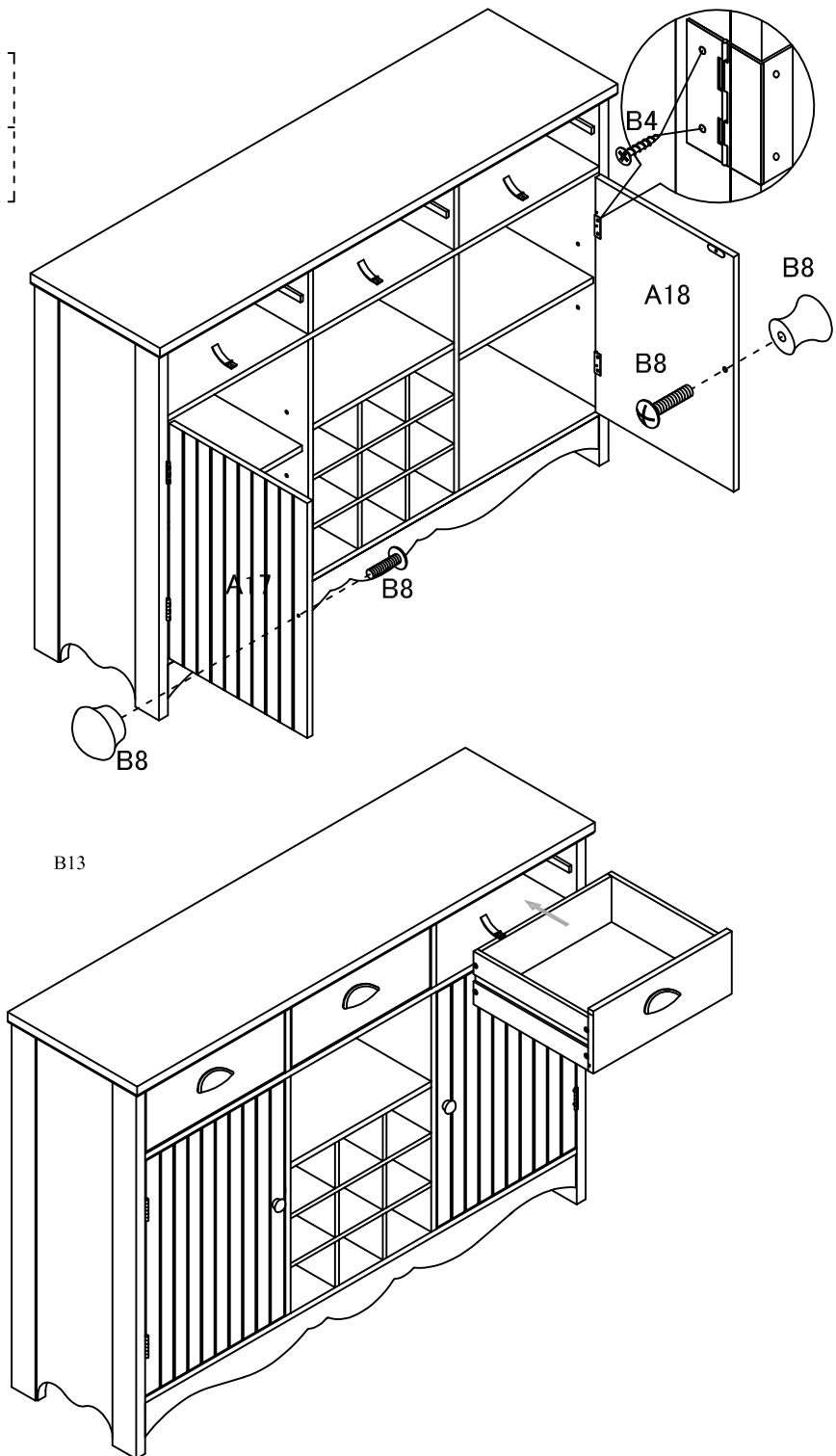
B11 :  8pcs



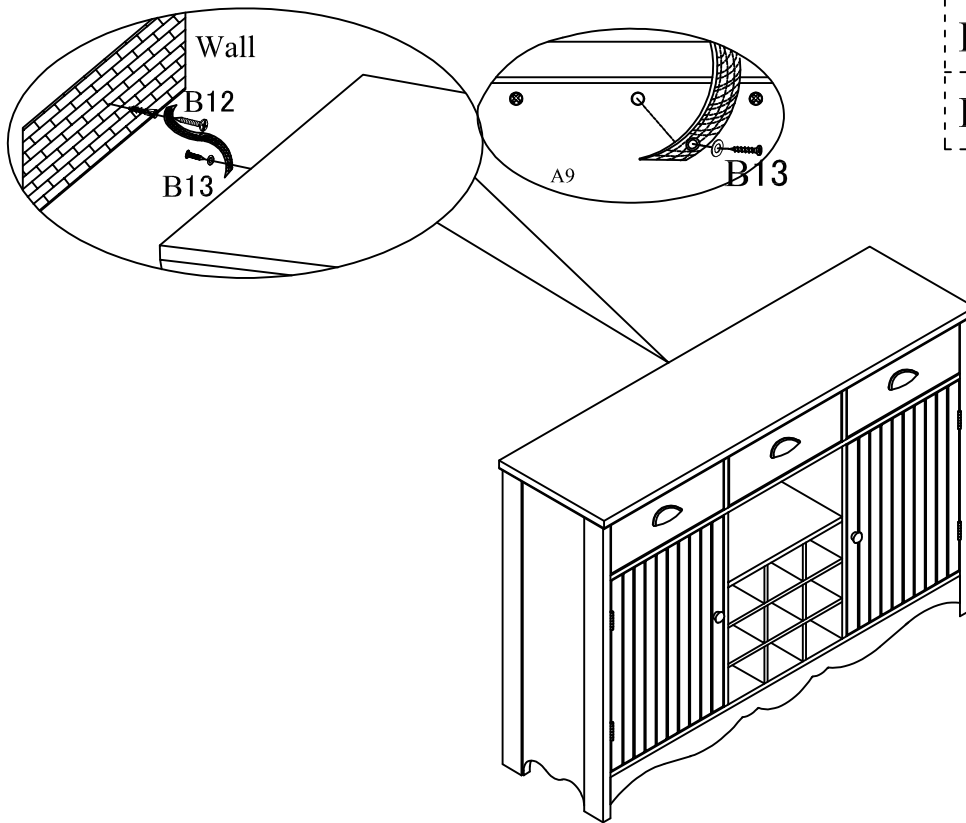
Insert the shelf supports B11 into the holes of the side panels A6 & A7 and middle dividers A2(L,R), then put the adjustable shelves A16 onto the shelf supports B11.


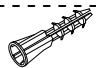

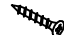
Step 13

- | | | |
|------|---|-------|
| B4 : |  | 8pcs |
| B8 : |  | 2sets |



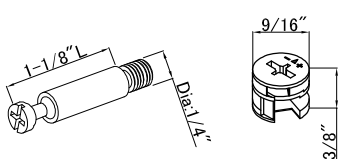
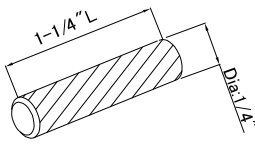
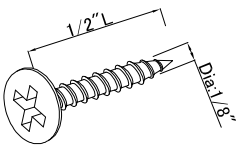
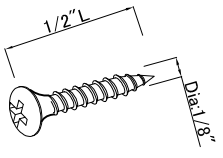
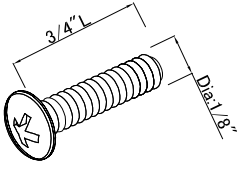
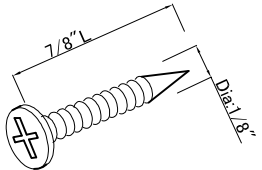
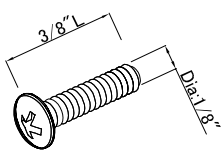
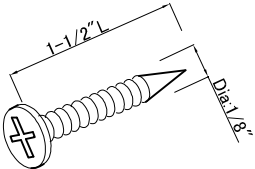
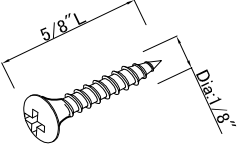
1. Assemble the doors A17 & A18 to side panels A7 & A6 using screws B4.
2. Assemble the door knobs B8 to doors A17 & A18 using included bolts.
3. Insert the drawers as shown above.



- B12 :   1set
- B13 :   1set

For your safety, please attach this unit to the wall by anti-tip kit B13 and anchor with screw B12.

APPENDIX: Dimension of Hardwares in this AI.

<p>B1&B2.</p>  <p>Cam-bolt-lock</p>	<p>B3.</p>  <p>Wood Dowel</p>	<p>B4&B6.</p>  <p>Screw</p>
<p>B5&B7.</p>  <p>Screw</p>	<p>B8.</p>  <p>Bolt</p>	<p>B9.</p>  <p>Screw</p>
<p>B10.</p>  <p>Bolt</p>	<p>B12.</p>  <p>Screw</p>	<p>B13.</p>  <p>Screw</p>