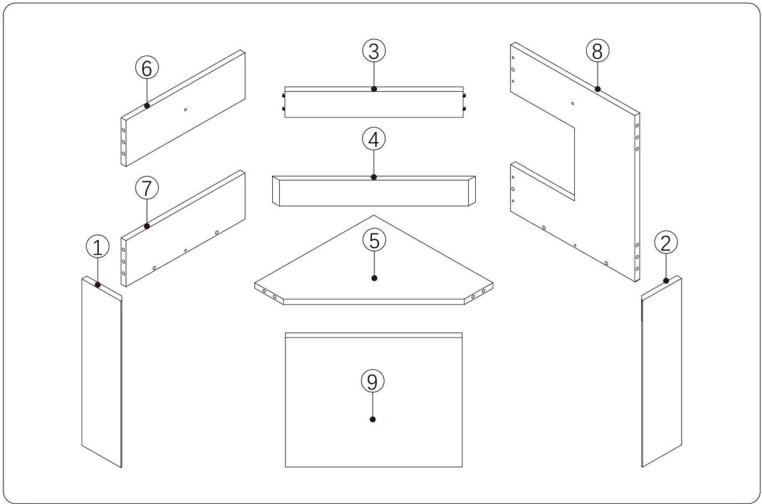


THKFBV032-1

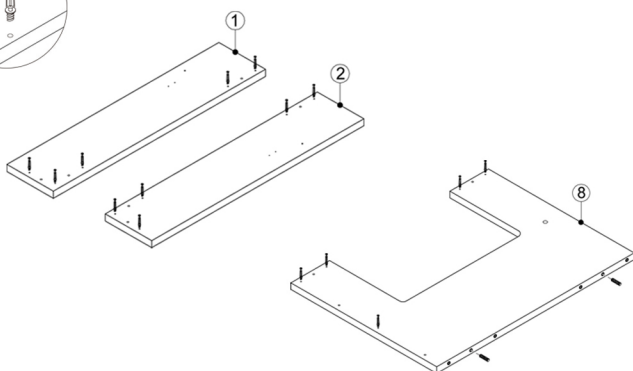
INSTALLATION INSTRUCTIONS



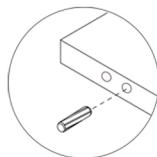
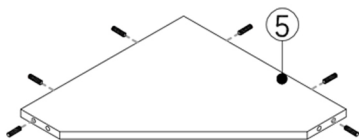
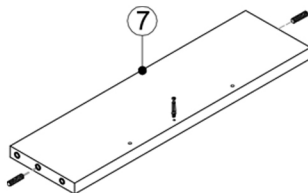
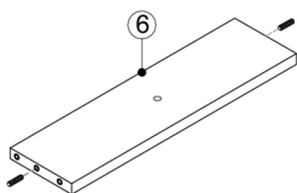
No.	Description	QTY
1	Left Side Board	1
2	Right Side Board	1
3	Connect board 3	1
4	Connect board 4	1
5	Connect board 5	1
6	Connect board 6	1
7	Connect board 7	1
8	Connect board 8	1
9	Door	1

No.	Drawing	Description	QTY
10		Three-in-one Connector	16
11		Wood Plug	12
12		Screws M4x14	12
13		Hinges	2
14		Bumper Foam	1
15		Tool For Metal Spare Parts	1
16		Screws For Fix On The Wall M5.5x60	2
17		Screws St4x25	2

Step1

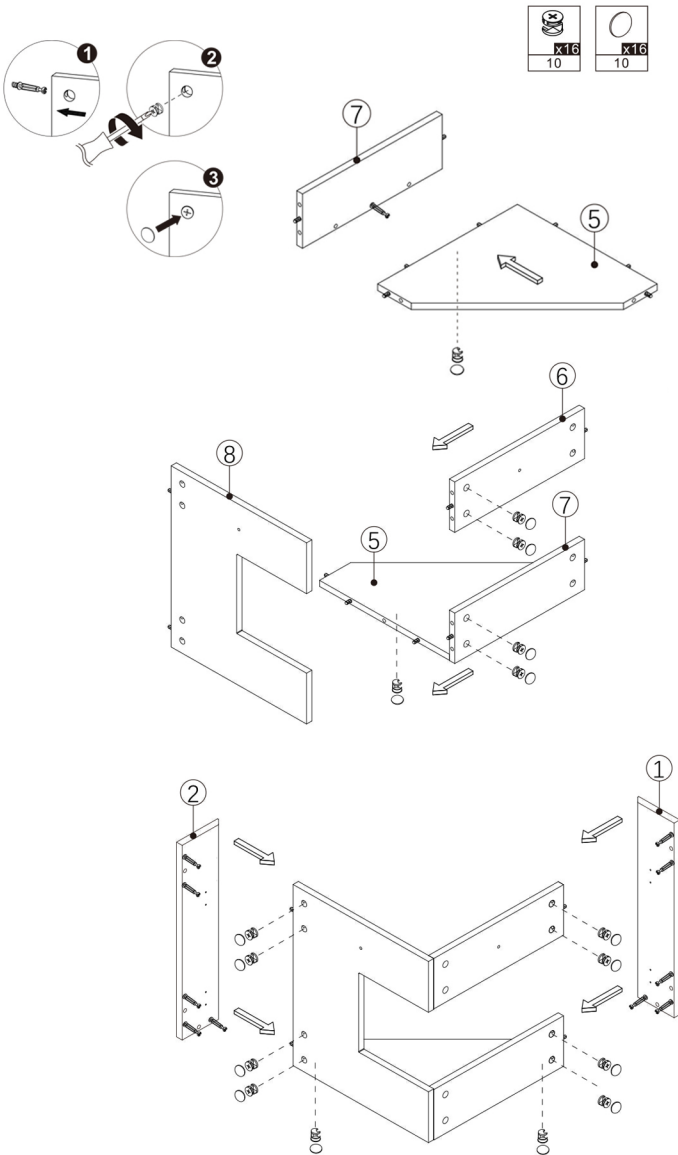


Install cam screw into above parts



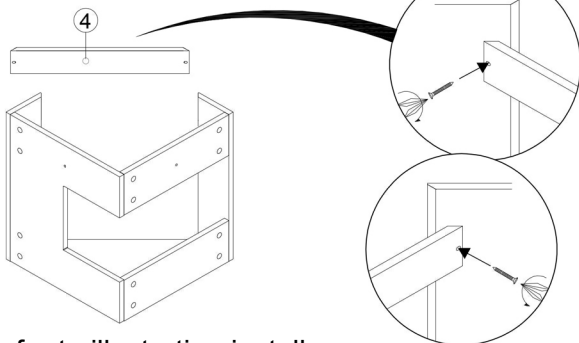
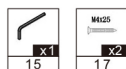
Insert wooden dowel into above parts

Step2

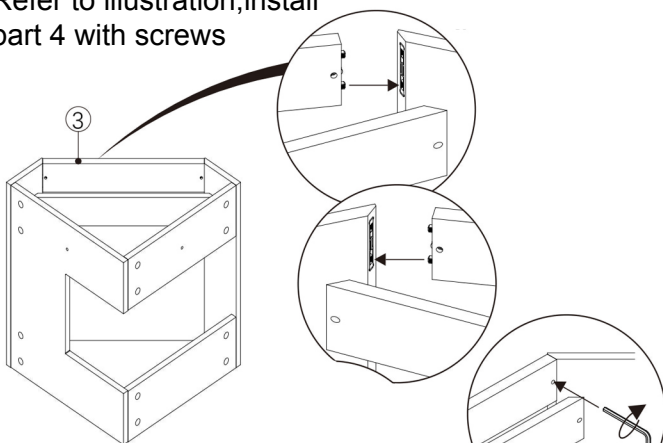


Refer to illustration, connect above parts with camlock

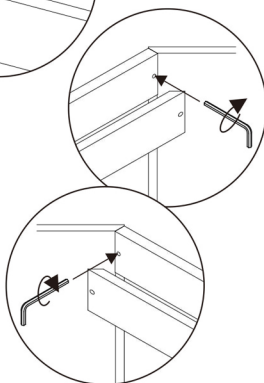
Step3



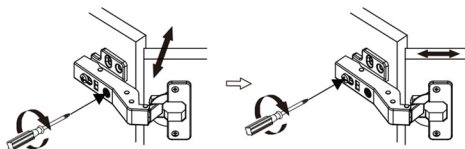
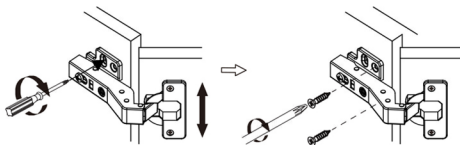
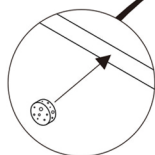
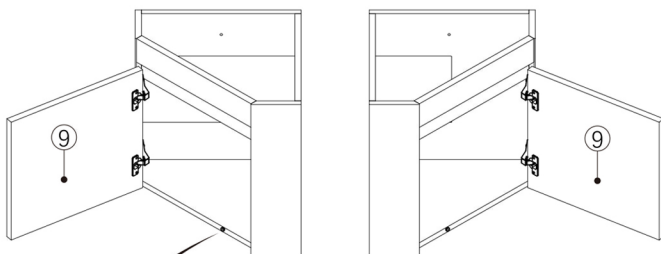
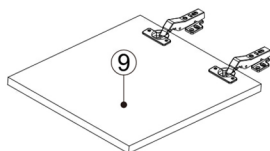
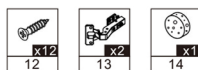
Refer to illustration, install part 4 with screws



Refer to illustration, install part 3 with tool for metal spare parts

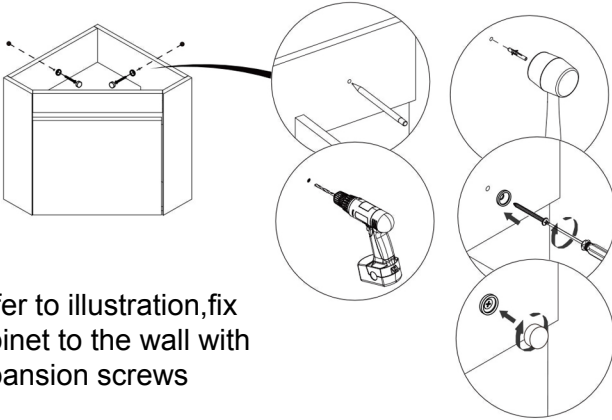
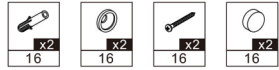


Step4

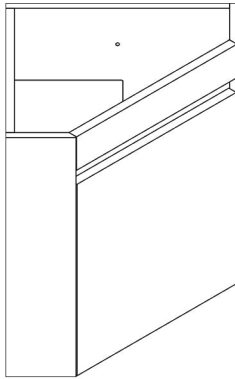


Adjust the screws as shown on the sketch map to ensure all the door gaps are in the same level.

Step5



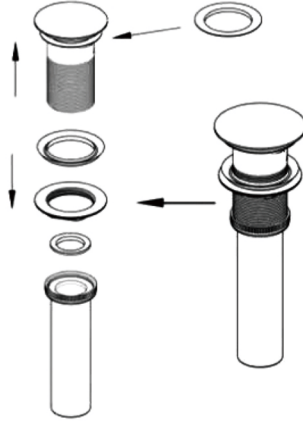
Refer to illustration, fix cabinet to the wall with expansion screws



INSTALLATION

STEP 1

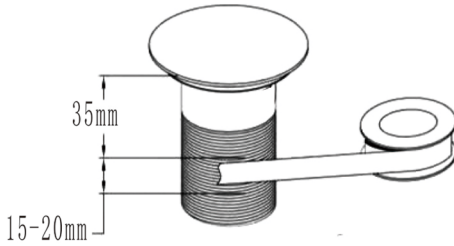
- Take apart the pop up drain and put the thin rubber washer at the top of body.



STEP 2

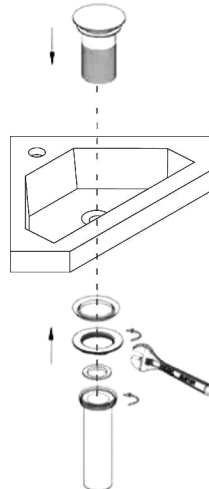
- Apply the thread seal tape and binds five or six laps around the area what the picture shows.

(Thread seal tape
five or six laps)



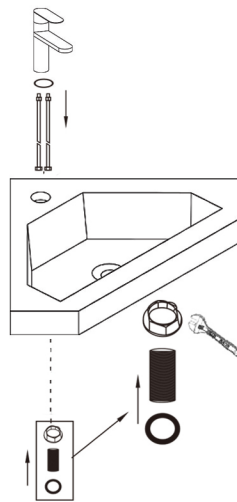
STEP 3

- Insert the drain top into the vessel. Install thick rubber washer and drain nut in turn. Tighten the drain nut and then tail piece.



STEP 4

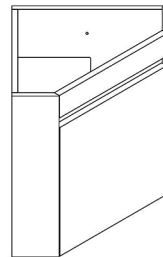
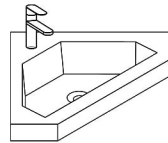
- Position the gasket under the faucet. Connect the hot and cold water pipes to the faucet. Insert the faucet into the hole. Install the rubber gasket, then the metal gasket, then the fixing bolts. Tighten the fixing bolts.



STEP 5

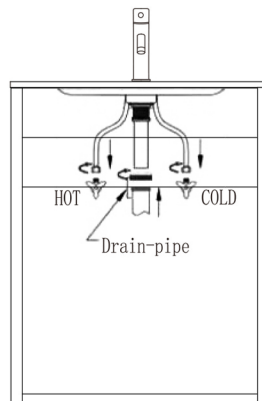
- Carefully position the vessel on the tabletop and press down firmly. Immediately wipe away any excess sealant, and fill any voids as needed.

- **CAUTION:** please do not remove the vessel before drying and reserve a installation space for the faucet.



STEP 6

- **Tips:** After the installation, please open the drain and faucet for seal test.





Thank you very much for purchasing from us.

We have always been trying to provide the best service and reliable products for every customer.

We sincerely hope you will be satisfied with our products and leave us FIVE STARS and POSITIVE feedback/review in our page.

However, accident may happen sometimes, please contact us to resolve any issue before leaving a negative feedback.

Many thanks and welcome to our shop again!

Contact number: (323) 393-8260

E-mail: service@eclifeusa.com