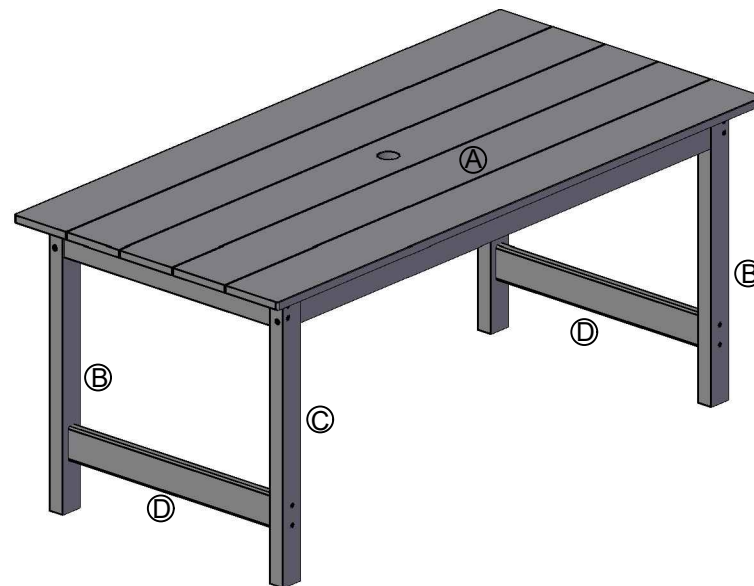


Desk

ASSEMBLY



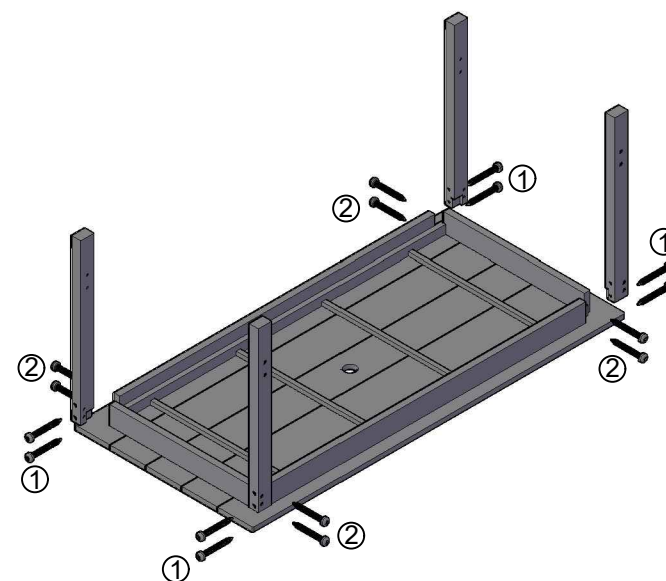
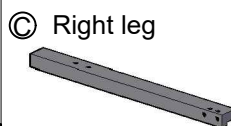
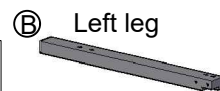
ATTENTION:

1. Please check the manual carefully and make sure you have received all the parts.
2. If there is anything missing, please let us know the letter of the needed part (see parts & hardware list below).
3. If there are any damaged pieces, please send us clear photos. We will respond promptly and offer our best support.

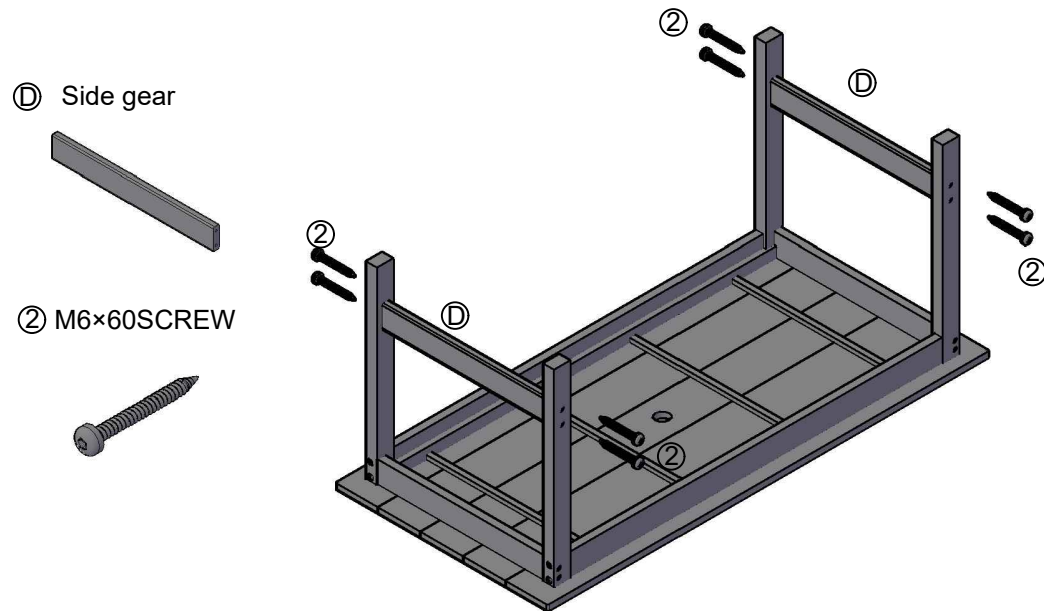


Step 1: Assemble the feet

<p>Ⓐ Desktop</p> <p>1PC</p>	<p>Ⓑ Left leg</p> <p>2PC</p>	<p>Ⓒ Right leg</p> <p>2PC</p>	<p>Ⓓ Side gear</p> <p>2PC</p>
<p>① M6×80SCREW</p> <p>8PC</p>	<p>② M6×60SCREW</p> <p>16PC</p>	<p>③ ALLEN WRENCH</p> <p>1PC</p>	



Step 2: Assemble the lower gear



Attention

Customer Support Statement

We are committed to providing you with the best customer support. If you have any questions or issues during the installation process, please contact us via email (see contact information below) and provide your phone number and address. We will provide installation support, guided videos, and offer replacement for any defective parts. We ensure that we will respond to your inquiries within 24 hours to guarantee your satisfaction. Customer satisfaction is crucial to us!

Email Contact: DollaPrincess@hotmail.com

