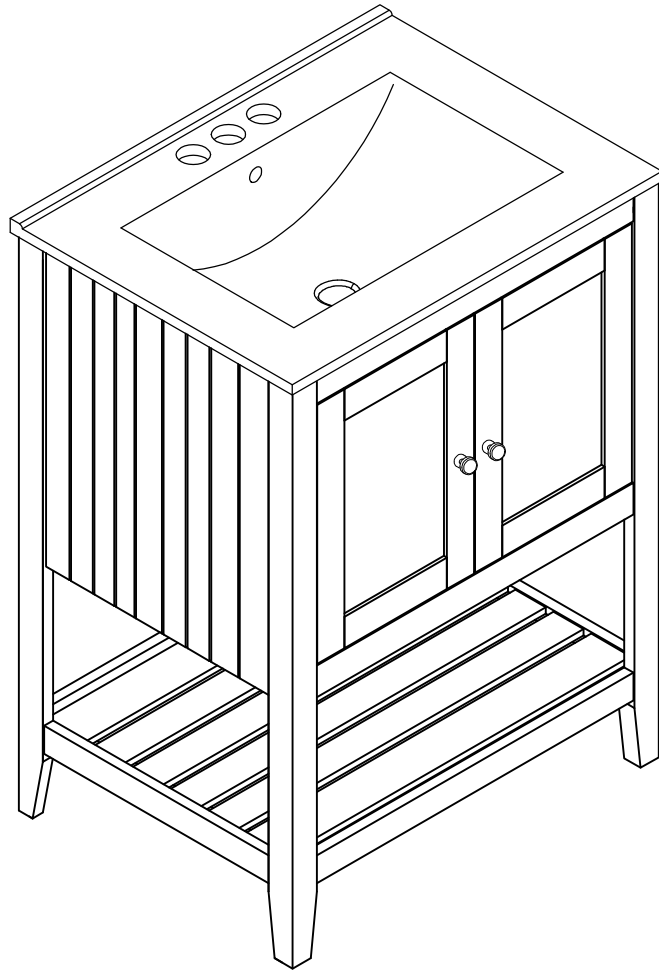


ASSEMBLY INSTRUCTIONS
24INCH BATHROOM VANITY (COMBO)



Thank you for buying our products.

Please read the installation manual carefully before installation,

we need you to follow the instructions on the accessories and hardware

step by step assembly complete, our instructions are very detailed.

Products are environmentally friendly products,

Please rest assured that you do not soak in water, do not place very heavy items,

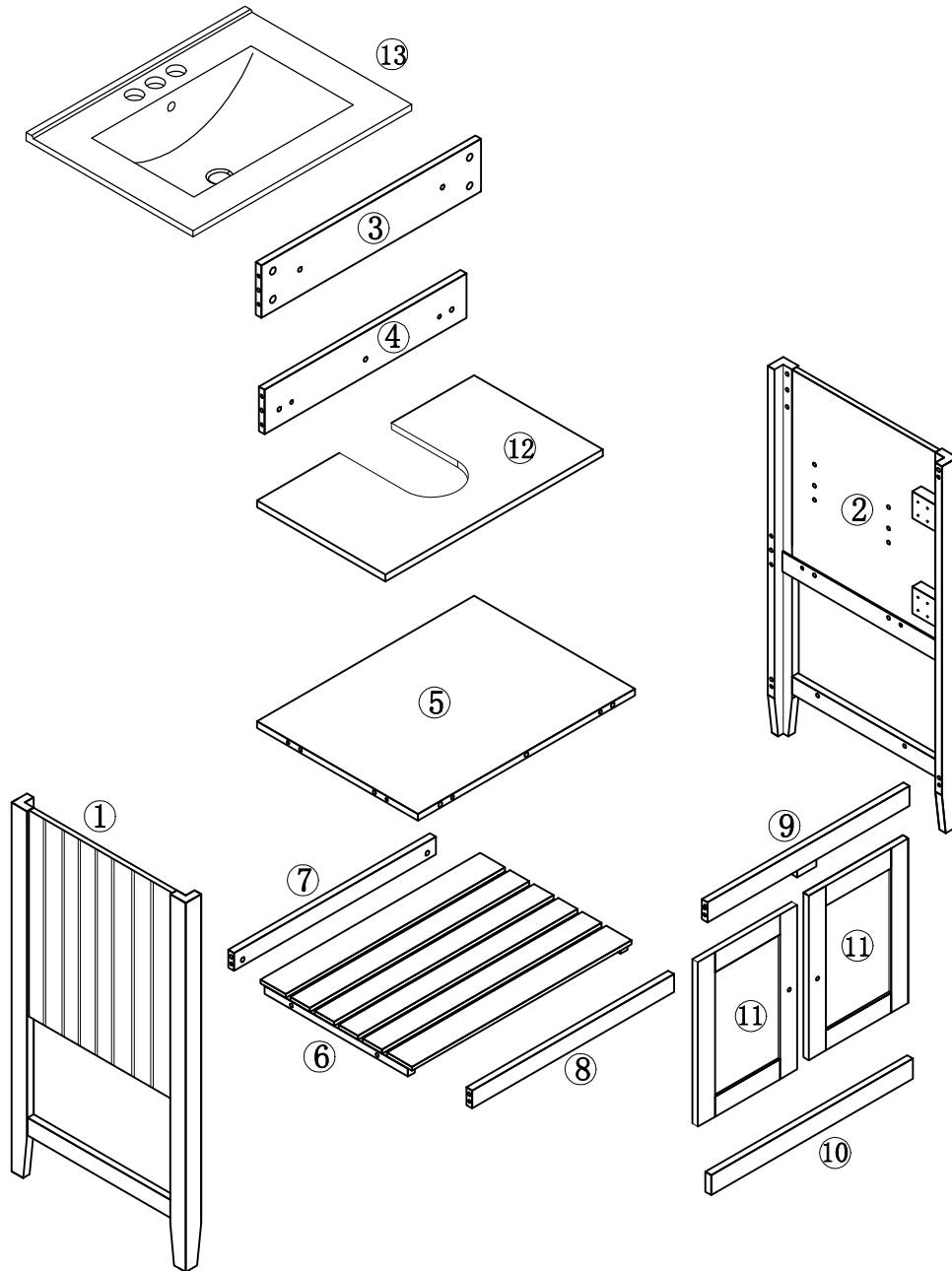
do not malicious push and pull,

if you have any problems in the process of assembly and use, please contact us.

Thank you again for your purchase of our products,


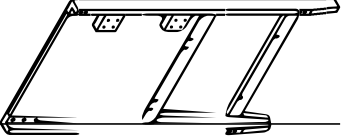
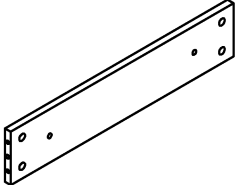
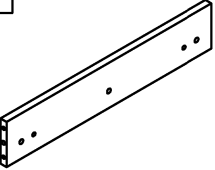
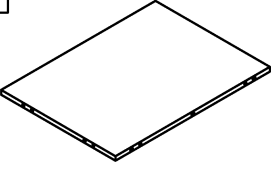
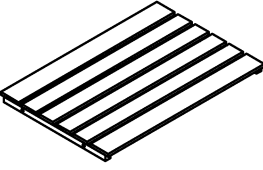
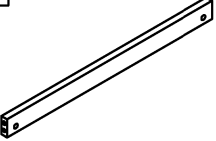
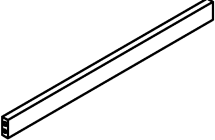
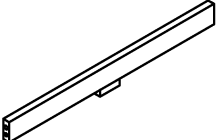
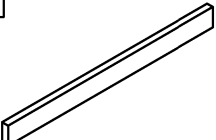
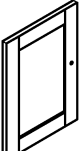
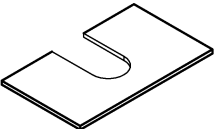
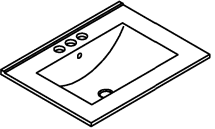
I wish you a happy life.

Detail View - BATHROOM VANITY


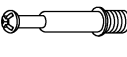

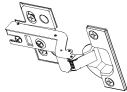


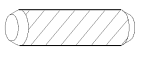
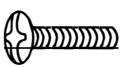
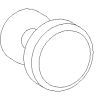
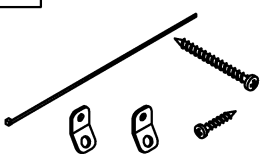
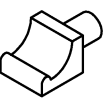


Identifying the Hardware-Identify the hardware using the illustrations below.

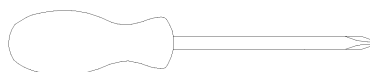
Part List

<p>1</p>  <p>Left side box - 1pc</p>	<p>2</p>  <p>Right side box - 1pc</p>	<p>3</p>  <p>Rear upper cross plate - 1pc</p>
<p>4</p>  <p>Rear middle cross plate - 1pc</p>	<p>5</p>  <p>Laminate - 1pc</p>	<p>6</p>  <p>Tray - 1pc</p>
<p>7</p>  <p>Rear lower cross plate - 1pc</p>	<p>8</p>  <p>Front lower cross plate - 1pc</p>	<p>9</p>  <p>Front upper cross plate - 1pc</p>
<p>10</p>  <p>Front middle cross plate - 1pc</p>	<p>11</p>  <p>cabinet door - 2pcs</p>	<p>12</p>  <p>Adjustable Shelf - 1pc</p>
<p>13</p>  <p>Sink - 1pc</p>		

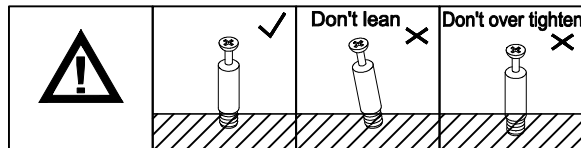
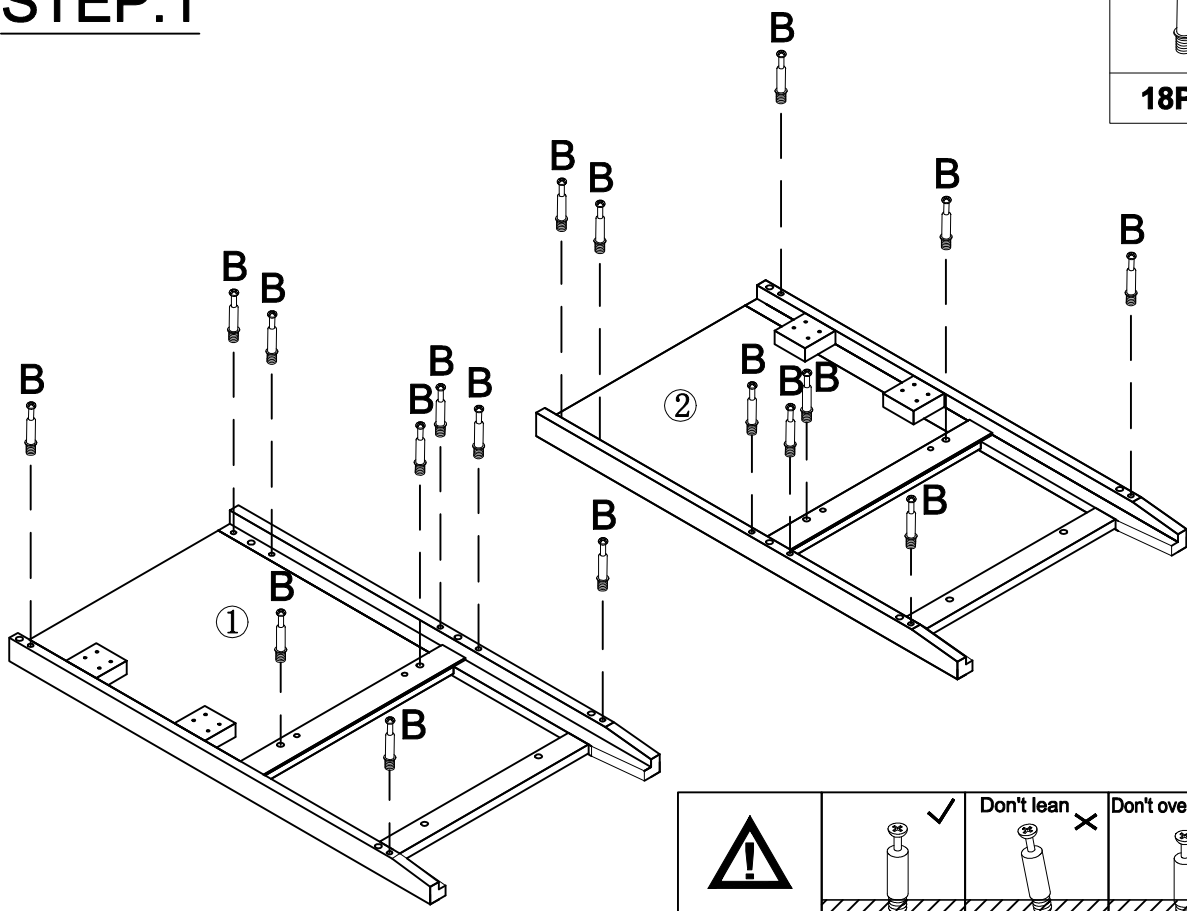
Hardware List

<p>A</p>  <p>ø12x1/4"x28mm</p>	<p>B</p>  <p>ø6x35mm</p>	<p>C</p>  <p>ø14.5x12mm</p>
<p>Hex-Head bolts(4pcs) Three in one bolts(24pcs) Three in one lock(24pcs)</p>		
<p>D</p> 	<p>E</p>  <p>ø7xø3.5x12mm</p>	<p>F</p>  <p>4mm</p>
<p>Damping hinge(4pcs) Flat head screw(24pcs) Allen key(1pcs)</p>		
<p>G</p>  <p>ø8x30mm</p>	<p>H</p>  <p>ø5/32"x20mm</p>	<p>J</p>  <p>ø10xø30mm</p>
<p>Wood dowel(18pcs) Handle screw(2pcs) handle(2pcs)</p>		
<p>K</p> 	<p>L</p> 	
<p>Anti fall hardware(1set) Laminate pad(4pcs)</p>		

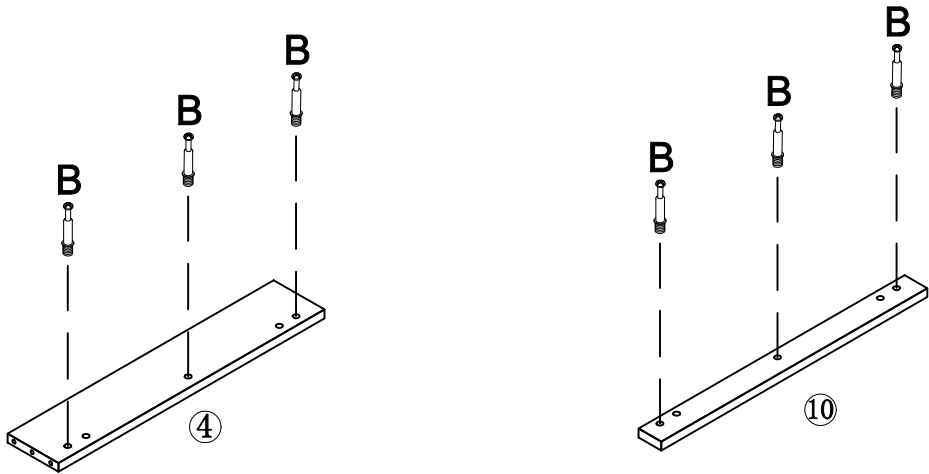
ASSEMBLY TOOLS REQUIRED (NOT INCLUDED)




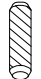
STEP:1

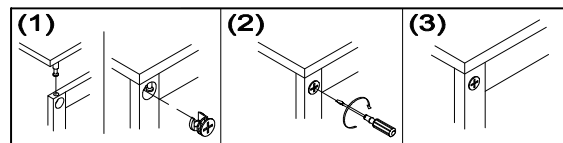
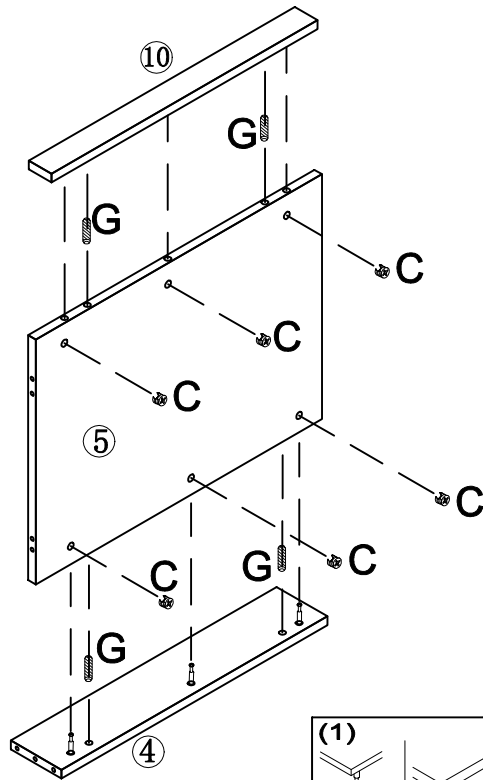


STEP:2



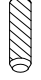


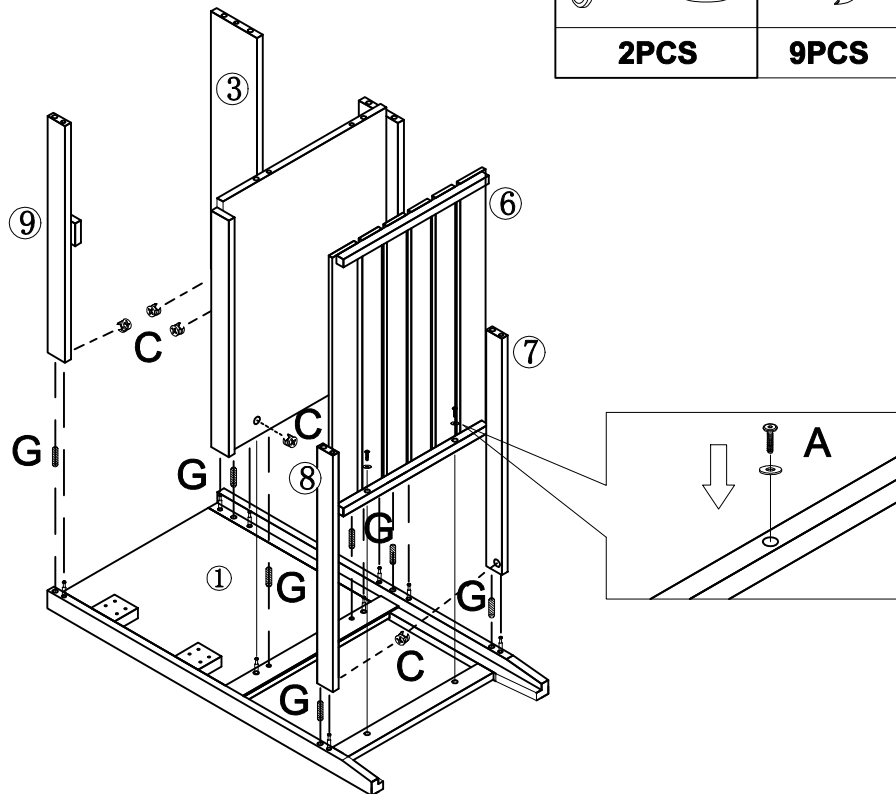
STEP:3

C		G	
6PCS		4PCS	






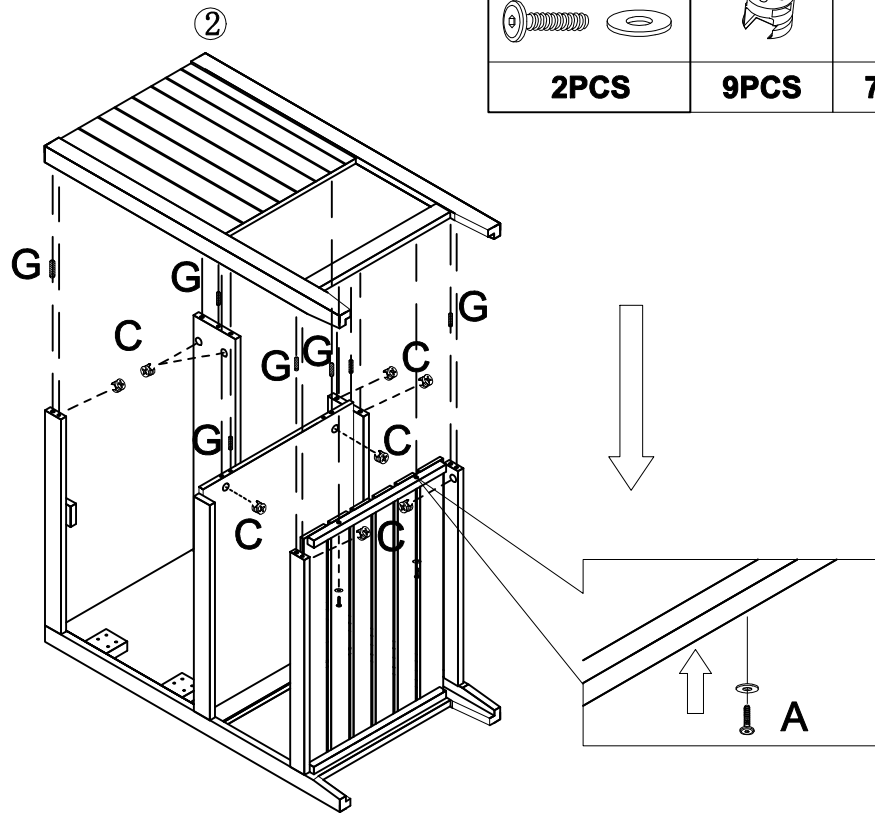
STEP:4

A		C		G	
2PCS		9PCS		7PCS	

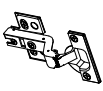
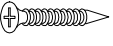


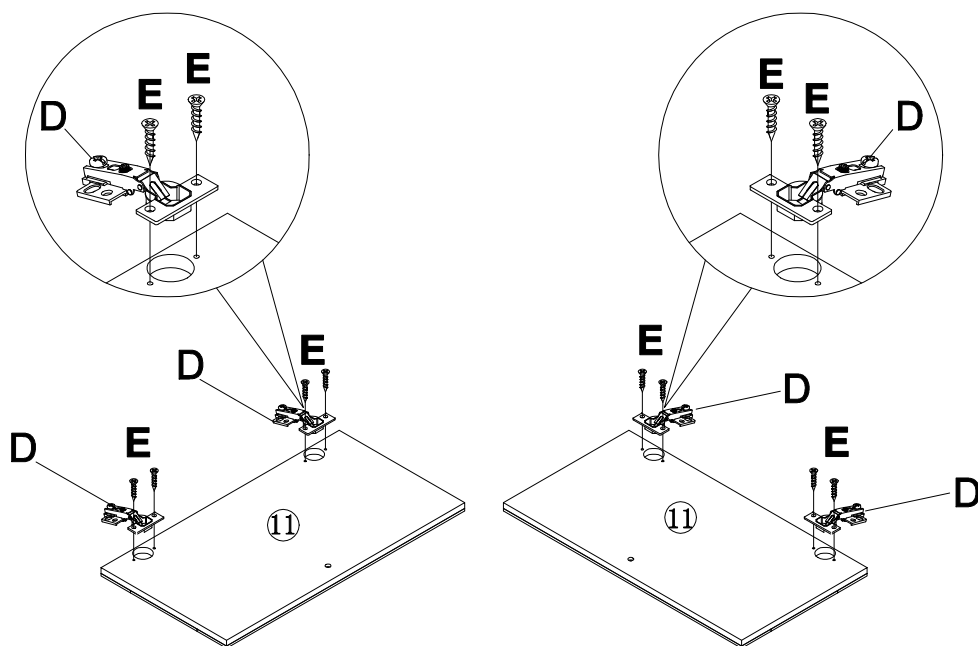
STEP:5

A	C	G
		
2PCS	9PCS	7PCS

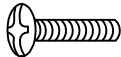




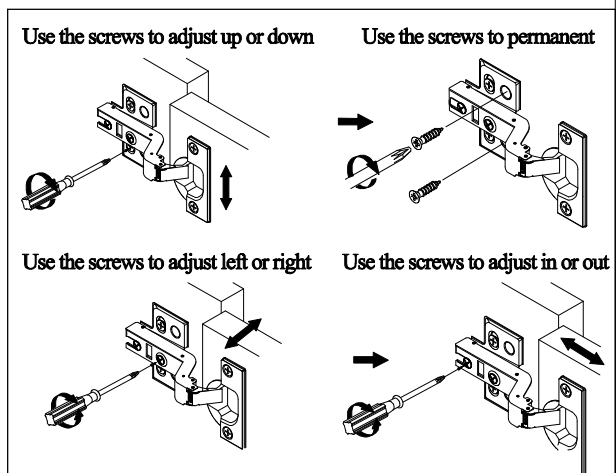
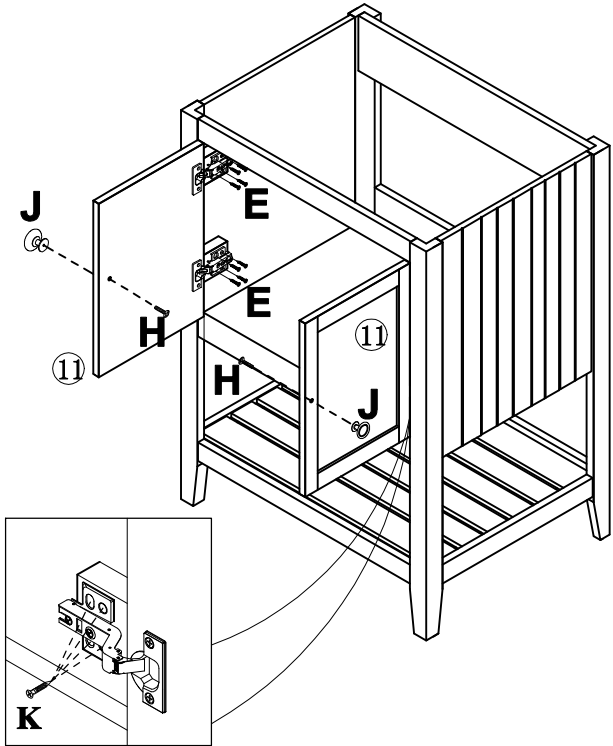
STEP:6

D	E
	
4PCS	8PCS




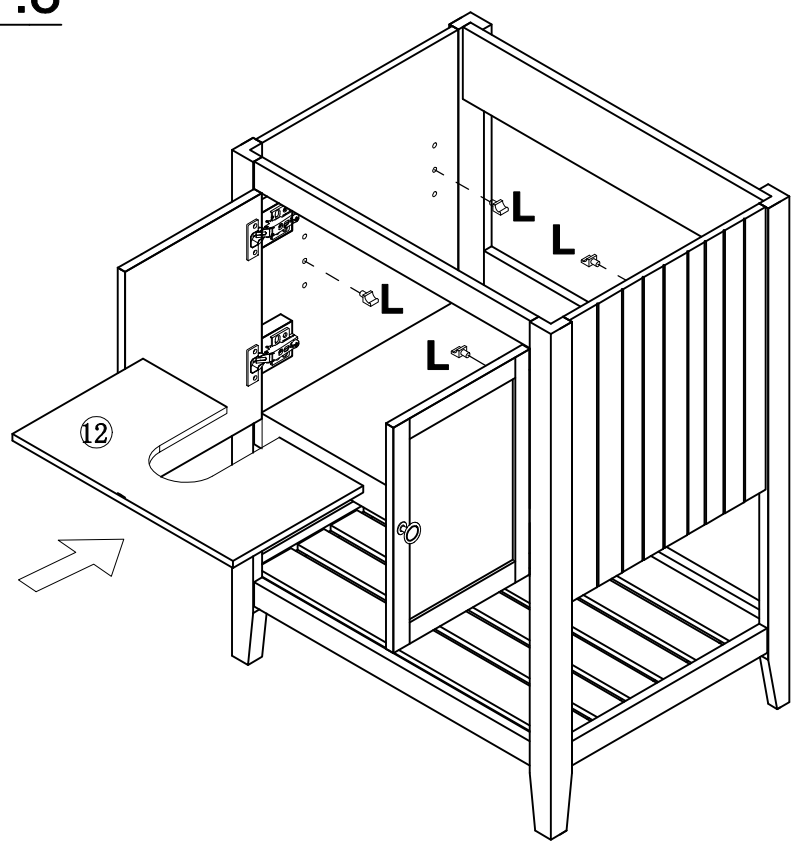
STEP:7

H	J	E
		
2PCS	2PCS	16PCS

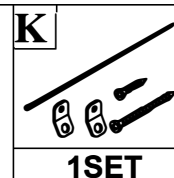
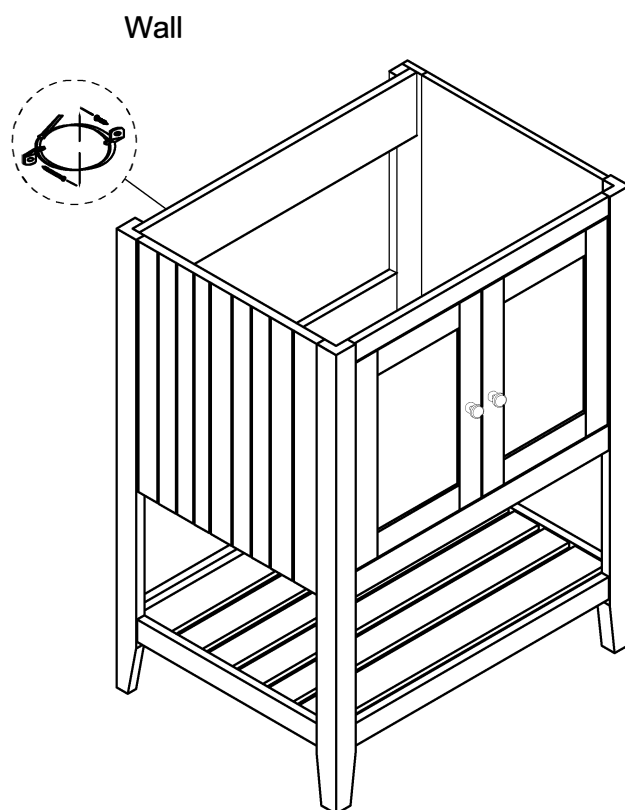


STEP:8

L

4PCS

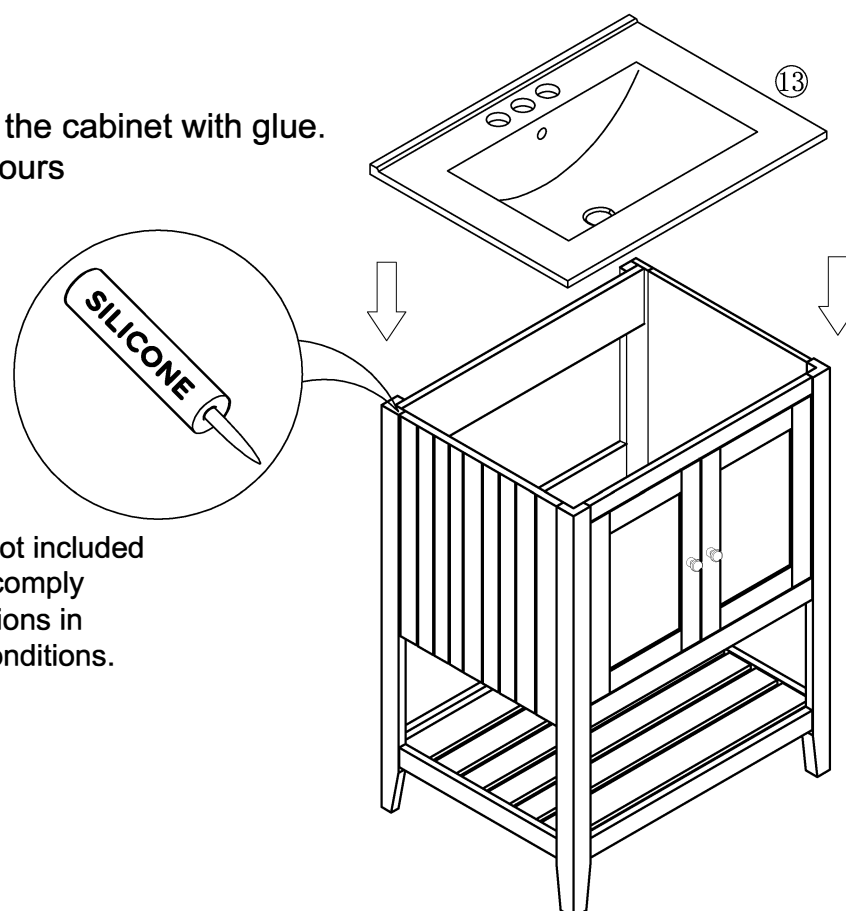


STEP: 9



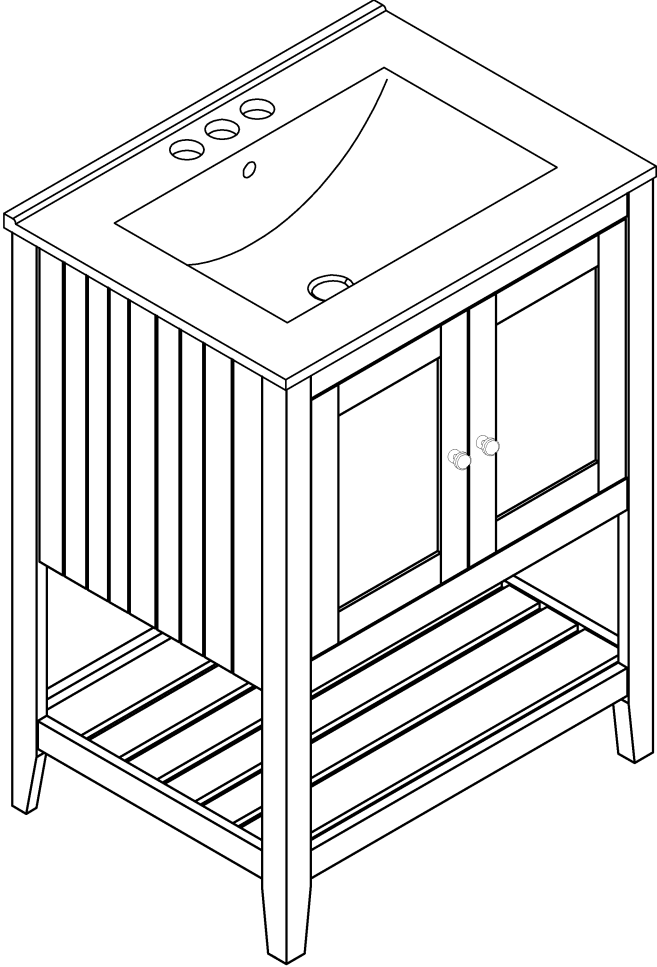
STEP: 10

Install the sink on the cabinet with glue.
Let stand for 24 hours

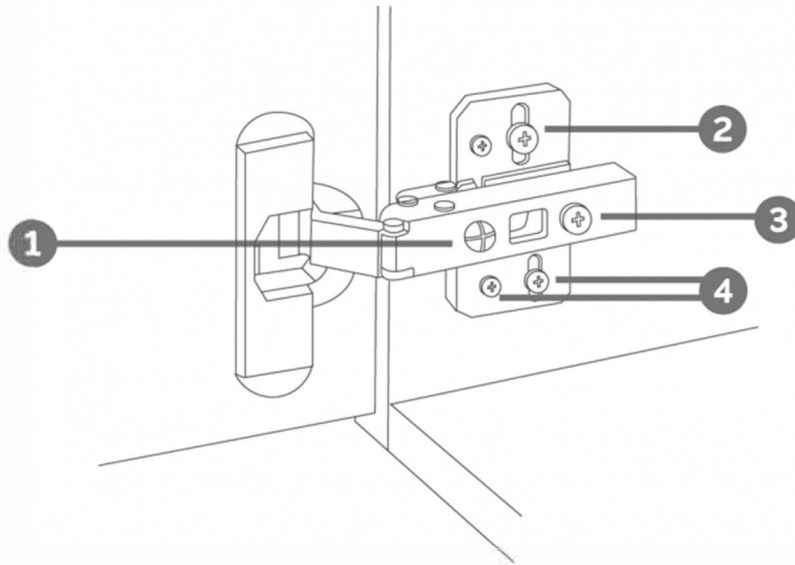


*Silicone glue is not included
in the package to comply
with safety regulations in
certain shipping conditions.

STEP: 11

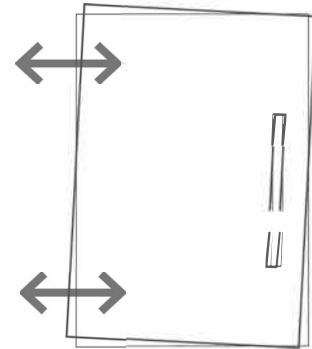


HINGE ADJUSTMENTS



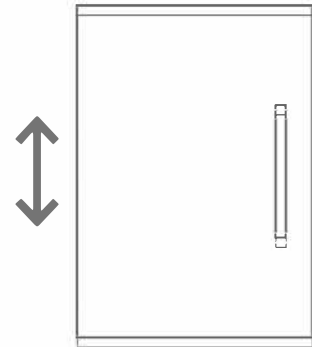
1 Sideways / Tilt adjustment

Turn the screw
clockwise to move the door further away from
the side of the cabinet
anticlockwise to move the door closer to the
side of the cabinet



2 4 Height adjustment

While supporting the weight of the door, turn the
screws
clockwise to move the door up
anticlockwise to move the door down



3 Forward and back adjustment

If the gap between the back of the door and the
cabinet is too small, and the door may not close
fully. Turn the screw
clockwise to decrease the gap between the
door and the cabinet
anticlockwise to increase the gap between the
door and the cabinet

