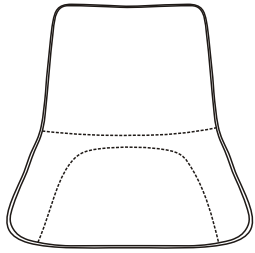
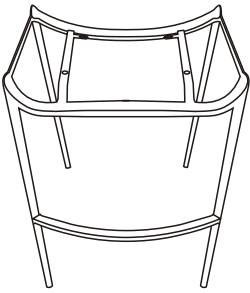














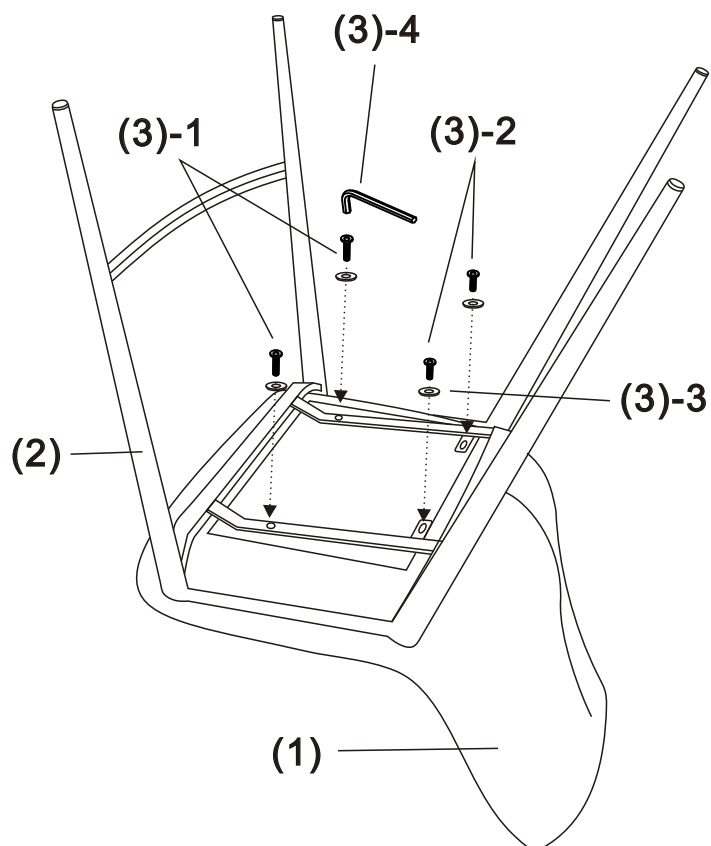
**ITEM NAME /NOM D' ITEM: COUNTER CHAIR  
(GRAY&WALNUT)**

**PART LIST/Liste des pièces**

(1)	(2)	(3)																
 <p style="text-align: right;"><b>X1</b></p>	 <p style="text-align: right;"><b>X1</b></p>	<table border="0"> <tr> <td style="vertical-align: top;">1.</td> <td style="text-align: center;"></td> <td style="vertical-align: top;">X2</td> <td style="vertical-align: top;">M4*25mm</td> </tr> <tr> <td style="vertical-align: top;">2.</td> <td style="text-align: center;"></td> <td style="vertical-align: top;">X2</td> <td style="vertical-align: top;">M4*20mm</td> </tr> <tr> <td style="vertical-align: top;">3.</td> <td style="text-align: center;"></td> <td style="vertical-align: top;">X4</td> <td></td> </tr> <tr> <td style="vertical-align: top;">4.</td> <td style="text-align: center;"></td> <td style="vertical-align: top;">X1</td> <td></td> </tr> </table>	1.		X2	M4*25mm	2.		X2	M4*20mm	3.		X4		4.		X1	
1.		X2	M4*25mm															
2.		X2	M4*20mm															
3.		X4																
4.		X1																

**INSTRUCTION**

**A**



**B**

