

# ASSEMBLY INSTRUCTION





# **SAFETY WARNINGS**

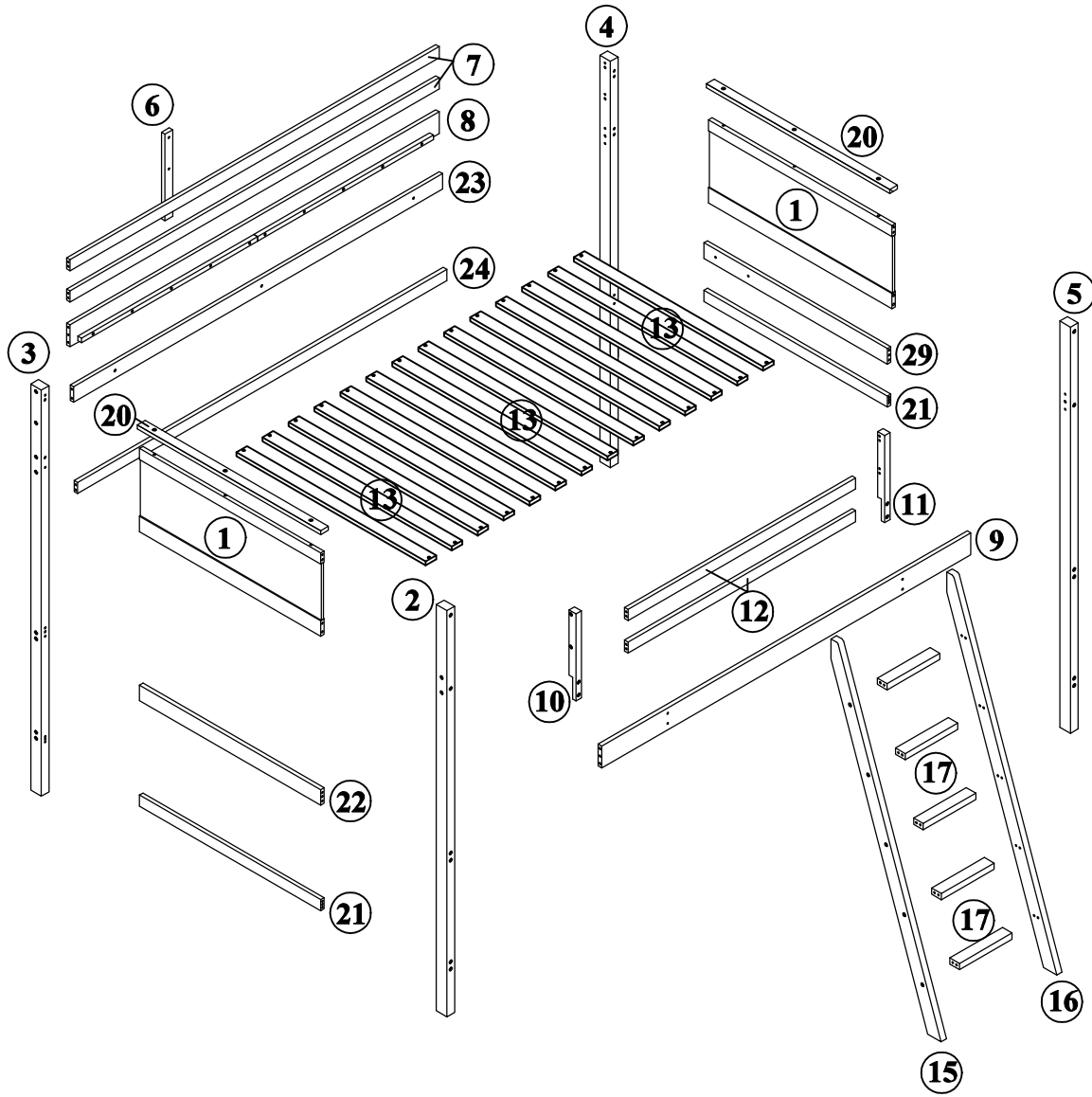


1. This bed is designed for use only mattress(es) meeting the following specifications on the upper bunk:  
Upper bunk (bunk bed and tribed included)

<b>Bed Type</b>	<b>Length</b>	<b>Width</b>	<b>Thickness</b>
<b><i>Twin Standard</i></b>	<b><i>74"-75"</i></b>	<b><i>37 ½"-38 ½"</i></b>	<b><i>6" max</i></b>

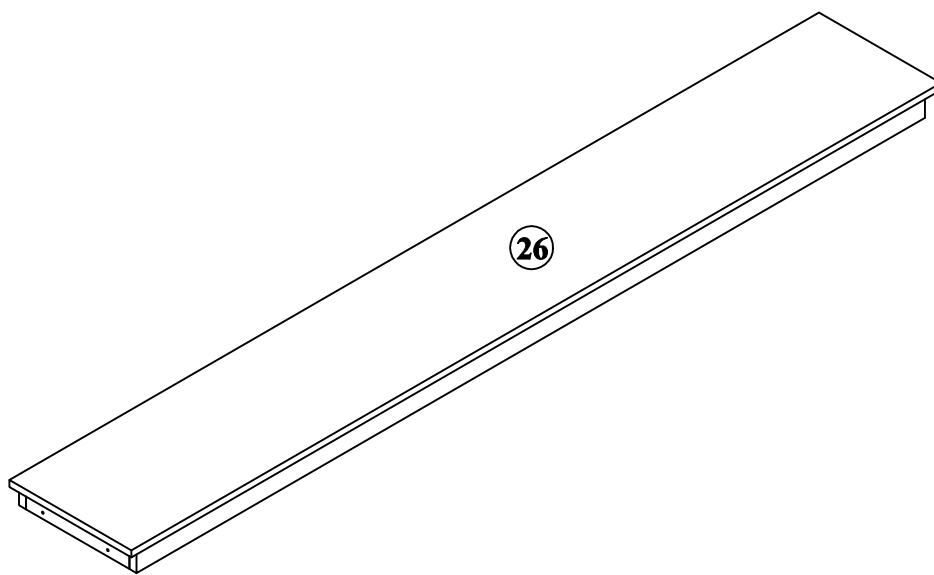
2. Replacement parts, including additional guardrails, maybe obtained from any of our (GIGACLOUD TECHNOLOGY (USA) INC. 18961 ARENTH AVENUE CITY OF INDUSTRY, CA, 91748) dealers.
3. Follow the information on the warnings appearing on the upper bunk bed end structure and on the carton. Do not remove warning label from bed.
4. Always use the recommended size mattresses or mattress supports, or both, to help prevent the likelihood of entrapment or falls.
5. Surface of the mattress must be at least 5" . (127 mm) below the upper edge of guardrails.
6. Do not allow children under 6 years of age to use the upper bunk.
7. Periodically check and ensure that the guardrail, ladder, and other components are in their proper position, free from damage, and that all connectors are tight.
8. Do not allow horseplay on or under the bed and prohibit jumping on the bed
9. Always use the ladder for entering and leaving the upper bunk.
10. Do not use substitute parts. Contact the manufacturer or dealer for replacement parts.
11. Use of a night light may provided added safety precaution for a child using the upper bunk.
12. Always use guardrails on both long sides of the upper bunk. If the bunk bed will be placed next to the wall, the guardrail that runs the full length of the bed should be placed against the wall to prevent entrapment between the bed and wall.
13. The use of water or sleep flotation mattresses is prohibited.
14. **STRANGULATION HAZARD** – Never attach or hang items to any part of the bunk bed that are not designed for use with the bed; for example, but not limited to, hook, belts and jump ropes.
15. Keep these instructions for future reference
16. Prohibit more than one person on upper bunk.
17. We recommend assembling your bunk bed on the shipping carton to protect your floor or carpet.
18. Be certain all staples are out of the box before beginning assembly on the shipping carton.

# Detail View - TWIN BED

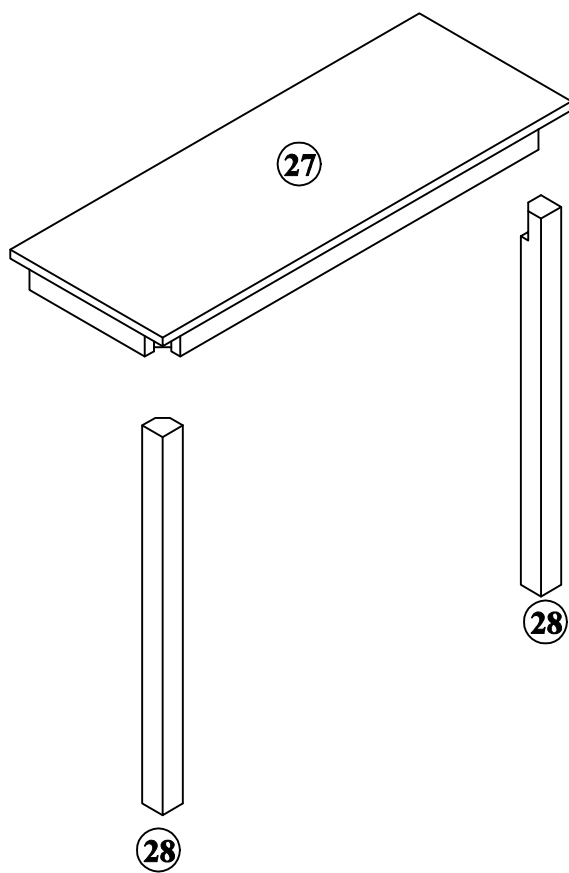


**Identifying the Hardware - Identify the hardware using the illustrations below.**

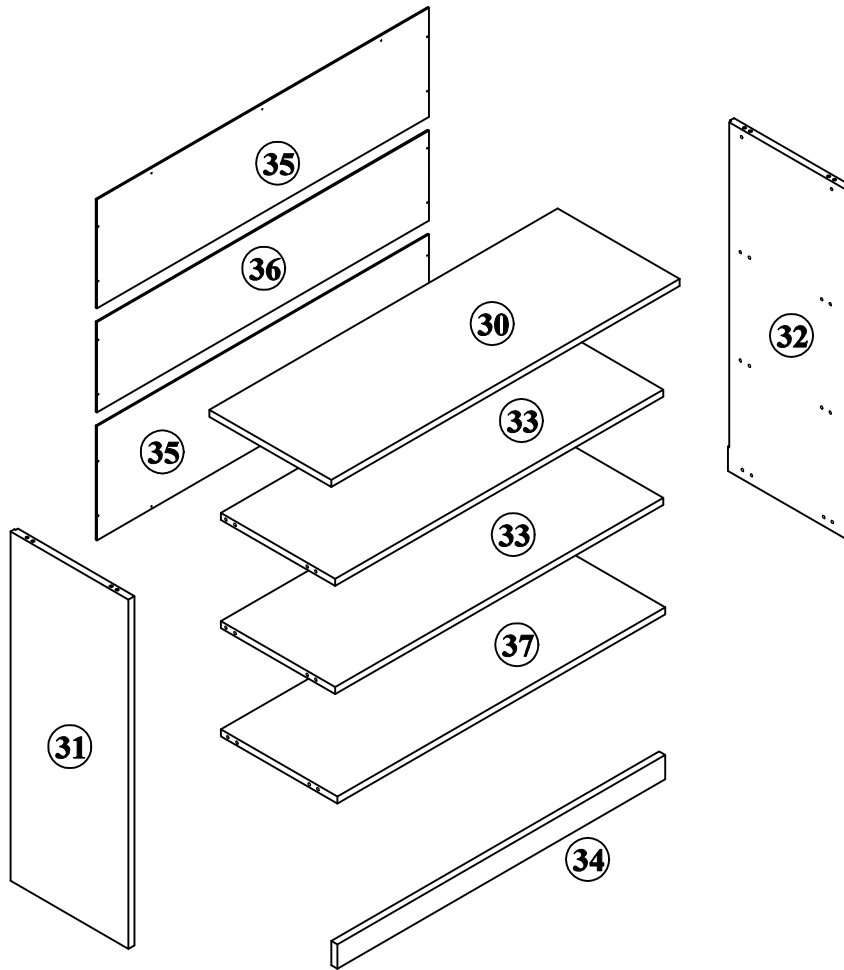
# Detail View - HORIZONTAL LONG DESK

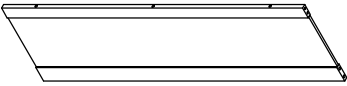
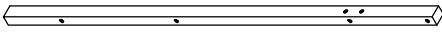
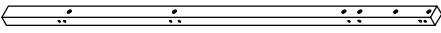
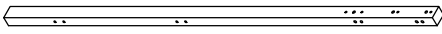
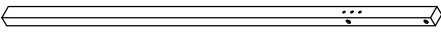


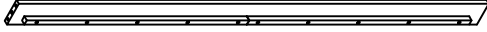

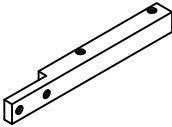
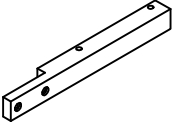
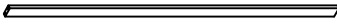
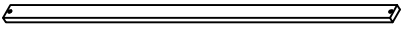
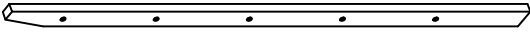


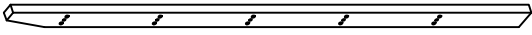
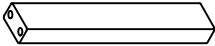

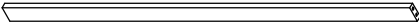
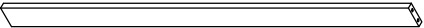
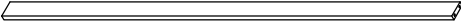


## Detail View - L DESK



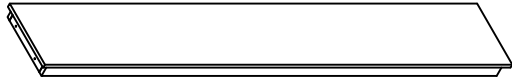
# Detail View - THREE-LAYER SHELF



<p><b>1</b></p>  <p>Headboard - 2pcs</p>	<p><b>2</b></p>  <p>Left front bed column- 1pc</p>
<p><b>3</b></p>  <p>Left rear bed column - 1pc</p>	<p><b>4</b></p>  <p>Right rear bed column - 1pc</p>
<p><b>5</b></p>  <p>Right front bed column- 1pc</p>	<p><b>6</b></p>  <p>Support timber -1pc</p>
<p><b>7</b></p>  <p>Rear guard rail - 2pcs</p>	<p><b>8</b></p>  <p>Bed side plate - 1pc</p>
<p><b>9</b></p>  <p>Bed side plate - 1pc</p>	<p><b>10</b></p>  <p>Left front guard rails support - 1pc</p>
<p><b>11</b></p>  <p>Right front guard rails support - 1pc</p>	<p><b>12</b></p>  <p>Rear guard rail - 2pcs</p>
<p><b>13</b></p>  <p>Bed board - 14pcs</p>	<p><b>15</b></p>  <p>Bed ladder column - 1pc</p>

<p><b>16</b></p>  <p><b>Bed ladder column - 1pc</b></p>	<p><b>17</b></p>  <p><b>Step of bed ladder - 5pcs</b></p>
<p><b>20</b></p>  <p><b>Headboard cap -2pcs</b></p>	<p><b>21</b></p>  <p><b>Horizontal board - 2pcs</b></p>
<p><b>22</b></p>  <p><b>Horizontal board - 1pc</b></p>	<p><b>23</b></p>  <p><b>Horizontal board - 1pc</b></p>
<p><b>24</b></p>  <p><b>Horizontal board - 1pc</b></p>	<p><b>29</b></p>  <p><b>Horizontal board - 1pc</b></p>

26



Horizontal long desk - 1pc

27



Bottom plate - 1pc

28

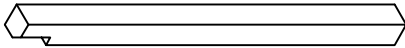
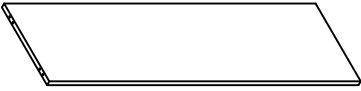
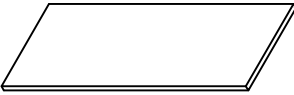
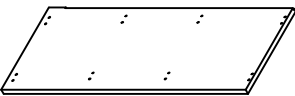
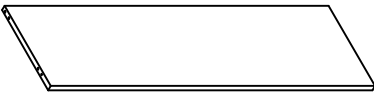
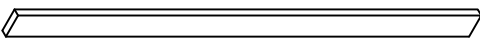
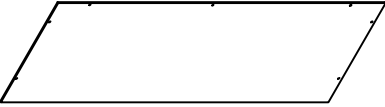


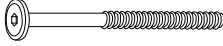
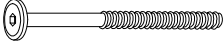






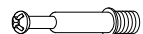



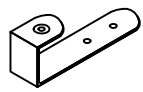


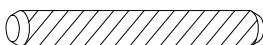
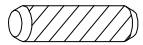
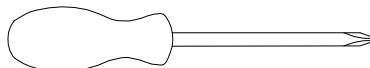


Table legs - 2pcs

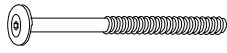


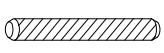
<p><b>30</b></p>  <p><b>Panel - 1pc</b></p>	<p><b>31</b></p>  <p><b>Right rear side - 1pc</b></p>
<p><b>32</b></p>  <p><b>Right front side - 1pc</b></p>	<p><b>33</b></p>  <p><b>Shelf - 2pcs</b></p>
<p><b>34</b></p>  <p><b>Horizontal board - 1pc</b></p>	<p><b>35</b></p>  <p><b>Back panel - 2pcs</b></p>
<p><b>36</b></p>  <p><b>Back panel - 1pc</b></p>	<p><b>37</b></p>  <p><b>Shelf - 1pc</b></p>

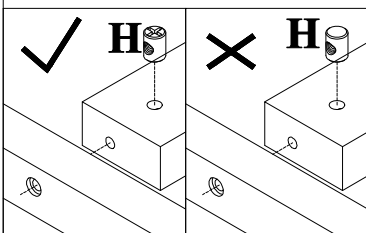
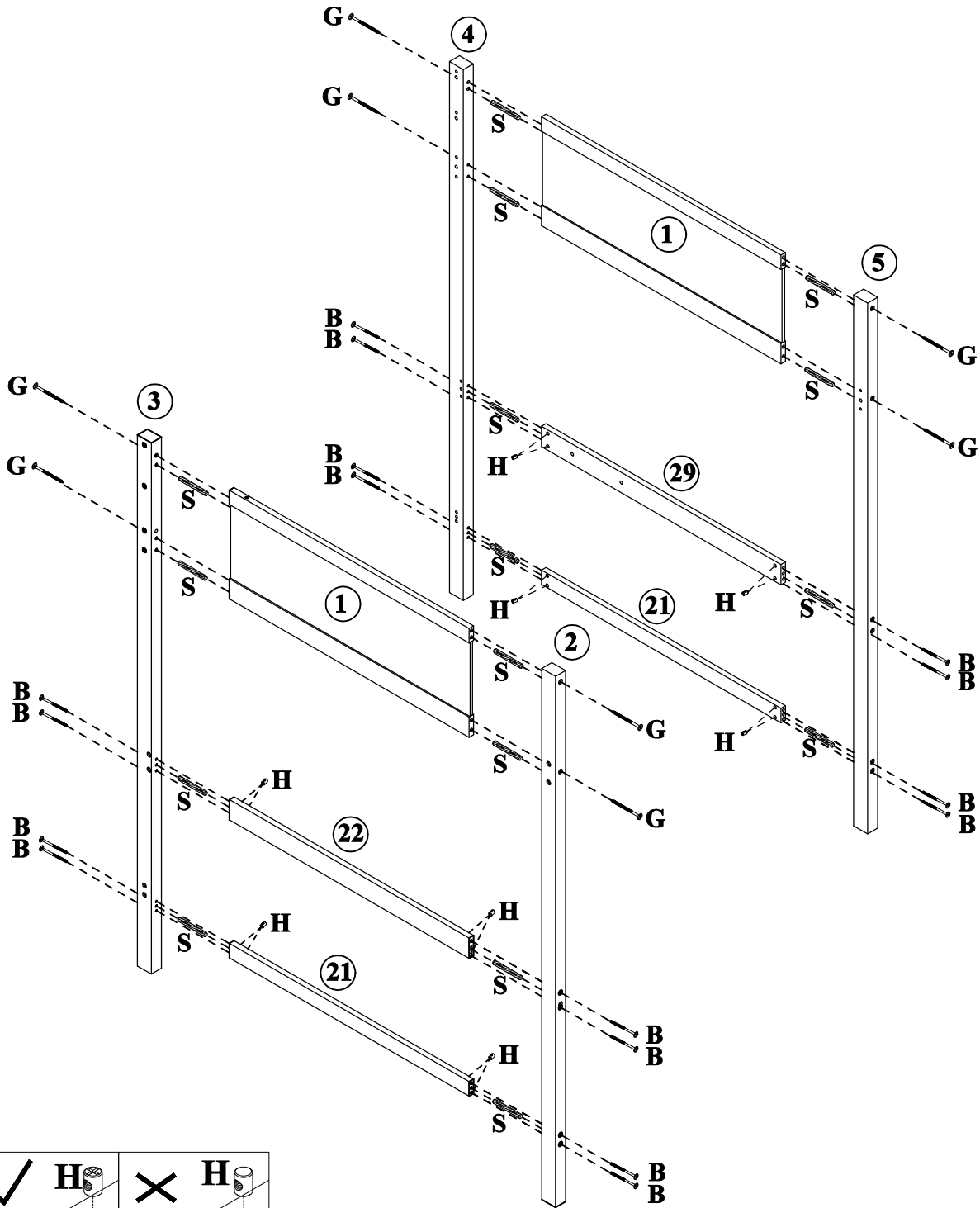
<b>A</b>	 ø13x1/4"x80mm	<b>B</b>	 ø13x1/4"x90mm	<b>C</b>	 ø13x1/4"x55mm
Hex-Head bolts(16pcs)		Hex-Head bolts(16pcs)		Hex-Head bolts(4pcs)	
<b>D</b>	 ø13x1/4"x30mm	<b>E</b>	 ø13x1/4"x30mm	<b>F</b>	 ø13x1/4"x50mm
Hex-Head bolts(4pcs)		Hex-Head screw(19pcs)		Hex-Head screw(14pcs)	
<b>G</b>	 ø13x1/4"x80mm	<b>H</b>	 ø10x13mm	<b>I</b>	 ø6x35mm
Hex-Head screw(12pcs)		Horizontal-Hole bolts(32pcs)		Three in one bolts(16pcs)	
<b>J</b>	 ø14.5x12mm	<b>K</b>	 ø8xø4x30mm	<b>L</b>	 ø7xø3x12mm
Three in one lock(16pcs)		Round head screw(31pcs)		Round head screw(24pcs)	
<b>M</b>	 ø75x23x24mm	<b>N</b>	 ø7xø3.5x18mm	<b>R</b>	 4mm
Stair hook(2pcs)		Flat head screw(6pcs)		Allen key(1pc)	
<b>S</b>	 ø10x40mm	<b>T</b>	 ø8x30mm		
Wood dowel(42pcs)		Wood dowel(20pcs)			

**ASSEMBLY TOOLS REQUIRED ( NOT INCLUDED )**




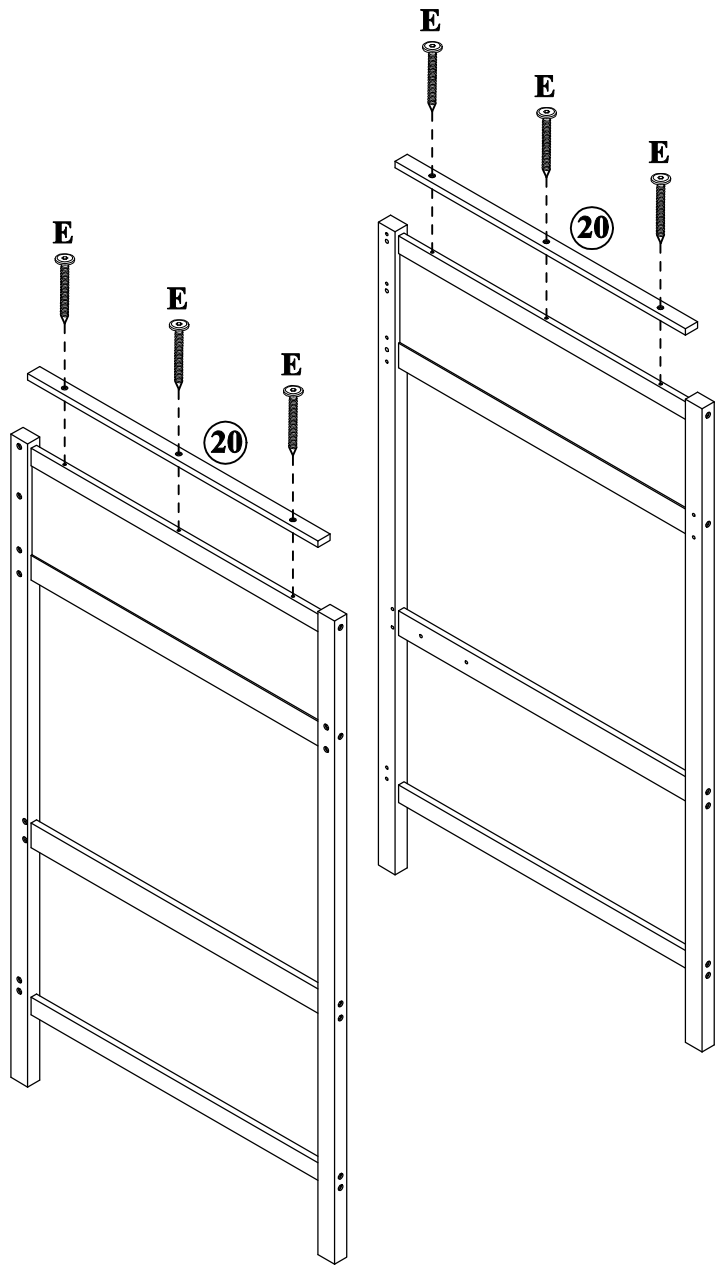
**STEP: 1**

<b>B</b>	<b>H</b>	<b>G</b>	<b>S</b>
			
<b>16PCS</b>	<b>16PCS</b>	<b>8PCS</b>	<b>16PCS</b>

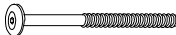


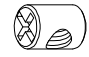



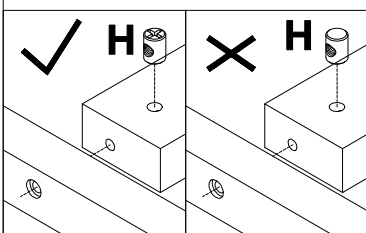
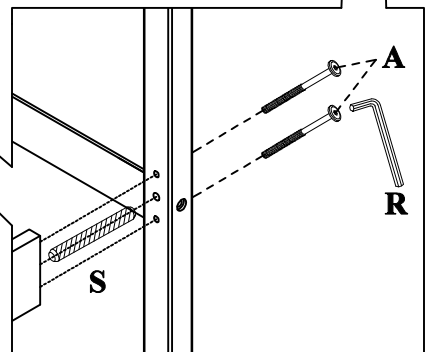
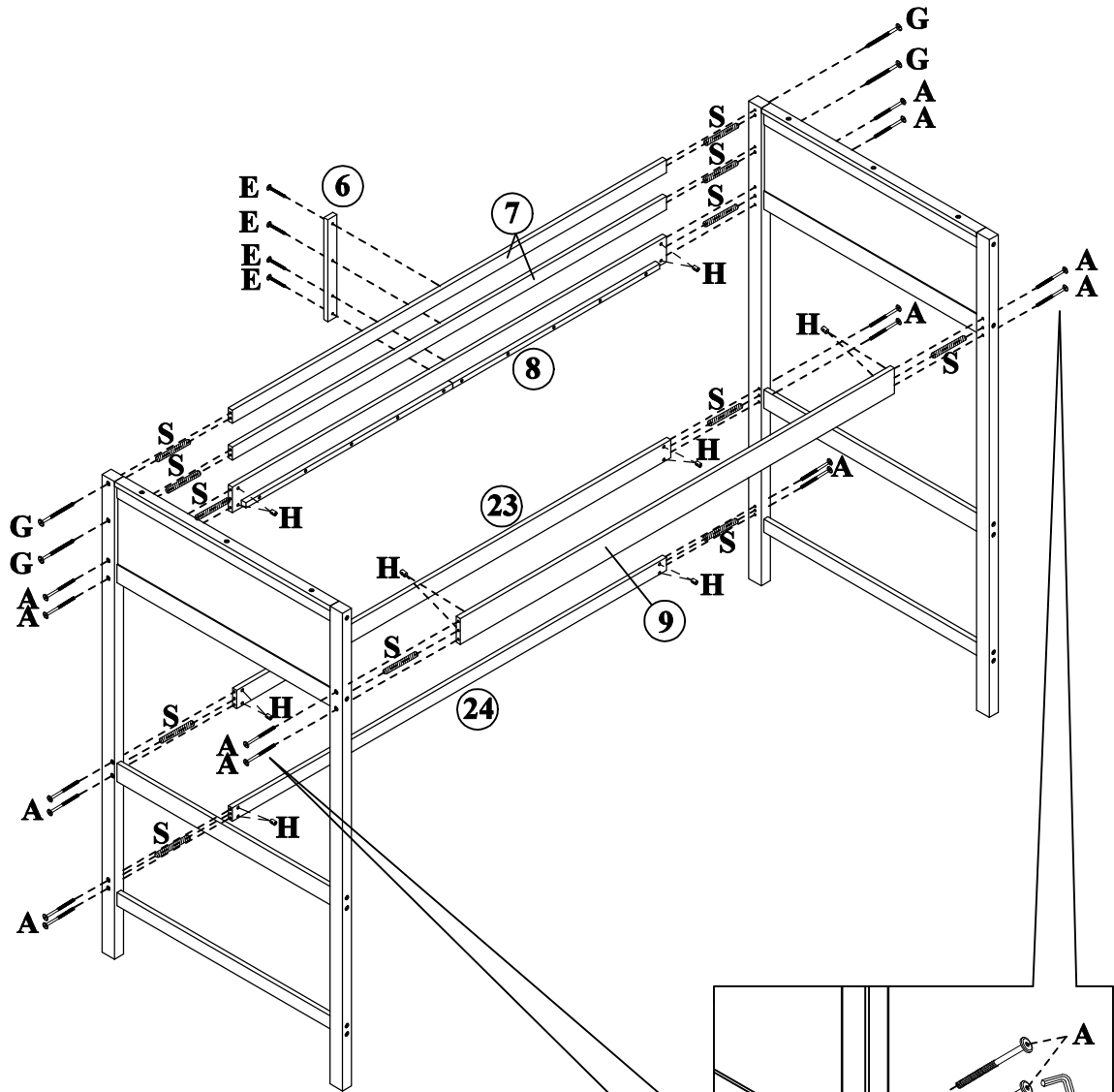
**STEP: 2**

<b>E</b>

<b>6PCS</b>


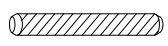


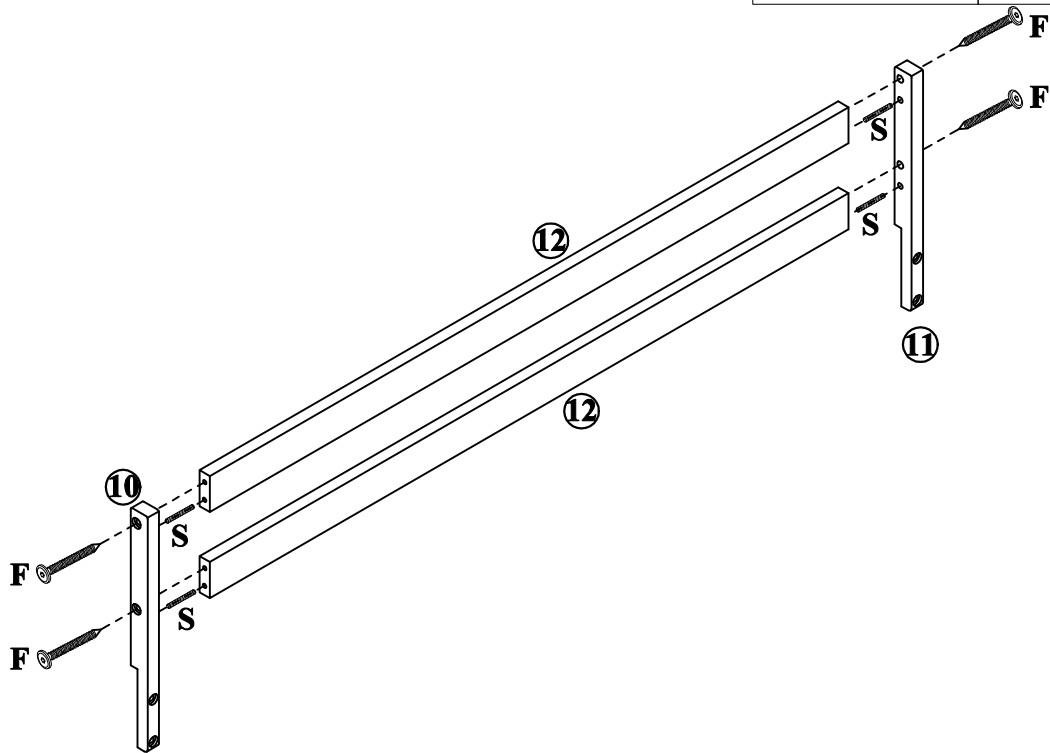
**STEP: 3**

<b>A</b>	<b>E</b>	<b>G</b>	<b>H</b>	<b>S</b>
				
<b>16PCS</b>	<b>4PCS</b>	<b>4PCS</b>	<b>16PCS</b>	<b>12PCS</b>




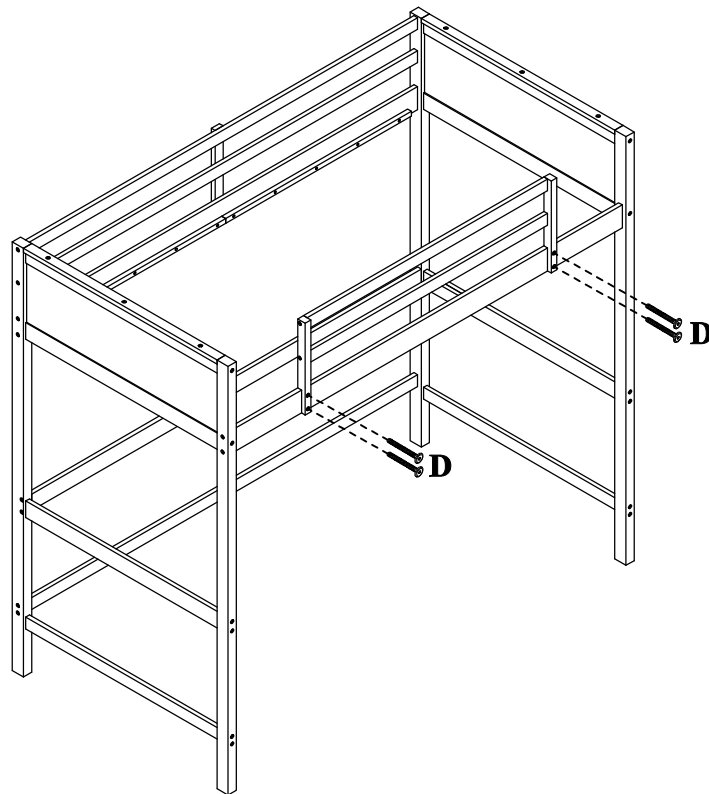
**STEP: 4**

<b>F</b>	<b>S</b>
	
<b>4PCS</b>	<b>4 PCS</b>



**STEP: 5**

<b>D</b>

<b>4PCS</b>

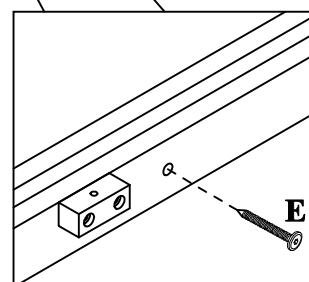
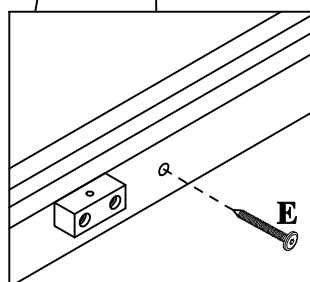
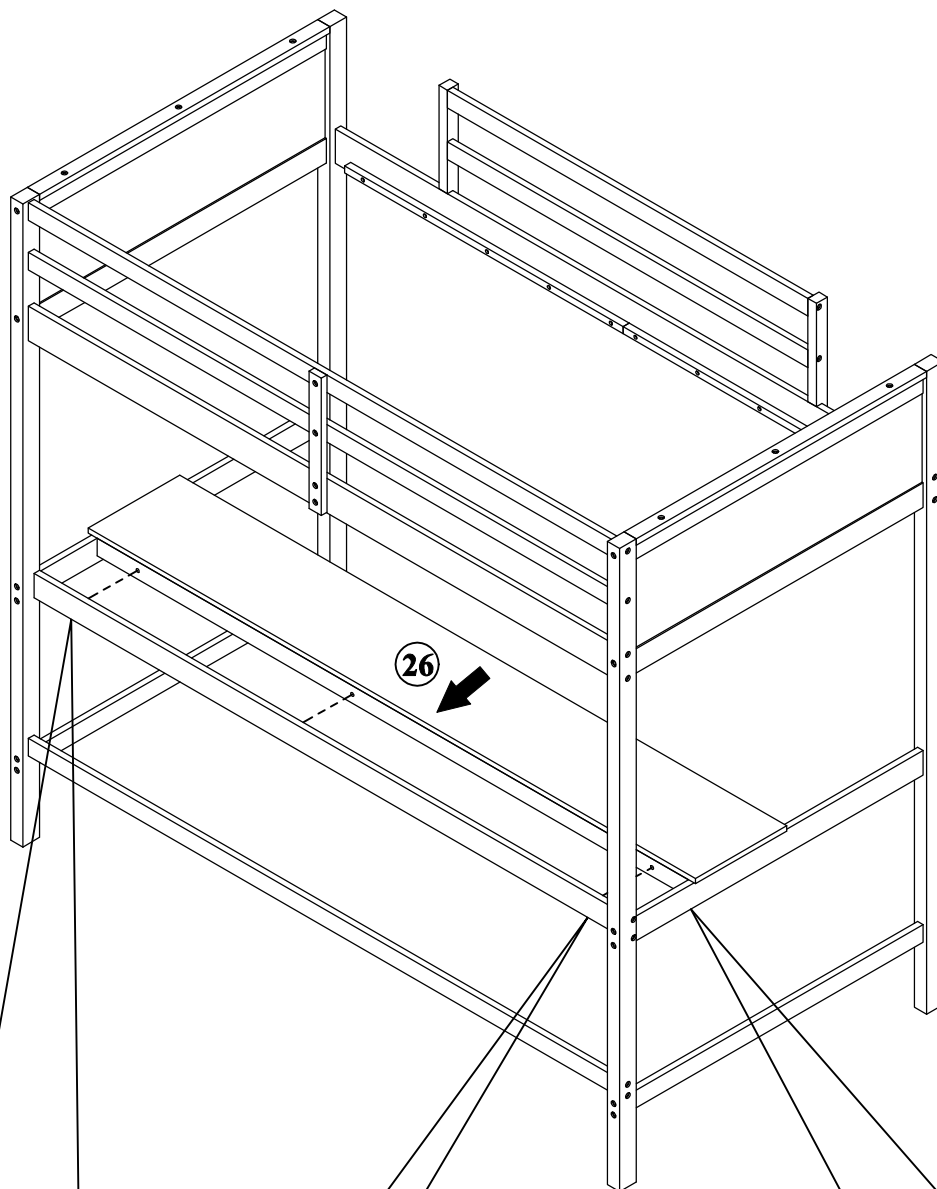


**STEP: 6**

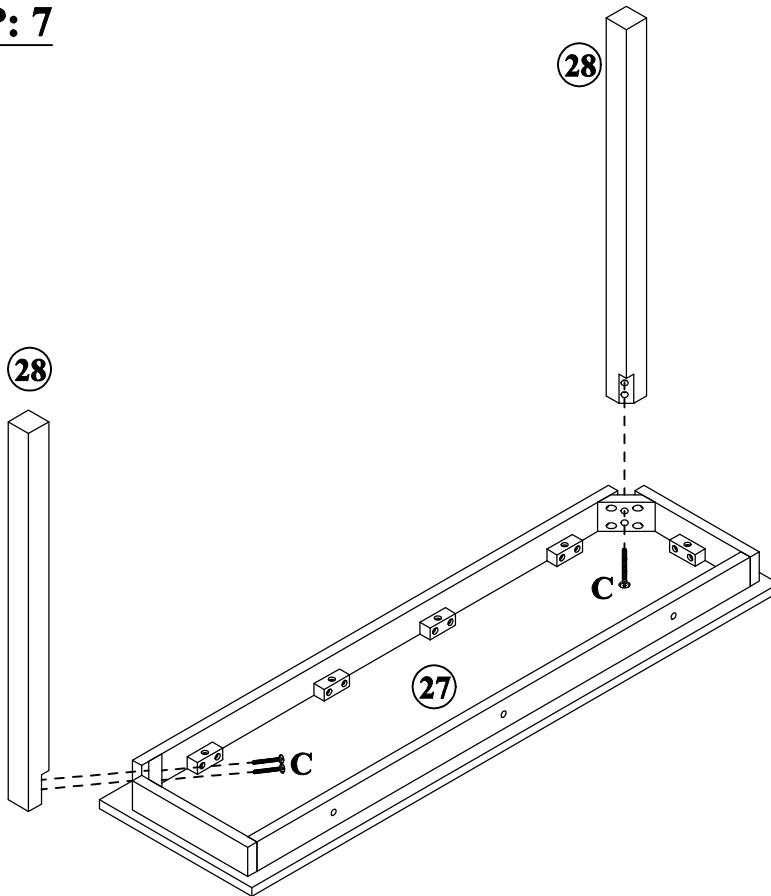
**E**




**7PCS**

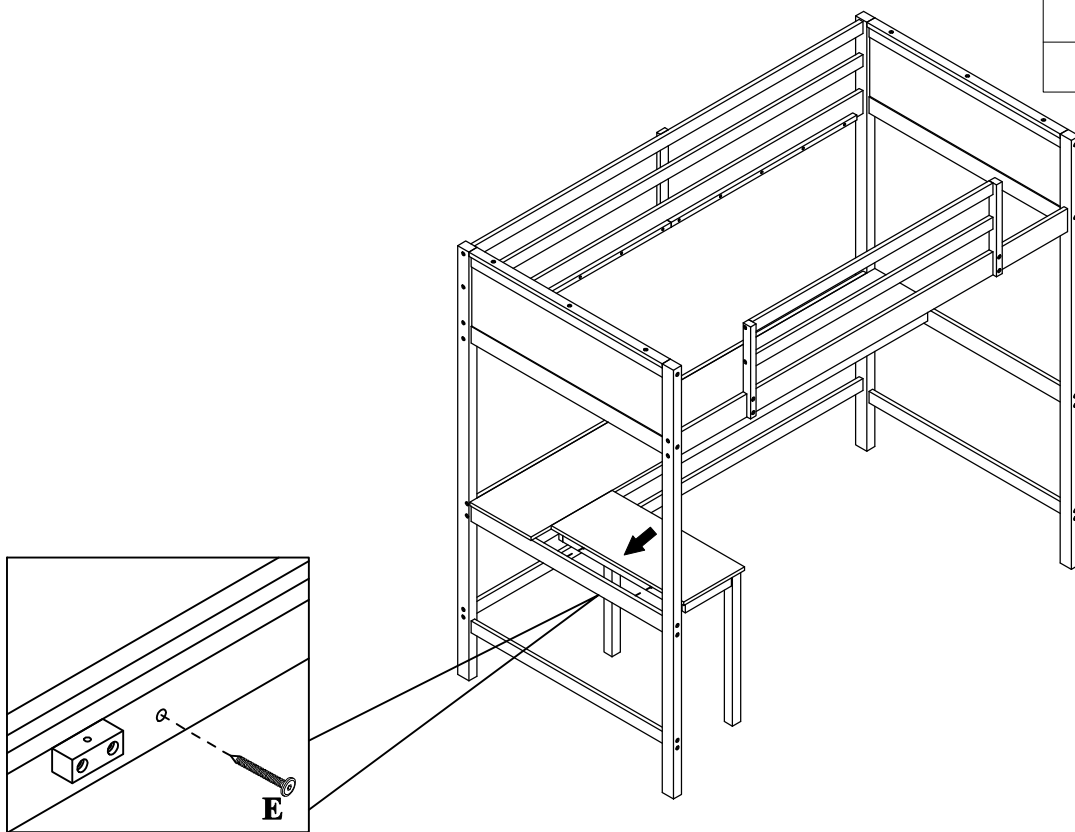



**STEP: 7**



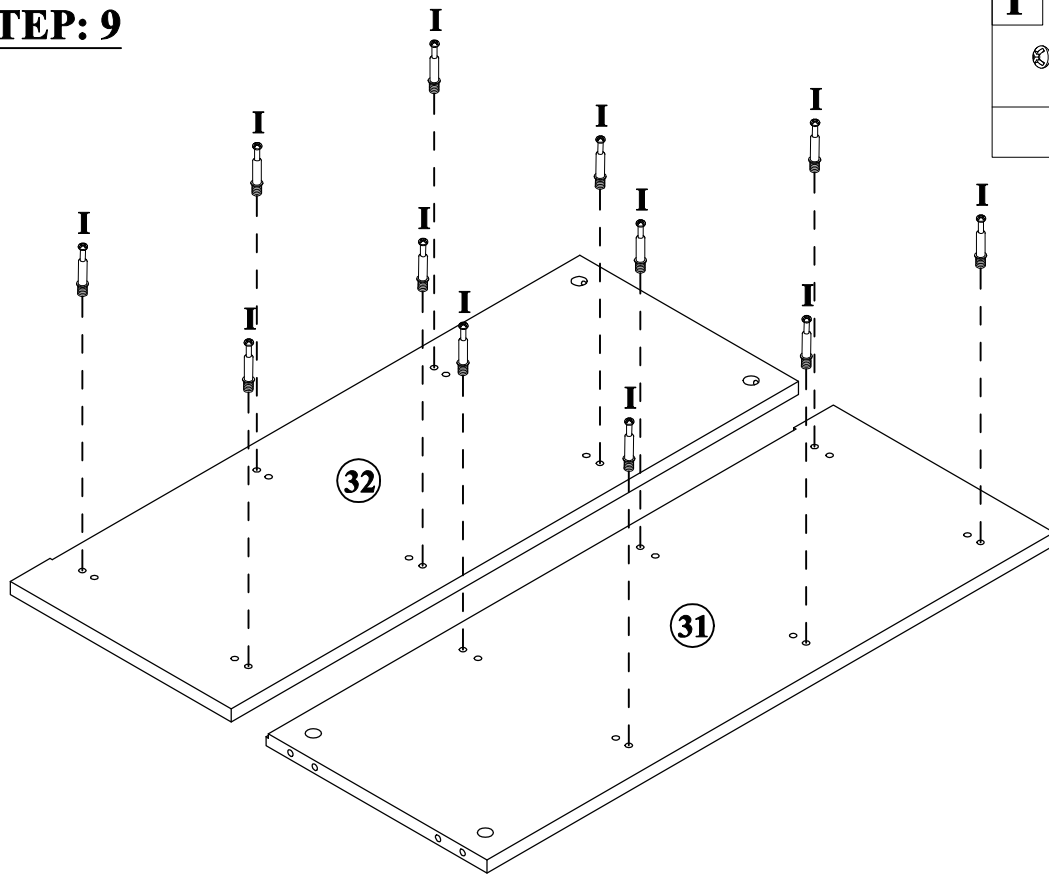
<b>C</b>

<b>4PCS</b>

**STEP: 8**

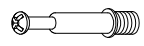


<b>E</b>

<b>2PCS</b>

**STEP: 9**

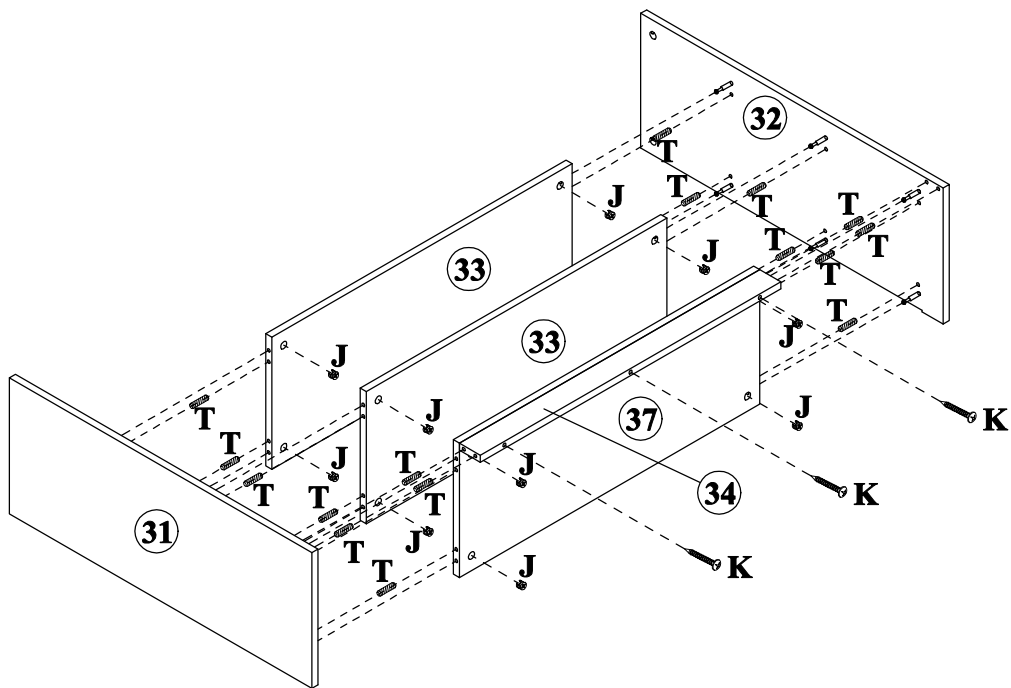


**I**



**12PCS**

**STEP: 10**



**K**



**3PCS**

**J**



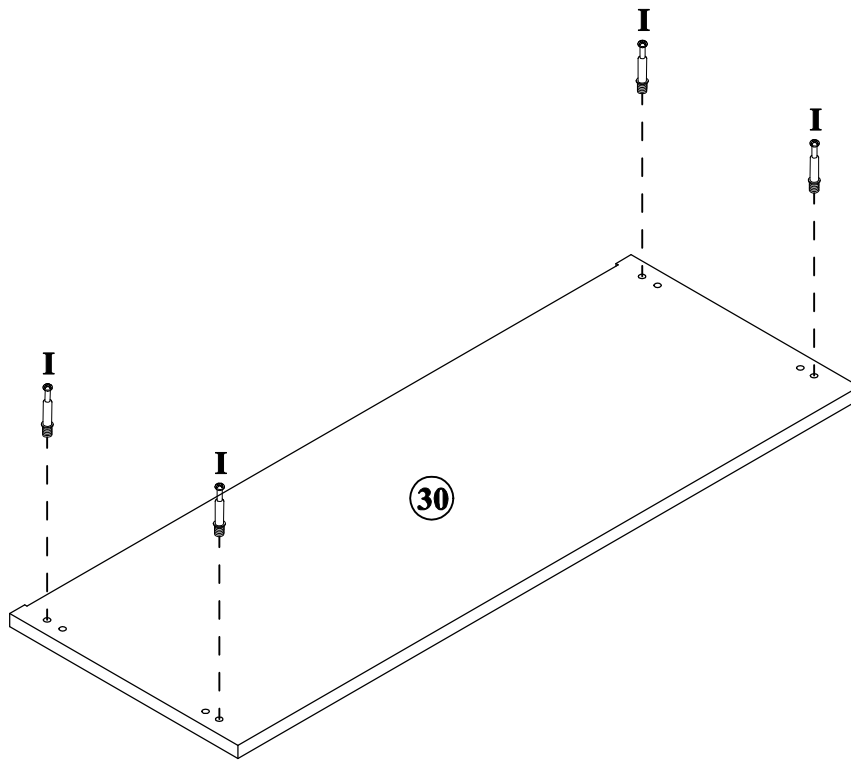
**12PCS**

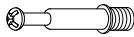
**T**



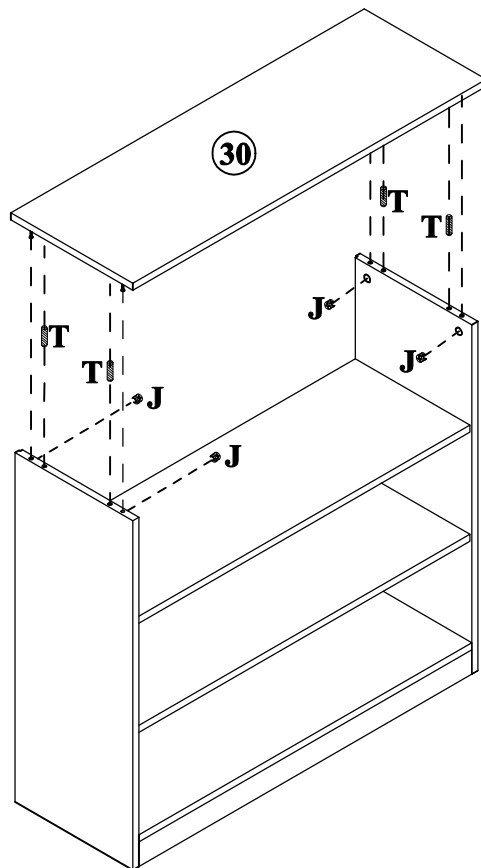
**16PCS**



**STEP: 11**



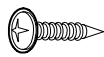
<b>I</b>

<b>4PCS</b>

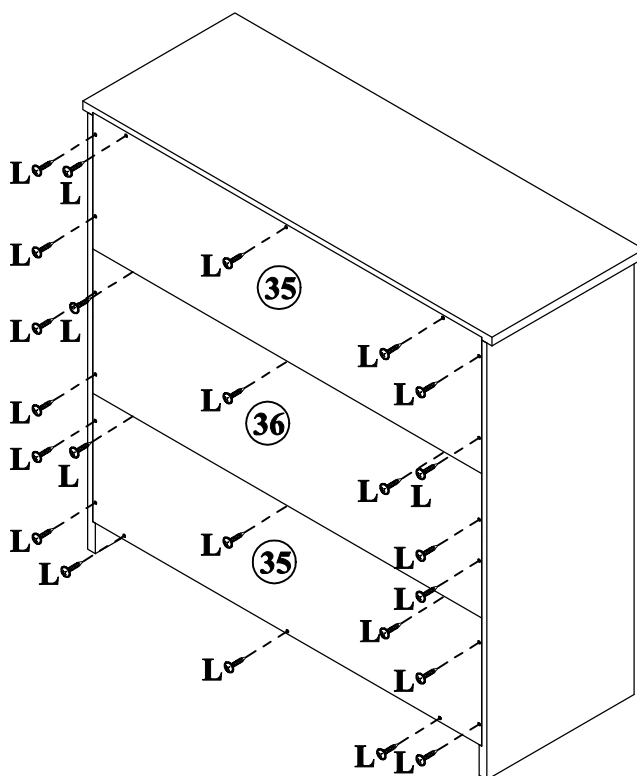
**STEP: 12**



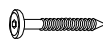
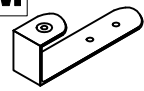

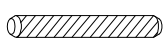
<b>J</b>		<b>T</b>	
<b>4PCS</b>		<b>4PCS</b>	

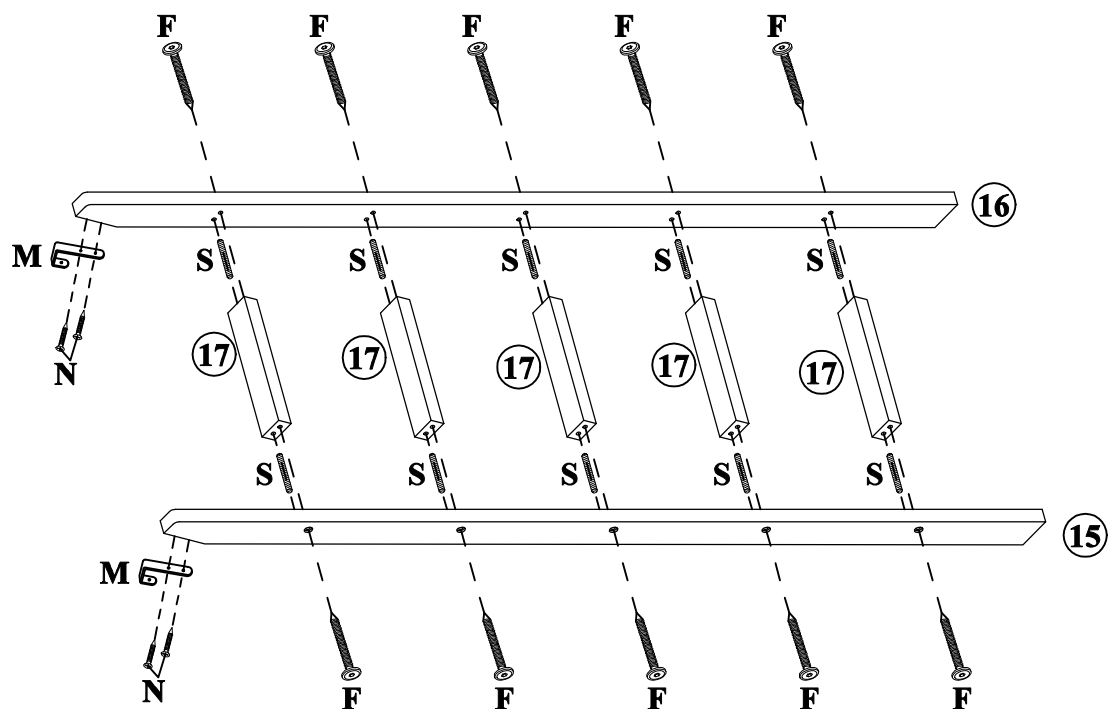
### STEP:13

<b>L</b>

<b>24PCS</b>





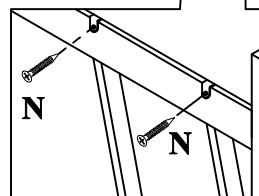
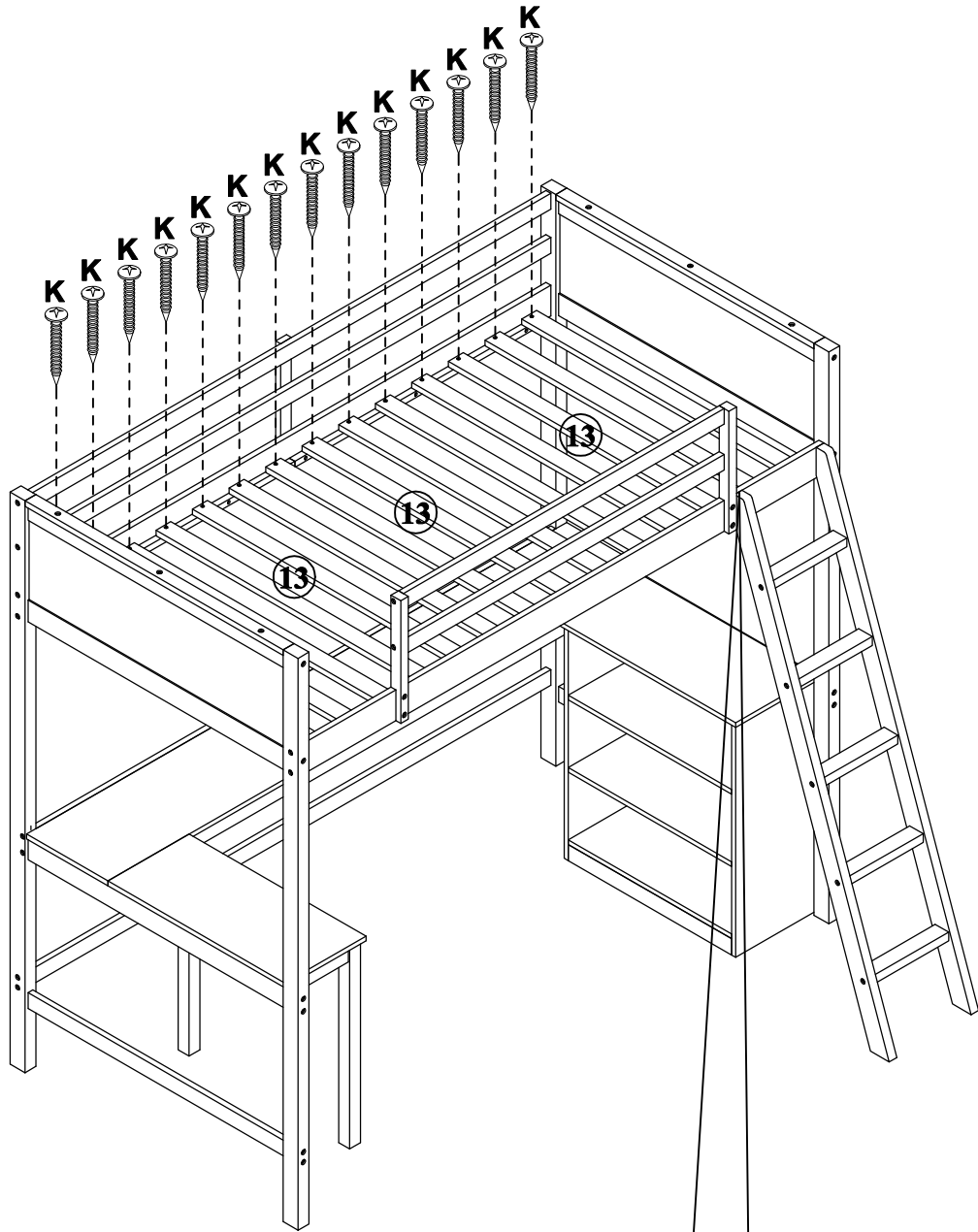
### STEP:14

<b>F</b>	<b>M</b>	<b>N</b>	<b>S</b>
			
<b>10PCS</b>	<b>2PCS</b>	<b>4PCS</b>	<b>10PCS</b>



# STEP: 15

<b>K</b>	<b>N</b>
	
<b>28PCS</b>	<b>2PCS</b>



**STEP: 16**

