

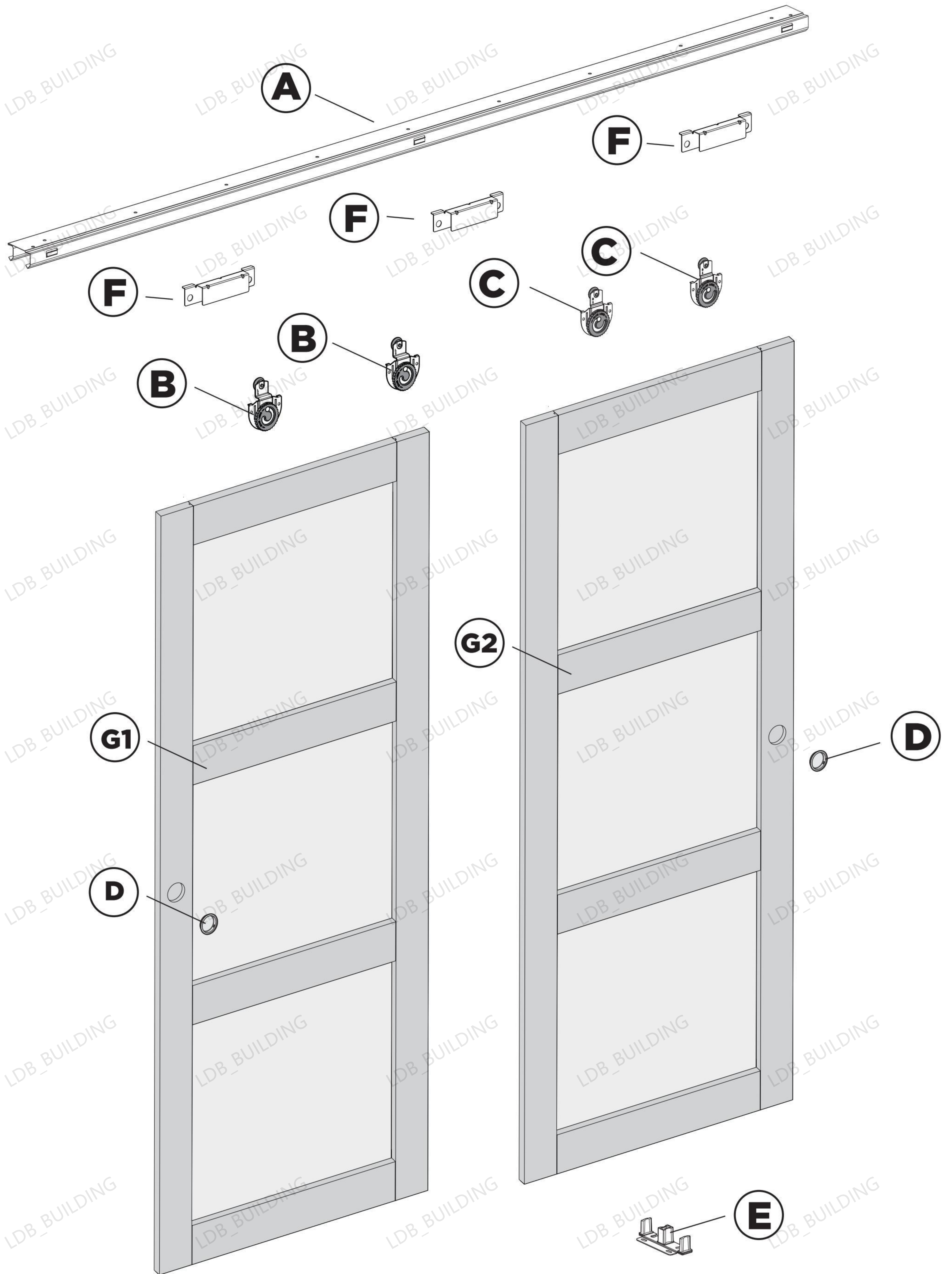
CLOSET DOOR INSTALLATION MANUAL



OPERATION CAUTIONS:

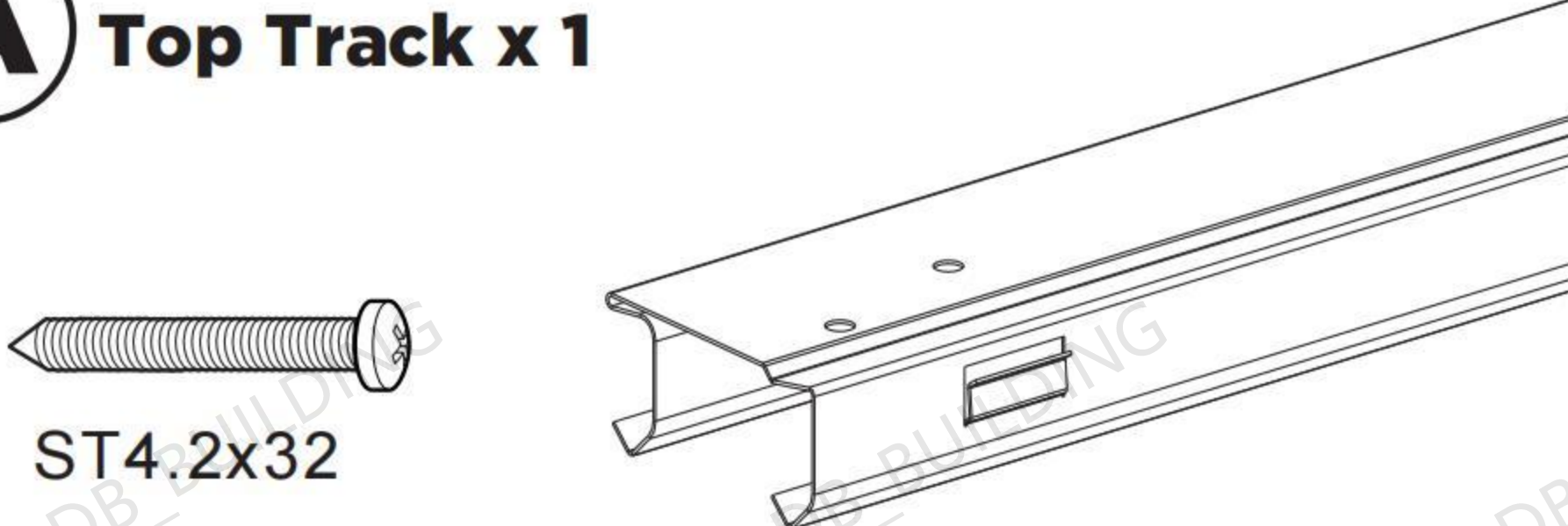
Please read this installation guide carefully before installation.
Please refer to the relevant content of this store for more product use.

Components list



Hardware

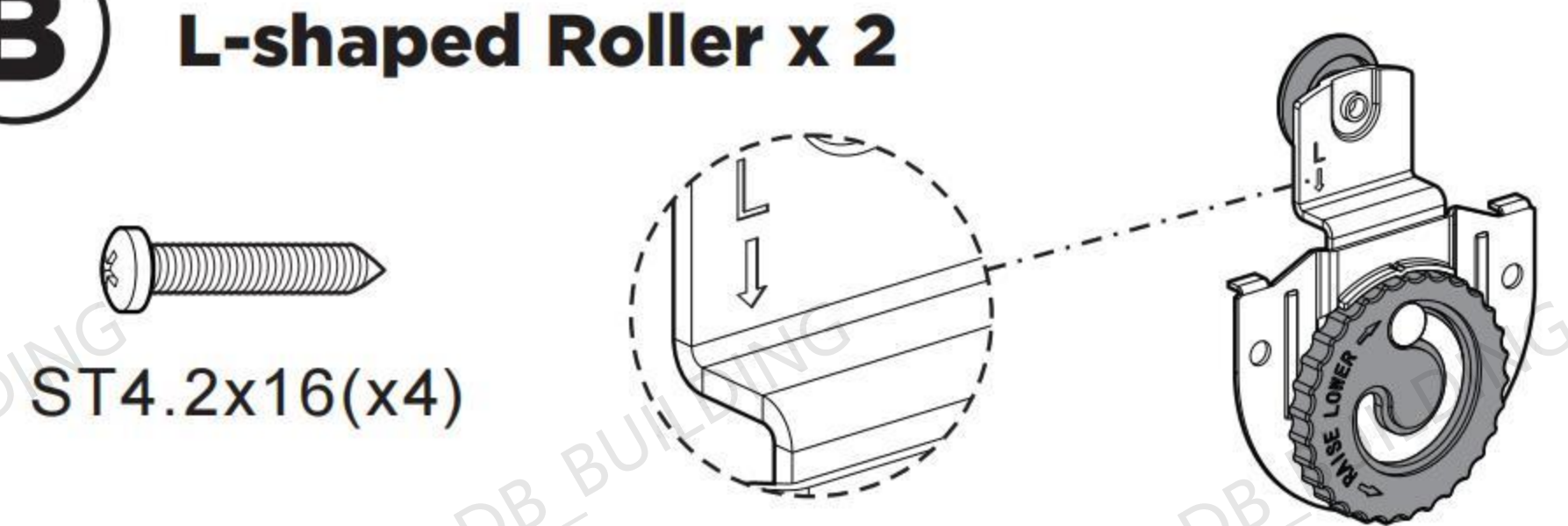
A Top Track x 1



ST4.2x32

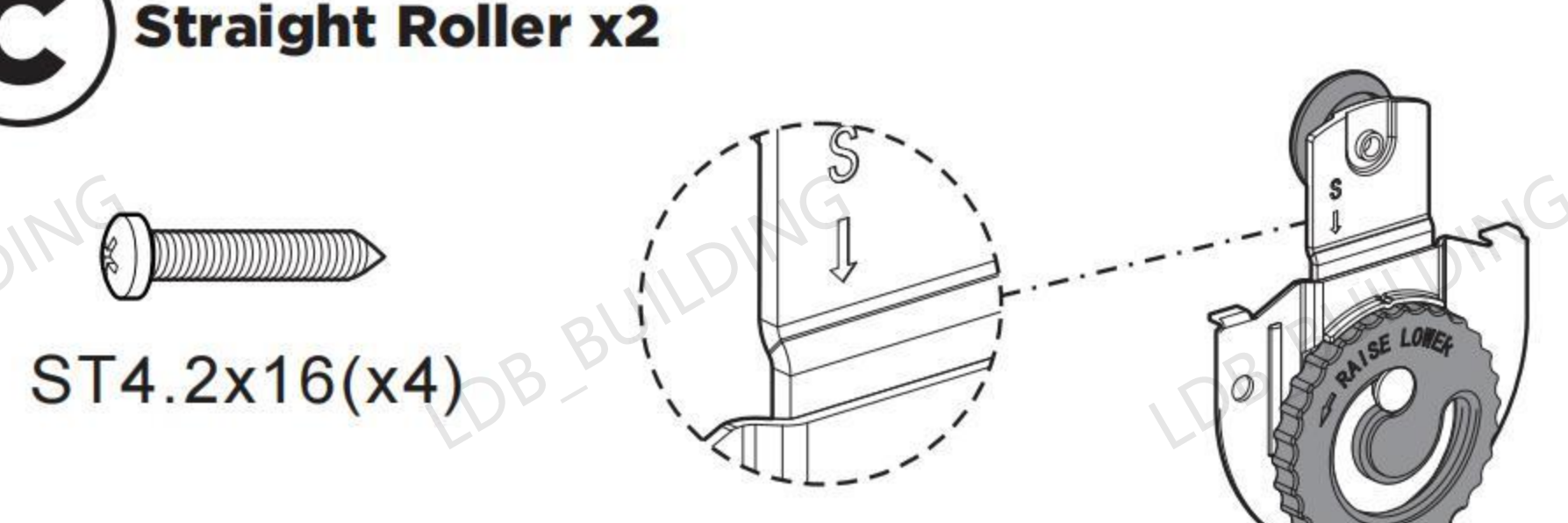
Track Length	Screw Quantity
48"	(x9)
56"	(x10)
60"	(x11)
64"	(x11)
72"	(x13)
96"	(x15)

B L-shaped Roller x 2



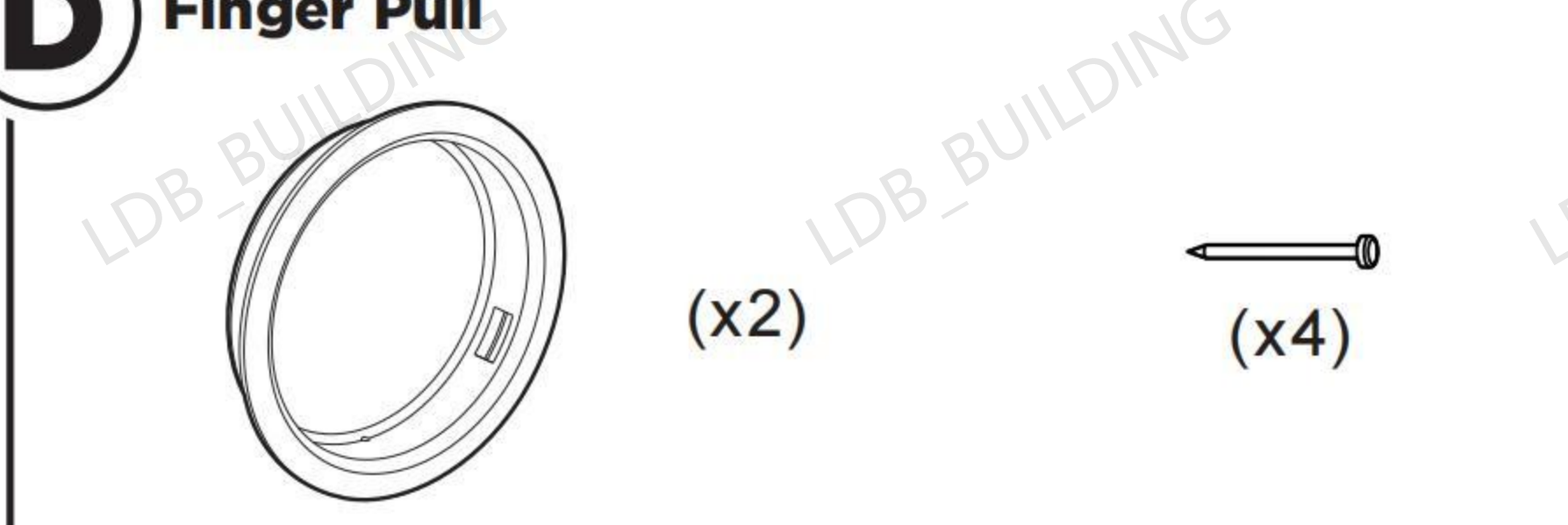
ST4.2x16(x4)

C Straight Roller x 2



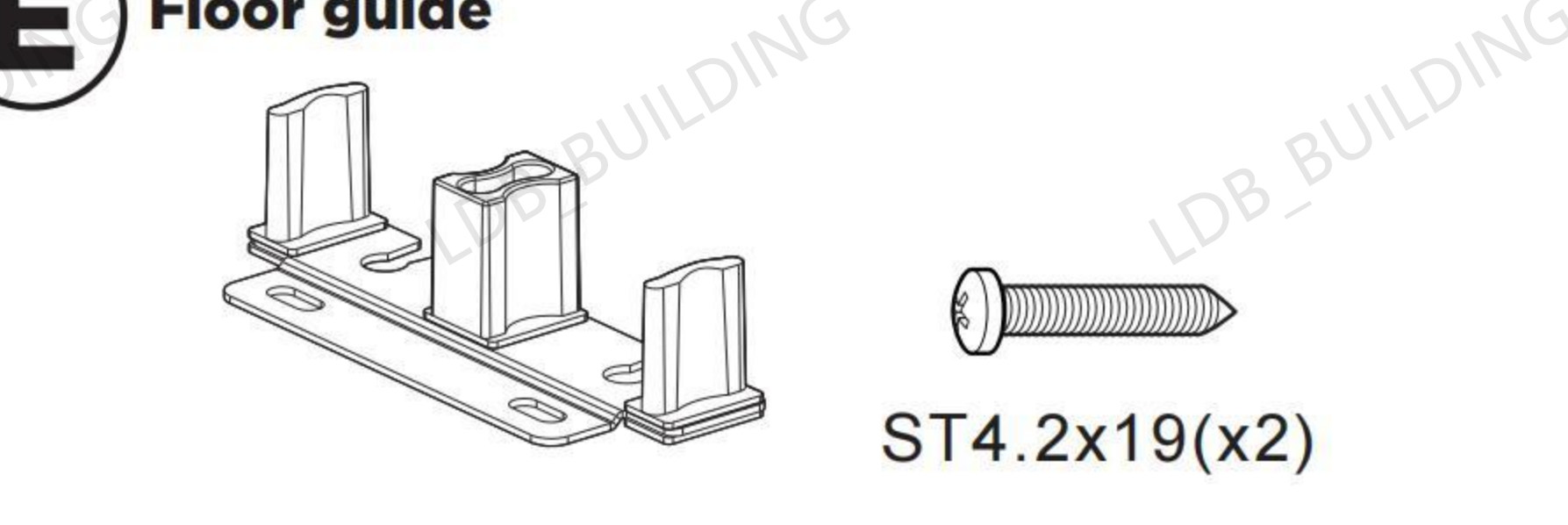
ST4.2x16(x4)

D Finger Pull



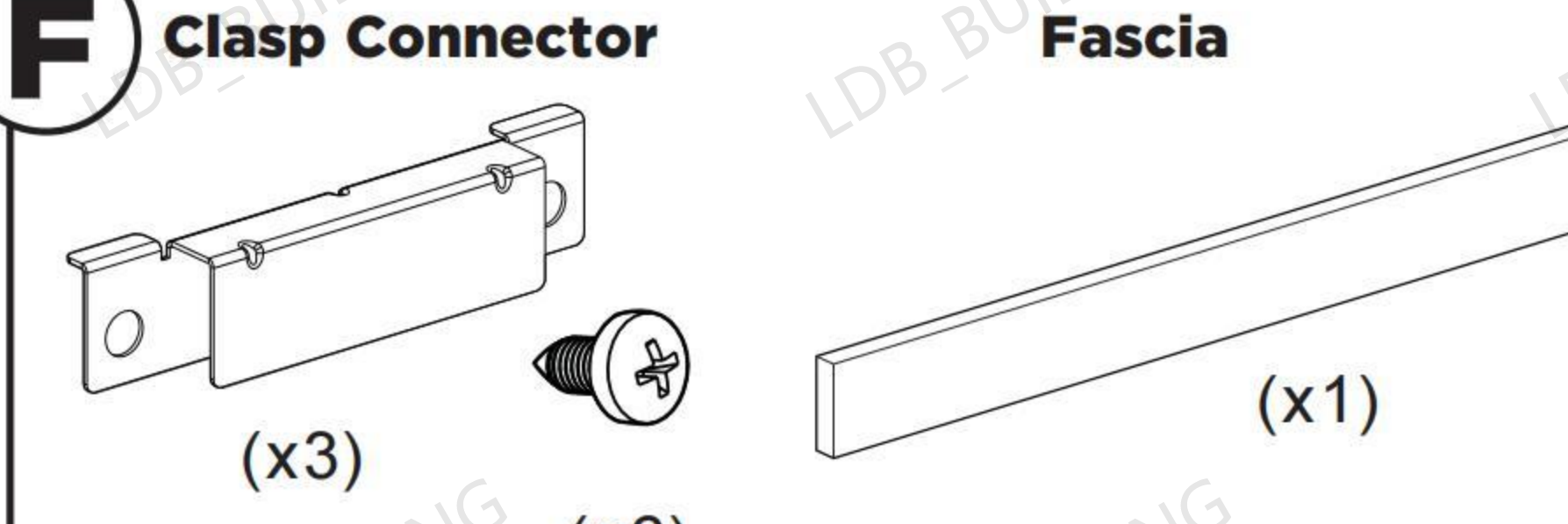
(x2) (x4)

E Floor guide



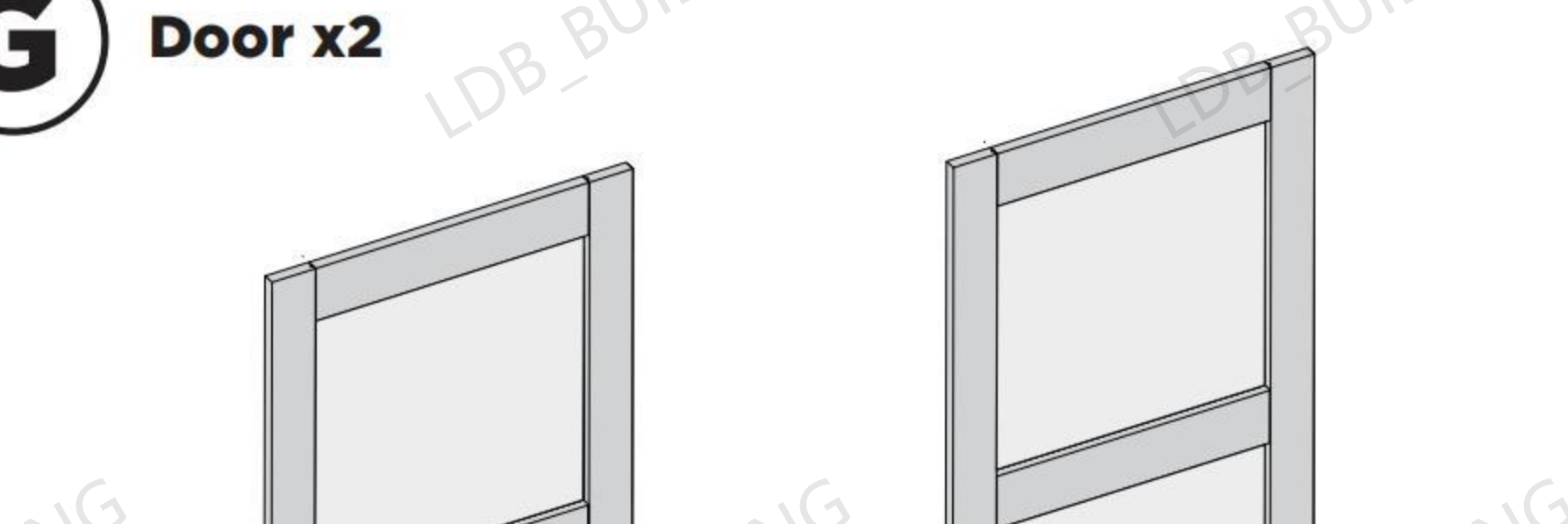
ST4.2x19(x2)

F Clasp Connector **Fascia**

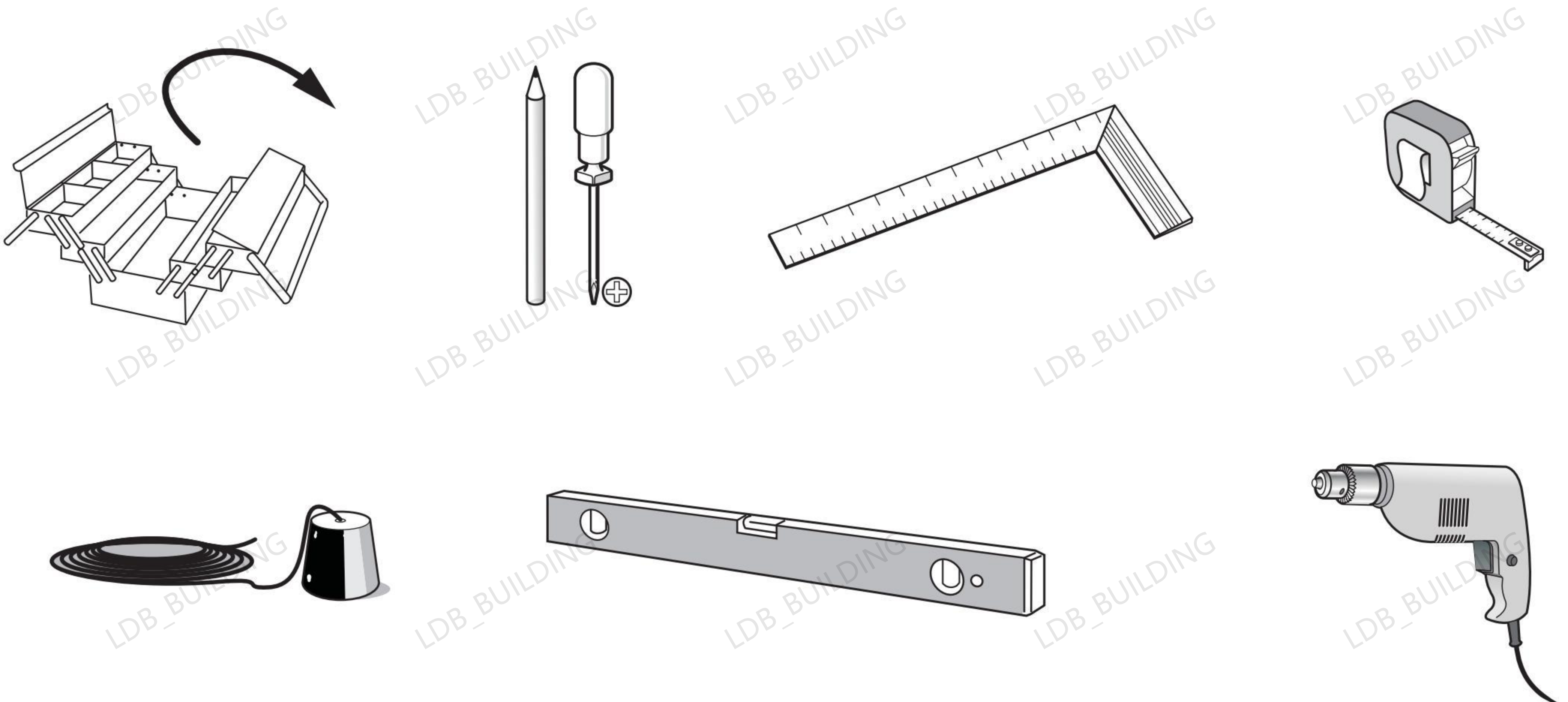


(x3) (x6) (x1)

G Door x2

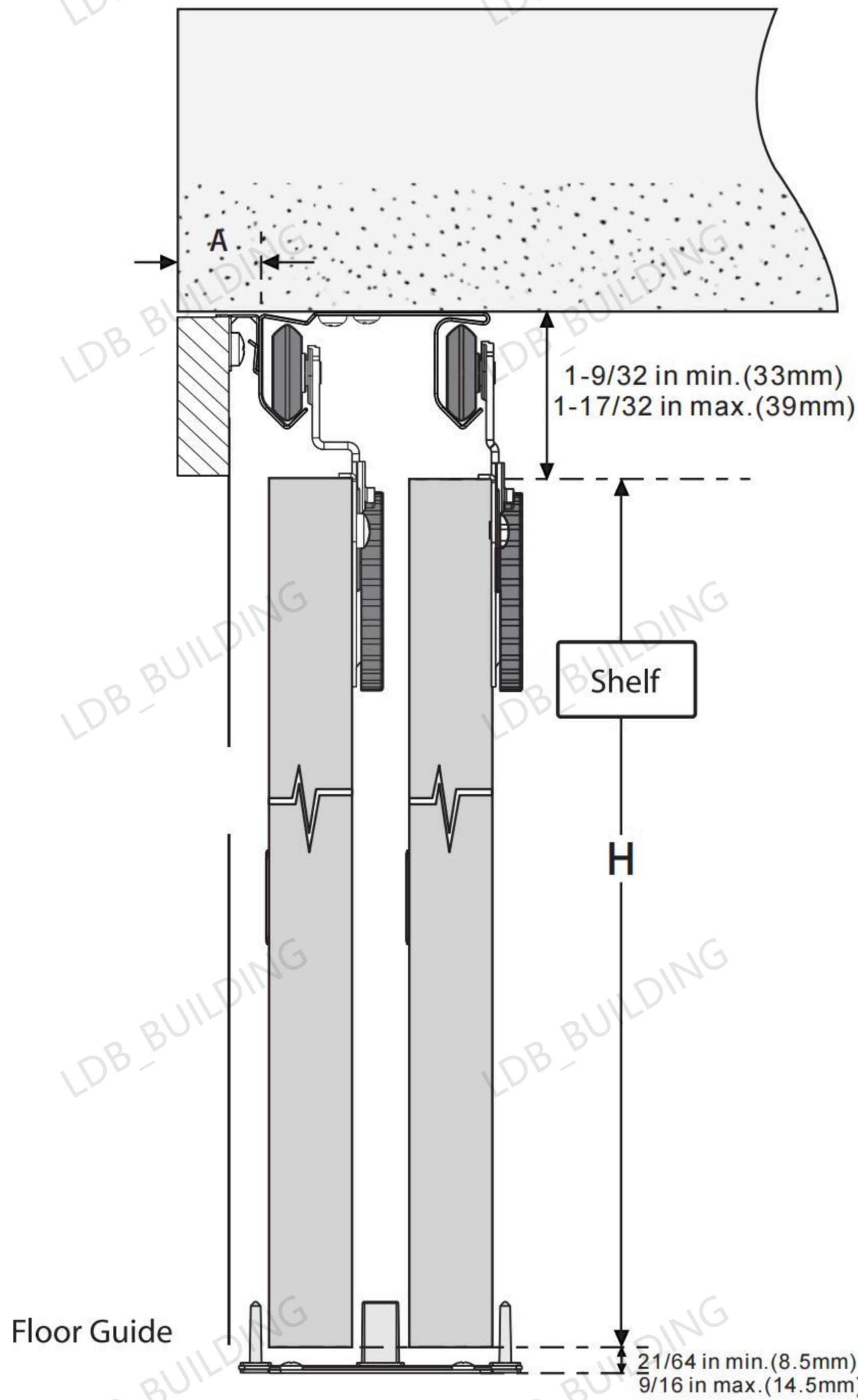


Tools required



Assembly Notes

Take aesthetics into account, ensure there is ample space for fascia installation. Therefore, install the track at a minimum distance of 5/8 inches away from the edge of the door opening

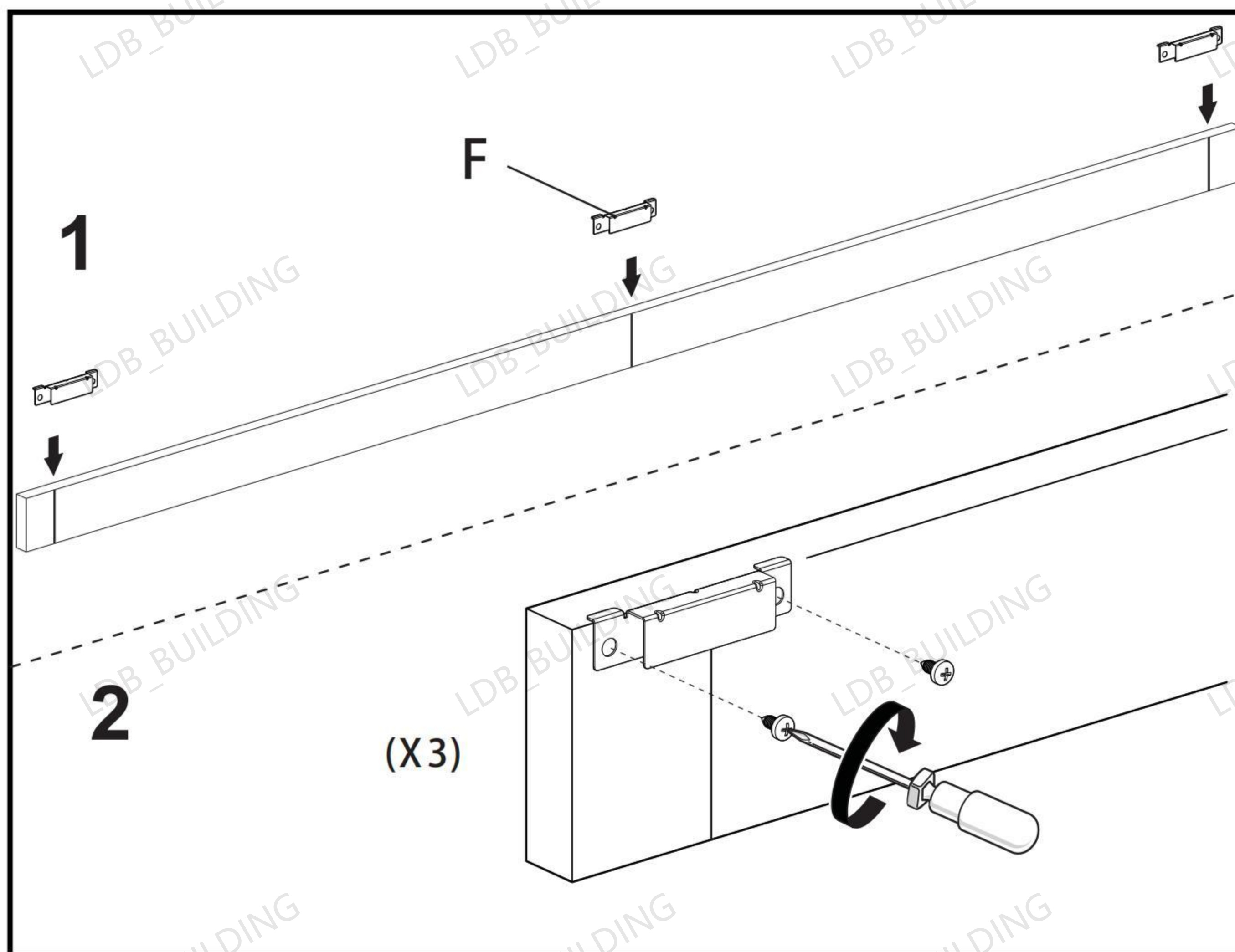
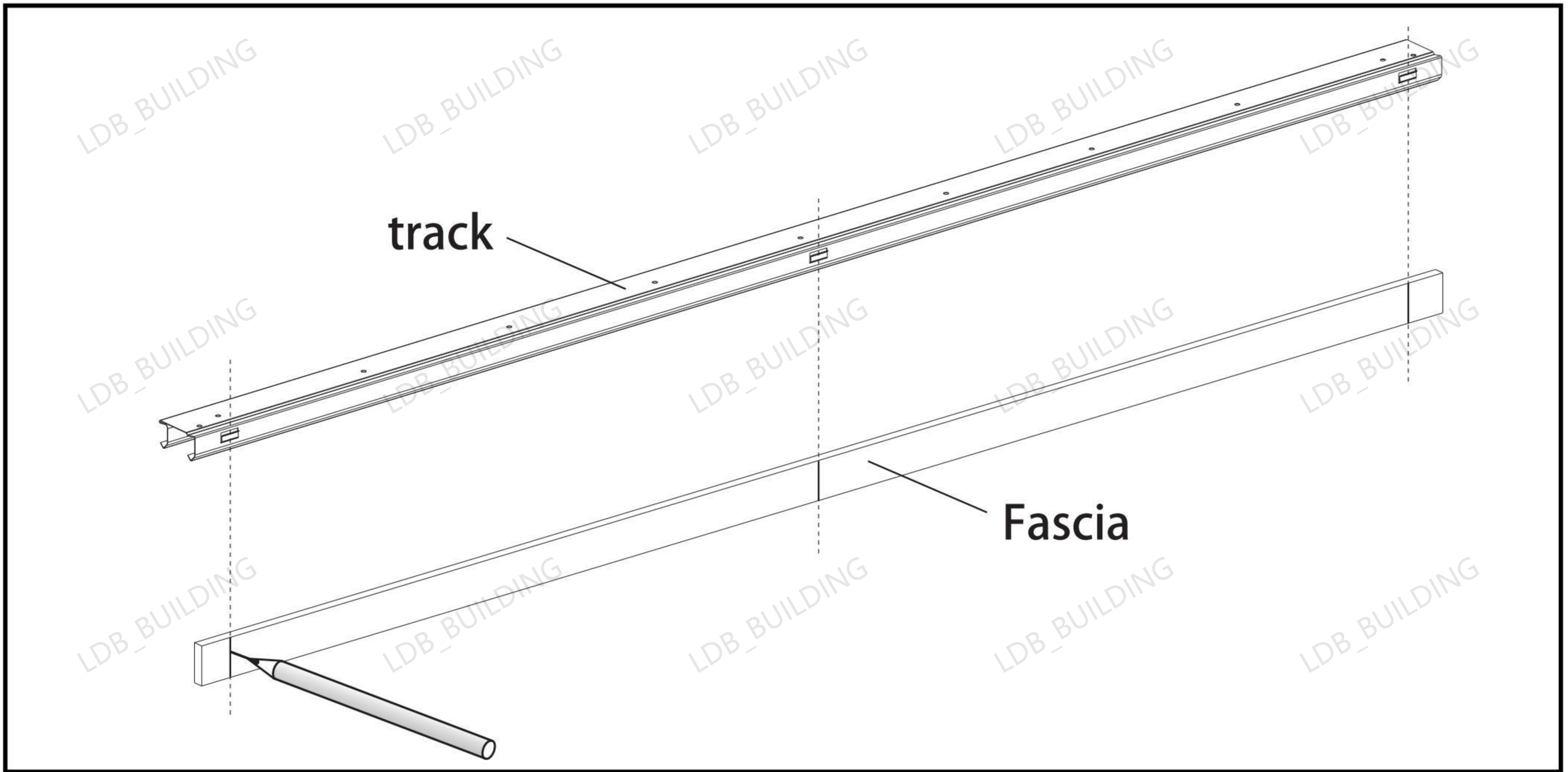


Door Thickness	7/8in 22mm
Dimension A	5/8in 16mm

Product Installation

Step 1 Install clasp connector to the fascia

Seat the fascia on the track, and mark the clasp's position on the fascia with a pencil

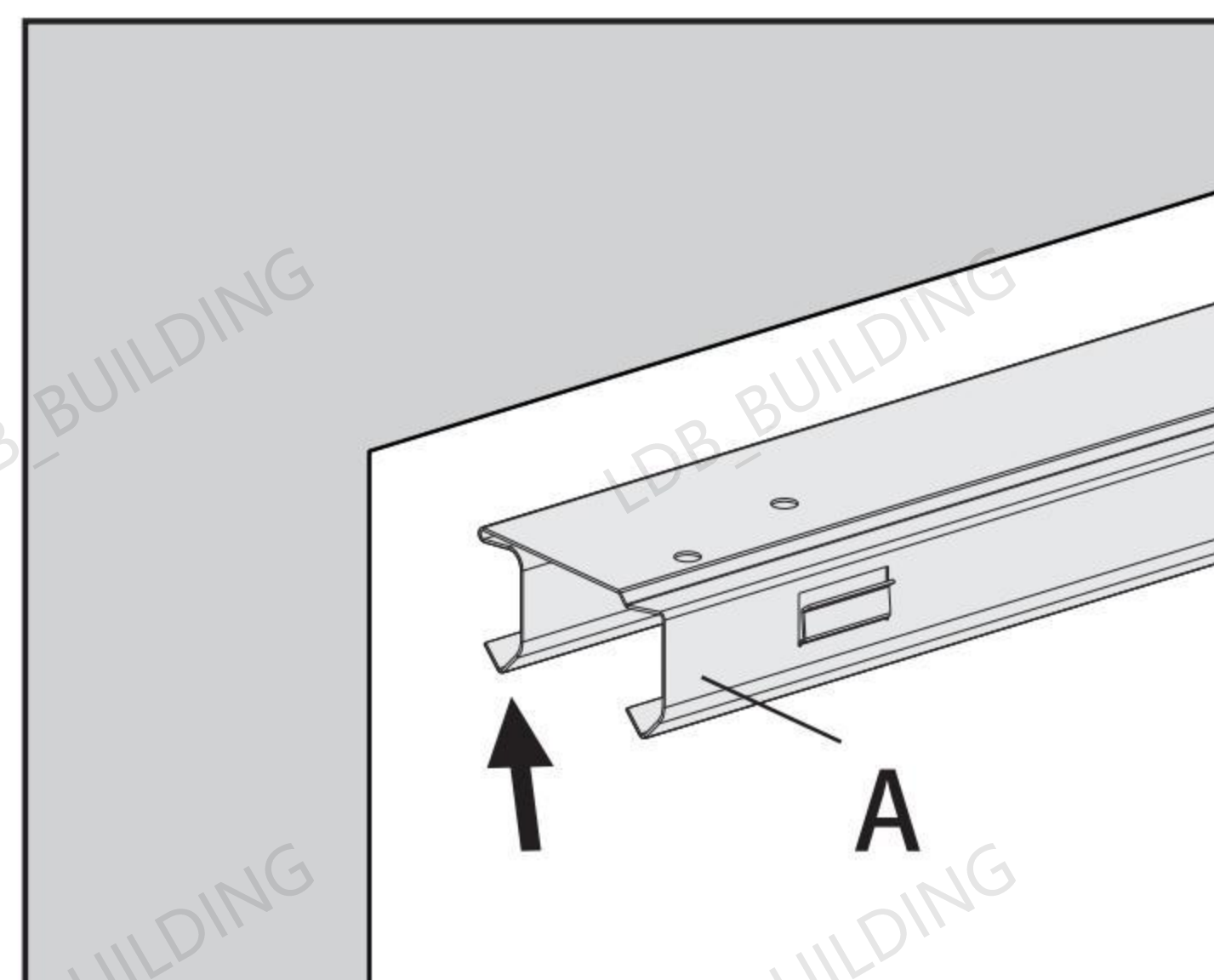
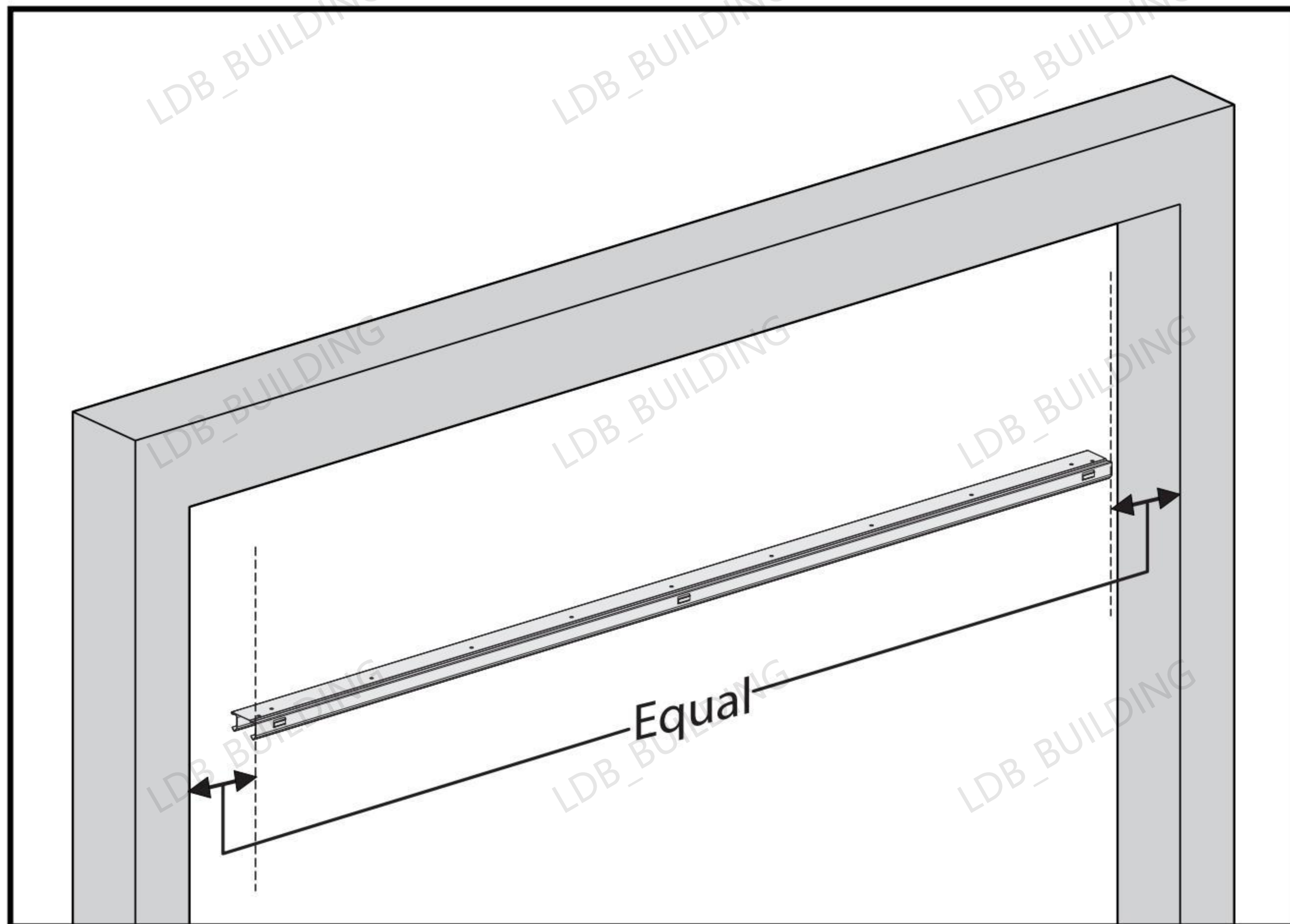


Screw clasp connectors to the fascia in the marks

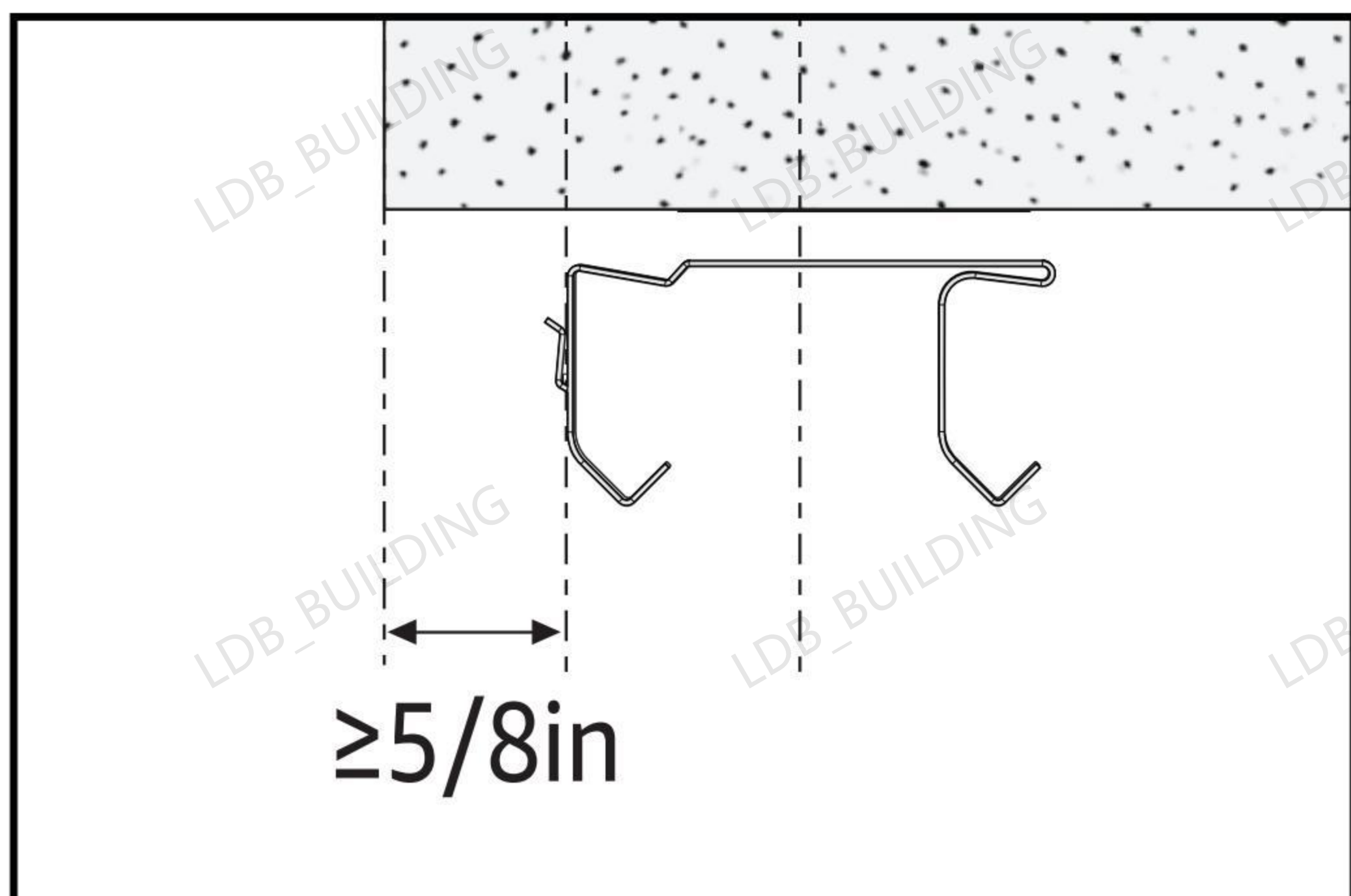
Product Installation

Step-2 Install the top track

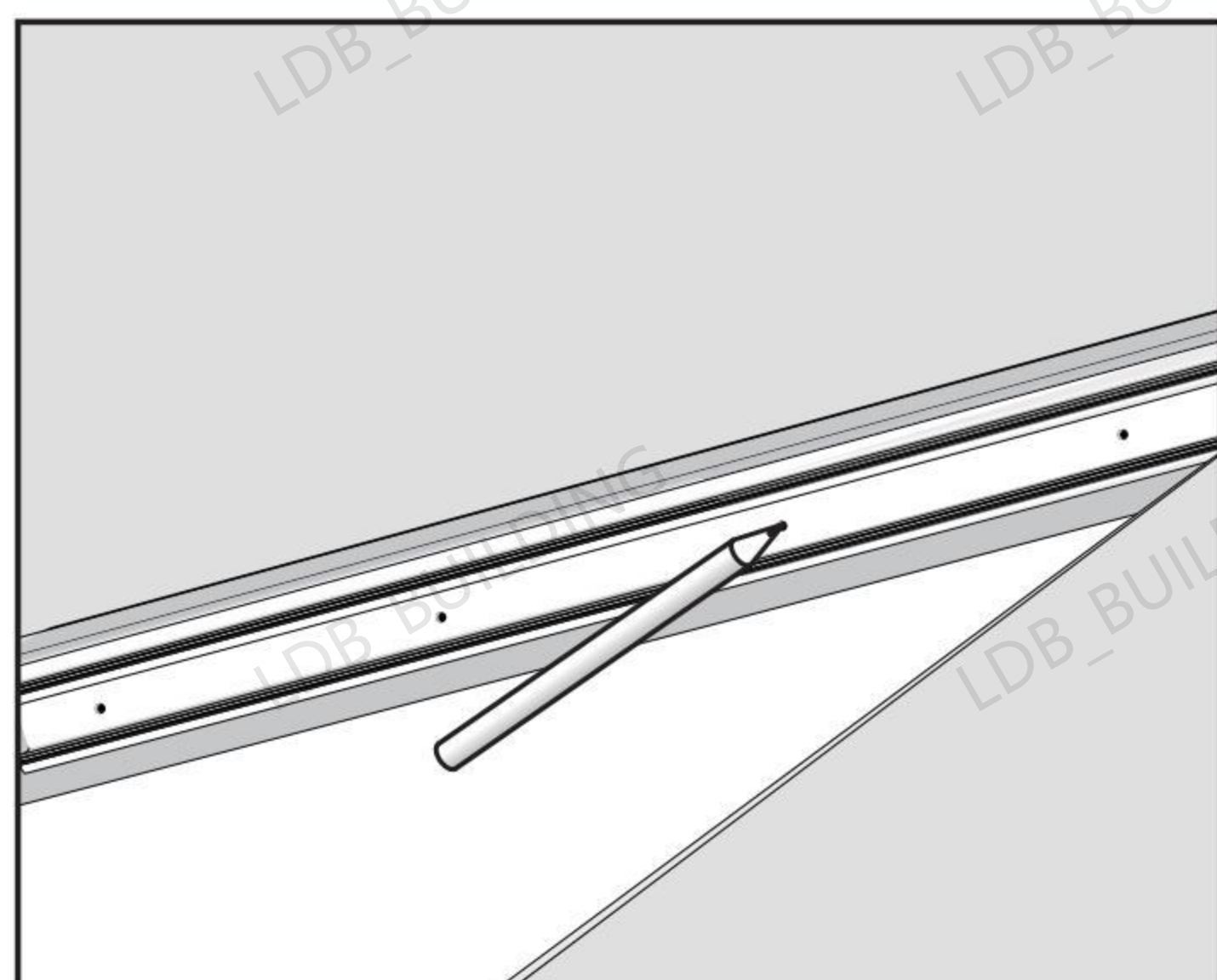
Both the track and the fascia are trimmable. If the opening is not wide enough, you can cut the track and the fascia to a workable length. But it's recommended to purchase the correct size for your opening directly.



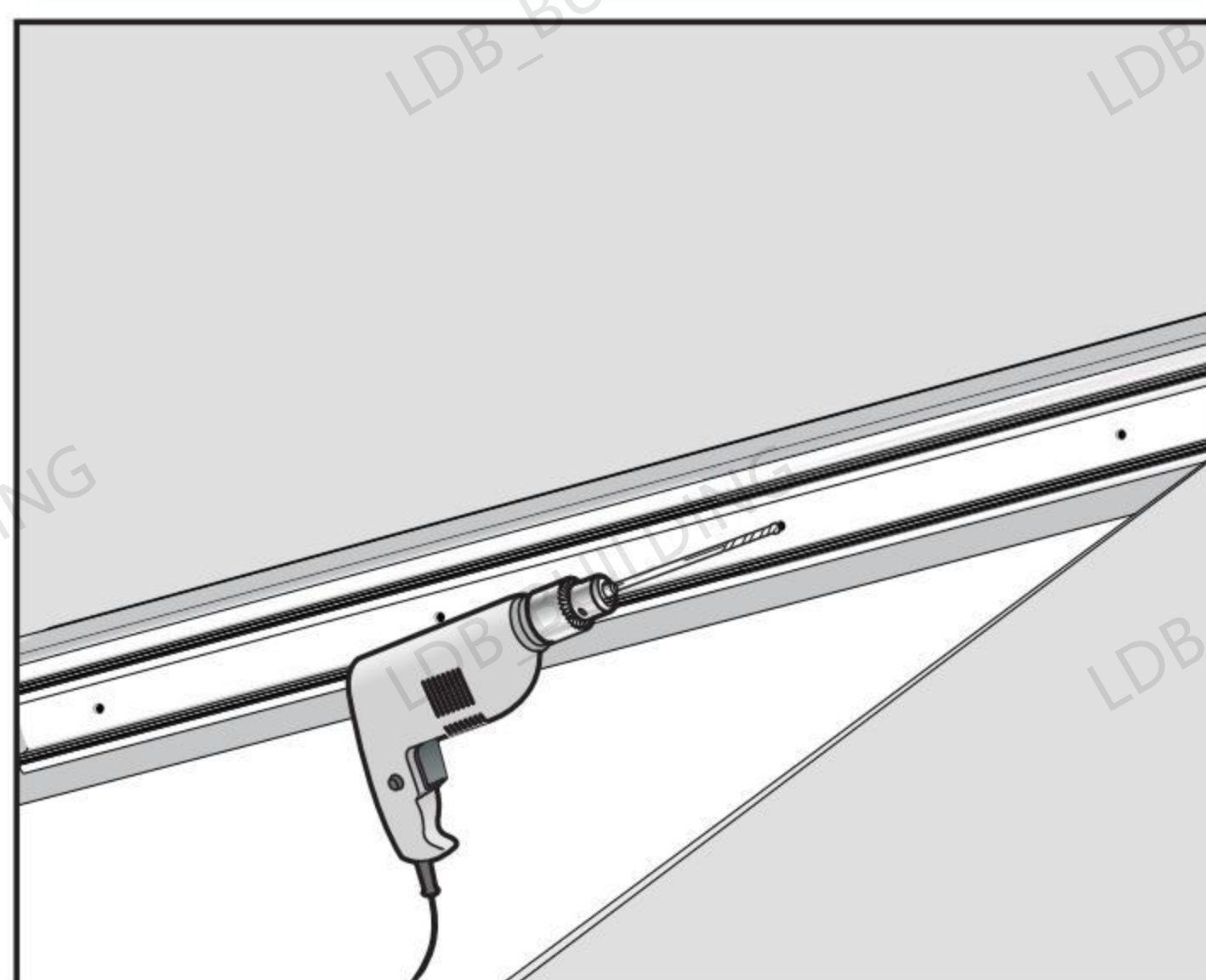
The side with roller hook goes inside the closet



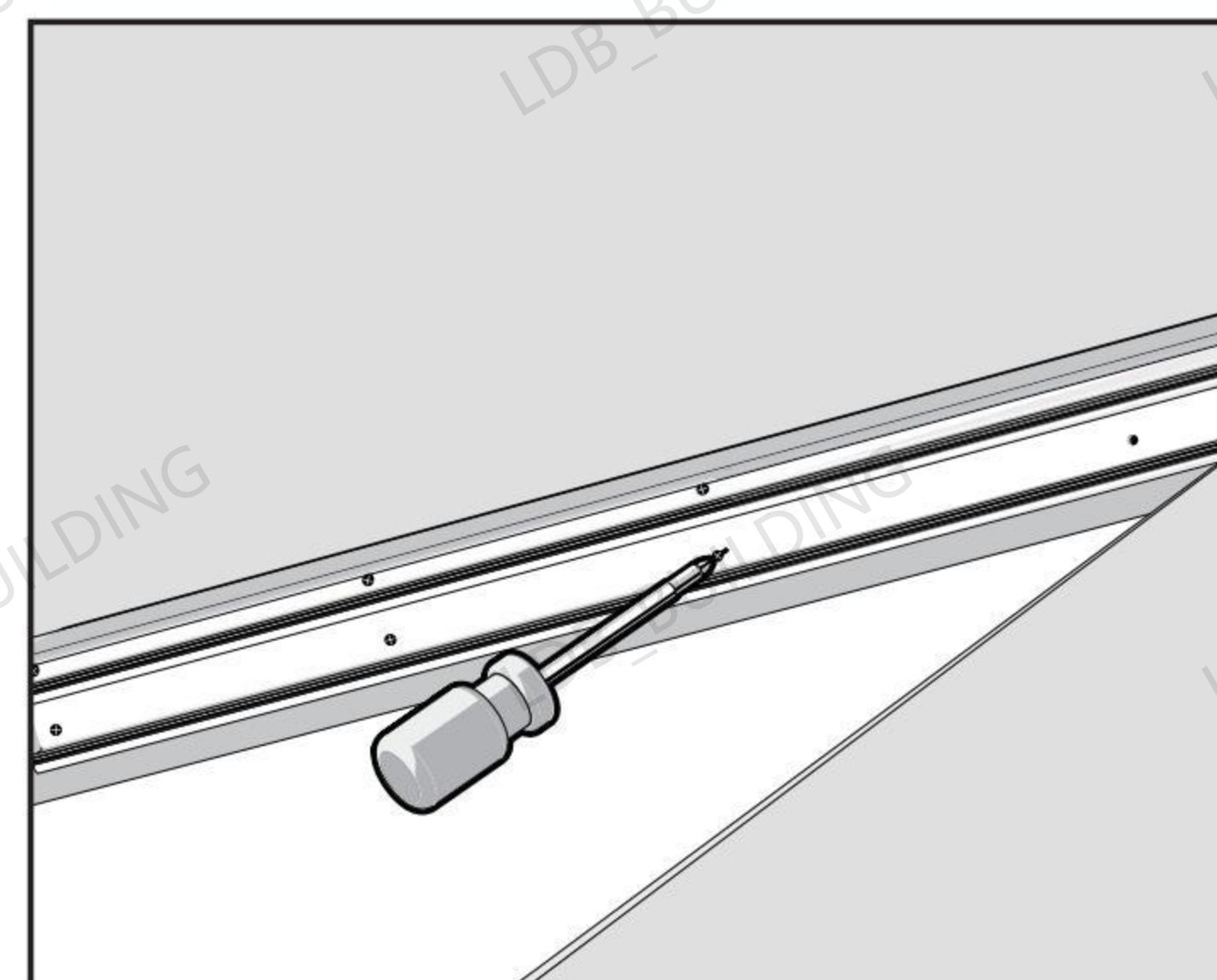
Center the track on the head jamb if the opening is deep enough; otherwise, ensure a 5/8-inch gap from the jamb edge to the outer side of the track and mark holes with pencil.



① Mark each hole with pencil



② Drill marks with drill bits



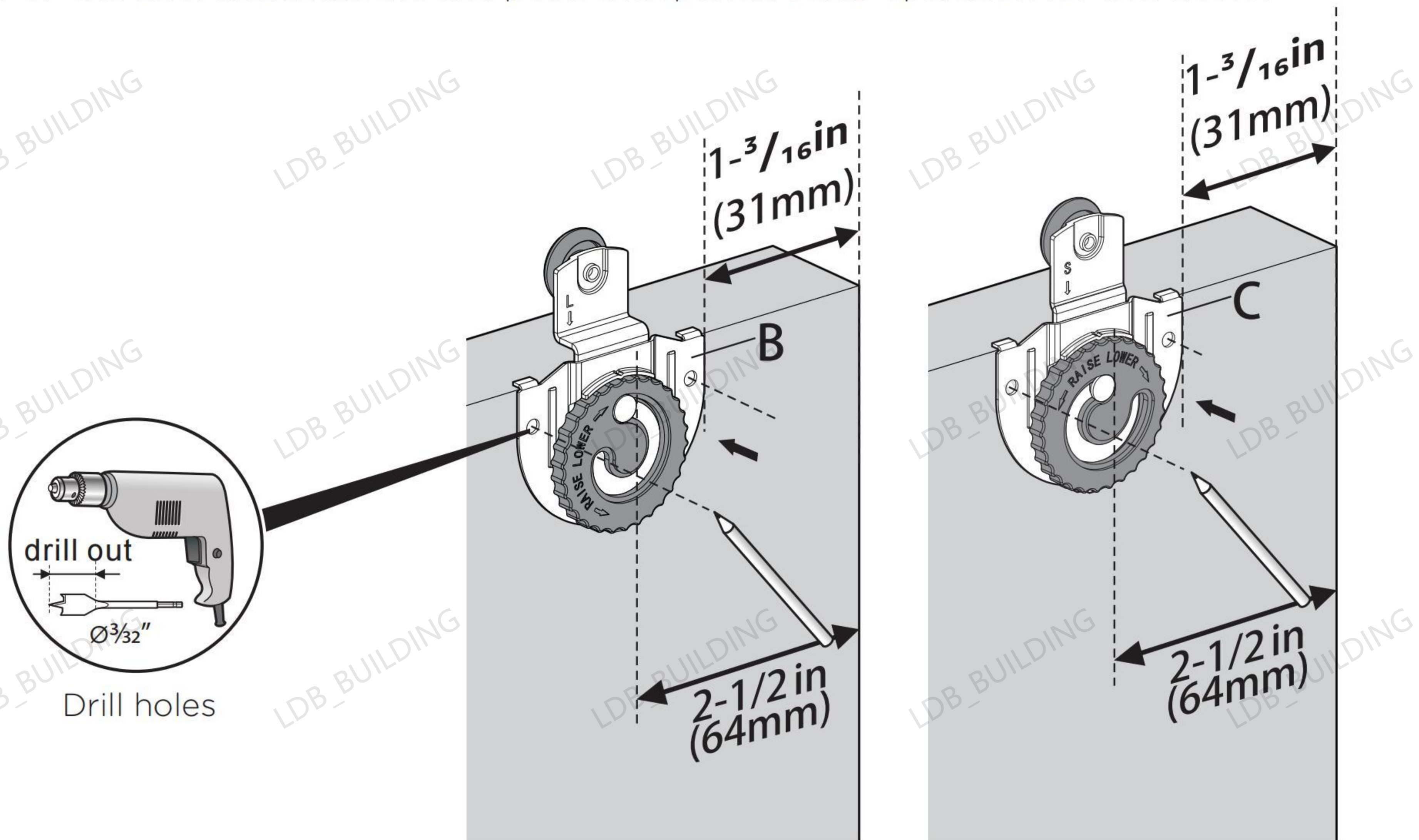
③ Attach track to the head jamb with longer screws (4.2mmx32mm)

Product Installation

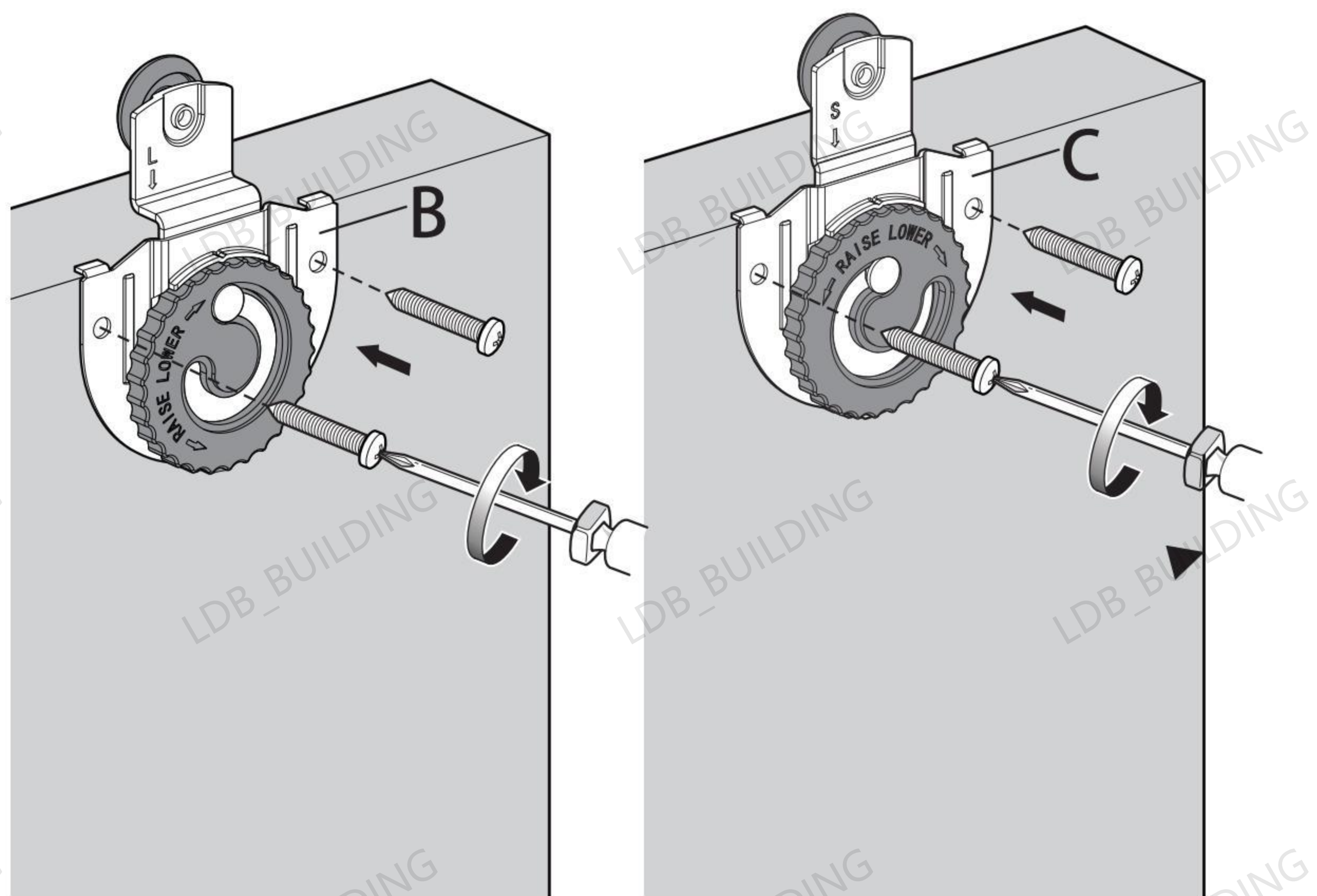
Step 3 Attach the roller to the door

Attention: There are two types of rollers. Please attach the same rollers to one door. The side with roller should be facing inward. The holes for finger pull are pre-drilled. Please make sure the side with the pull hole is outward and the roller should be attached to the other side of the door.

Lay the doors face down and seat the roller on the door top, about 1-3/16inch away from the edge of the door and mark the drill point with pencil. Same operation for two doors.

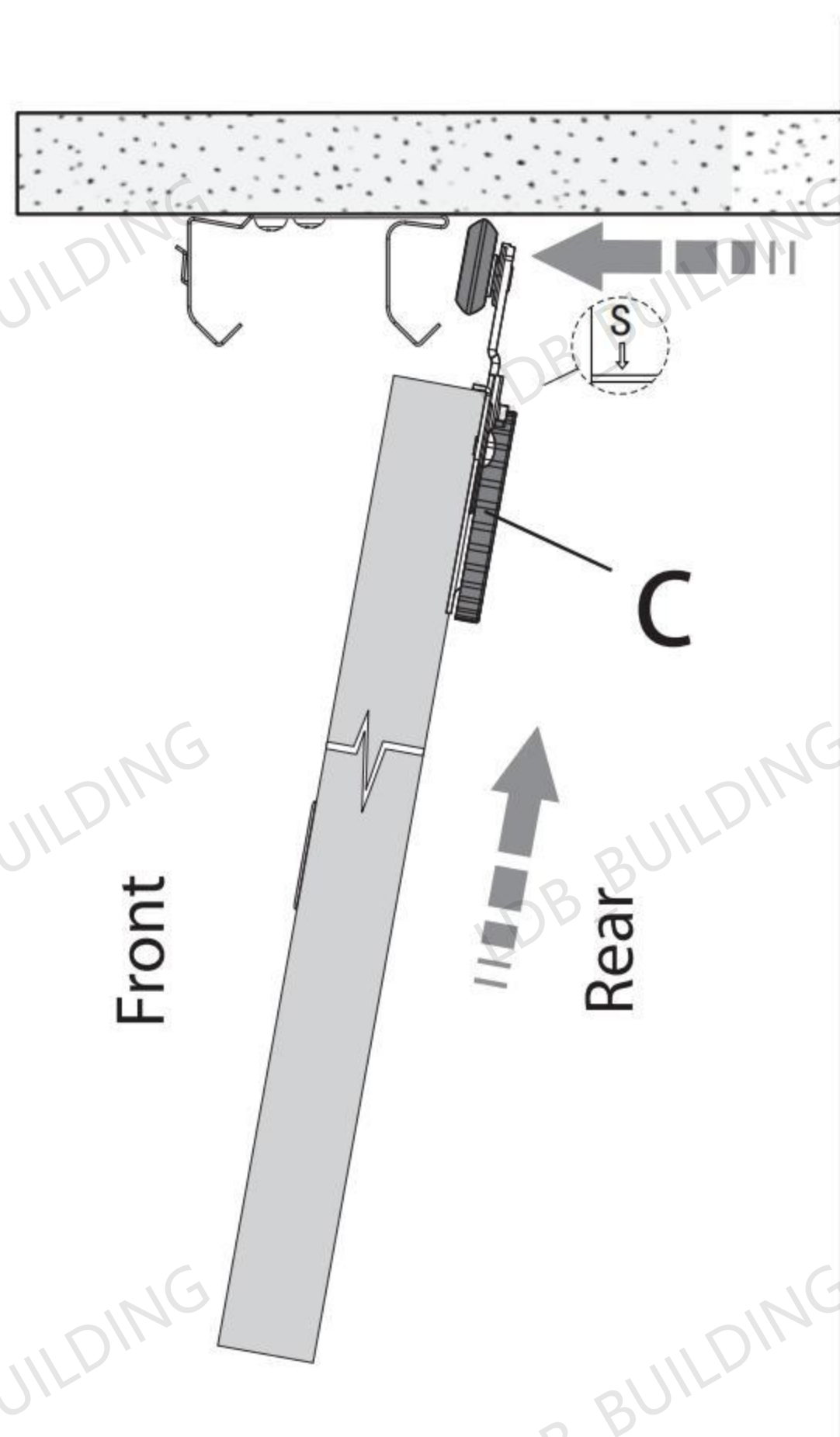


Attach rollers to the door with screws (4.2mmx16mm)

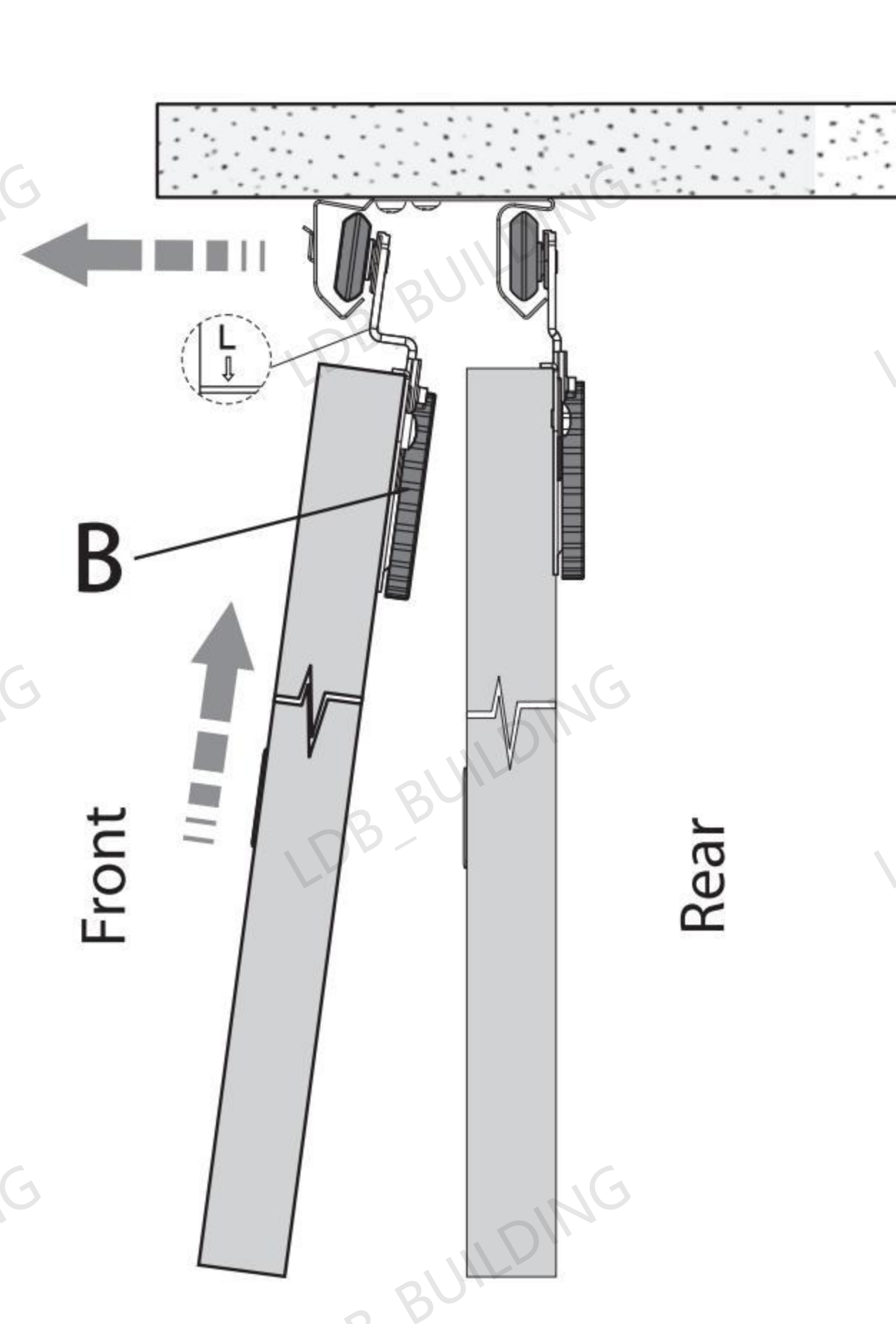


Product Installation

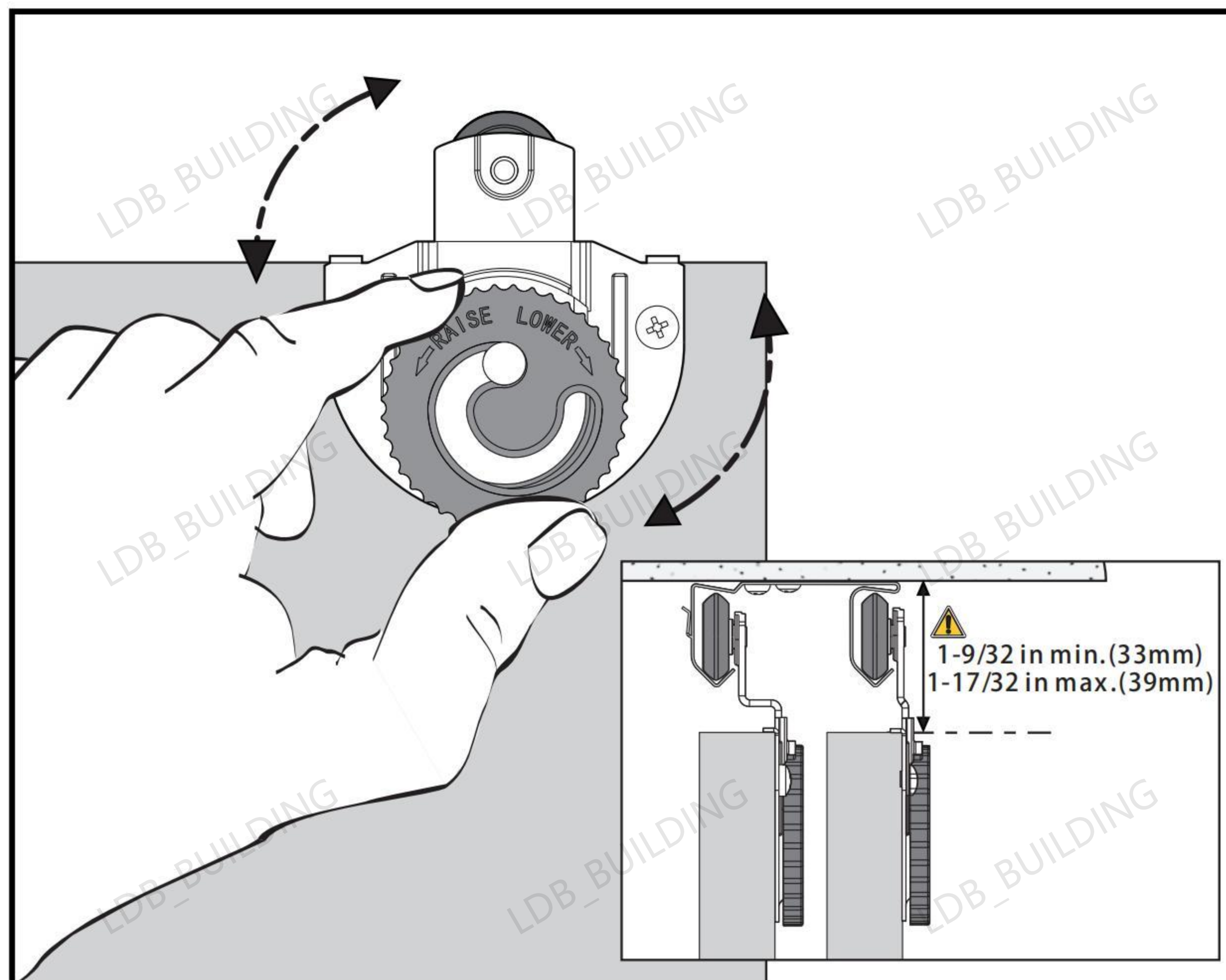
Step 4 Hang the door to the track



First hold the door attached with **C type** roller (straight one) with at least 20 degree angle to hang the door to the **back track**



Later hang the door attached with **B type** roller (L-SHAPED) to the **front track** with 20 degree angle.

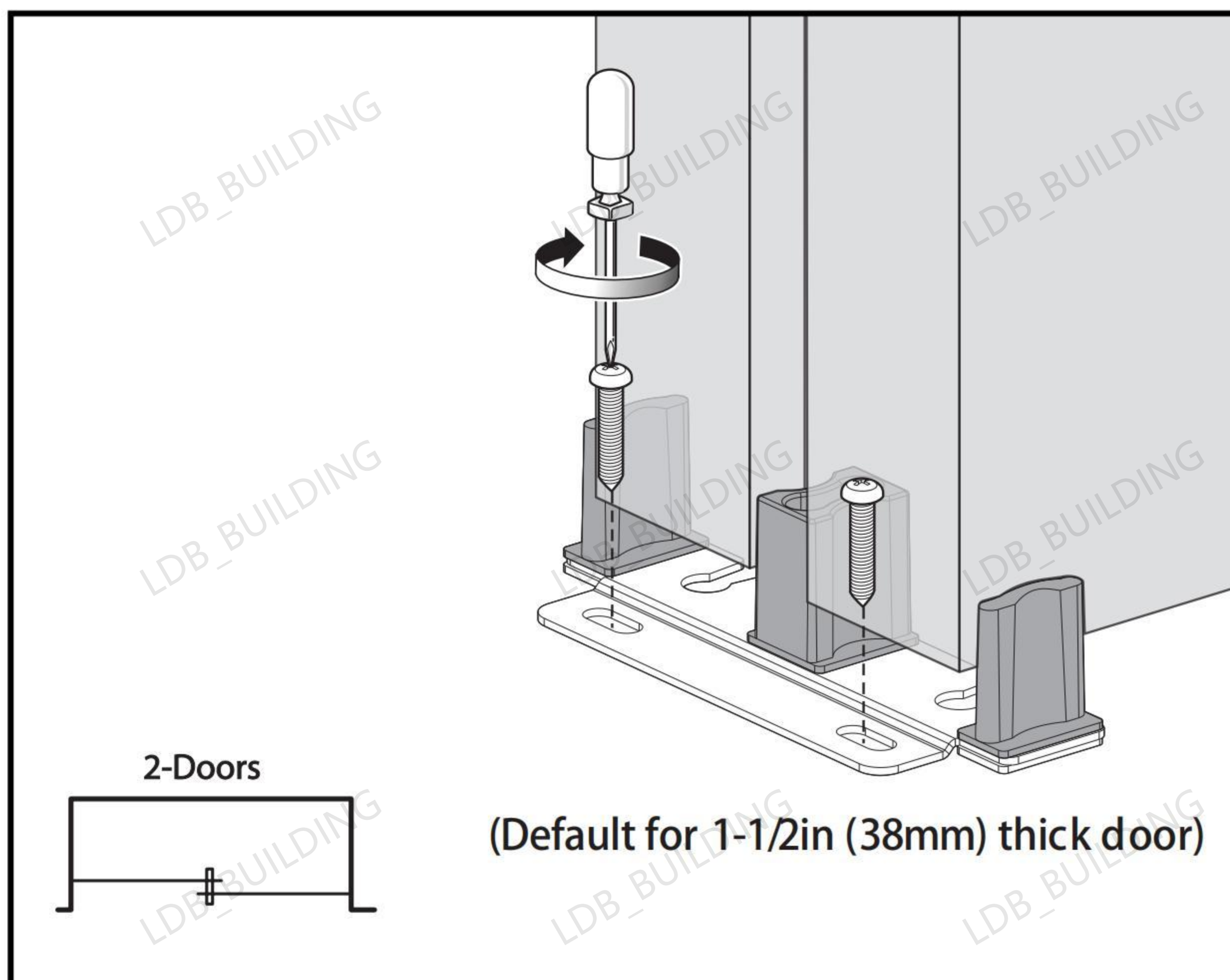
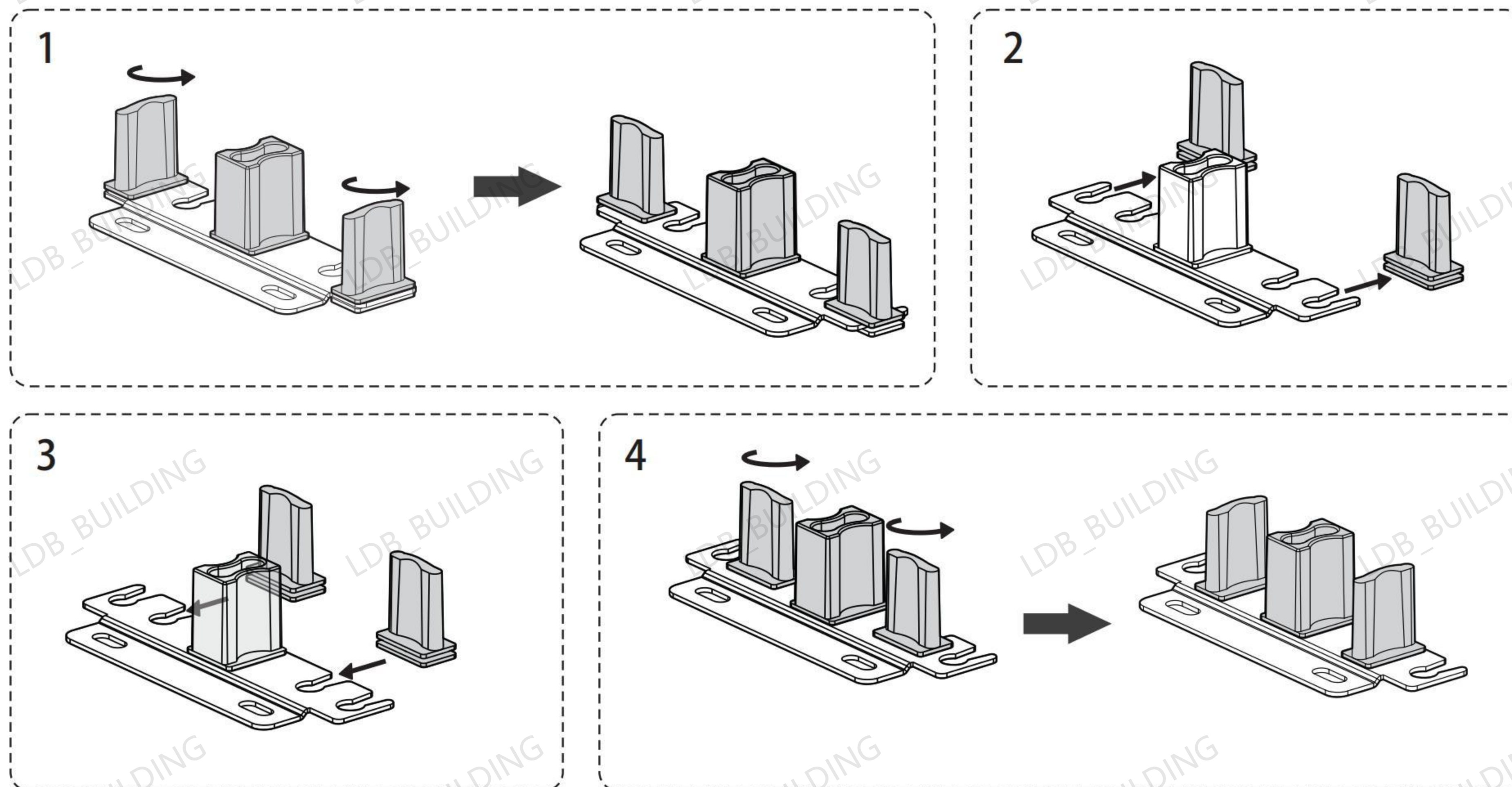


Slide the door close to the door jamb. If there is a gap between the door and the door jamb, rotate the plastic gear until the gap is eliminated.

Product Installation

Step 5 Install floor guide

Assemble the floor guide. The nylon plate is removable and adjustable. Please assemble the floor guide according to the door width. Our door thickness is 7/8inch. Following is the assembly way to match our door size.

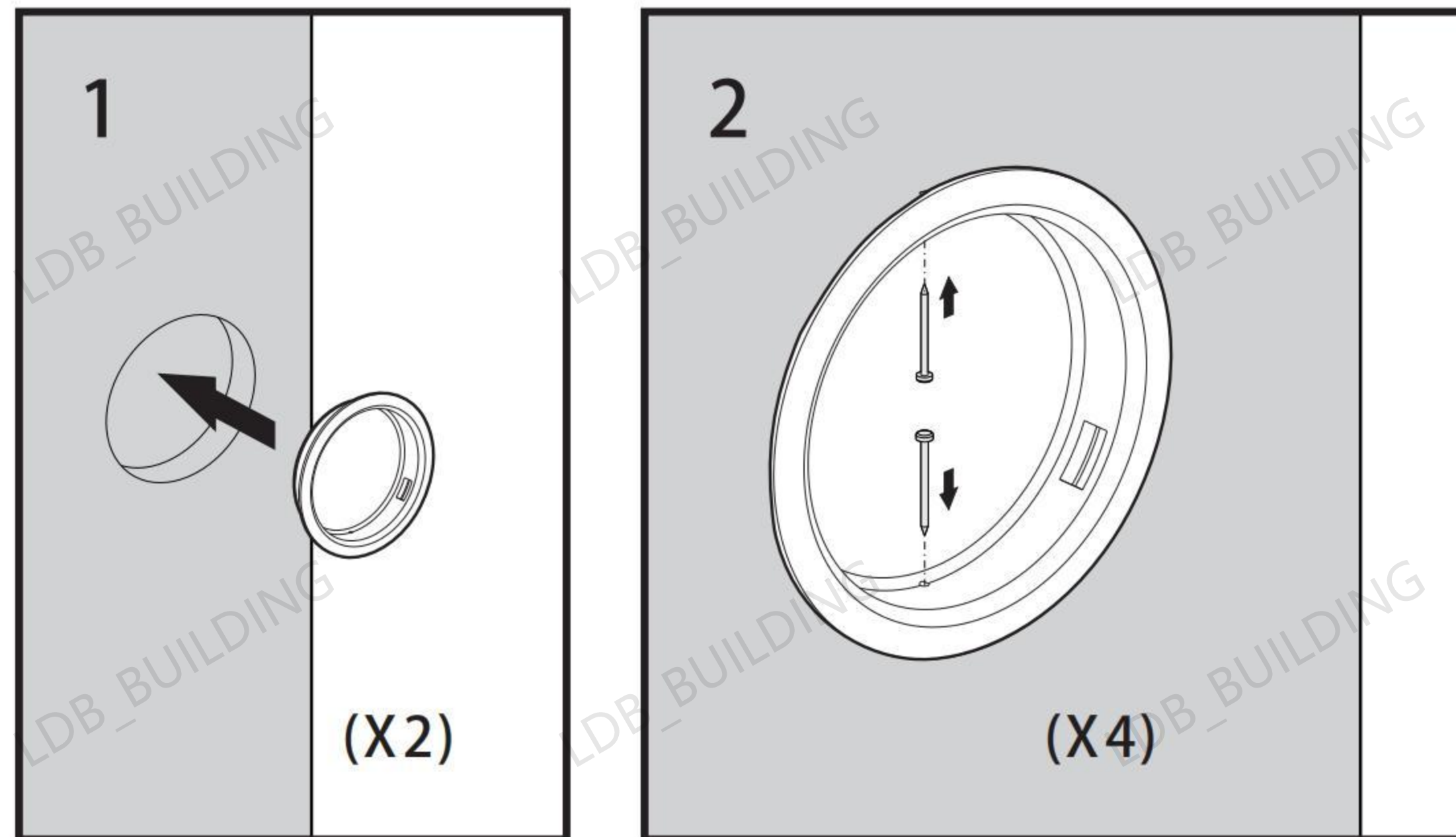


Slide the door close to one door jamb and install the floor guide and secure with screws(4.2mmx 19mm)

Product Installation

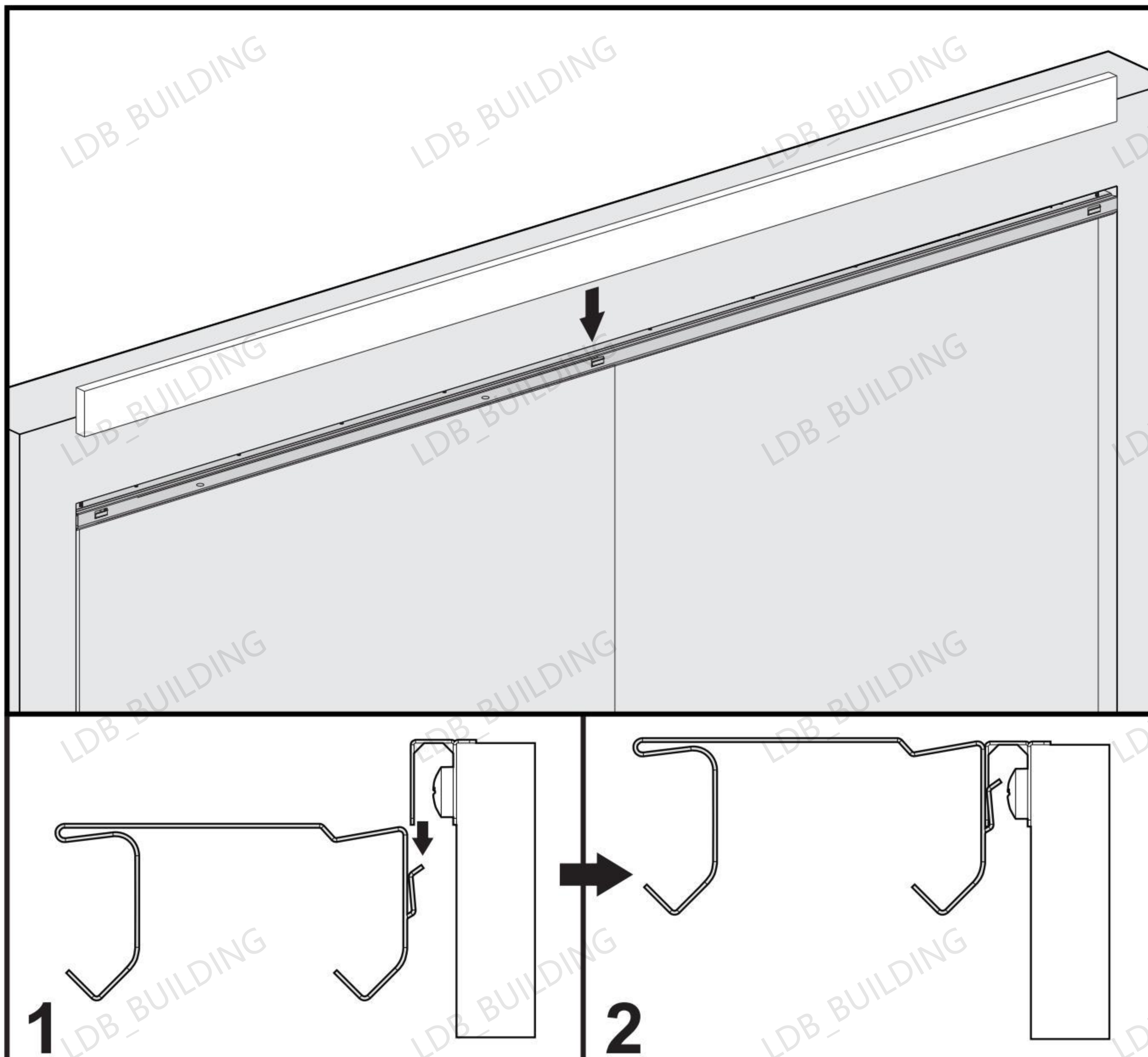
Step 6: Install finger pull

Insert round pull to the door hole and secure the handle with two pins.



Step 7: Hange Fascia

Attention: On the track, there are three clasps, which is used to hold the fascia.



Hang the fascia to the track.