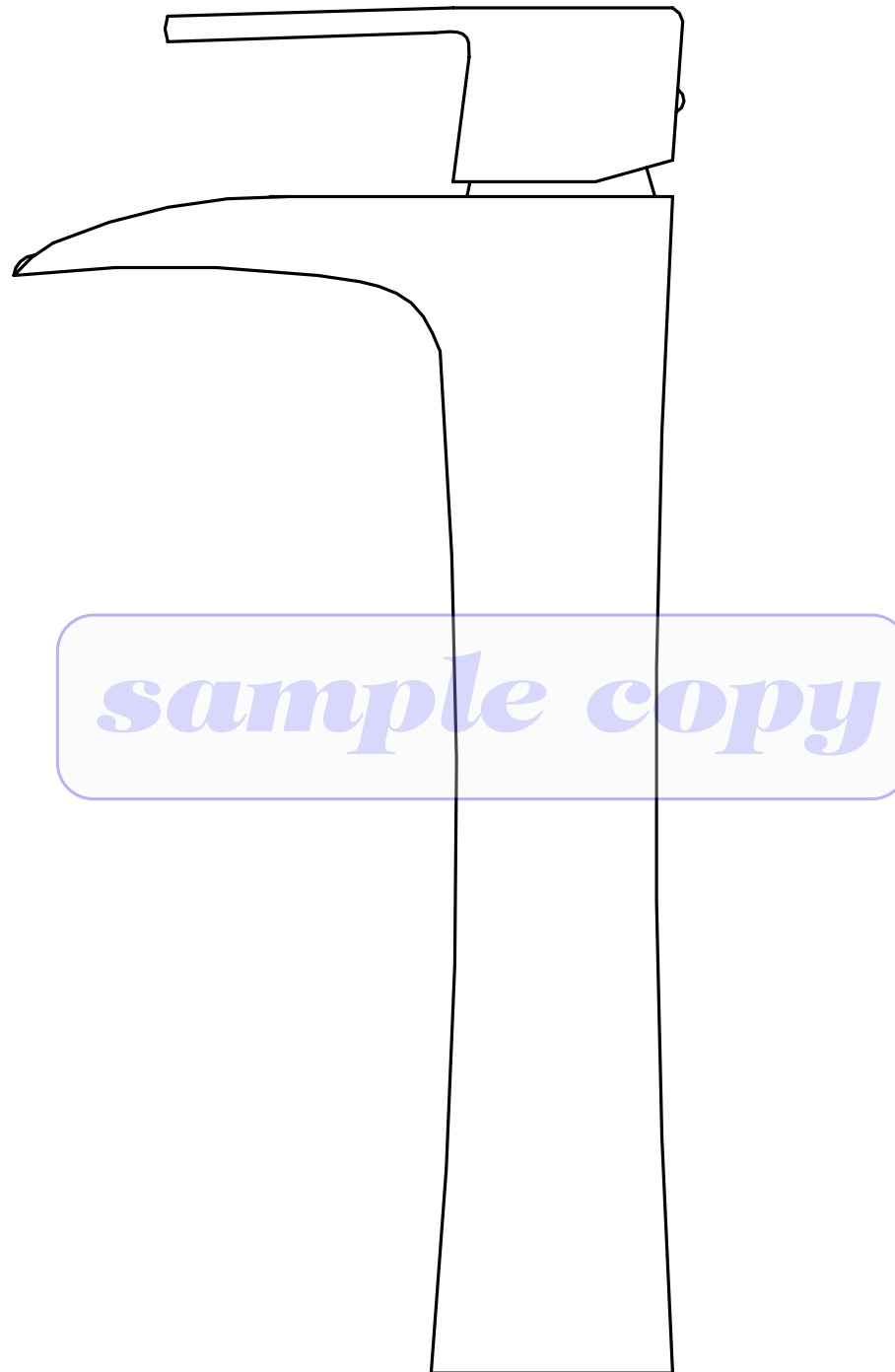


DATASHEET AND MEASUREMENT

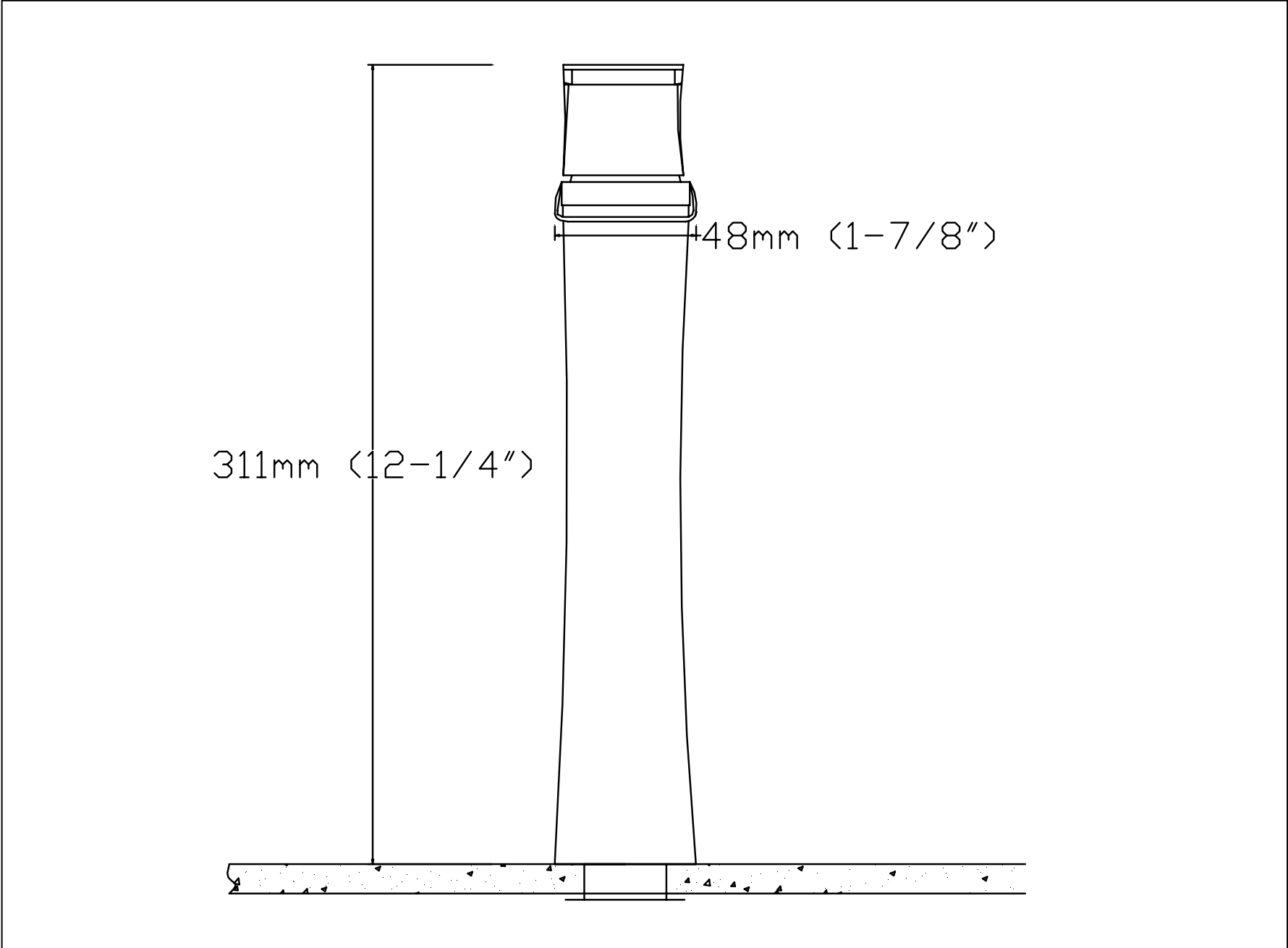


SINGLE LEVER WATERFALL LAVATORY FAUCET

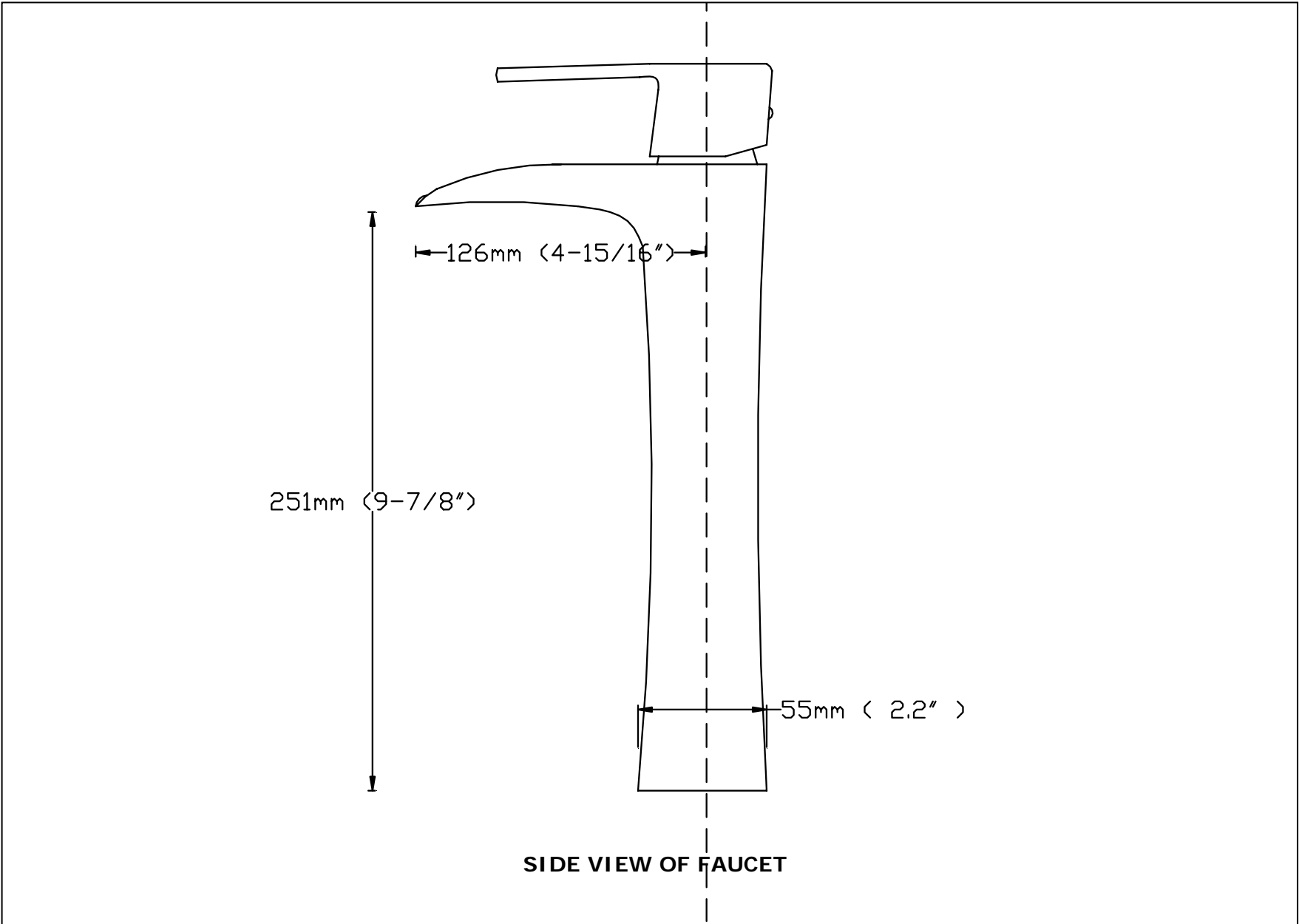
FUNCTIONS AND SPECIFICATION

Function	Bathroom Sink Faucets
Feature	Waterfall, Vessel
Style	Contemporary
Finish	Chrome
Installation Holes	One Hole
Handle type	Lever
Number of Handles	One
Faucet Total Height	311mm [12-1/4 Inch]
Spout Reach	126mm [4-15/16 Inch]
Spout Width	48mm [1-7/8 Inch]
Spout Height	251mm [9-7/8 Inch]
Max deck thickness	36mm [1-7/16 Inch]
Valve Type	Ceramic disc cartridge
Faucet Body Material	Brass
Faucet Spout Material	Brass
Net Weight	2.40 KG [5.29lbs]
Gross Weight	2.90 KG [6.39lbs]
Working water press	0.2 ~0.8 Mpa
Flow rate	6.8L/M [1.8GPM]
Packing box size	430mm[16-15/16"]x 210mm[8-1/4"] x 140mm[5-9/16"]

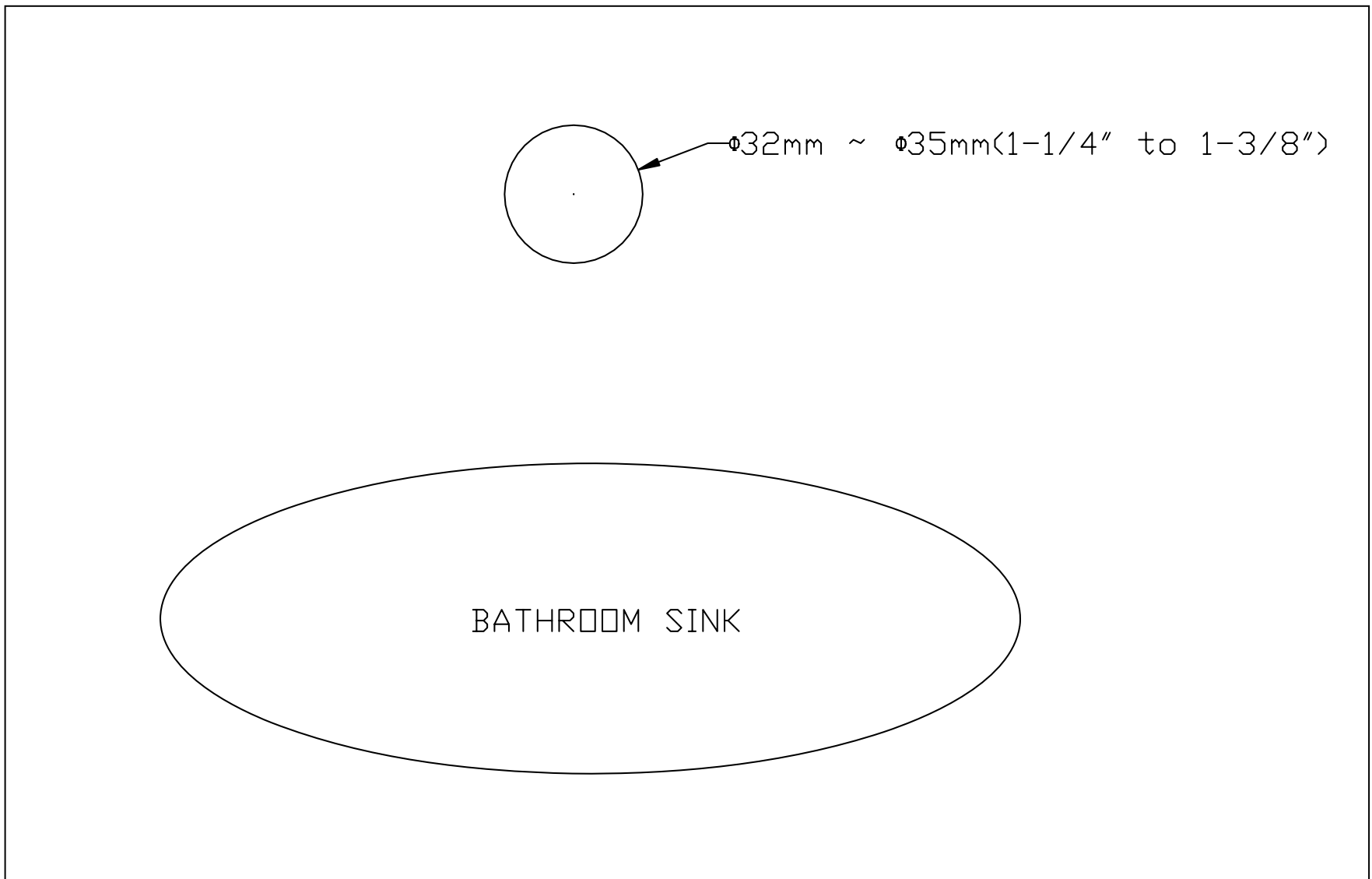
DIMENSION



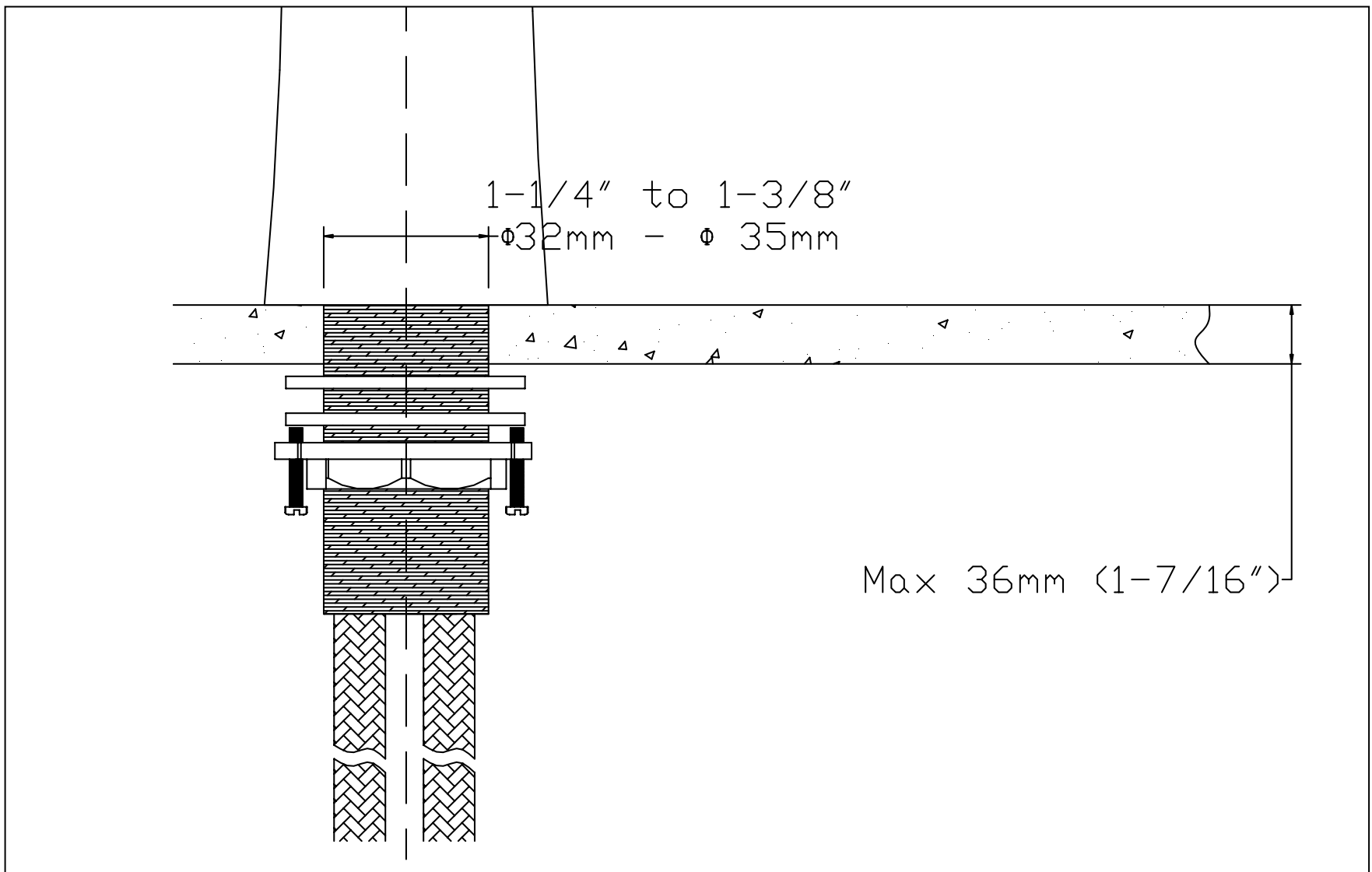
FRONT VIEW OF FAUCET



SIDE VIEW OF FAUCET

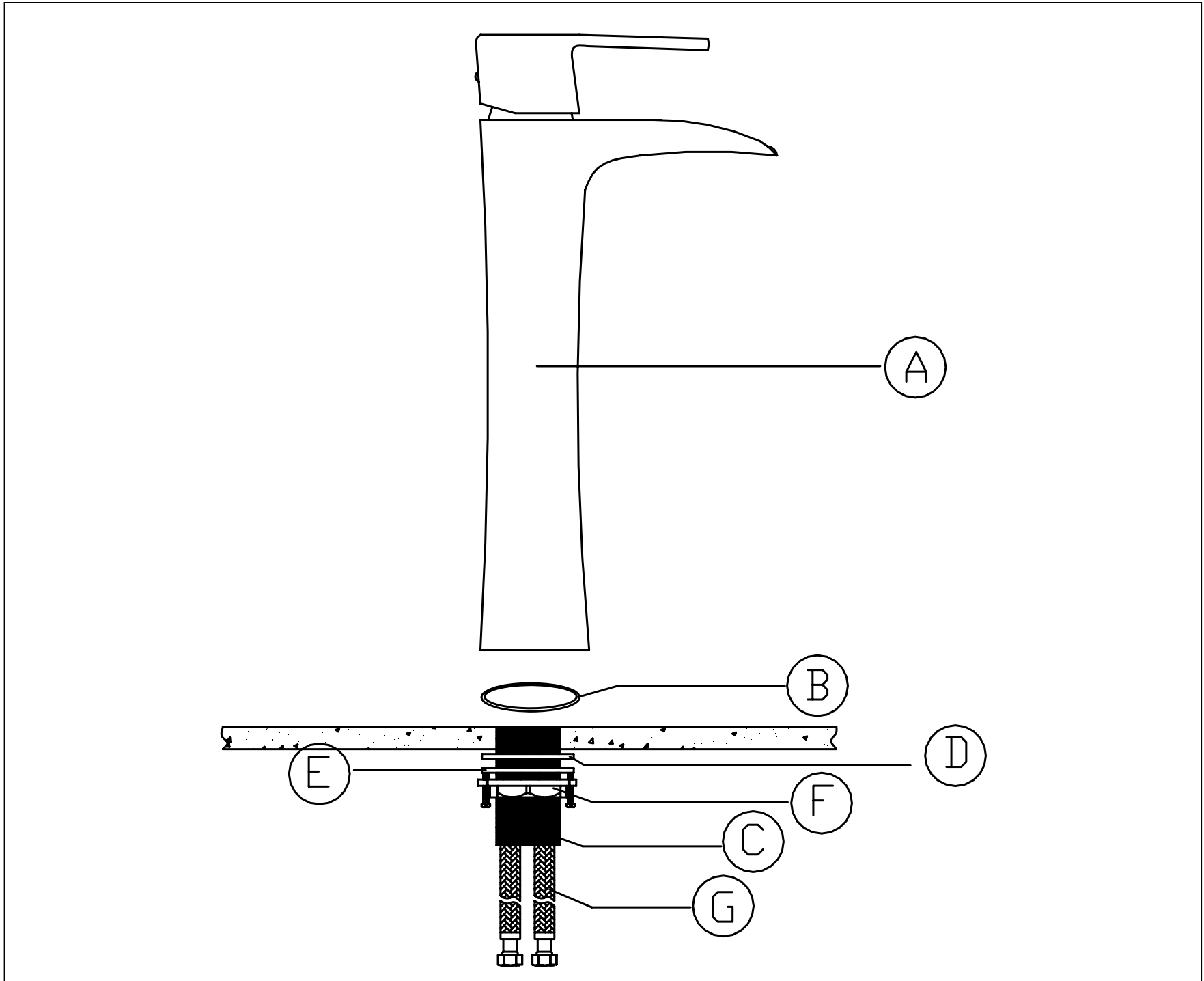


MOUNTING HOLE DIMENSION



MAX DECK THICKNESS

ACCESORIES LIST



CODE	ITEM NAME	QTY	CODE	ITEM NAME	QTY
A	Faucet body	1	B	O-Ring	1
C	Thread tube	1	D	Rubber gasket	1
E	Metal shim	1	F	Nut	1
G	Hose	2			



HONGKONG SUMERAIN SANITARY INDUSTRY CO., LIMITED

Address: ROOM 1018, HOLLYWOOD PLAZA 610 NATHAN ROAD MONGKOK, KL
Factory Address: Shuikou Industrial Park, Kaiping City, Guangdong Province, China (Mainland)
Tel: +86-750-2731579
Fax: +86-750-2715258
Web: www.sumerain.com
E-mail: hk@sumerain.com

SUMERAIN INTERNATIONAL GROUP – AMERICA Sales Branch

Address: 13455 Harper Dr.
Saratoga, CA 95070
USA
Tel: +1-408-867-8884
FAX: +1-408-867-4272
E-mail: us@sumerain.com