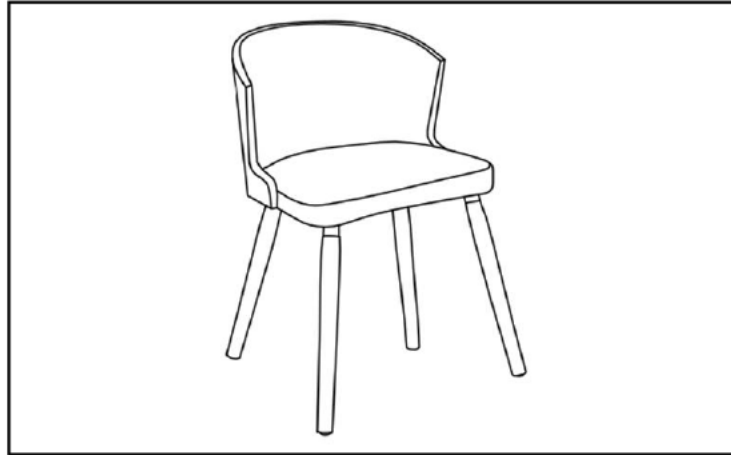

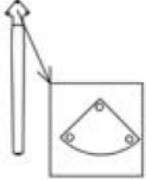
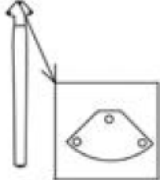
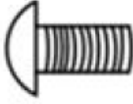



INDOOR BARSTOOL

INDOOR BARSTOOL ASSEMBLY INSTRUCTION



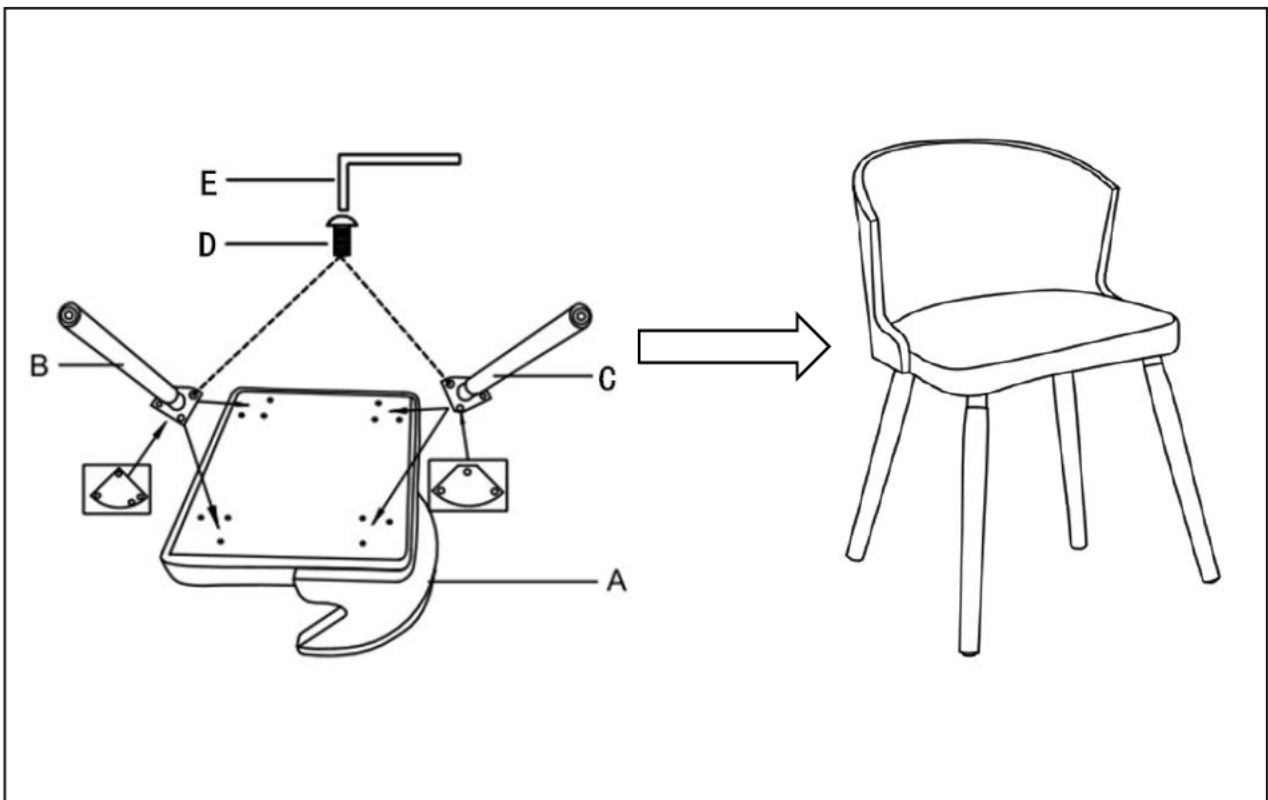
Part	PARTS LIST Description	Quantity
A	<i>PARTS</i> Seat	1
B	Front Leg	
2		
C	Back Leg	
2		
	<i>HARDWARE</i>	
D	Bolt	12
E	Allen Key	1

A	B	C	D	E
				
Seat 1PC	Front Leg 2PCS	Back Leg 2PCS	Bolt 12PCS	Allen Key 1PC

PLEASE READ AND FOLLOW ALL SAFETY TIPS

***Do not fasten the bolts before finishing all steps.

1. Locate the Front Legs (B) and Back Legs (C) to the Seat (A) by aligning the pre-drilled holes. Each leg should have 3 fastened Bolts (D). Fasten the Bolts (D) with the Allen Key (E). (Photo 1)



Till now you have finished the whole assembly.