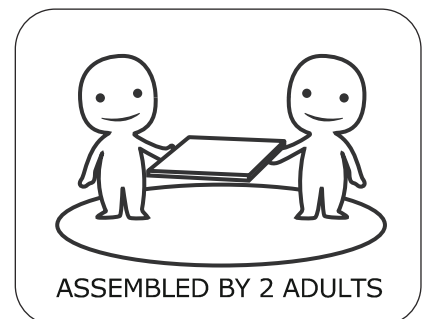
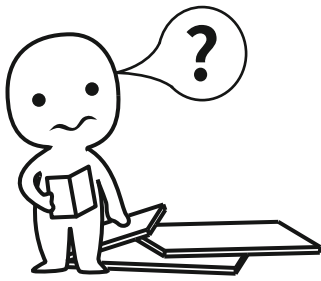


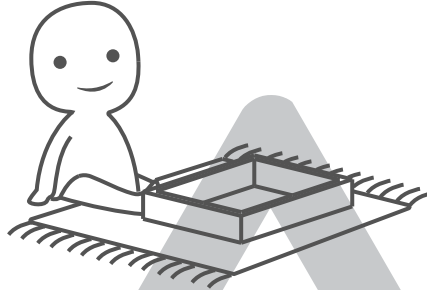
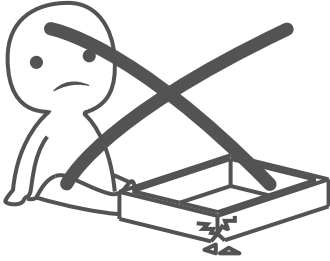
Changing Table





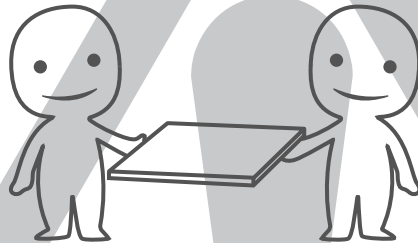
IMPORTANT INFORMATION!

please read the entire manual before starting to assemble and/or using this product. follow the manual thoroughly and keep it for further reference.



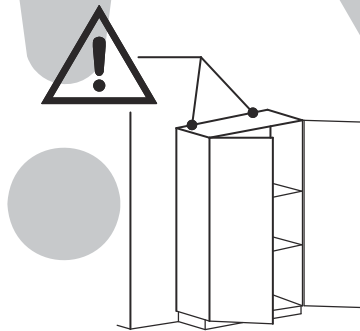
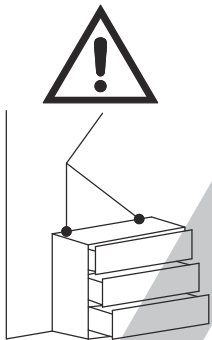
AVOID SCRATCHES!

In order to avoid scratching this furniture should be assembled on a soft layer- could be a rug.



IMPROVE EFFICIENCY !

Try to find a partner to install with you, which can speed up the installation efficiency and shorten the time.



ANTI-TOPPLE WARNING !

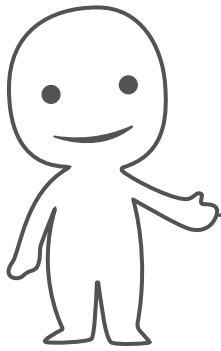
Overturned furniture can cause serious or fatal crush injuries. To prevent tipping over, be sure to use the wall attachment, if not included with this product. Please purchase the wall attachment that fit your wall. If unsure, seek professional advice. Please read and follow each step of the instructions carefully.

IMPORTANT !

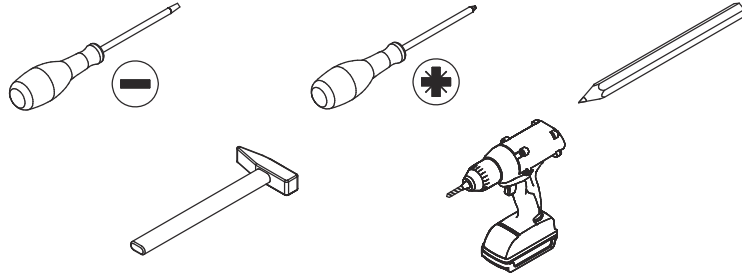
It is important that any product which is assembled using any kind of screw is re-tightened 2 weeks after assembly, and once every 3 months - in order to assure stability through-out the lifespan of the product.

For regular maintenance and cleaning of the product, for the frame, please use a rag dipped in neutral detergent to fully wipe it, and then dry it with a clean rag. For glass materials, wipe with a rag dampened with water glass cleaner, and then dry with a dry rag.

Do not use an electric screwdriver, and do not use too much force when installing, because the board is easy to break.



Please prepare the following tools



When installing, please carefully confirm whether each screw corresponds to the manual, accessories with similar shapes can be distinguished by size

A x 62+5

Ø 6 x 35 mm

B x 62+5

Ø 15 x 11 mm

C x 30+3

Ø 8 x 30 mm

D x 40+4

Ø 3 x 12 mm

E x 7

Ø 6 x 20 mm

F x 7

Ø 3 x 11 mm

G x 10+1

Ø 3 x 12 mm

H x 2

L=350 mm

J x 3

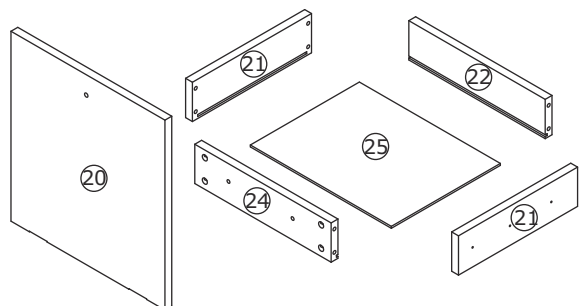
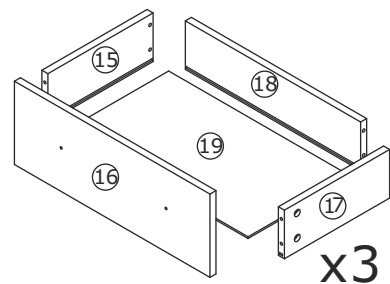
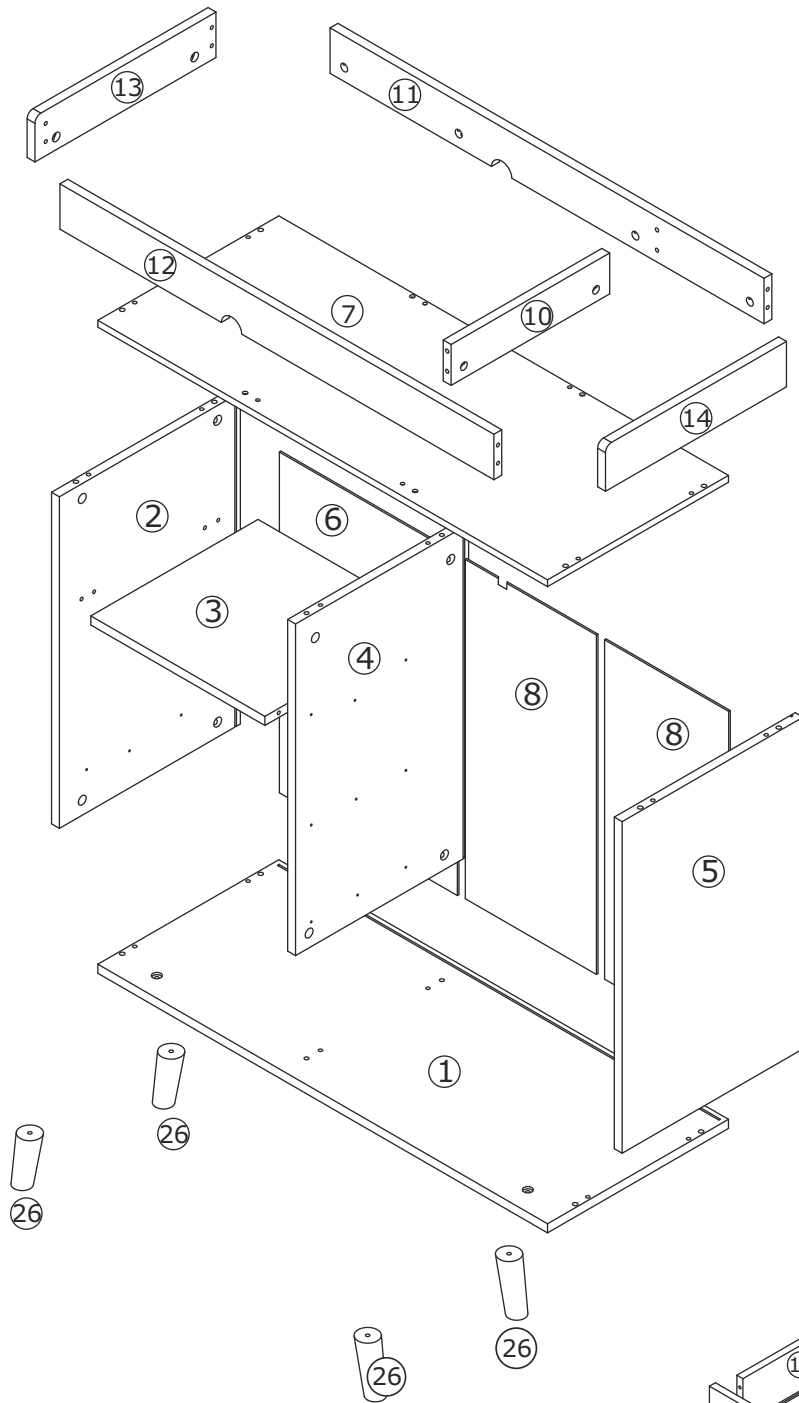
CL CR DL DR
L=350 mm

K x 1

Ø 3.5 x 14 mm

L x 62+6

M x 4



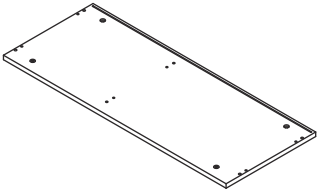
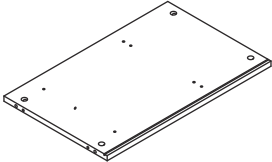
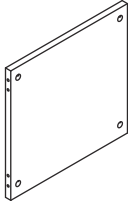
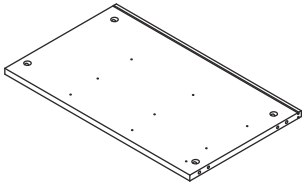
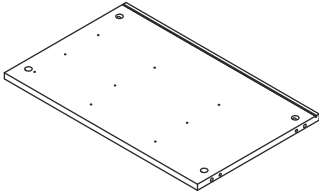
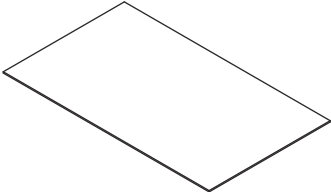
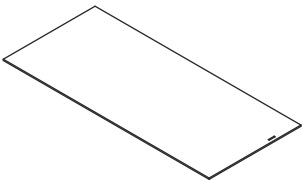
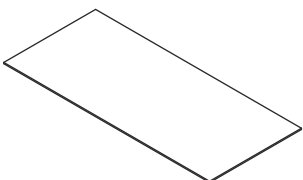
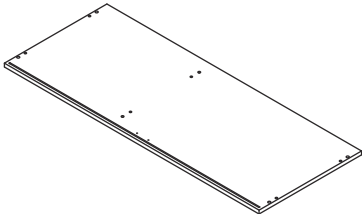
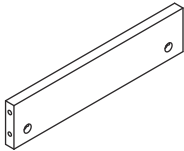
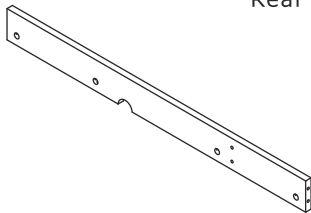
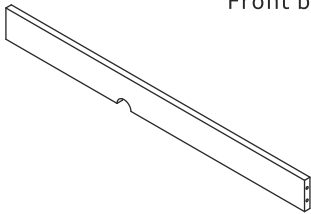
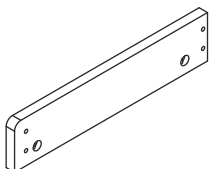
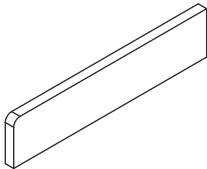
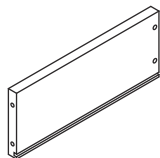
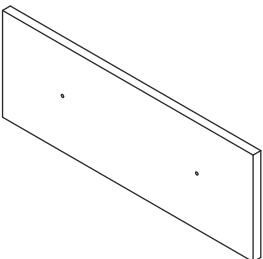
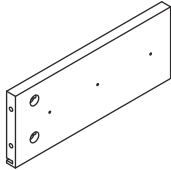
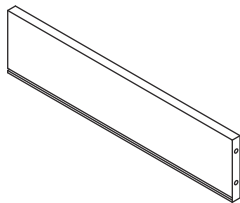
⚠ WARNING

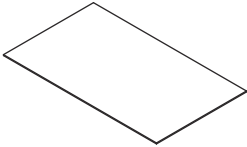
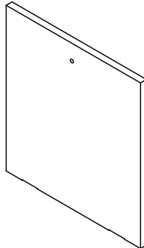
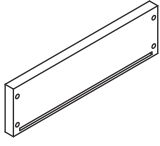
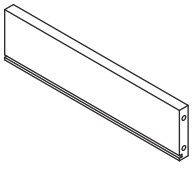
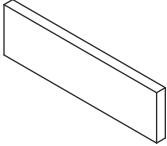
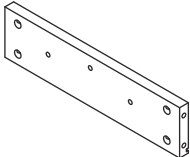
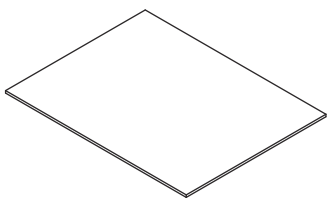



Children have died from furniture tipover. To reduce the risk of furniture tipover:

- ALWAYS install tipover restraint provided.
- NEVER put a TV on this product.
- NEVER allow children to stand, climb or hang on drawers, doors, or shelves
- NEVER open more than one drawer at a time.
- Place heaviest items in the lowest drawers.

This is a permanent label.
Do not remove!

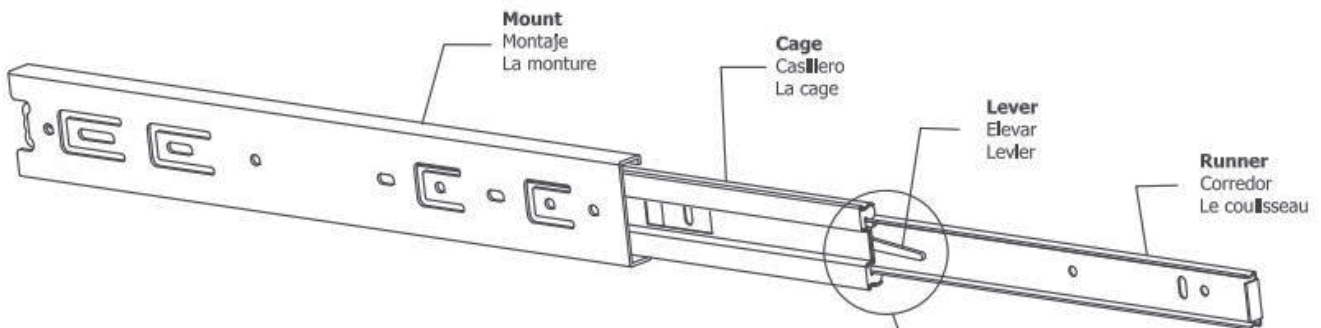
<p>① Bottom plate</p>  <p>x1</p>	<p>② Left side panel</p>  <p>x1</p>	<p>③ Laminate</p>  <p>x1</p>
<p>④ Middle side plate</p>  <p>x1</p>	<p>⑤ Right side panel</p>  <p>x1</p>	<p>⑥ Left backplane</p>  <p>x1</p>
<p>⑦ Left backplane</p>  <p>x1</p>	<p>⑧ Right backplane</p>  <p>x1</p>	<p>⑨ Top plate</p>  <p>x1</p>
<p>⑩ Middle side plate</p>  <p>x1</p>	<p>⑪ Rear baffle</p>  <p>x1</p>	<p>⑫ Front baffl</p>  <p>x1</p>
<p>⑬ Left baffle</p>  <p>x1</p>	<p>⑭ Right baffle</p>  <p>x1</p>	<p>⑮ Drawer left side panel</p>  <p>x3</p>
<p>⑯ Drawer panel</p>  <p>x3</p>	<p>⑰ Drawer right side panel</p>  <p>x3</p>	<p>⑱ Drawer back plate</p>  <p>x3</p>

<p>①9 Drawer base plate</p>  <p>x3</p>	<p>②0 door plank</p>  <p>x1</p>	<p>②1 Drawer left side panel</p>  <p>x1</p>
<p>②2 Drawer back plate</p>  <p>x1</p>	<p>②1 Drawer right side panel</p>  <p>x1</p>	<p>②4 Drawer front plat</p>  <p>x1</p>
<p>②5 Drawer base plate</p> 	<p>②6 leg of a table</p>  <p>x4</p>	

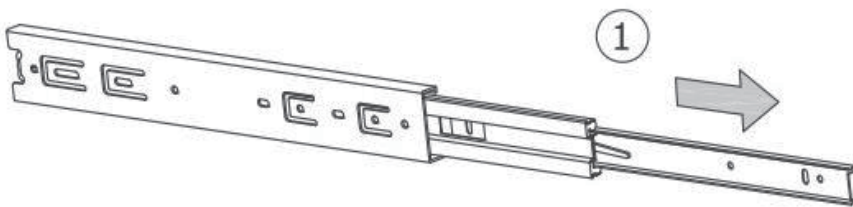
**Slides Must Be Separated Before Assembly.
After Separated, Set Aside Until Needed for Assembly.**

Las diapositivas deben separarse antes del montaje.
Después de la separación, déjelo a un lado hasta que sea necesario.

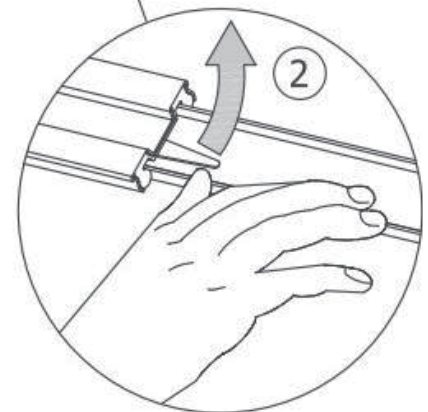
Les glissières doivent être séparées avant l'assemblage.
Après la séparation, mettez de côté jusqu'au moment de l'assemblage.



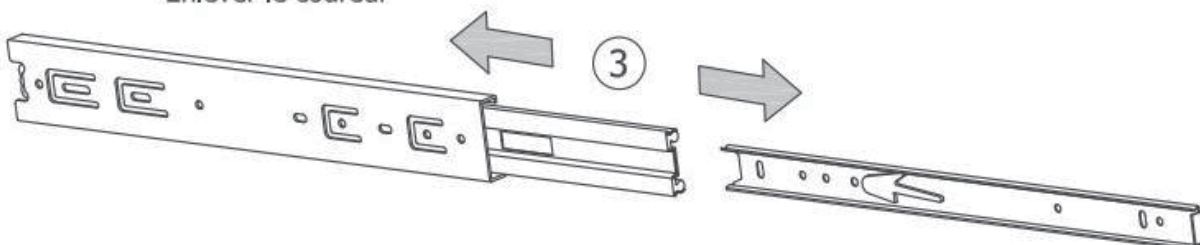
STEP 1: Extend Slide
Extender la diapositiva
Extendre la diapositive



STEP 2: Push Lever UP
Empujar hacia arriba
Levier le levier



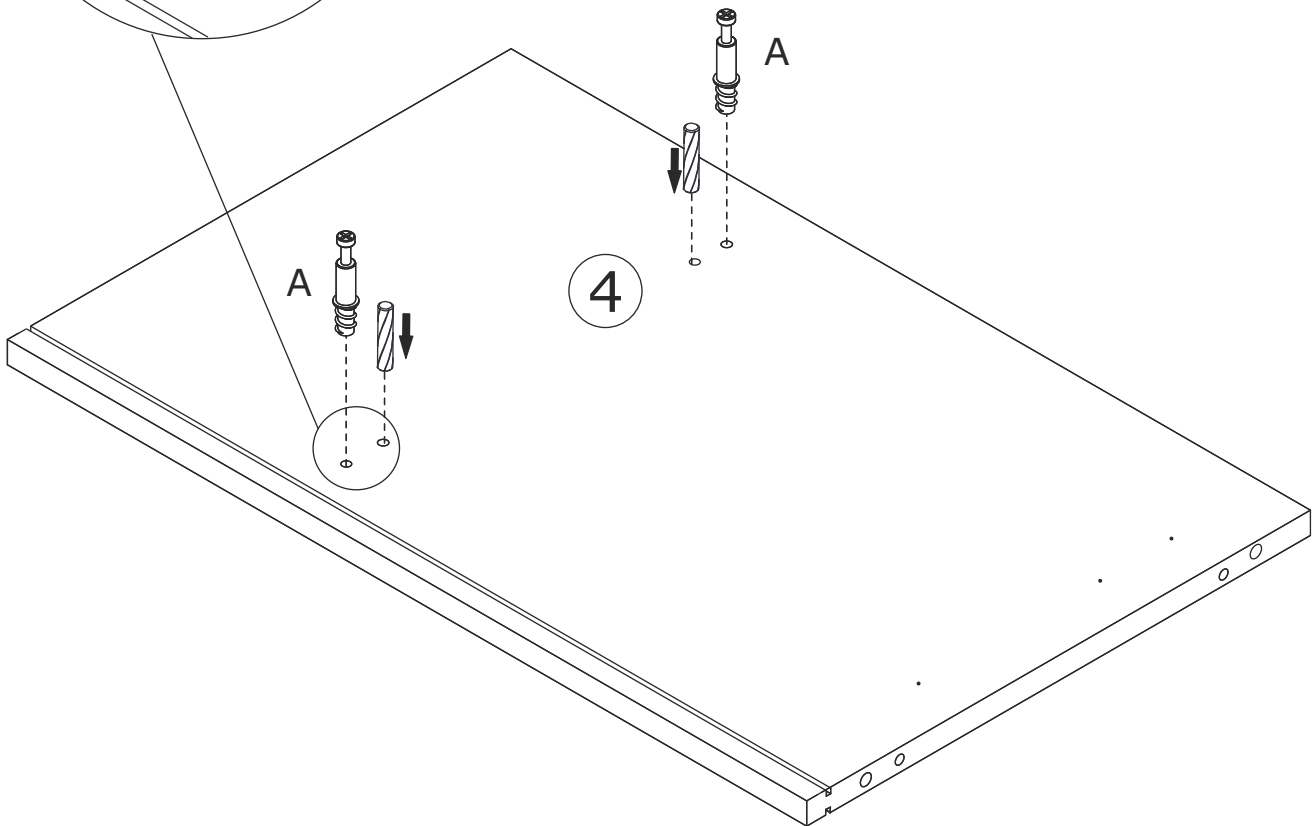
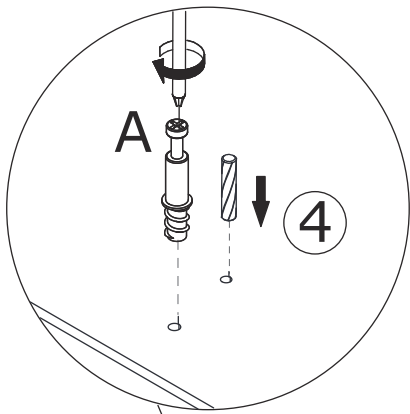
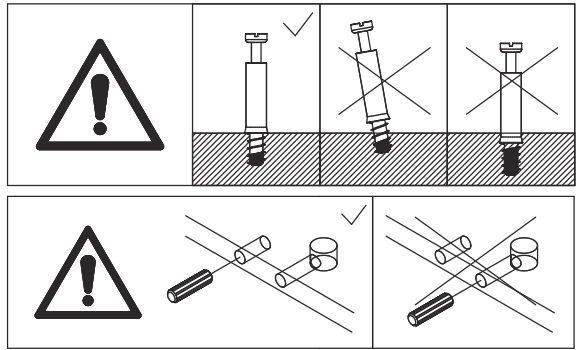
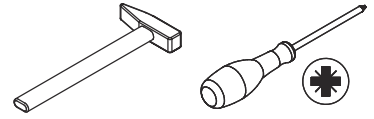
STEP 3: Remove Runner
Quitar el corredor
Enlever le coureur



1

A x 2
Ø 6 x 35 mm

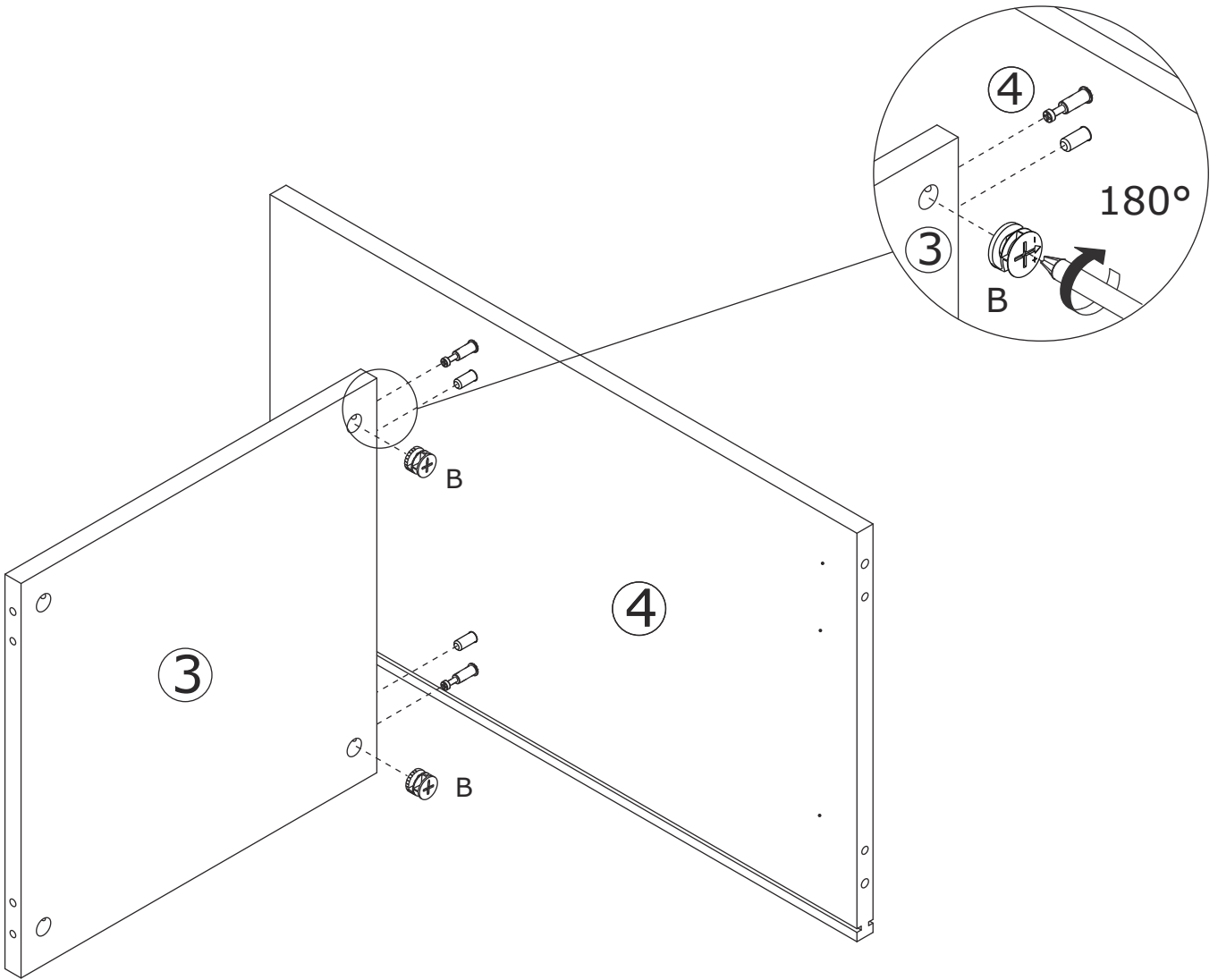
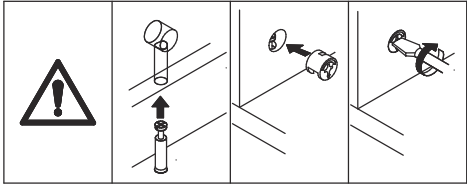
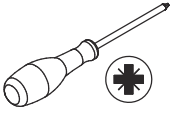
C x 2
Ø 8 x 30 mm



Screw eccentric rod(A) and insert wooden dowel(C) into board 4 as shown.

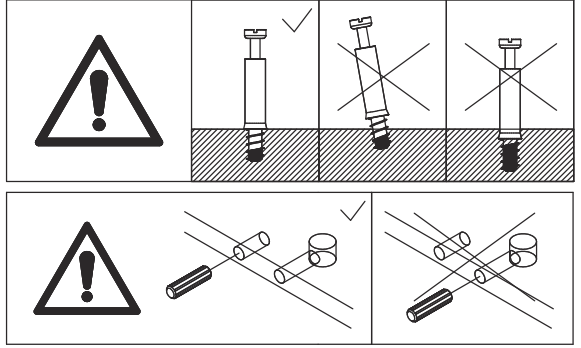
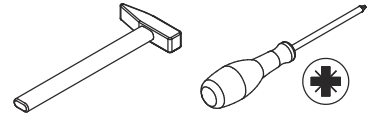
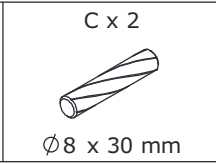
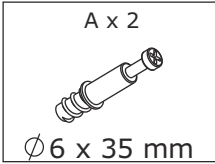
2

B x 2
Ø15 x 11 mm

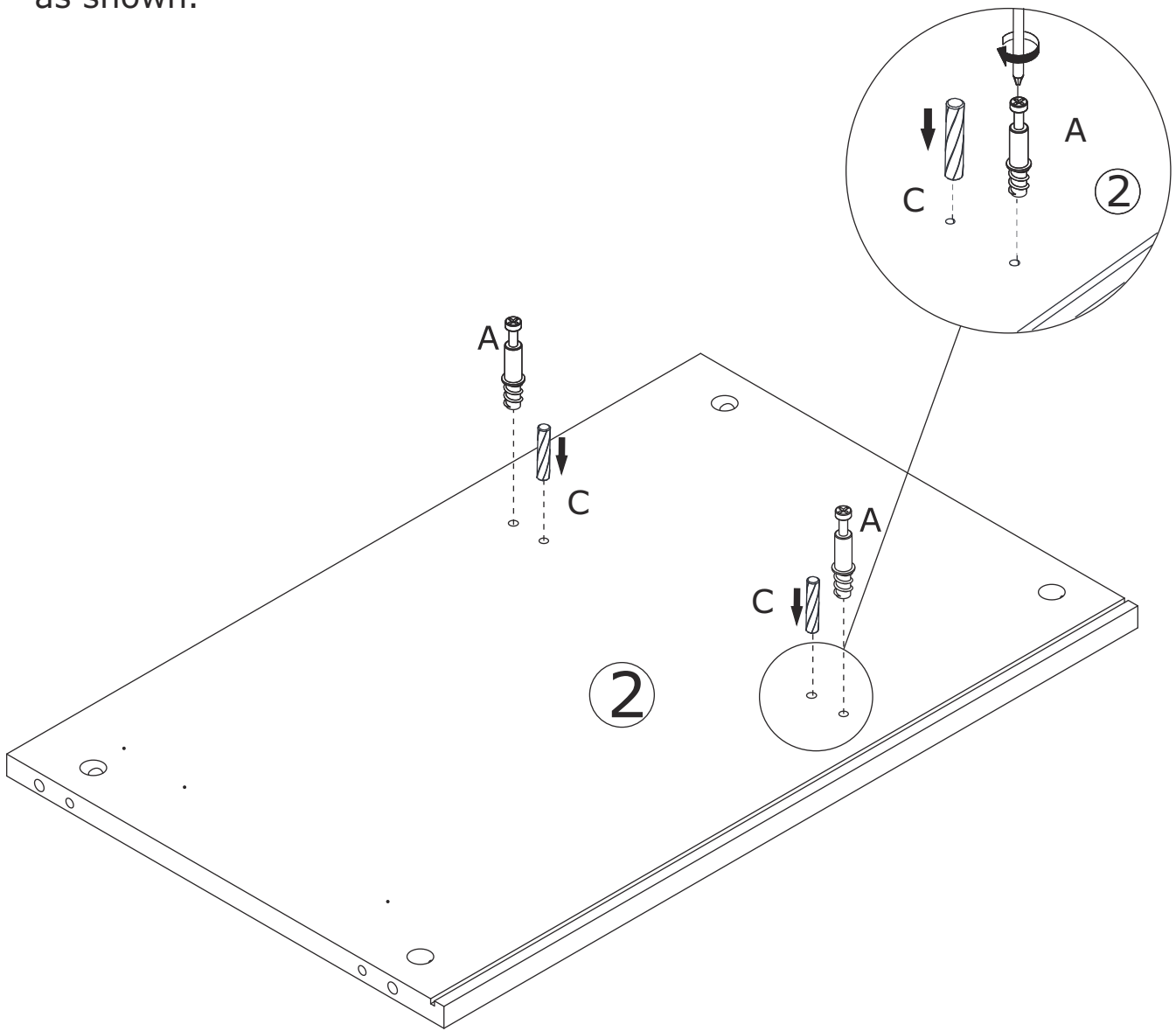


Connect board 3 to board 4, add cam lock(B) into board 3 and turn clockwise to tighten as shown.

3

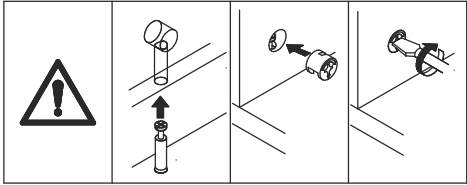
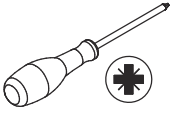


Screw eccentric rod(A) and insert wooden dowel(C) into board 2 as shown.

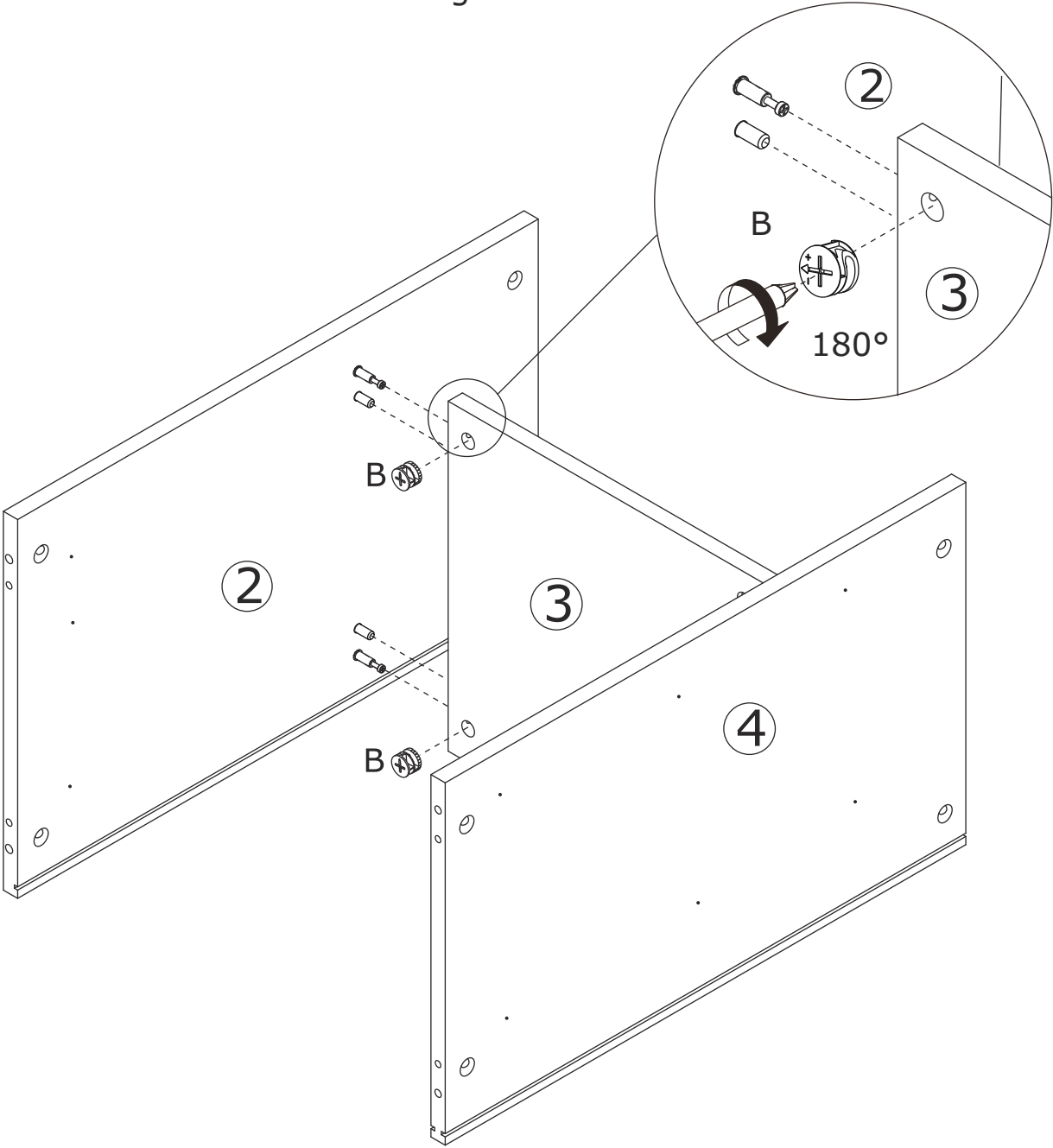


4

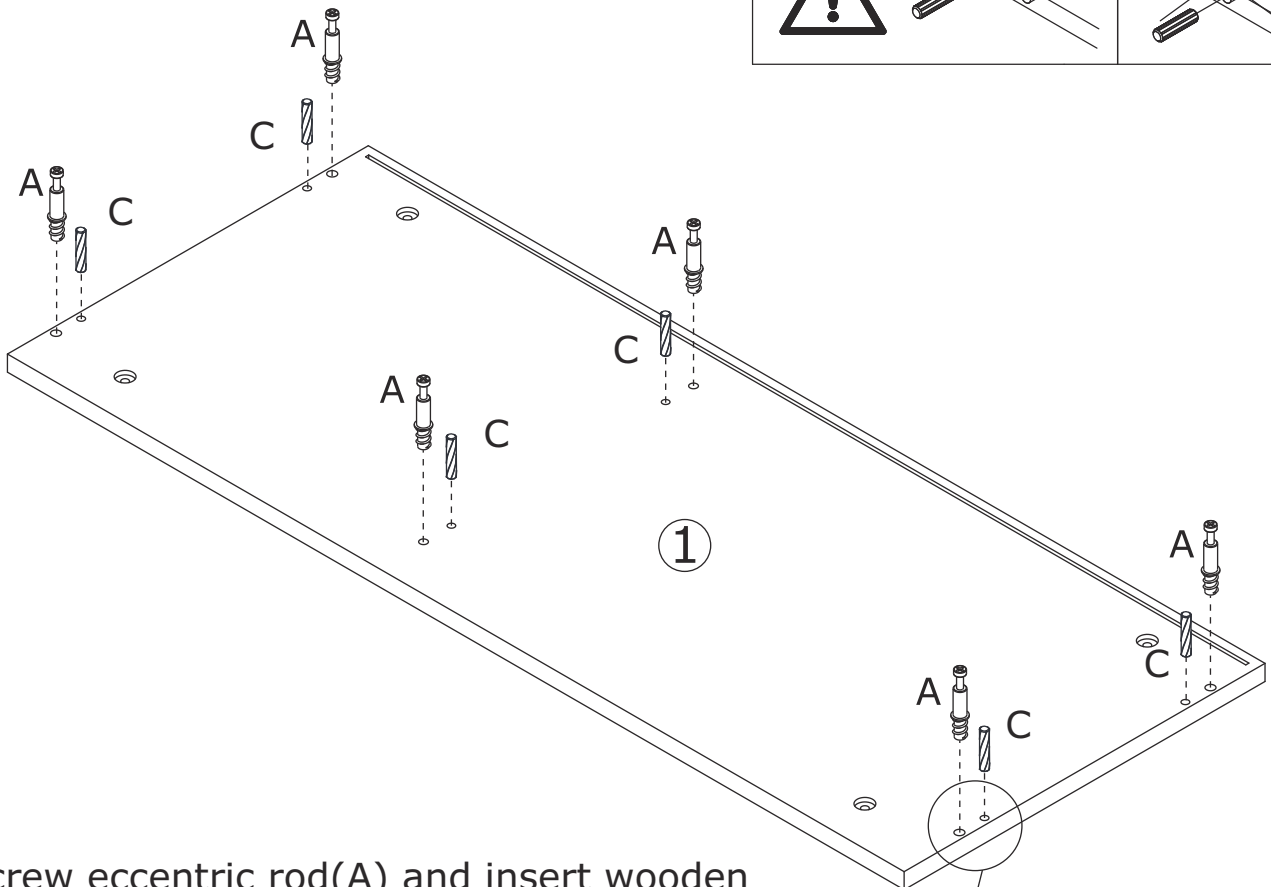
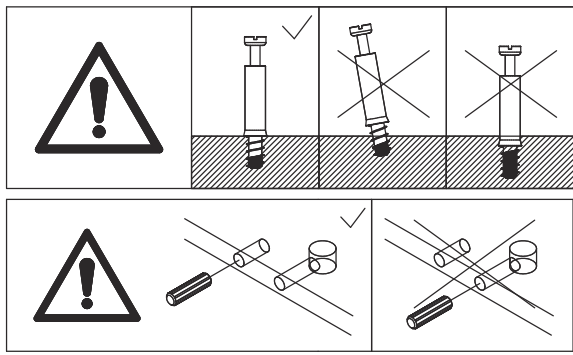
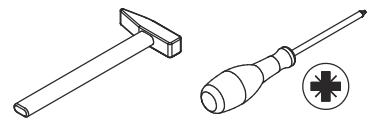
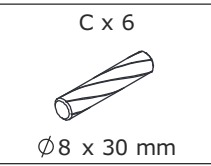
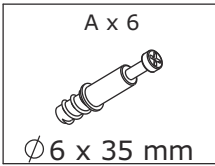
B x 2
Ø15 x 11 mm



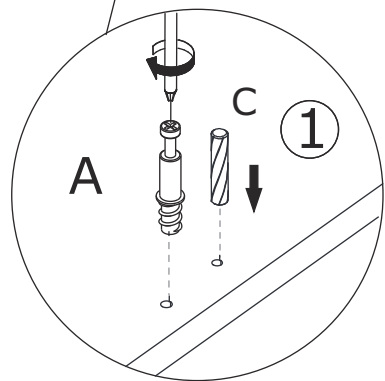
Connect board 3 to board 2, add cam lock(B) into board 3 and turn clockwise to tighten as shown.



5

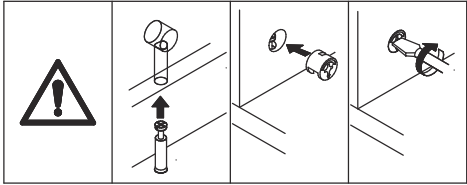
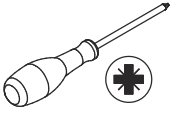


Screw eccentric rod(A) and insert wooden dowel(C) into board 1 as shown.

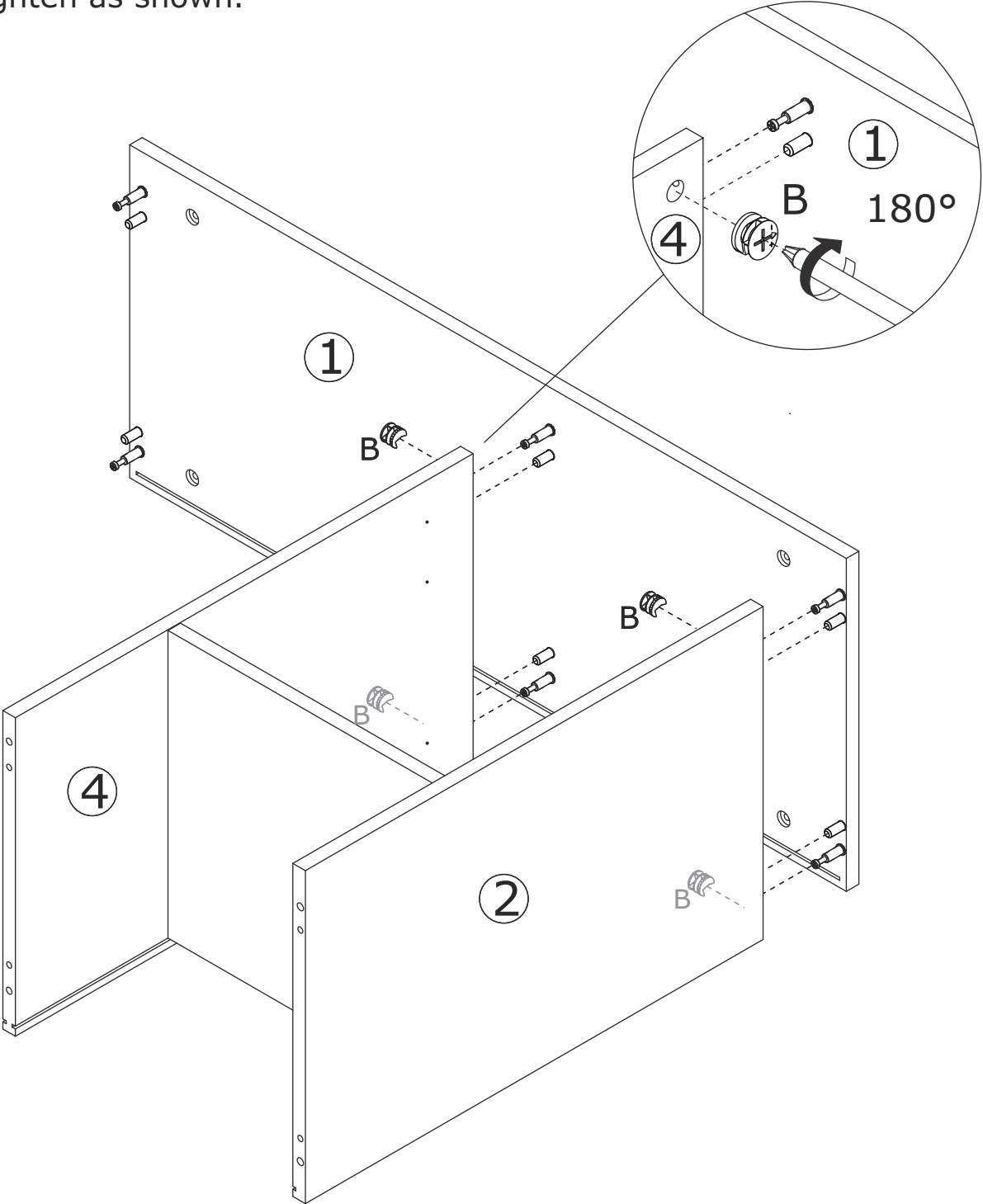


6

B x 4
Ø15 x 11 mm

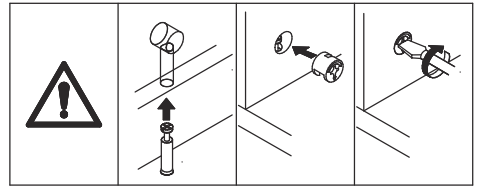
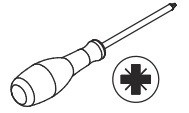


Connect board 1 to board 2 and 4, add cam lock(B) into board 2,4 and turn clockwise to tighten as shown.

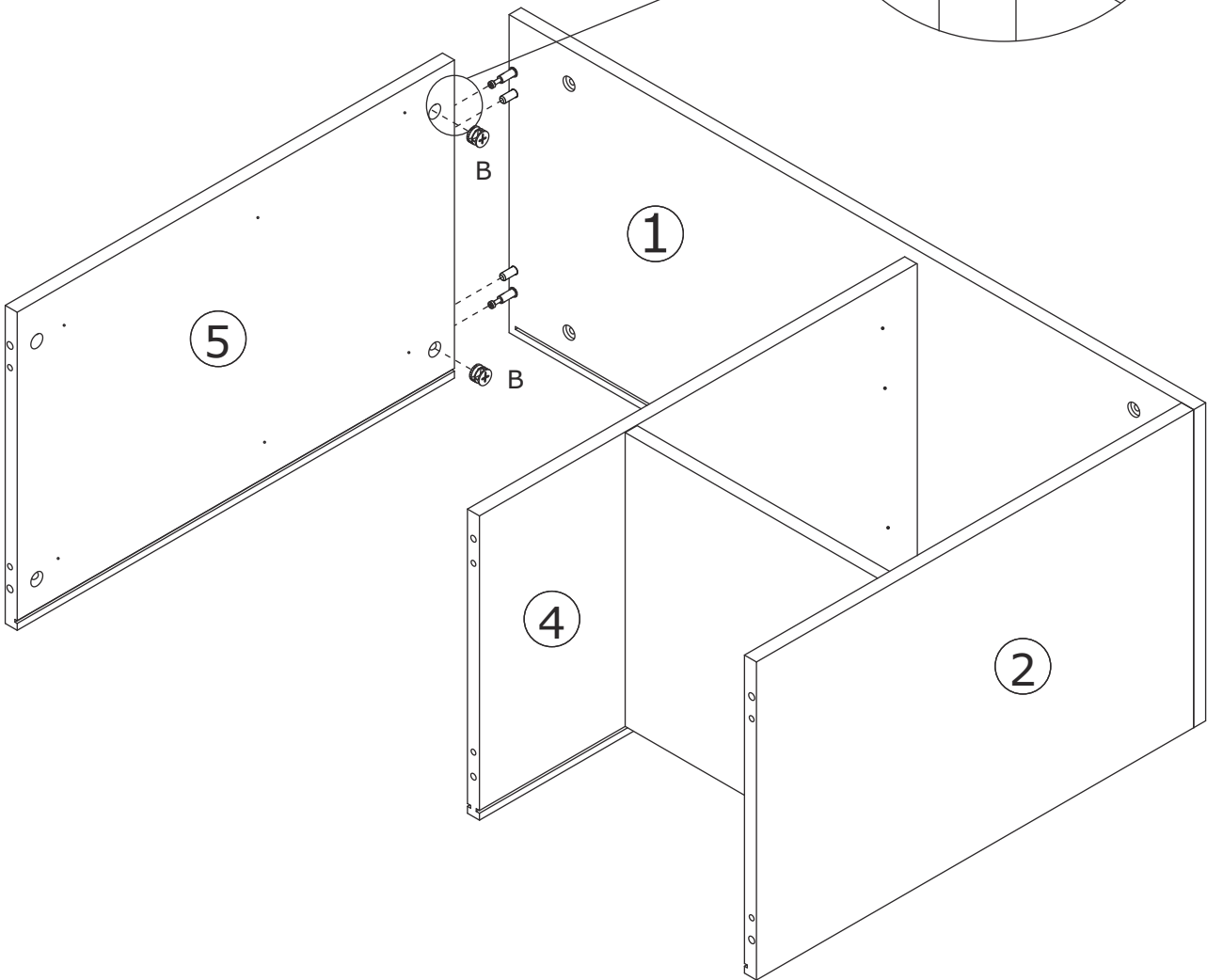
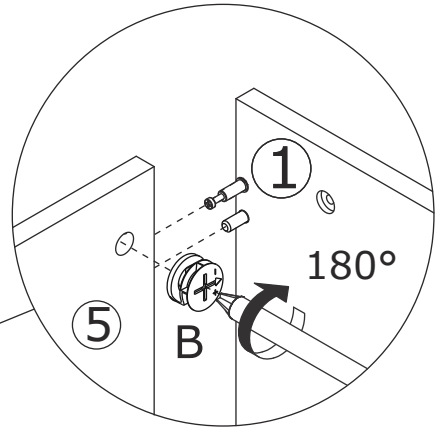


7

B x 2
Ø15 x 11 mm

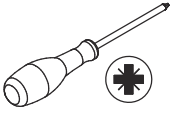


Attach board 5 to board 1, add cam lock(B) into board 5 and turn clockwise to tighten as shown.

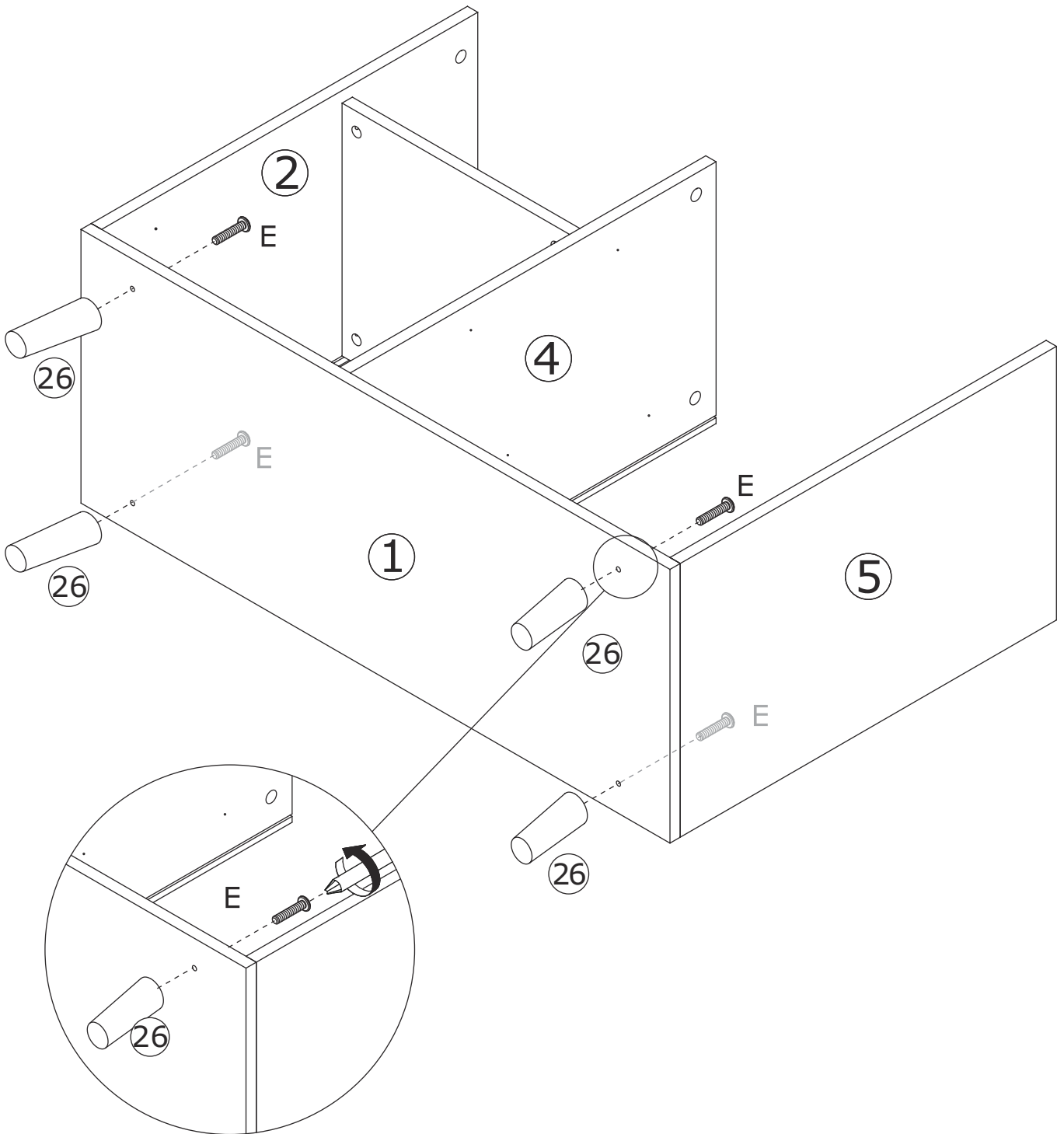


8

E x 4
Ø6 x 20 mm

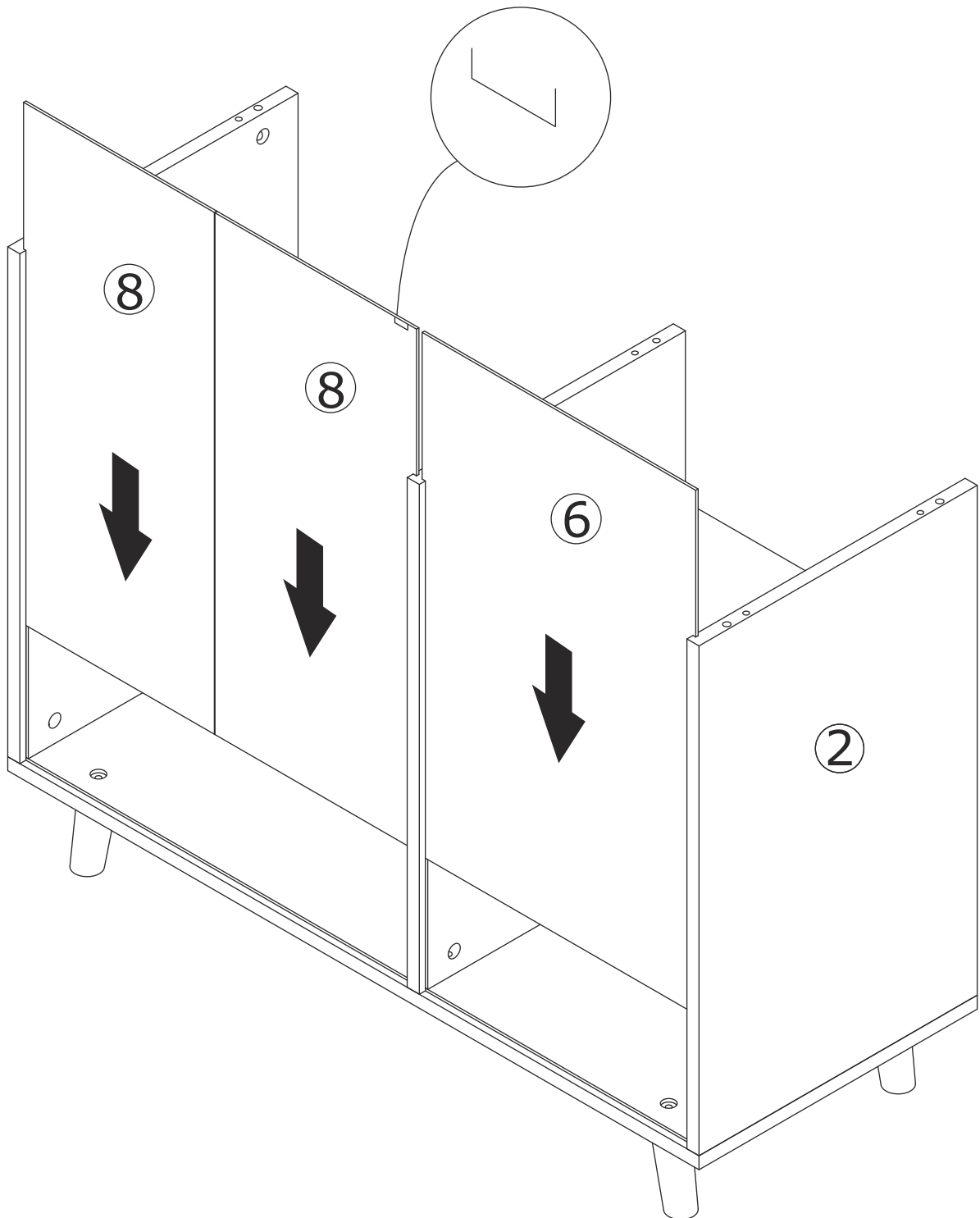


Fix leg 26 to board 1 with screw(E) as shown.

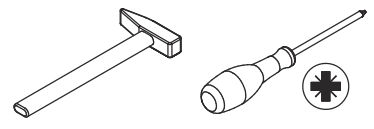
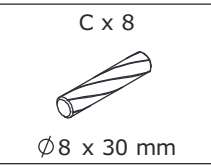
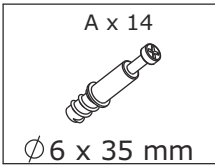


9

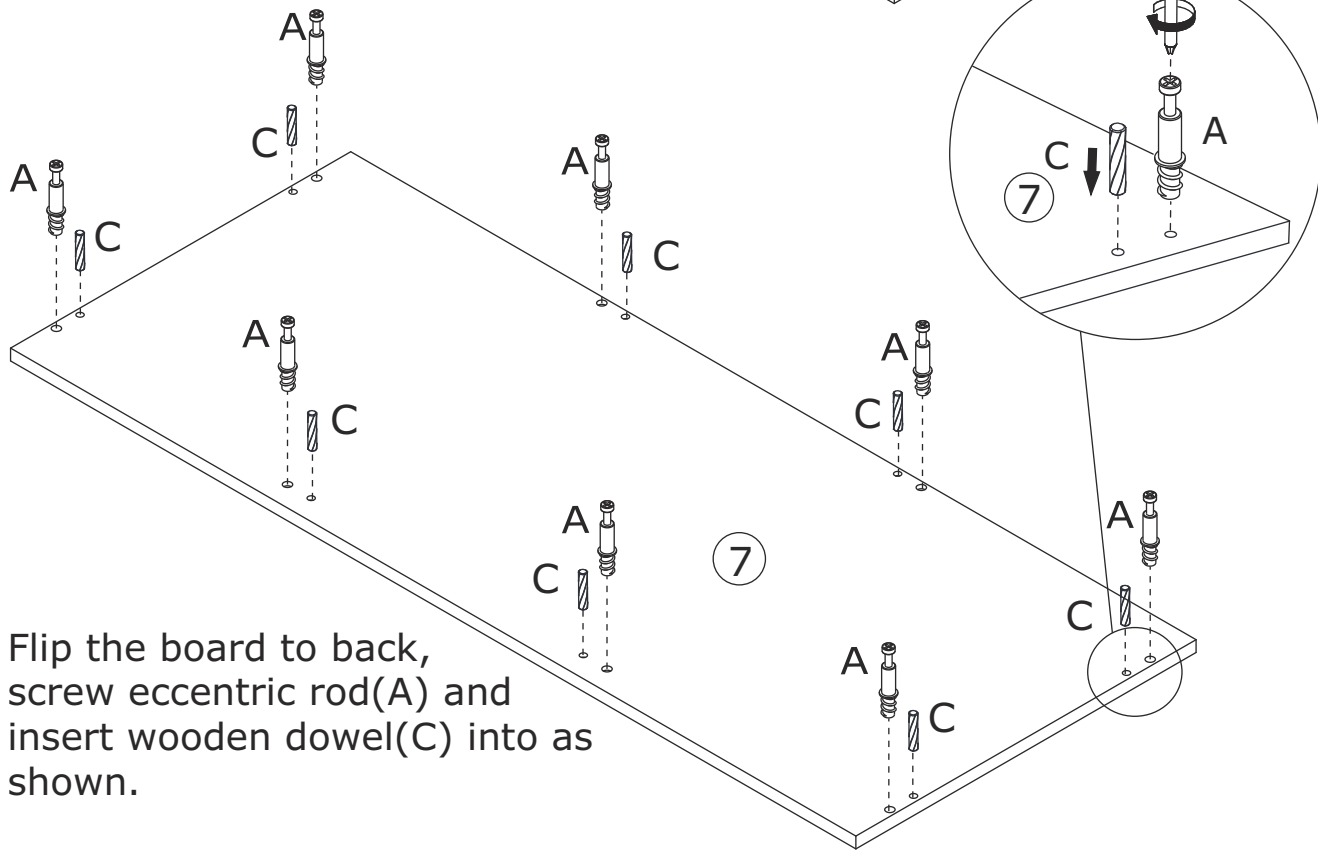
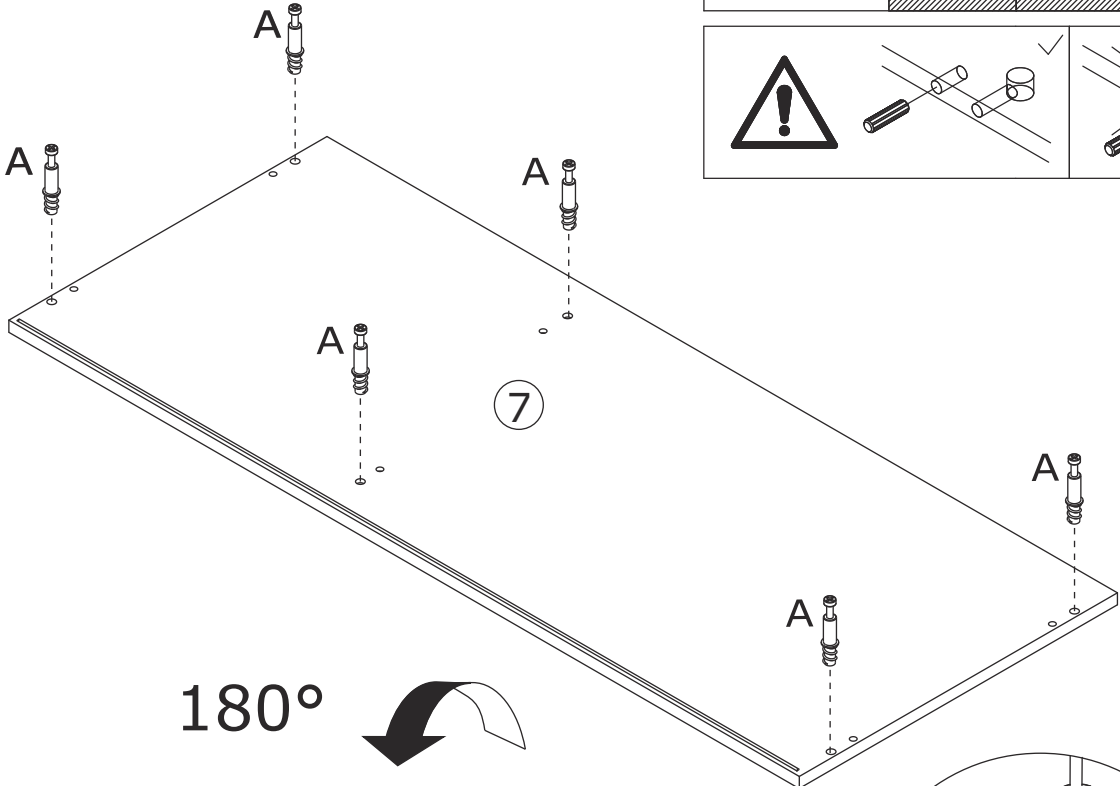
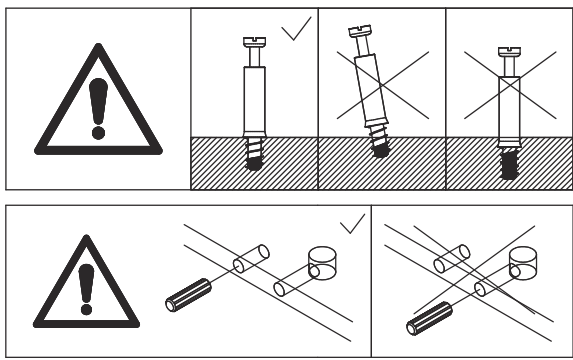
Insert bottom board 6 and 8 along grooves as shown.



10

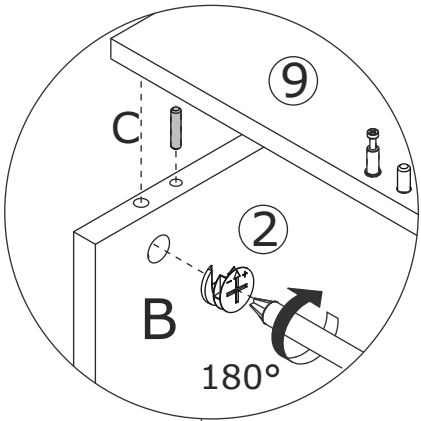
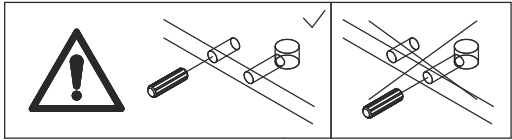
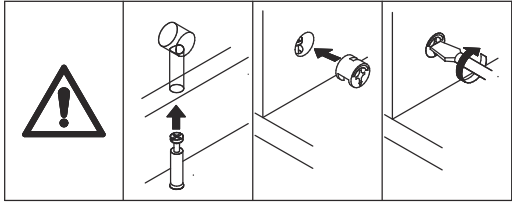
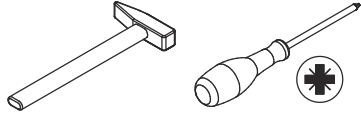
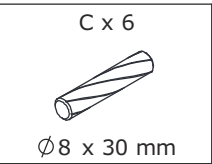
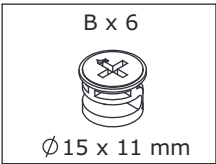


Screw eccentric rod(A) into board 7, fix part(K) as shown.

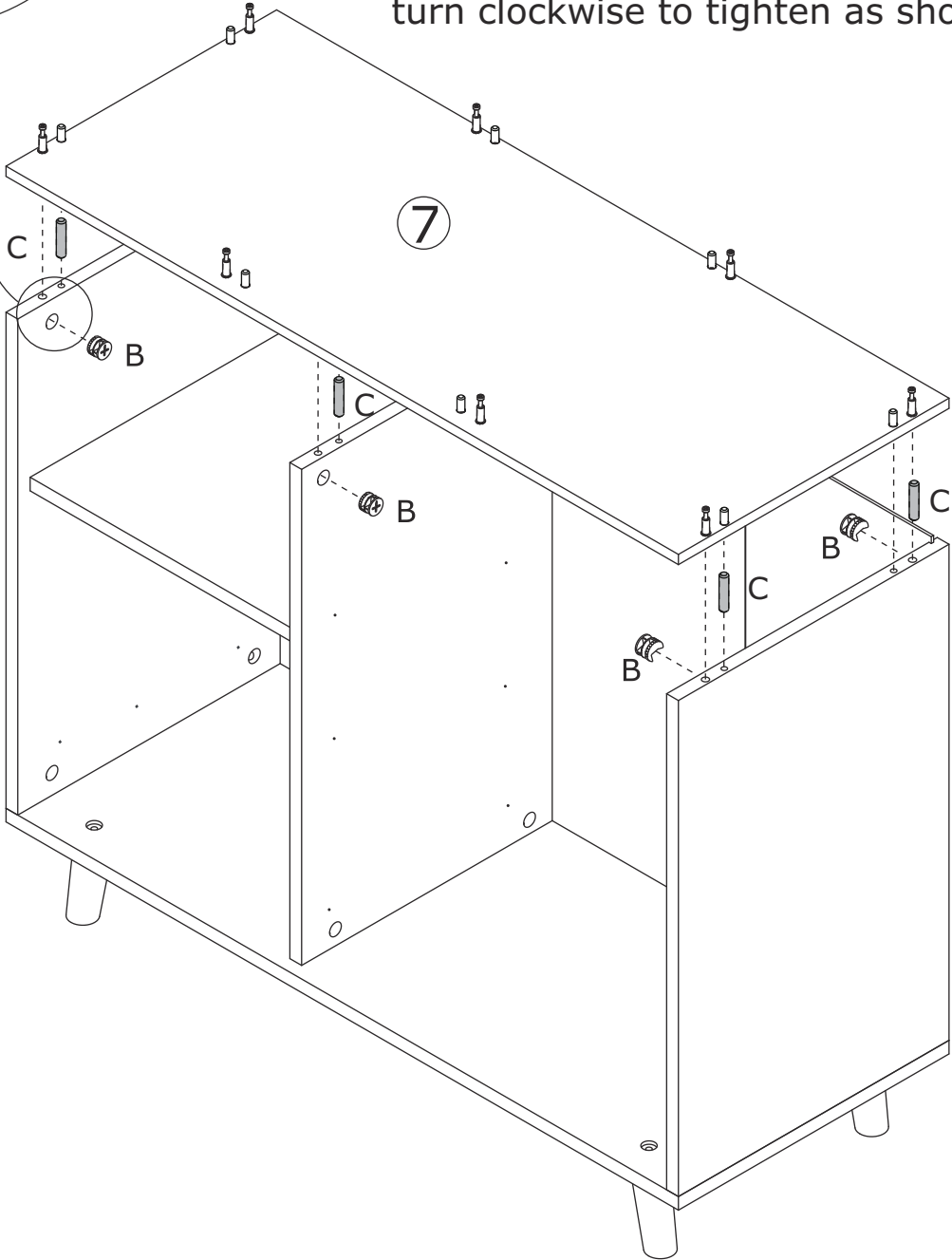


Flip the board to back, screw eccentric rod(A) and insert wooden dowel(C) into as shown.

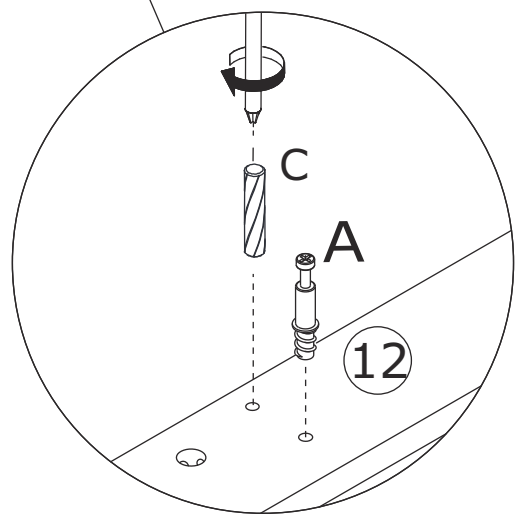
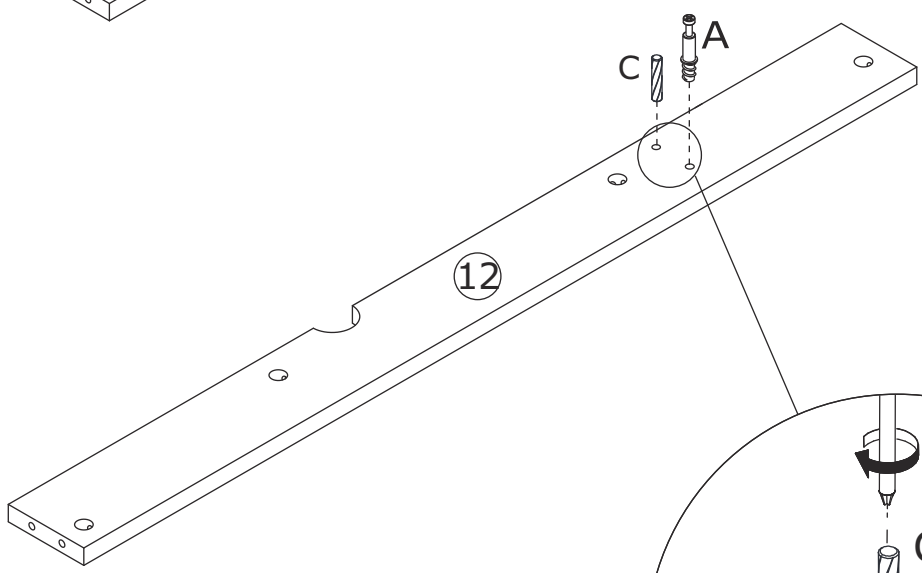
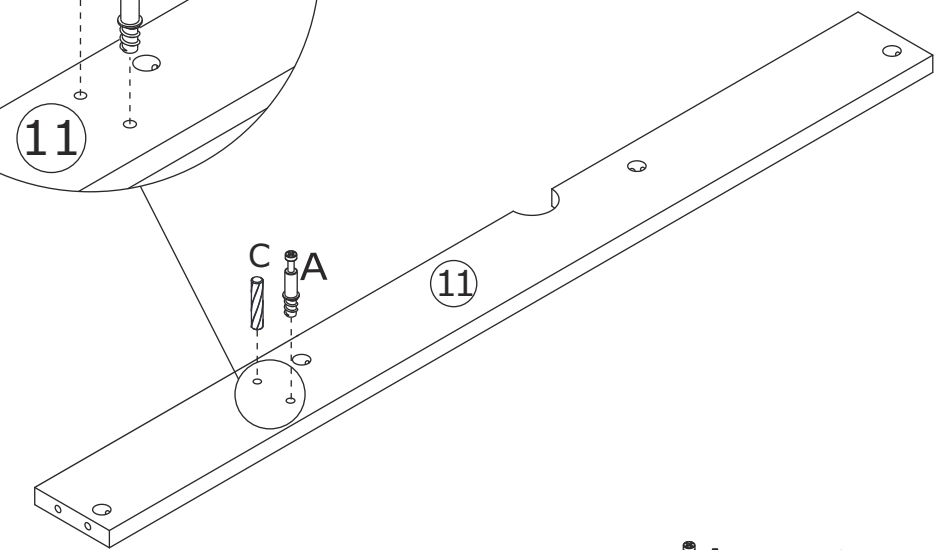
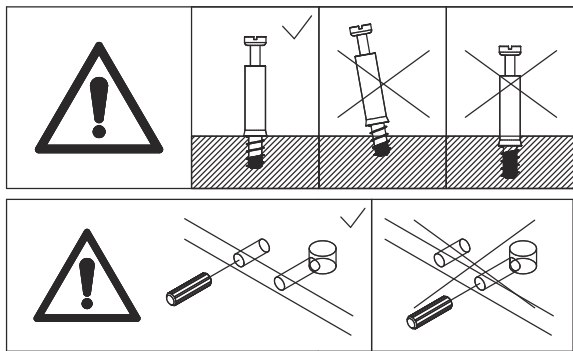
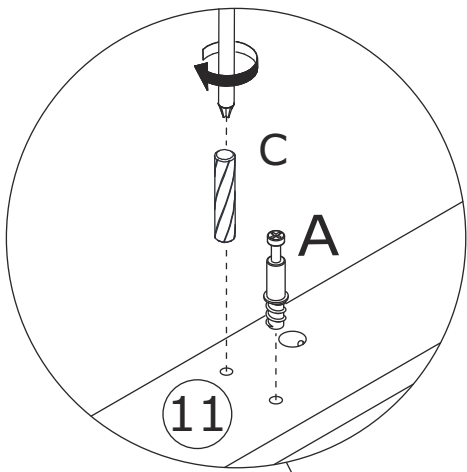
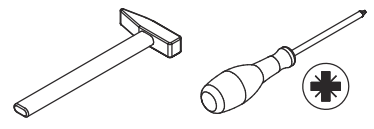
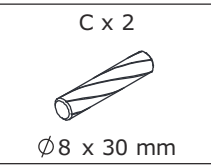
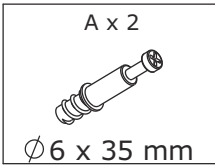
11



Attach board 7 to the top using wooden dowel(C), add cam lock(B) into board 2,4,5 and turn clockwise to tighten as shown.



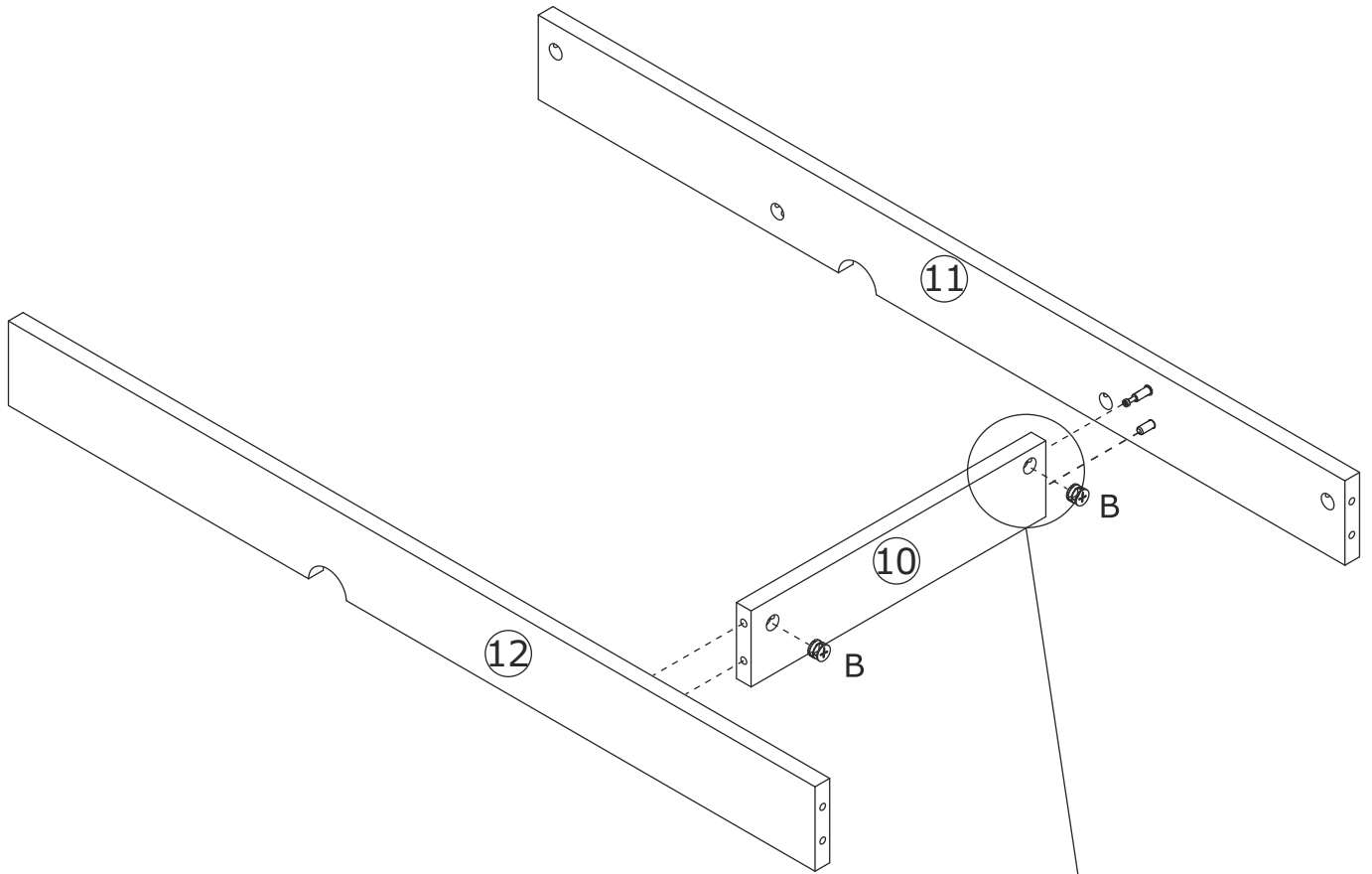
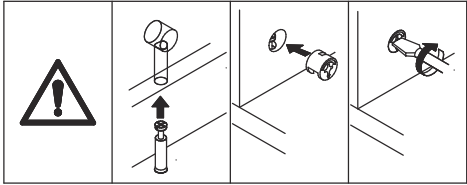
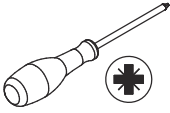
12



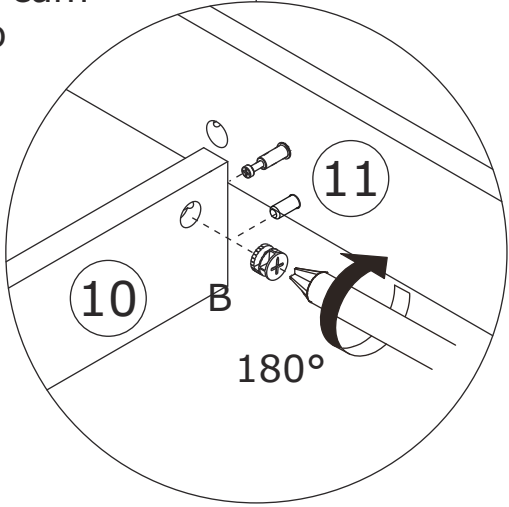
Screw eccentric rod(A) and insert wooden dowel(C) into board 11 and 12 as shown.

13

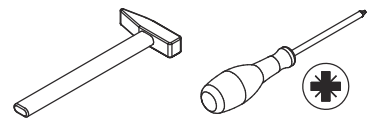
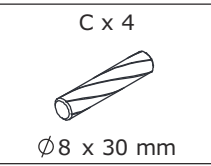
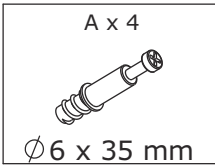
B x 2
Ø15 x 11 mm



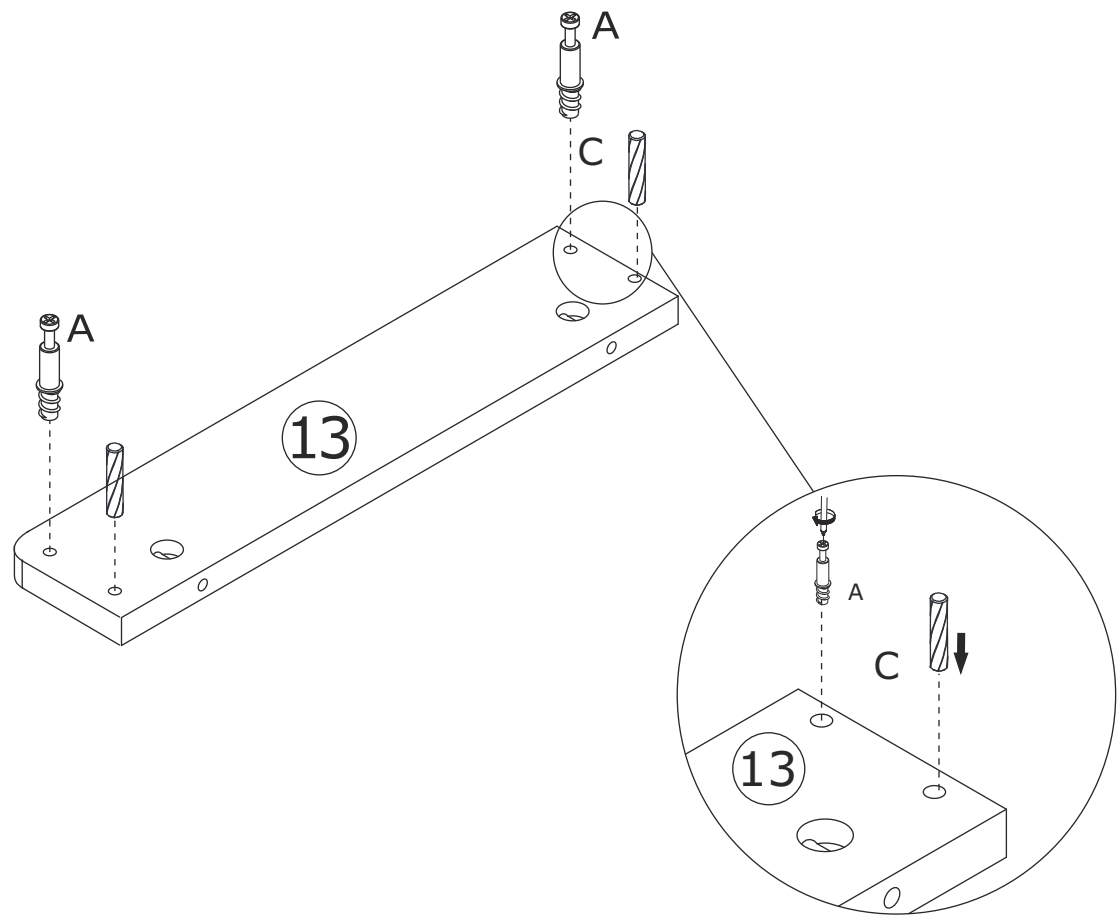
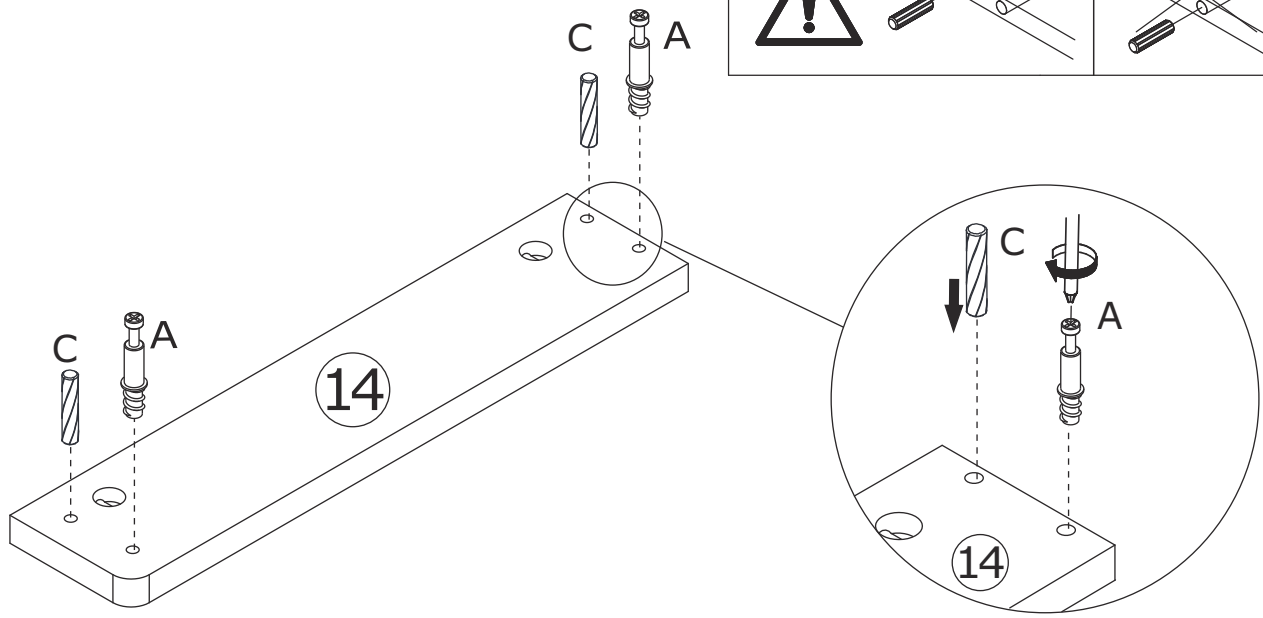
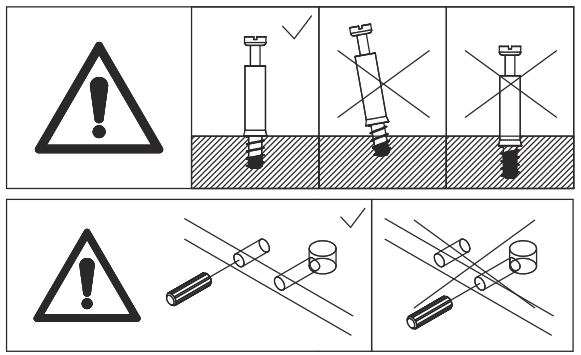
Connect board 10 to board 11 and 12, add cam lock(B) into board 10 and turn clockwise to tighten as shown.



14

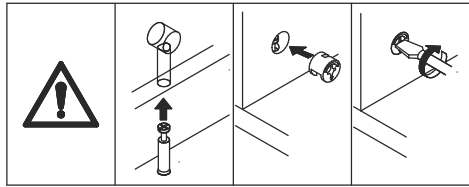
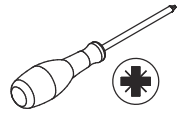


Screw eccentric rod(A) and insert wooden dowel(C) into board 13 and 14 as shown.

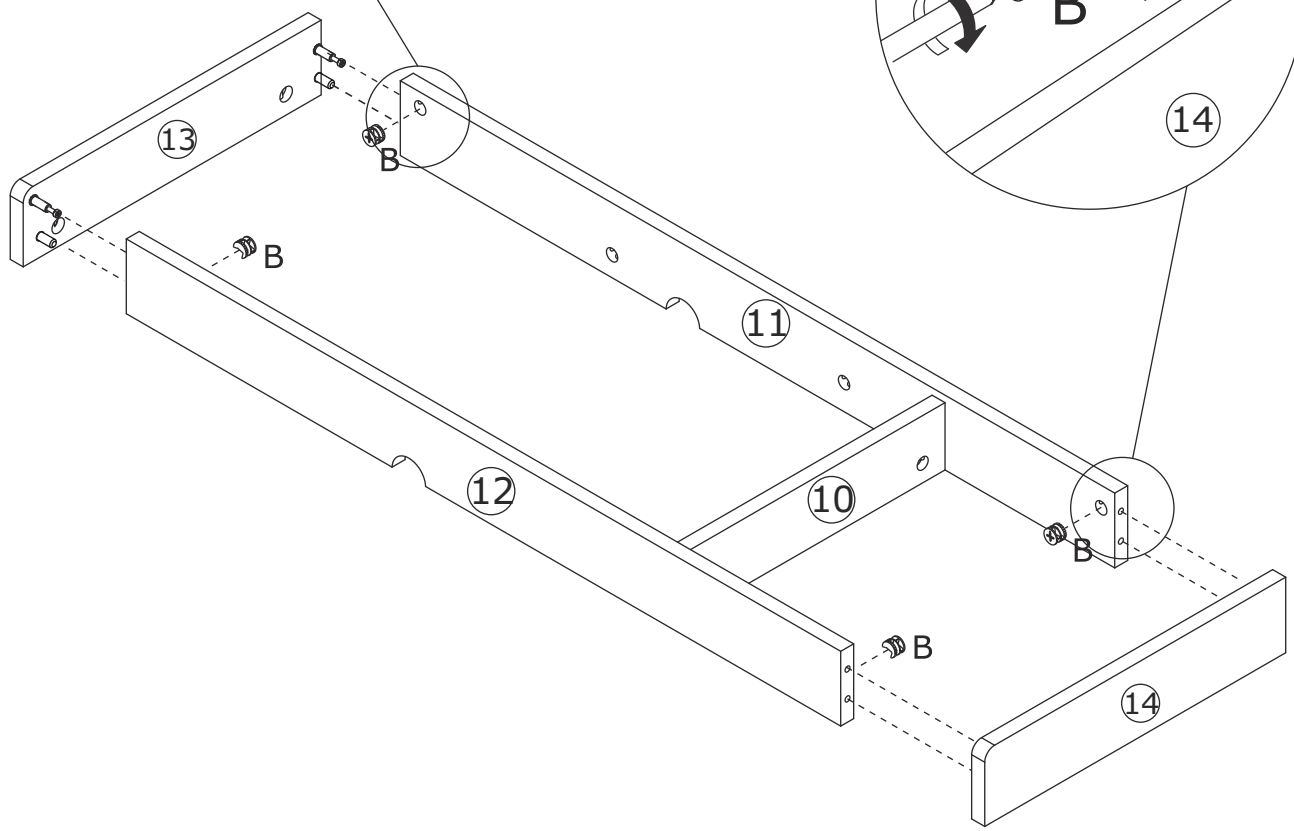
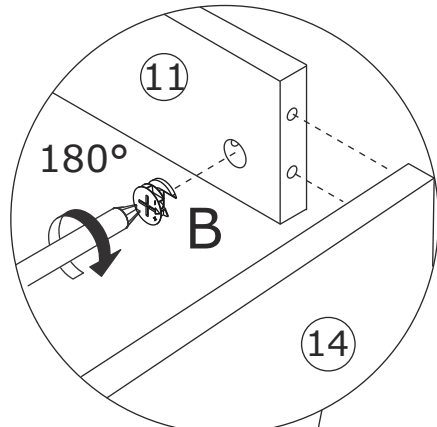
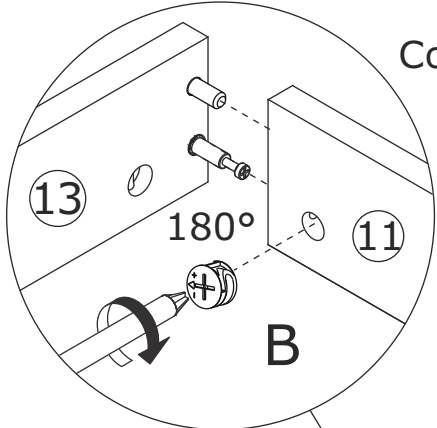


15

B x 4
Ø15 x 11 mm

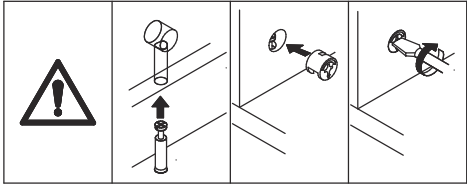
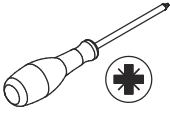


Connect board 13 and 14 to board 11 and 12, add cam lock(B) into board 11,12 and turn clockwise to tighten as shown.

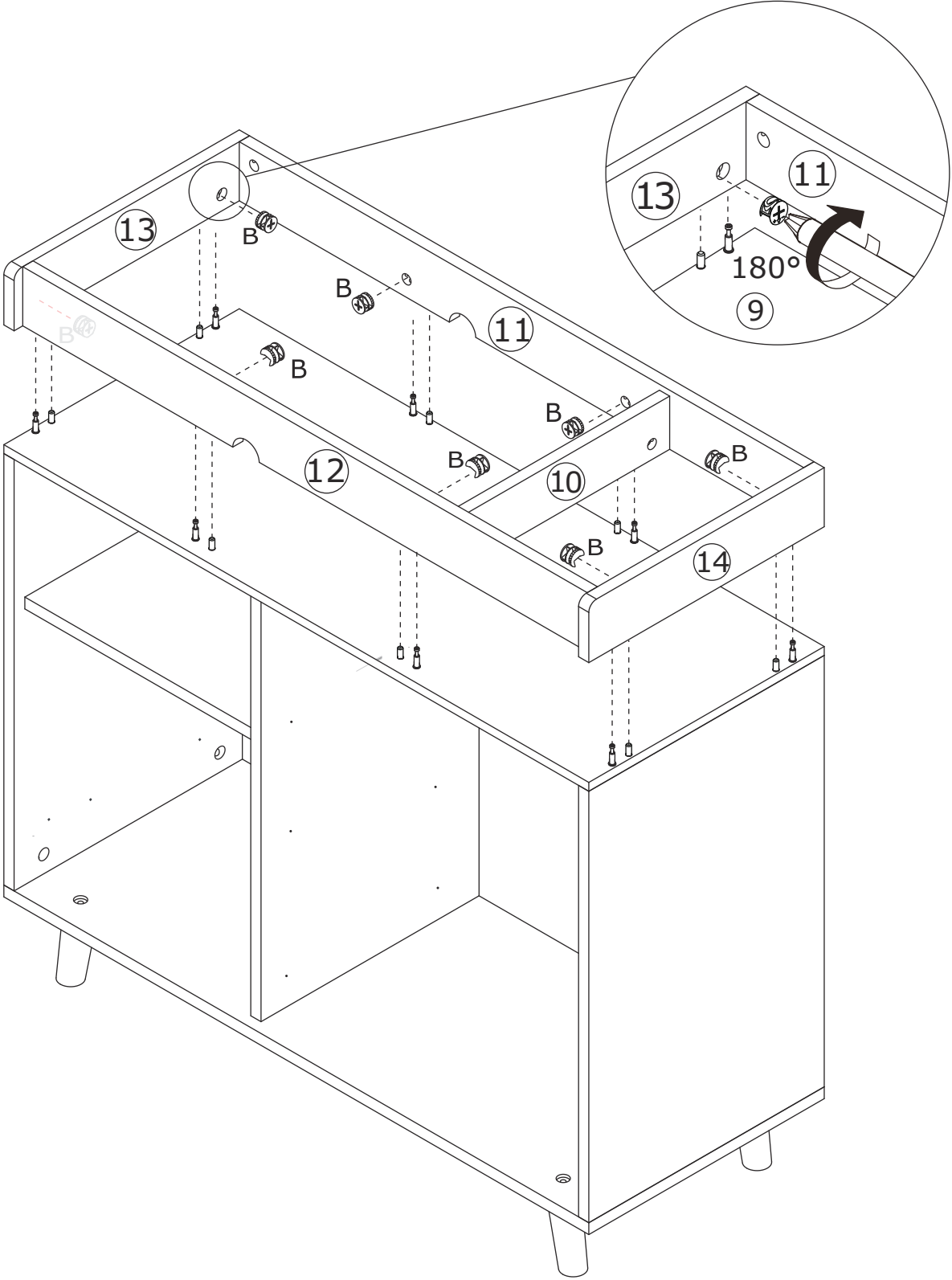


16

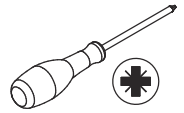
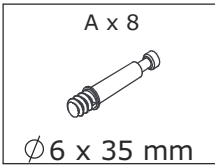
B x 8
Ø15 x 11 mm



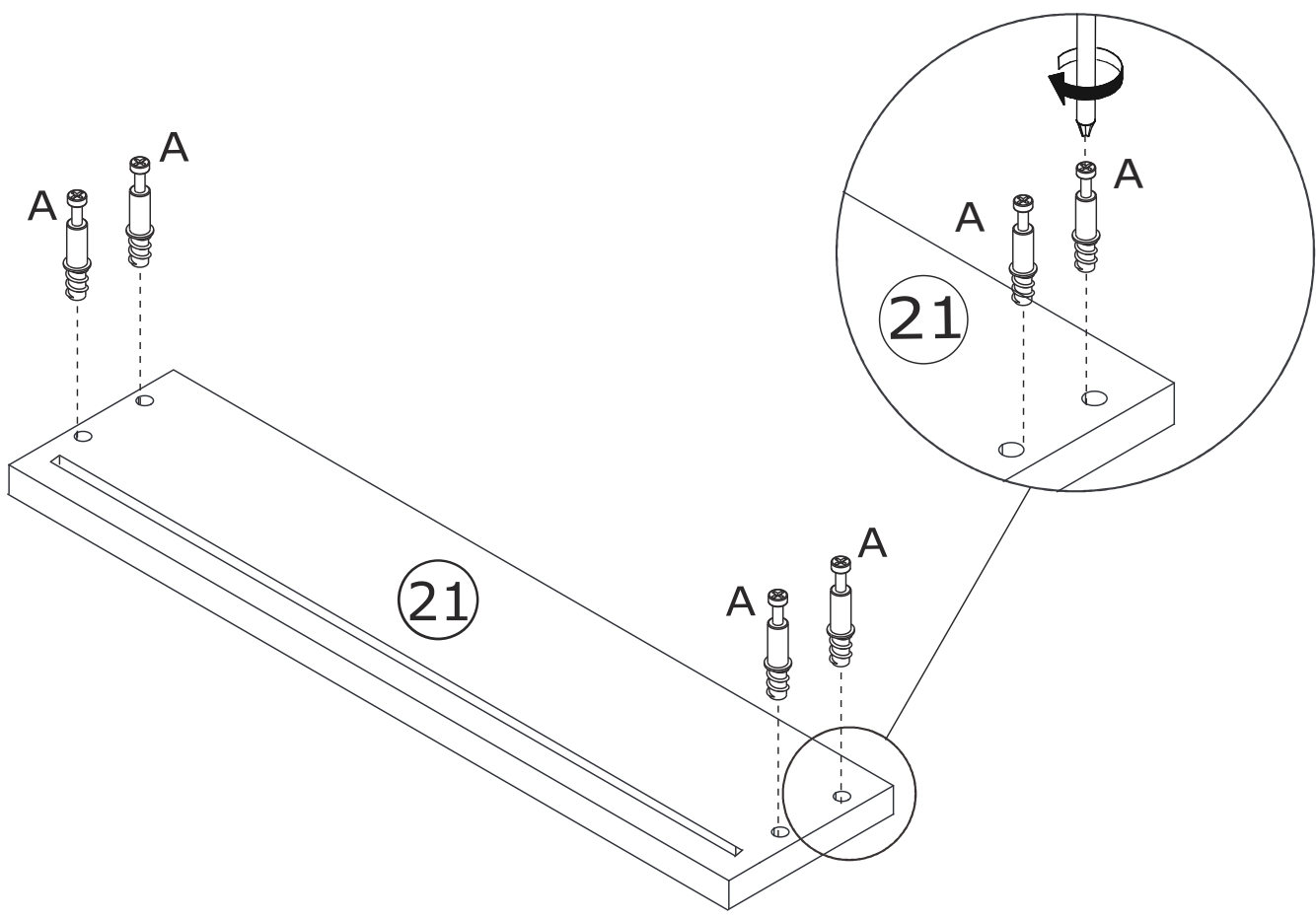
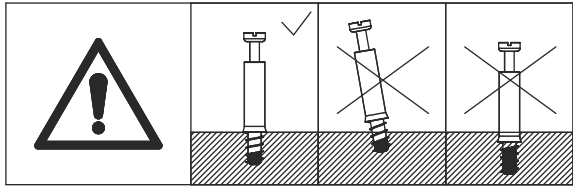
Attach the part to board 7, add cam lock(B) into and turn clockwise to tighten as shown.



17



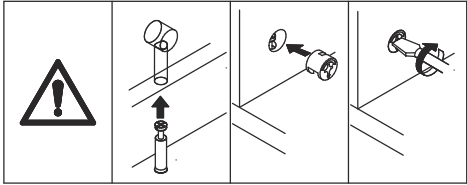
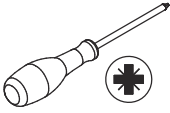
Screw eccentric rod(A) into board 21 as shown.
Flip the board to back, fix runner(H) with screw(D) as shown.



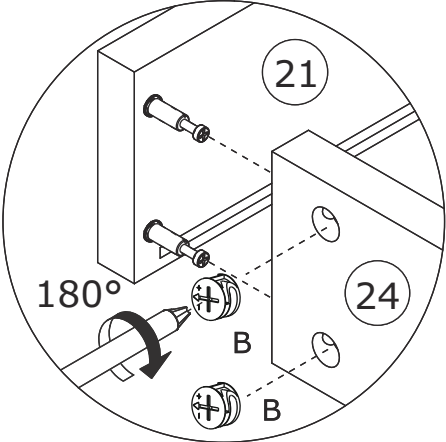
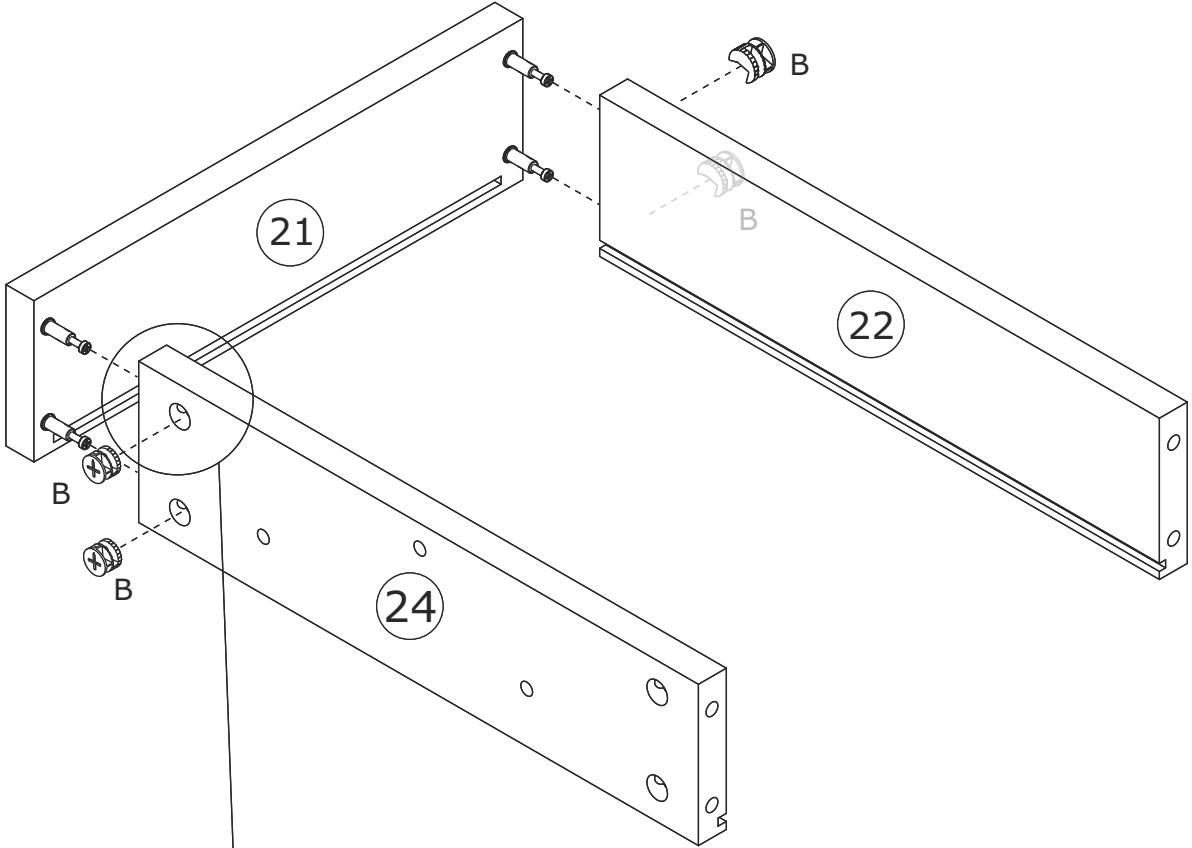
X2

18

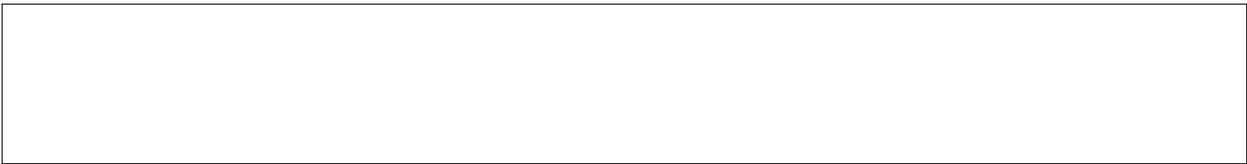
B x 4
Ø15 x 11 mm



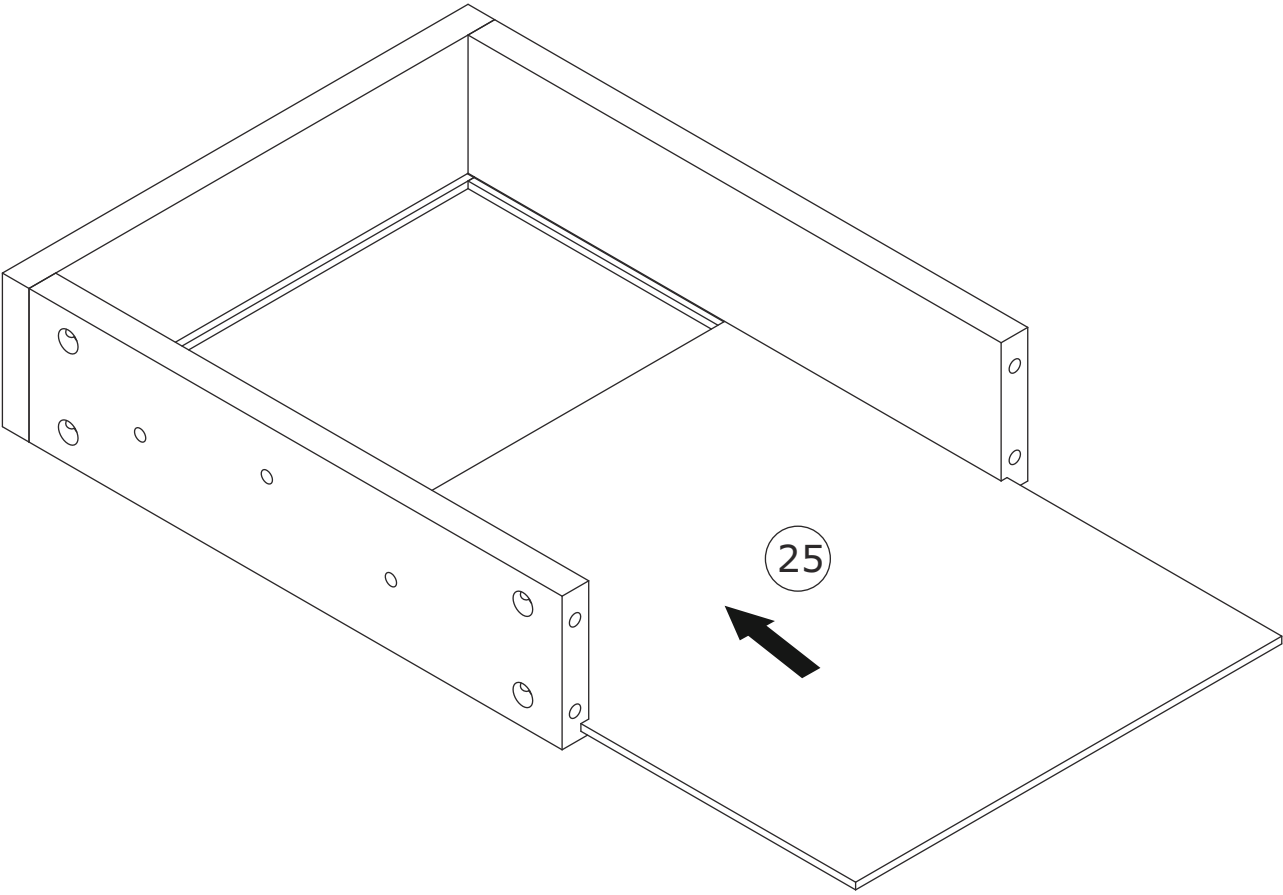
Attach board 22 and 24 to board 21, add cam lock(B) into and turn clockwise to tighten as shown.



19

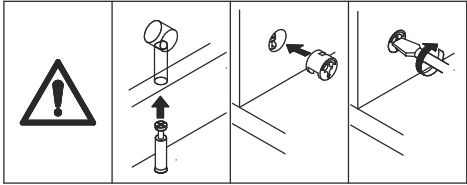
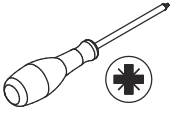


Insert bottom board 25 along grooves as shown.

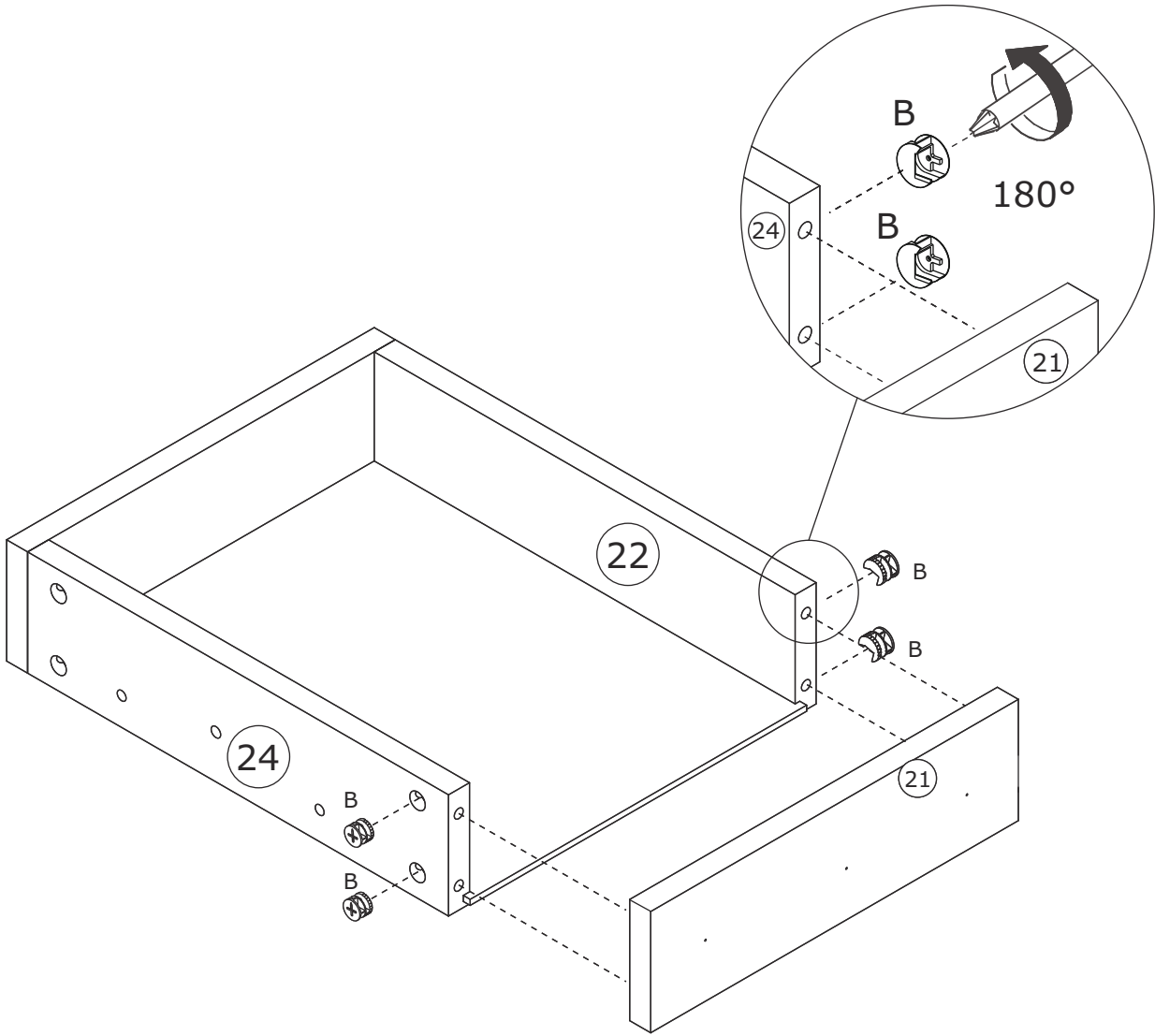


20

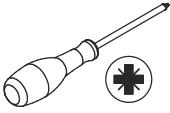
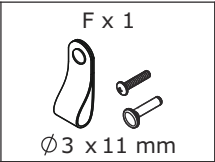
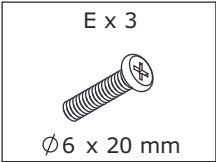
B x 4
Ø15 x 11 mm



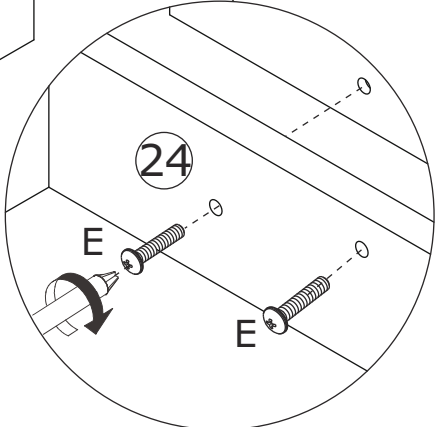
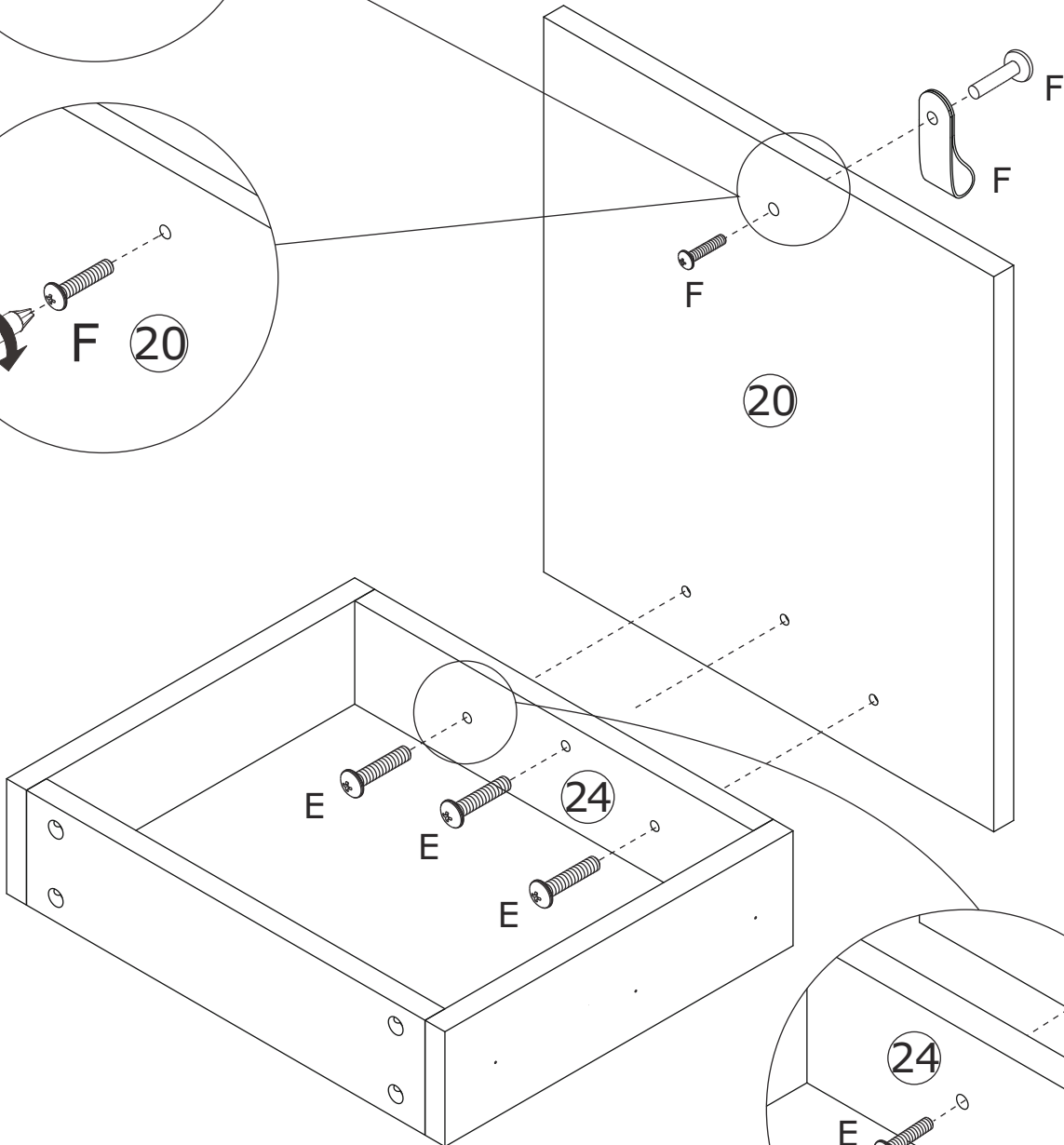
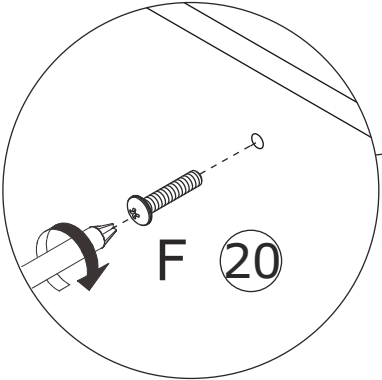
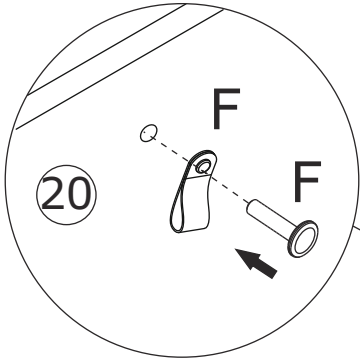
Attach board 21 to board 22 and 24, add cam lock(B) into and turn clockwise to tighten as shown.



21



Fix board 20 to board 24 with screw(E) as shown.
Fix knob(F) to board 20 as shown.



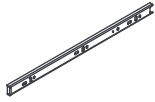
22

D x 6

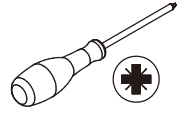


Ø 3x12 mm

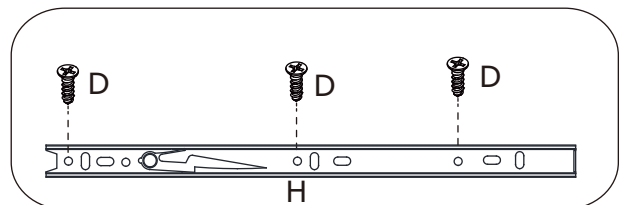
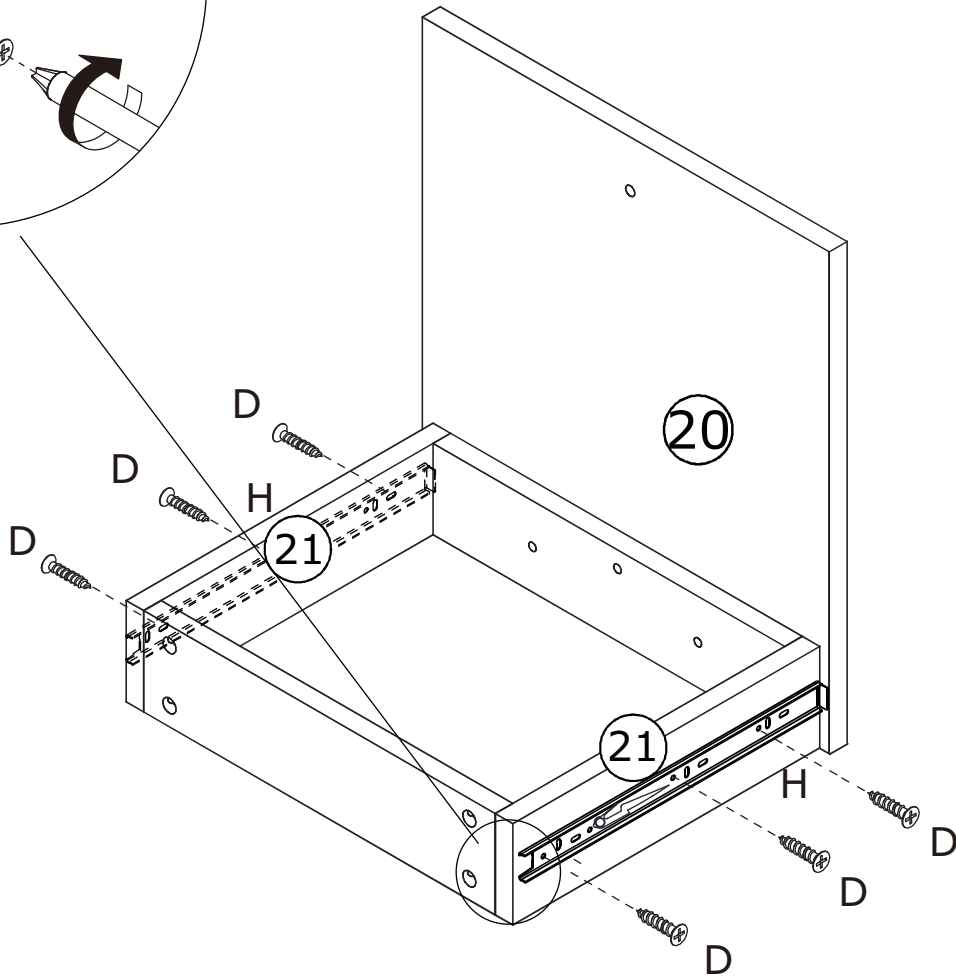
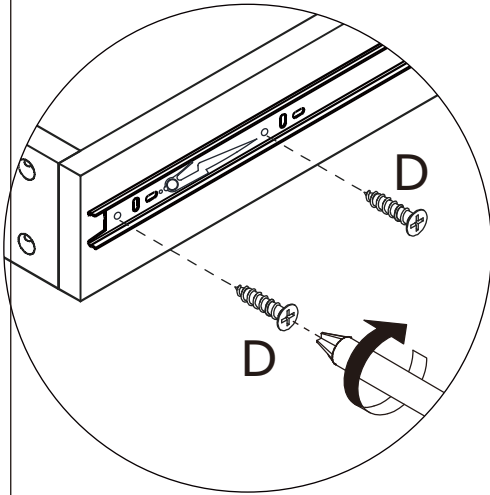
H x 2



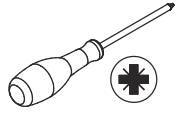
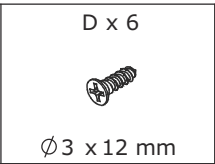
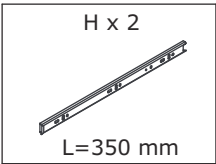
L=350 mm



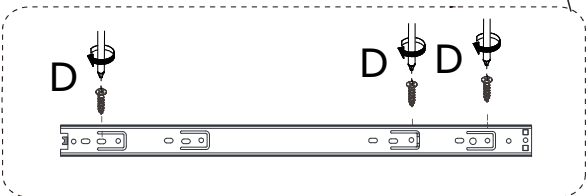
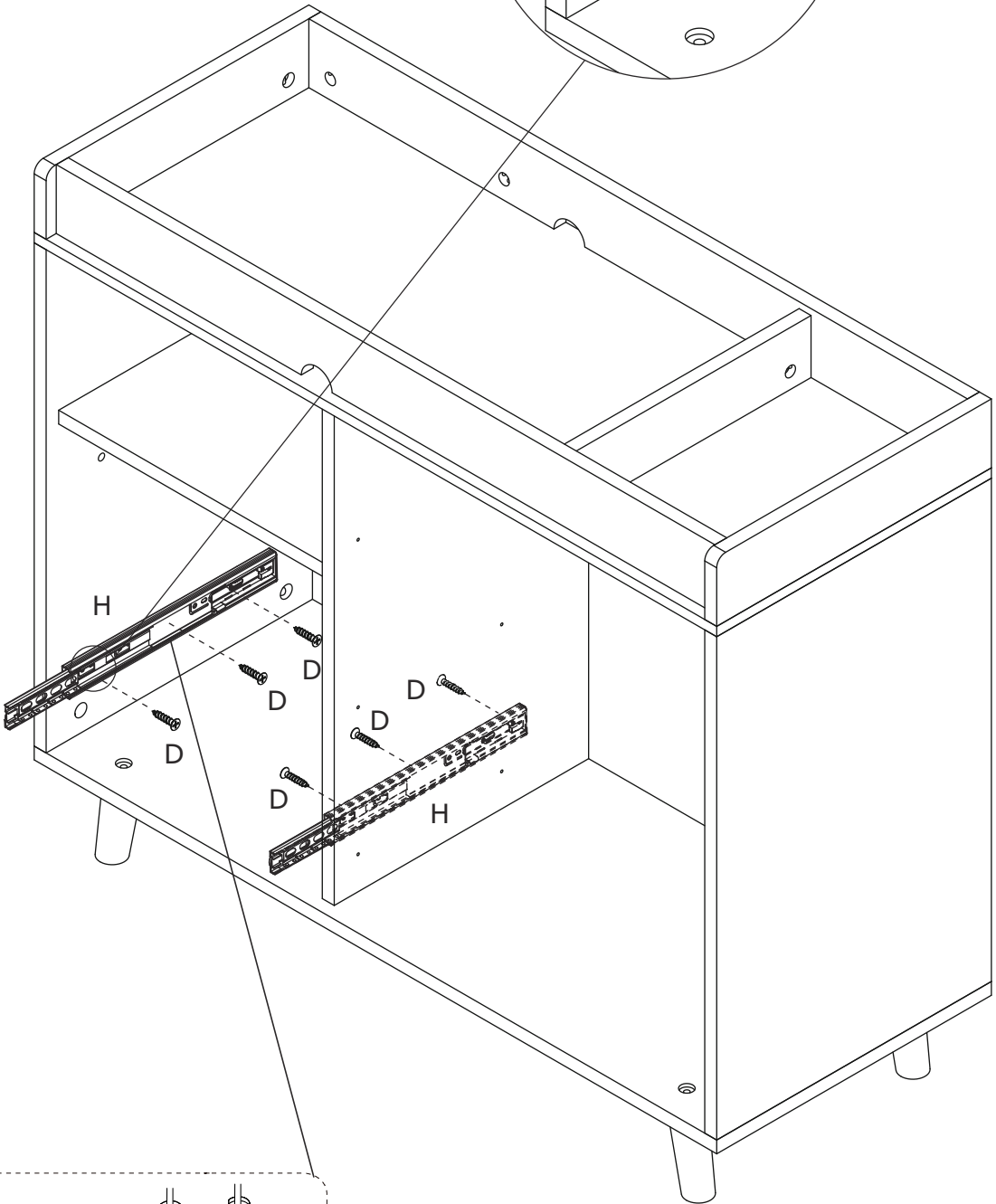
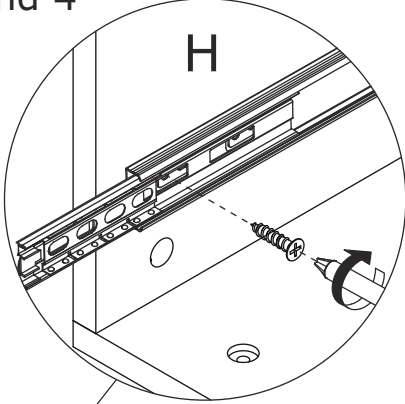
Fix runner(J) to board 21 and 21 respectively with screw(D) as shown.



23



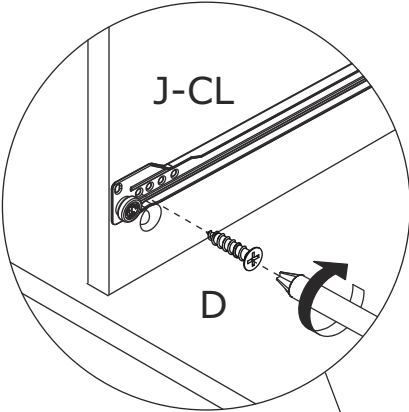
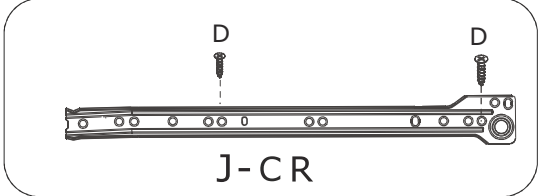
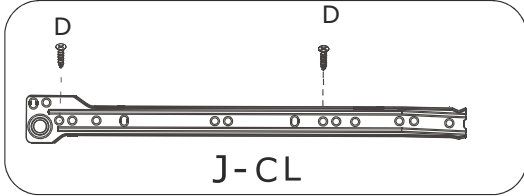
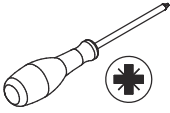
Fix slide rail(H) to bottom of board 2 and 4 with screw(D) as shown.



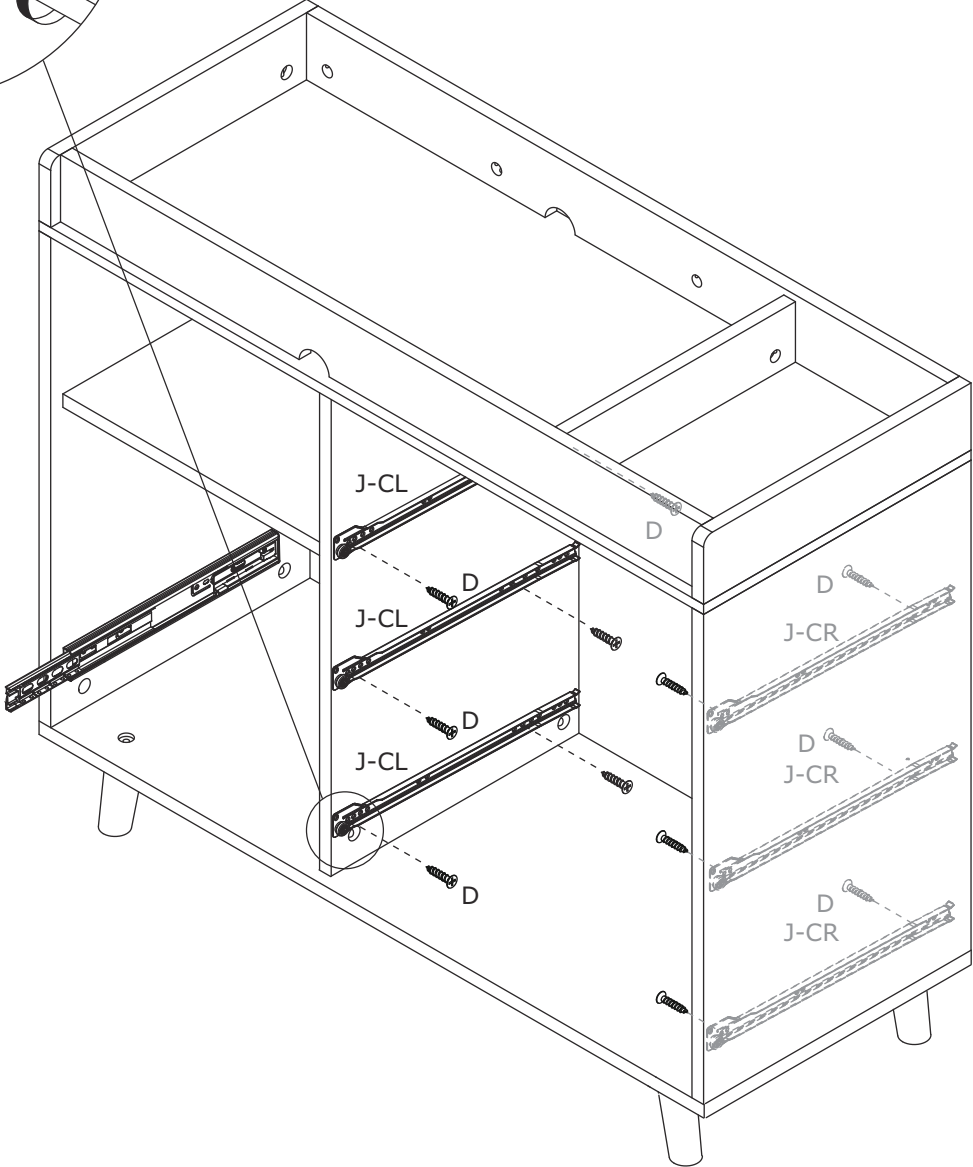
24

J x 3
CL CR
L=350 mm

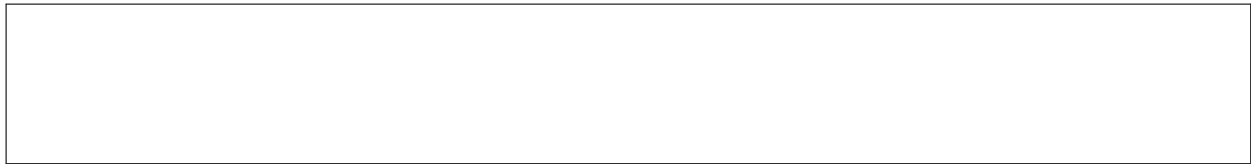
D x 12
Ø3 x 12 mm



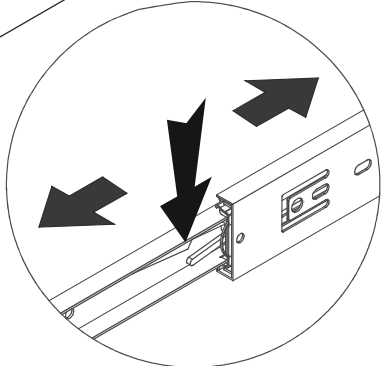
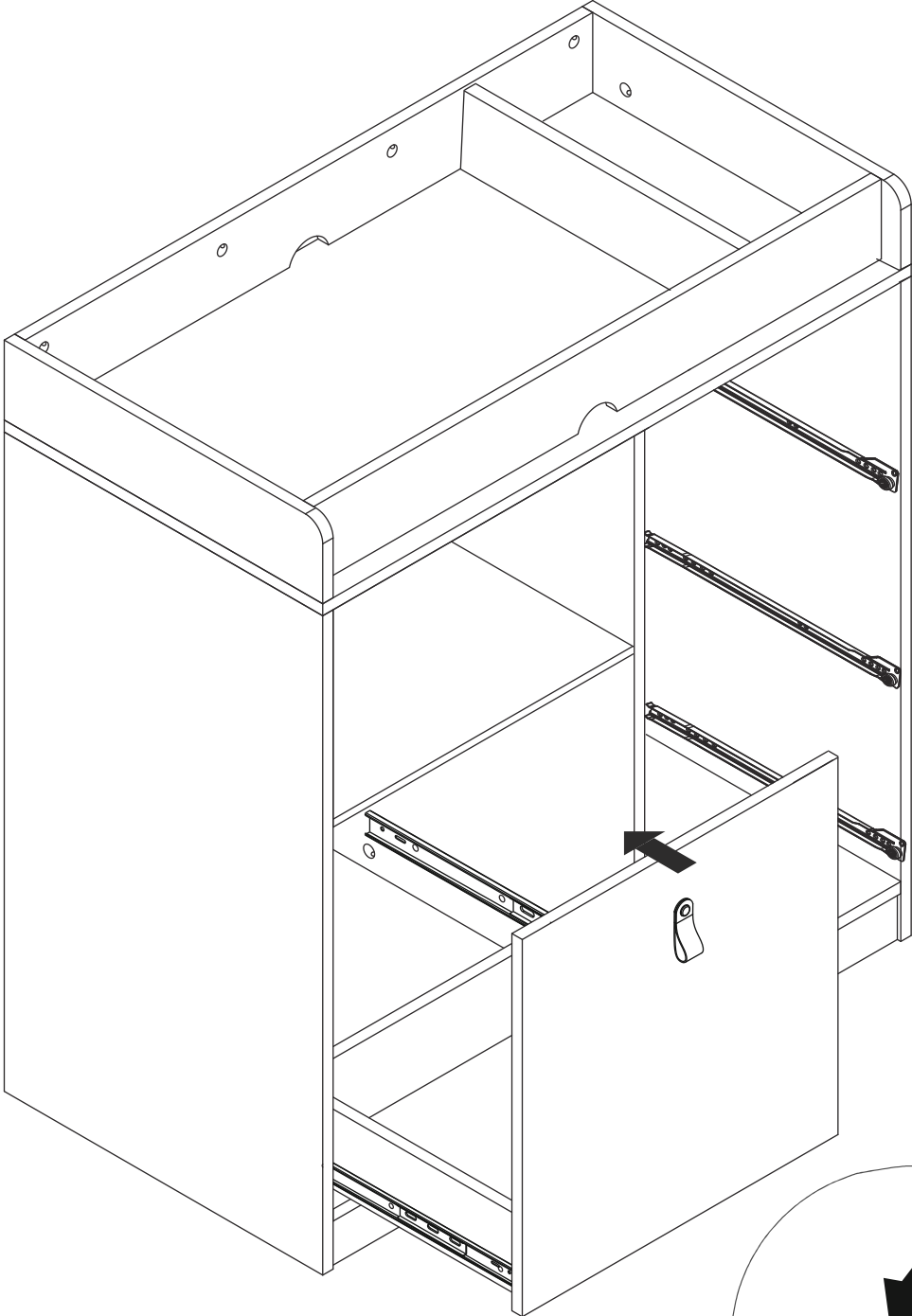
Fix slide rail(J-CL) and (J-CR) to board 4 and 5 respectively with screw(D) as shown.



25

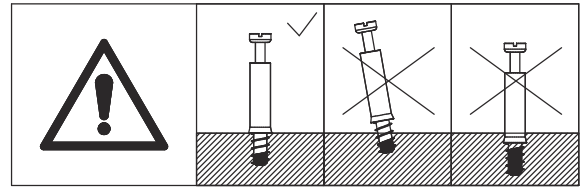
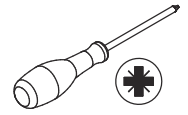


Align rails, insert the drawer in.

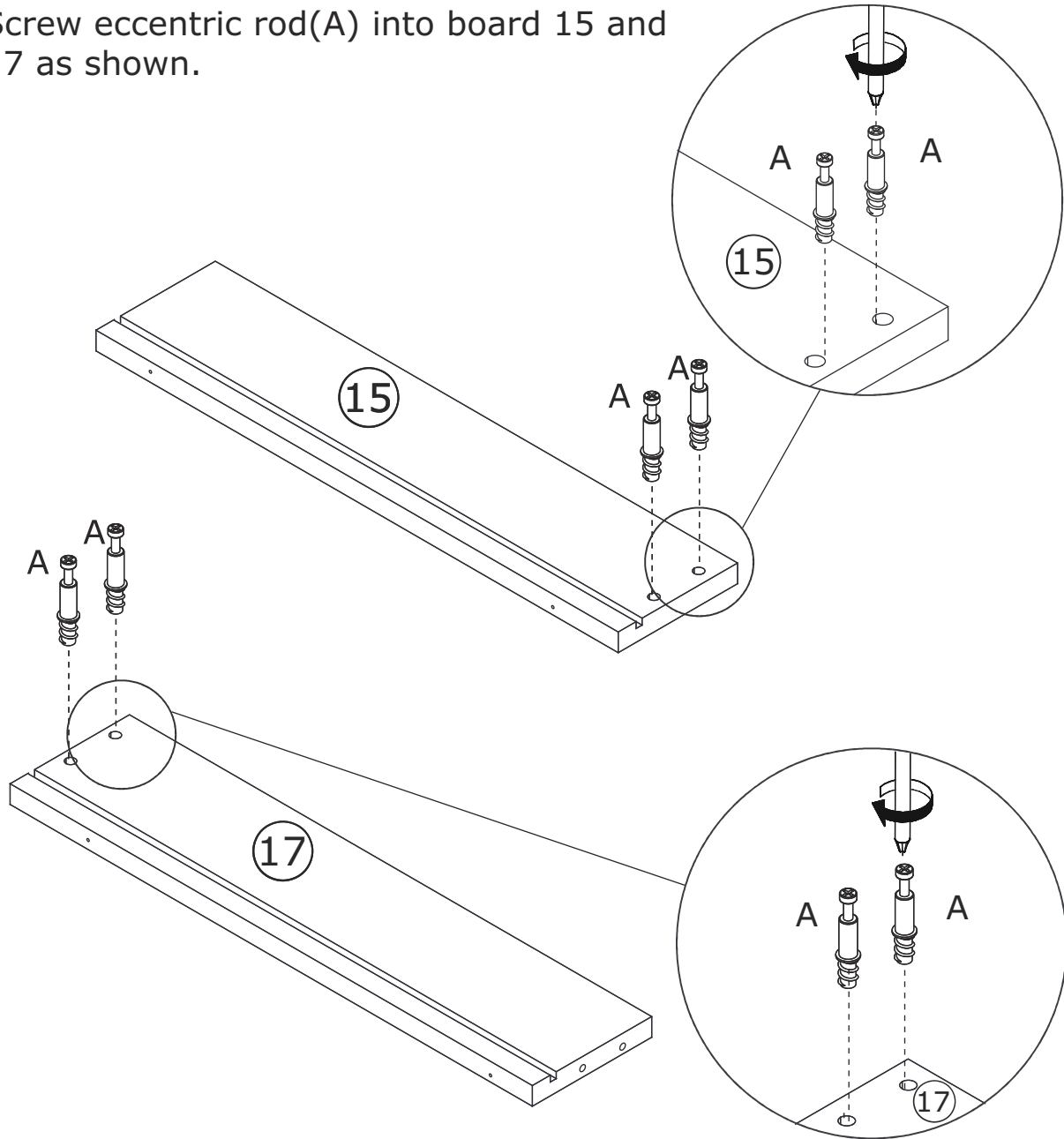


26

A x 12
Ø 6 x 35 mm



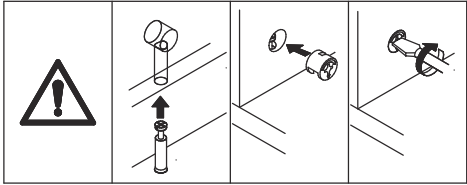
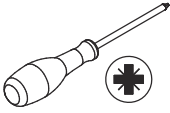
Screw eccentric rod(A) into board 15 and 17 as shown.



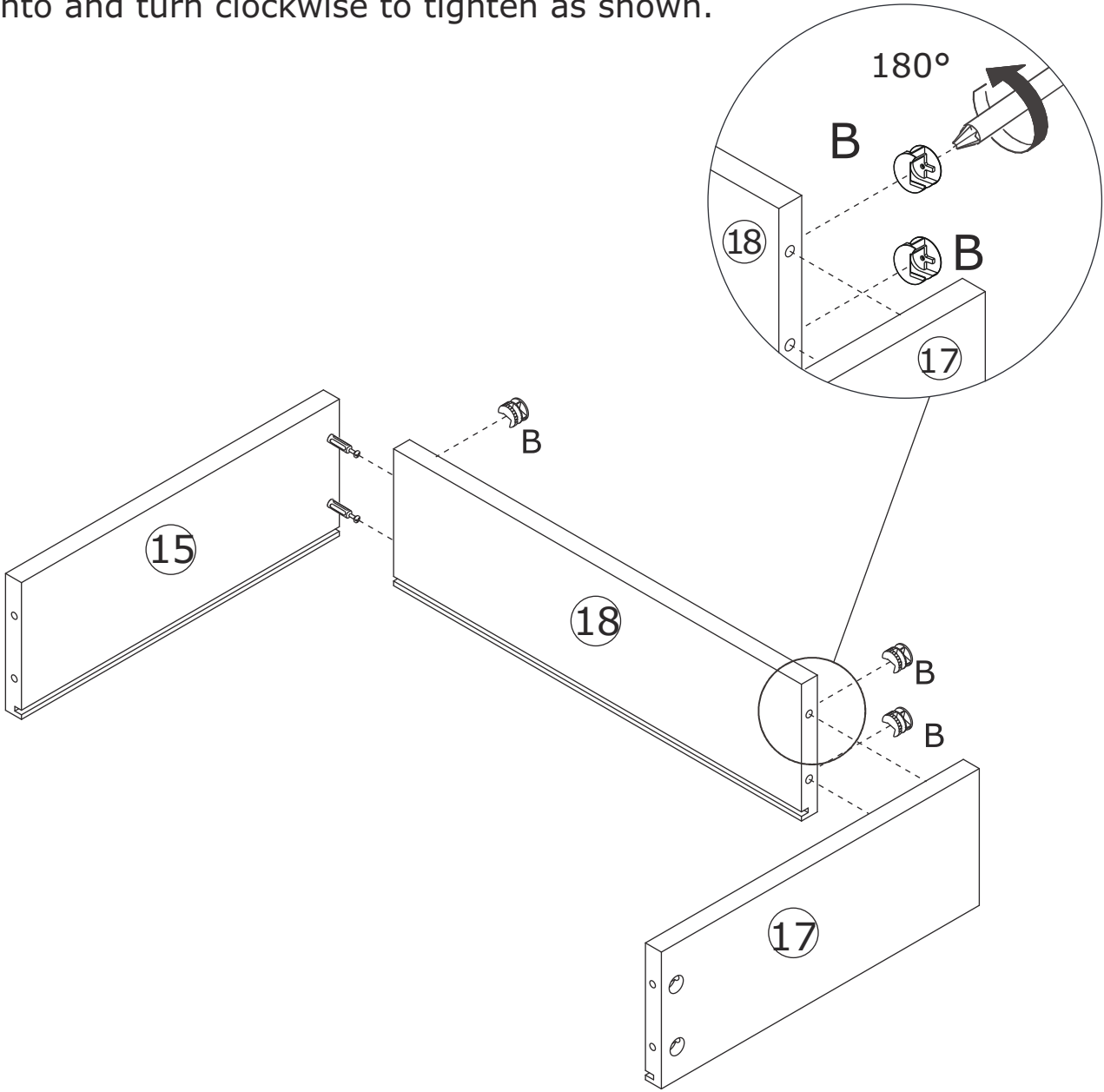
x3

27

B x 12
Ø15 x 11 mm



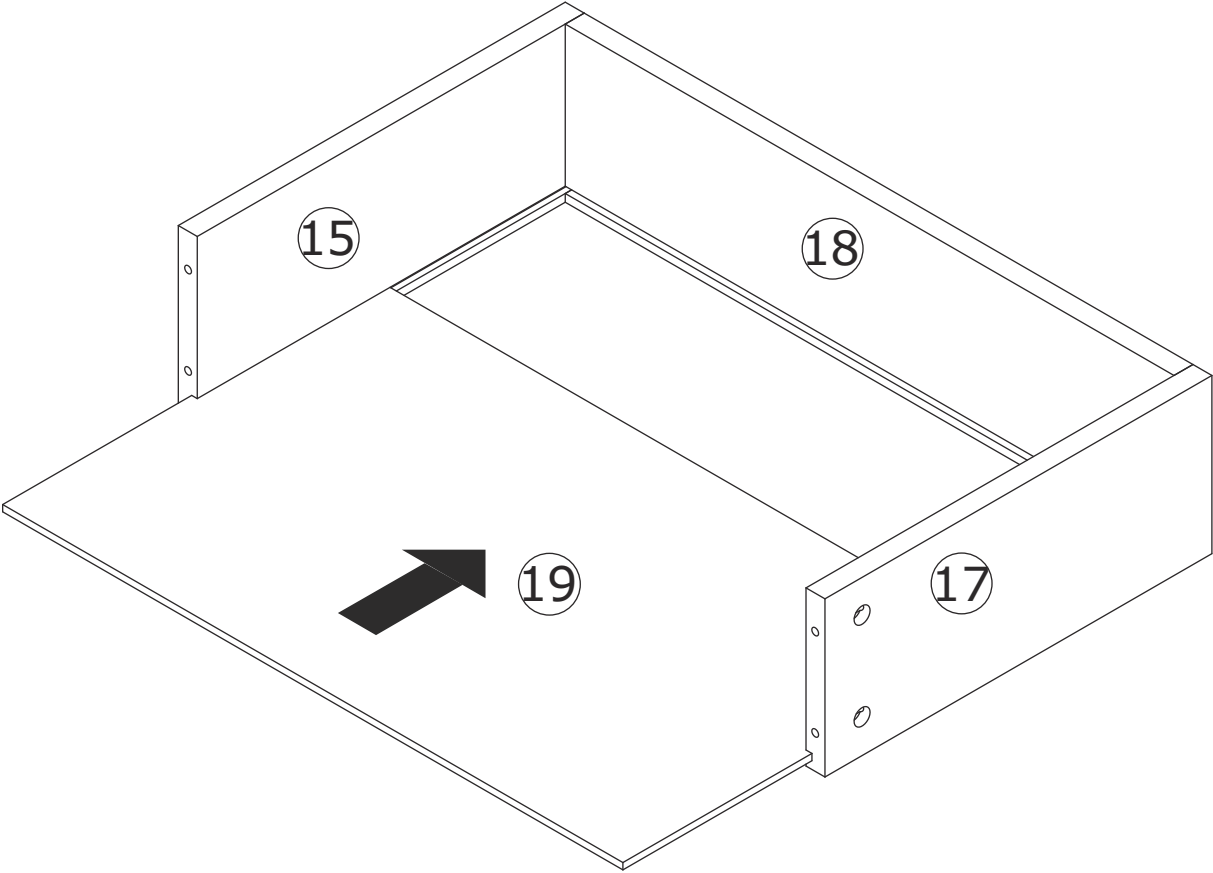
Attach board 18 to board 15 and 17, add cam lock(B) into and turn clockwise to tighten as shown.



x3

28

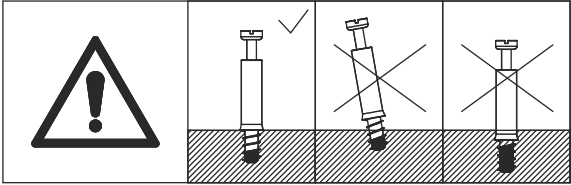
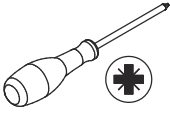
Insert bottom board 19 along grooves as shown.



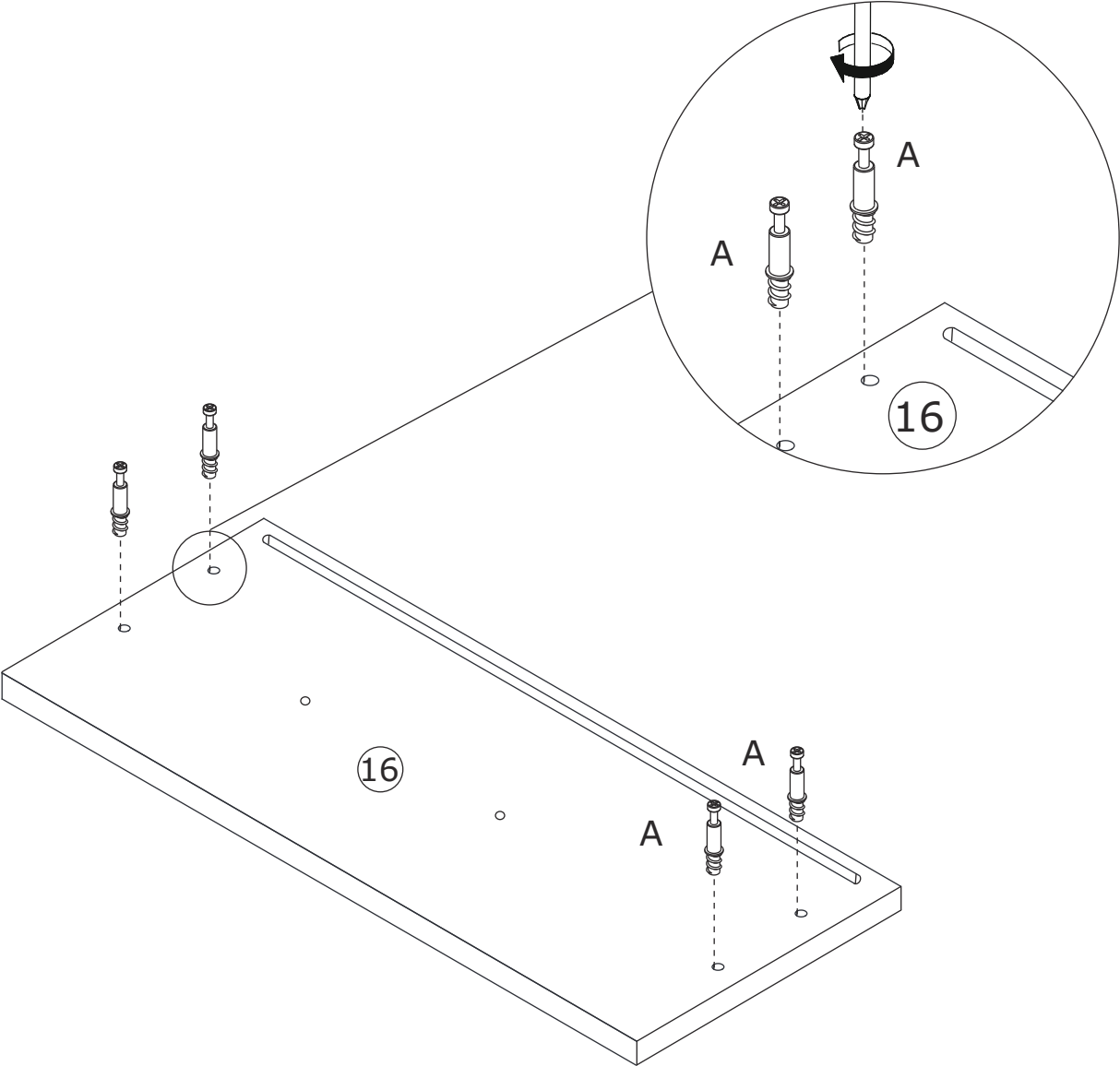
x 3

29

A x 12
Ø6 x 35 mm



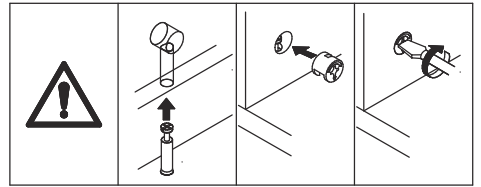
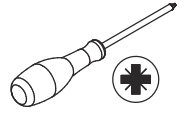
Screw eccentric rod(A) into board 16 as shown.



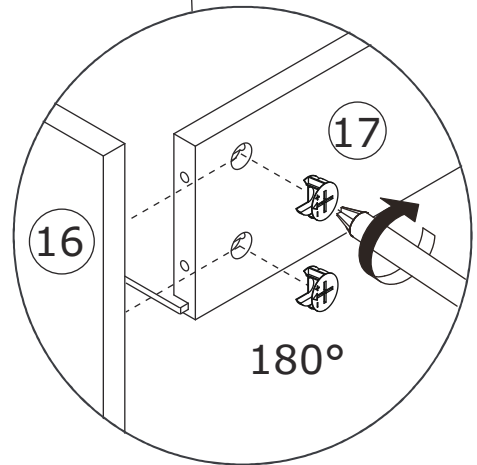
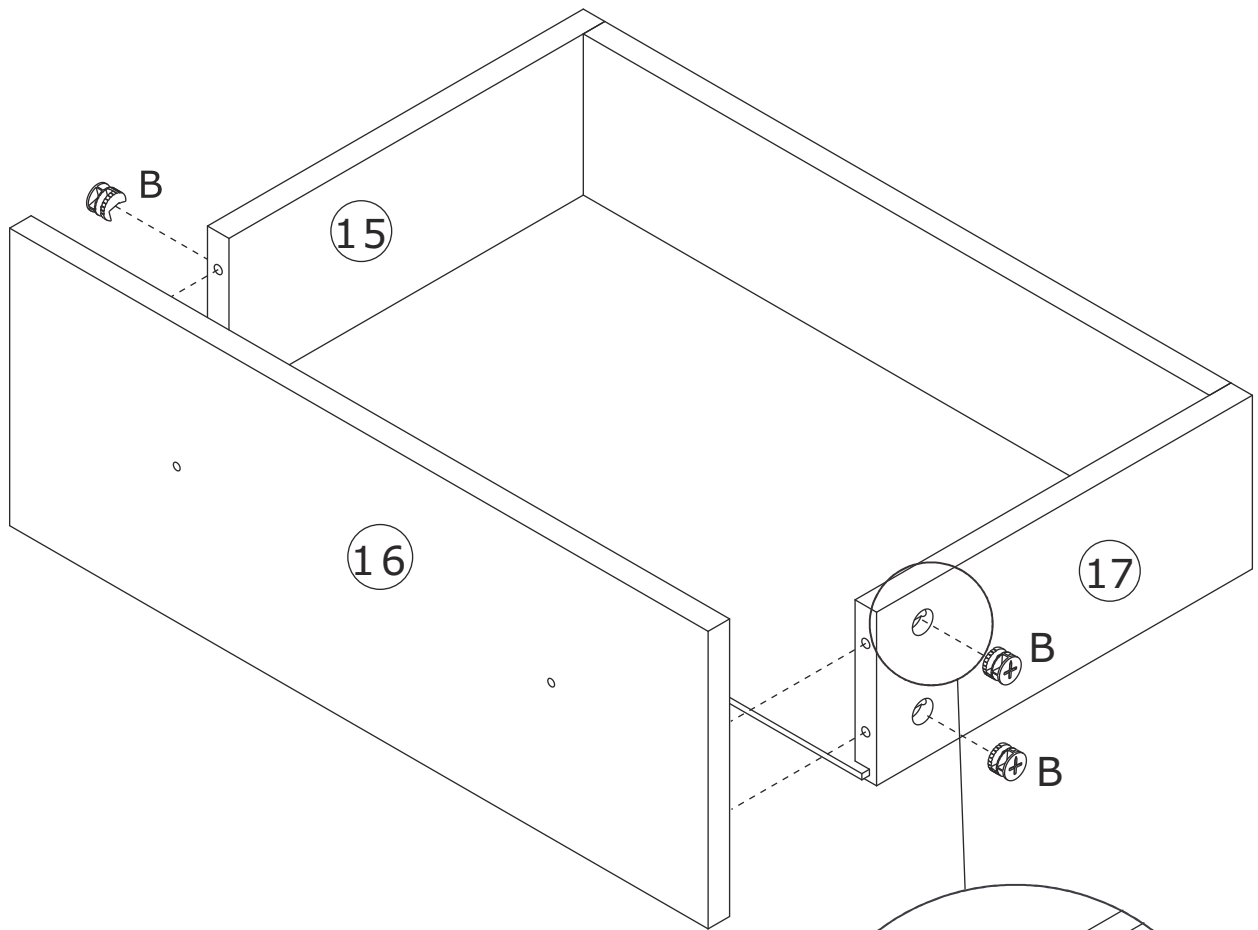
x 3

30

B x 12
Ø 15 x 11 mm

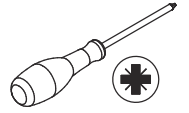
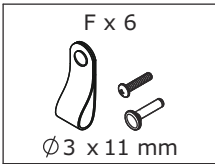


Attach board 16 to board 15 and 17, add cam lock(B) into and turn clockwise to tighten as shown.

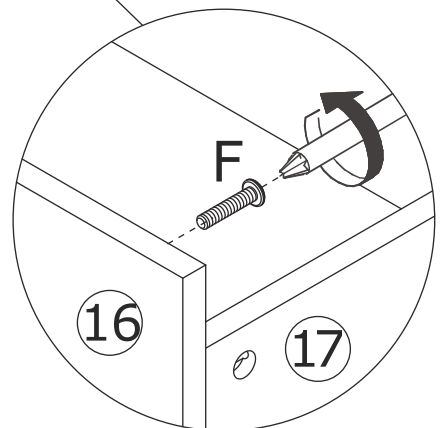
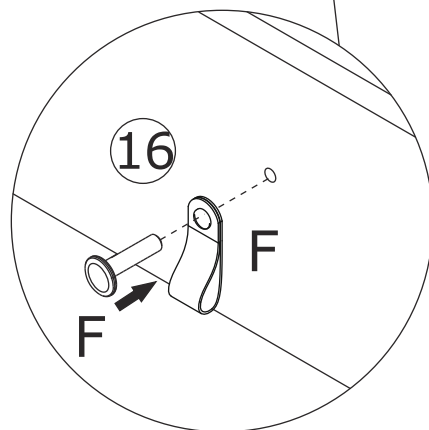
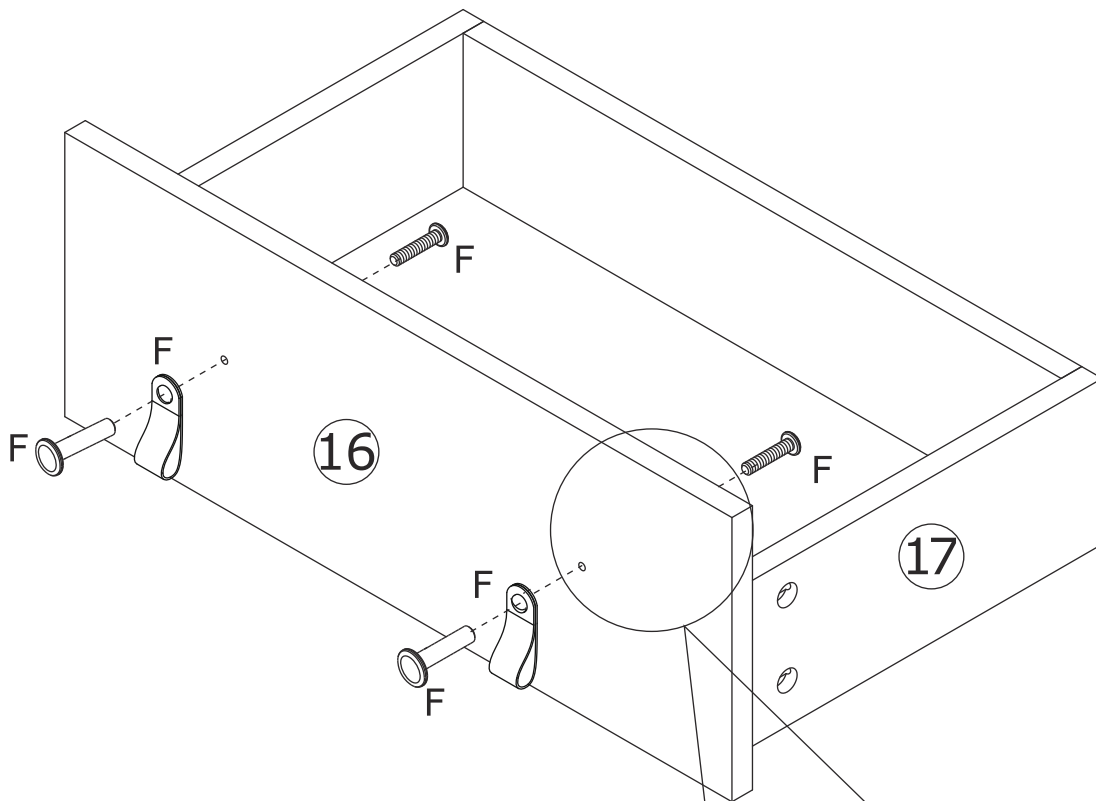


x3

31

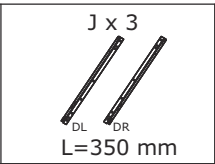
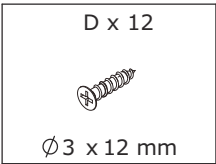


Fix handle(F) to board 16 as shown.

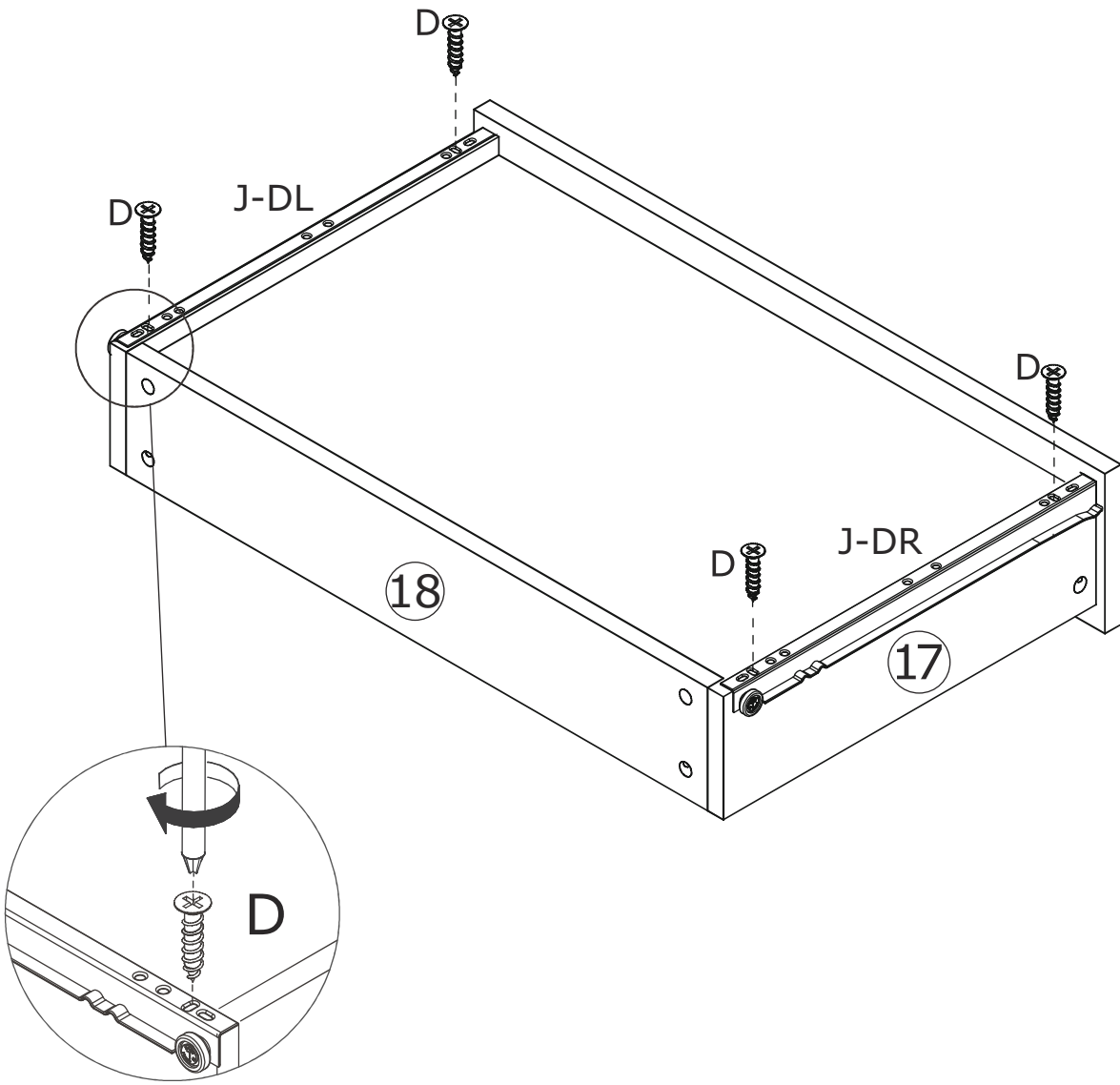
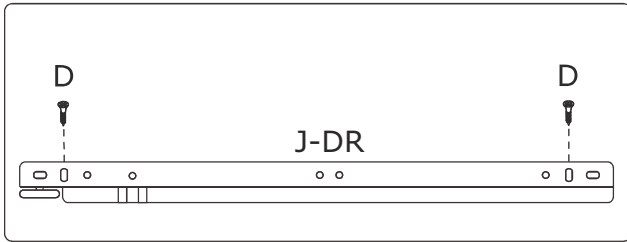


x3

32



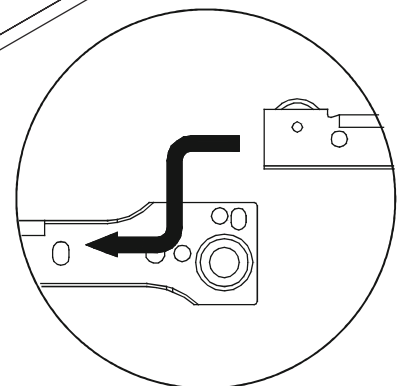
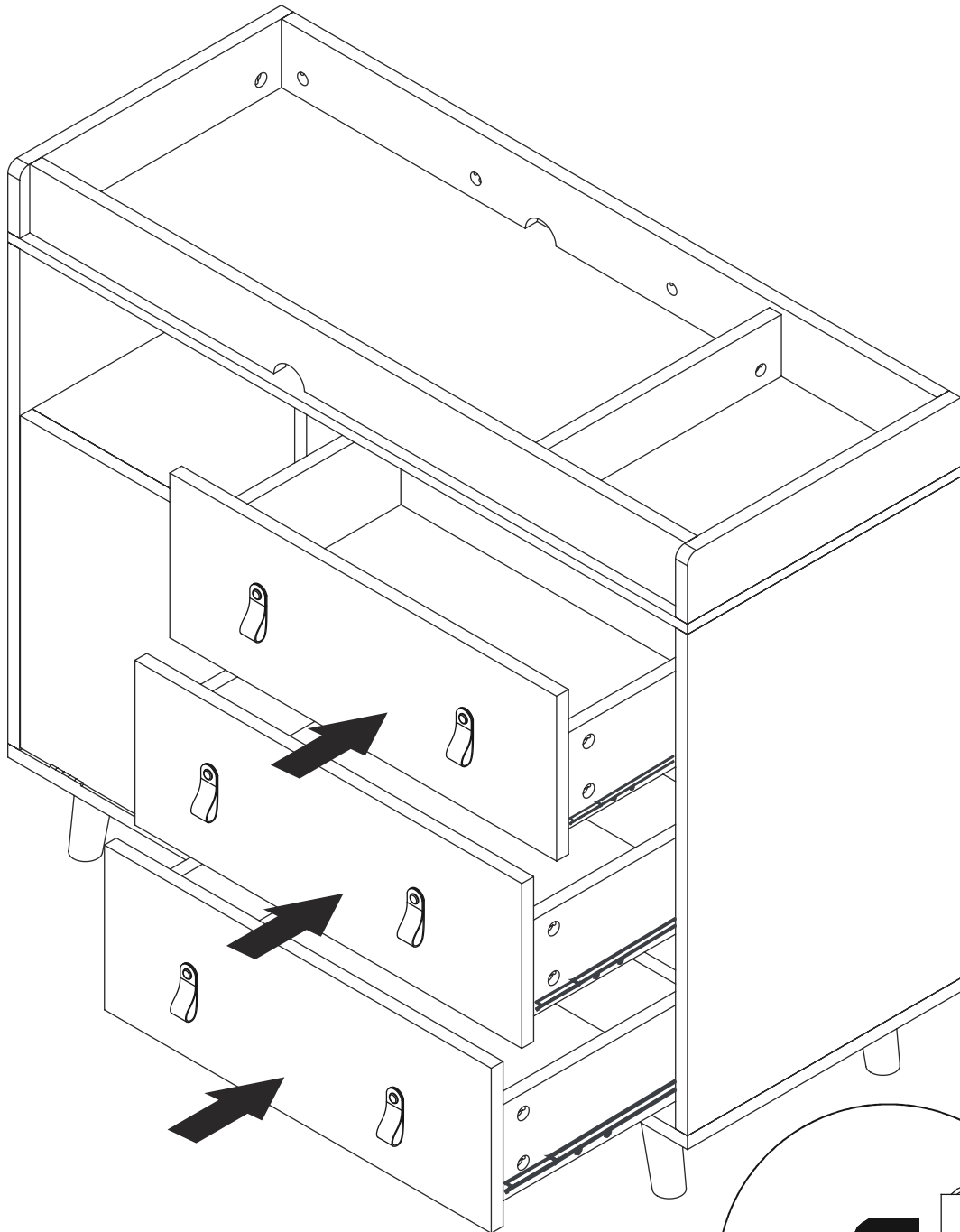
Fix runner(J-DL) and (J-DR) to board 15 and 17 respectively with screw(D) as shown.



x3

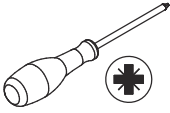
33

Align rails, insert all drawers in.

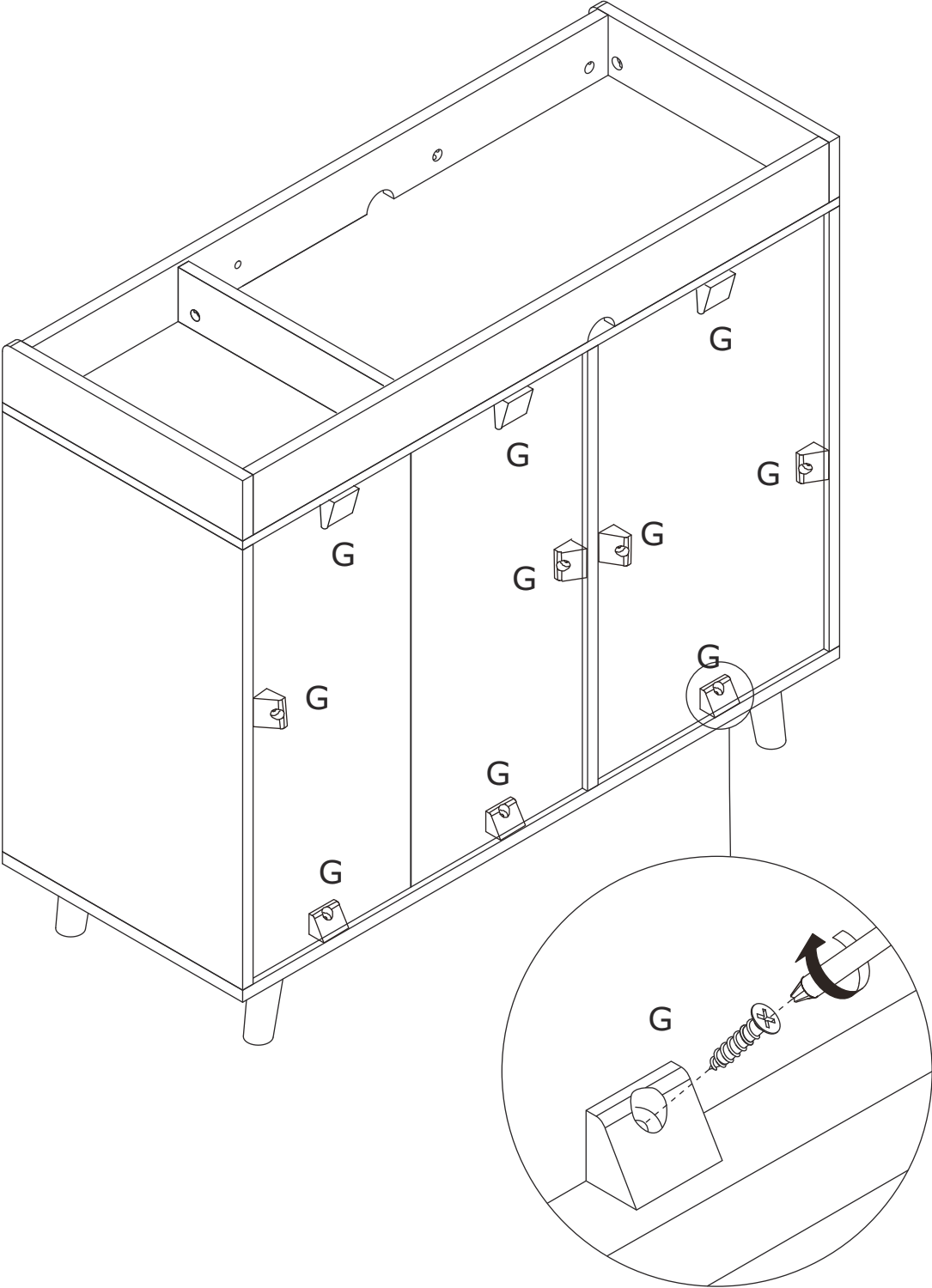


34

G x 10
Ø3 x 12 mm



Insert buckle(G) into back slots and fix to tighten as shown.



35

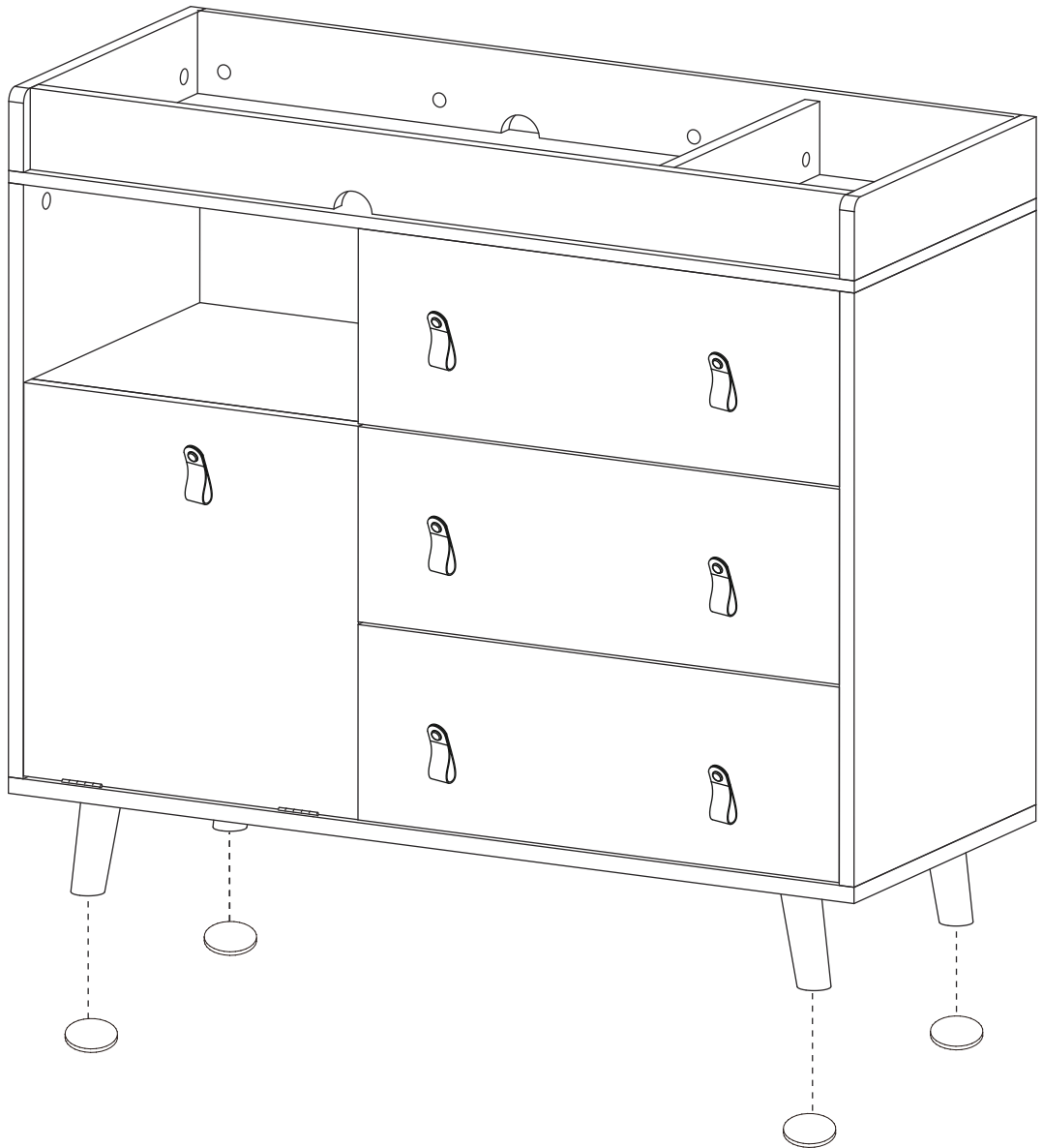
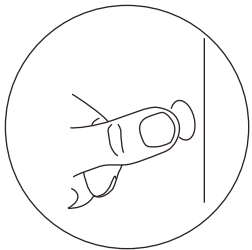
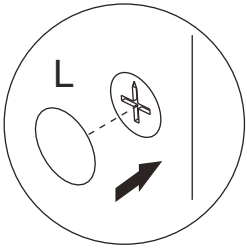
L x 62



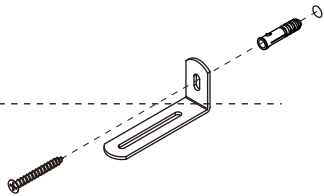
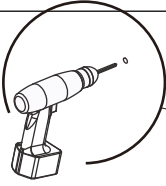
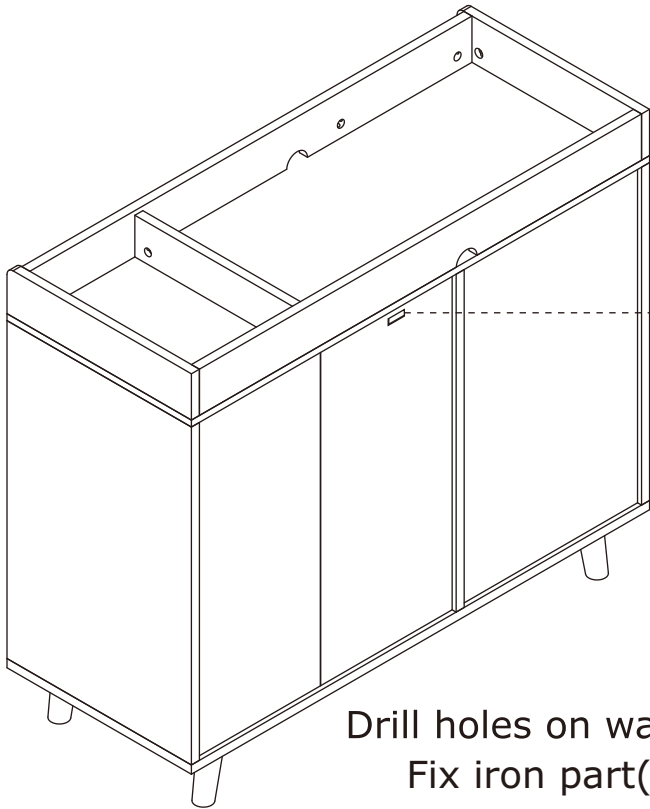
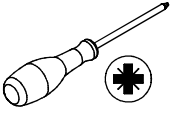
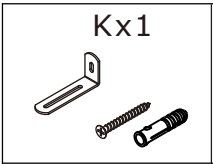
M x 4



Use sticker(L) to cover cam lock holes.

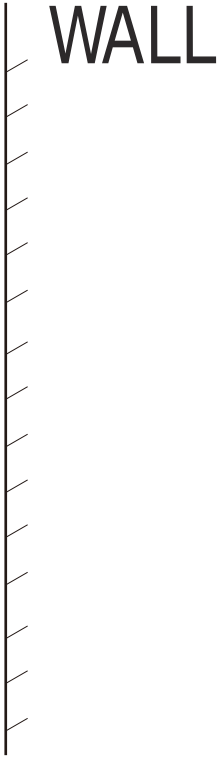
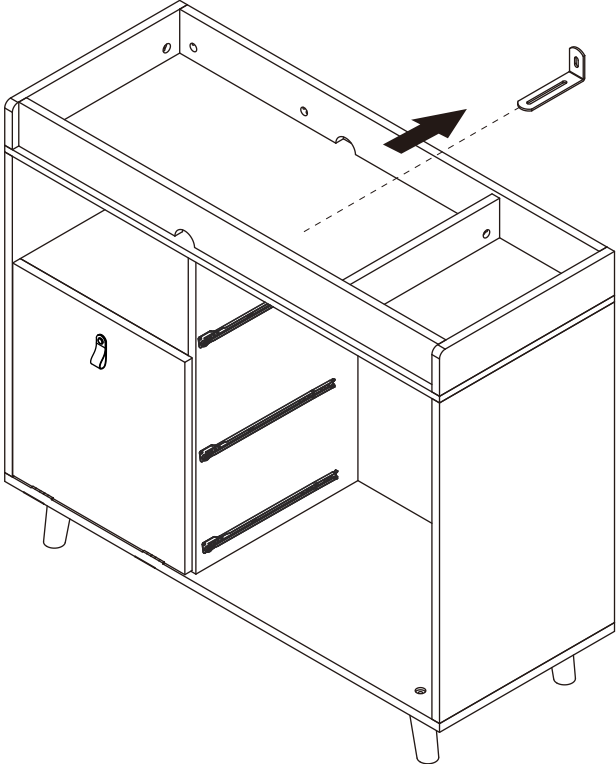
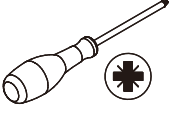
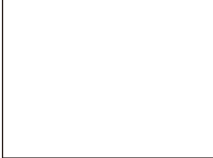


36



Drill holes on wall, knock plastic part(K) into.
Fix iron part(K) to the plastic part.

37

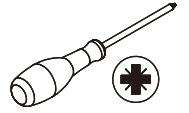


38

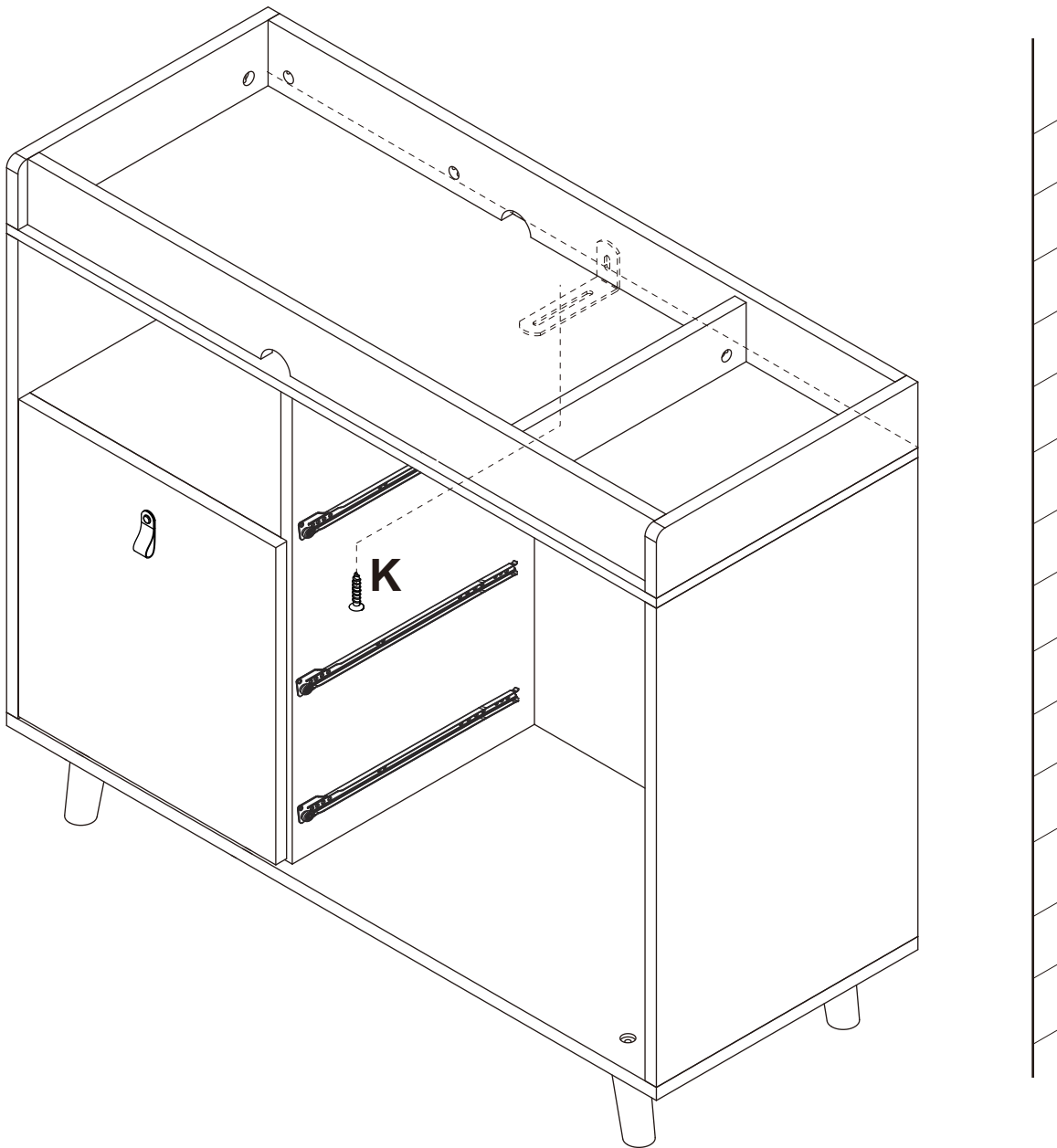
Kx1



Ø 3.5x14 mm



WALL



Install anti-tipping device as shown.

WARRANTY

WARRANTY CLAIMS

- There is a 30-day warranty for broken furniture or any other problems that do not work properly. The warranty will start from the date of purchase which must be verified by proof of purchase.
- Before making a claim, we may be able to answer your query, simply call us. Please leave your purchase order number, along with some details of the problem, if you want a replacement part. We will arrange within 48 hours. If there is out of stock, we will reply with a shipping date.
- The product must be used in accordance with the instructions provided. For health reasons.
- For other reasons, if the furniture needs to be returned, it must be cleaned and dried and operated within 30 days of receipt.

Type of Warranty Claim

- Failure to follow the furniture instructions will invalidate the warranty. Attention please.
- Does not include damage during installation, but includes damage during transportation.

Scope of responsibility

- Shall not bear any responsibility for misuse or user damage and / or loss of parts during the installation of furniture.
- After using, the damage and scratches of the furniture are not covered by the warranty.

The Warranty Relates to All Bought in The Us and Covers The Following Areas

- Sheet parts: 1 month from the date of purchase.
- Electrical parts: 1 month from the date of purchase.