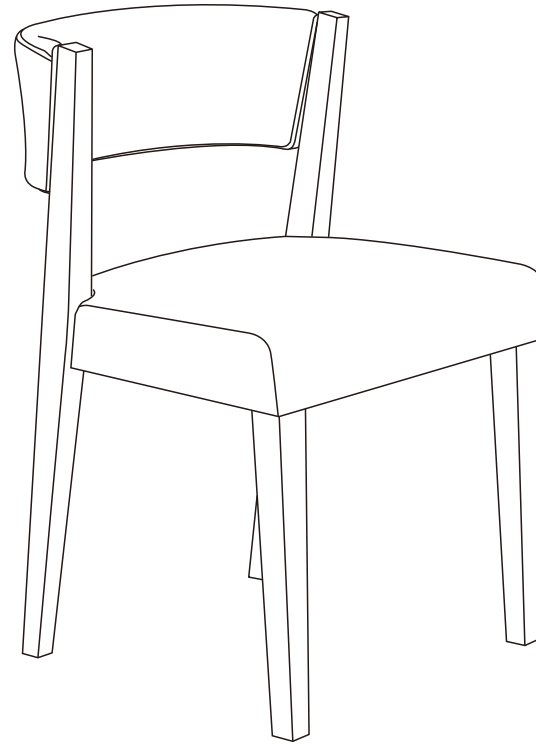


DINING CHAIR

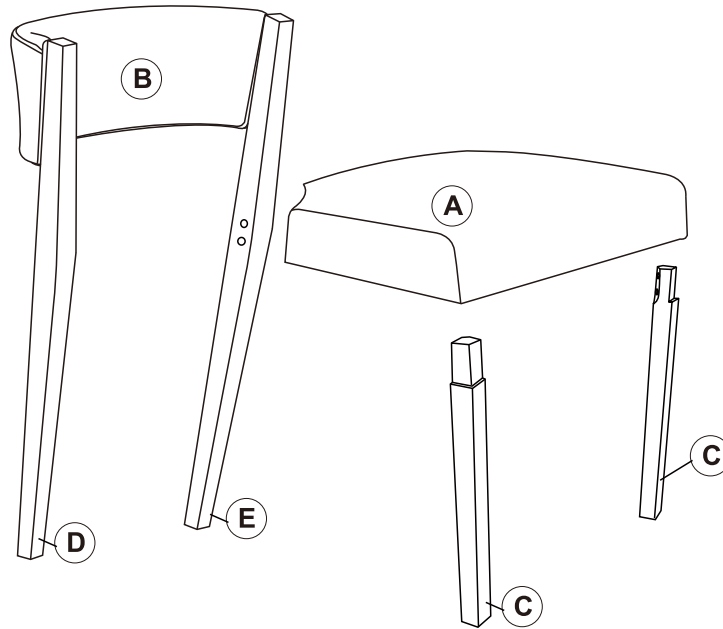
Assembly Instruction






Dear Customers,

Thank you for purchasing our product. Please read this instruction manual carefully after receiving this product. It will help you assemble this product quickly, safely and correctly. You can keep this manual for future reference.






CHAIR



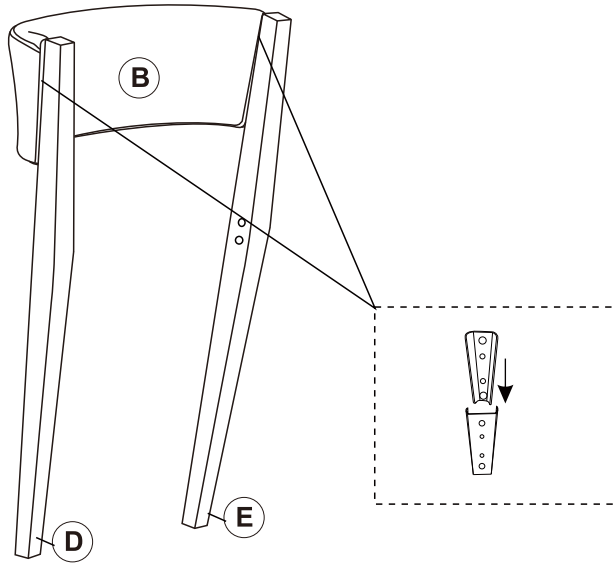
Hardware parts

F	Bolts M8x60mm	G	Washers M8	H	Wrench M8
					
	x8		x8		x1

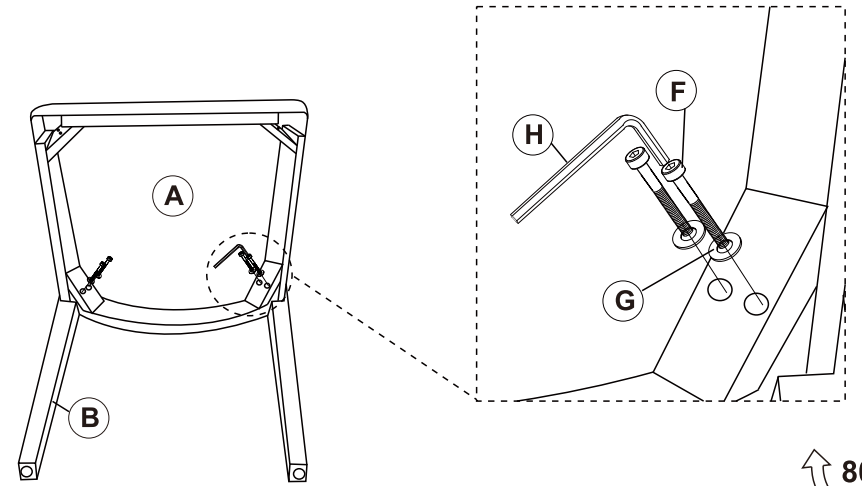
Main structure accessories

A	Seat	B	Back	C	Legs	D	Rear leg-R	E	Rear leg-L
									
	x1		x1		x2		x1		x1

STEP1



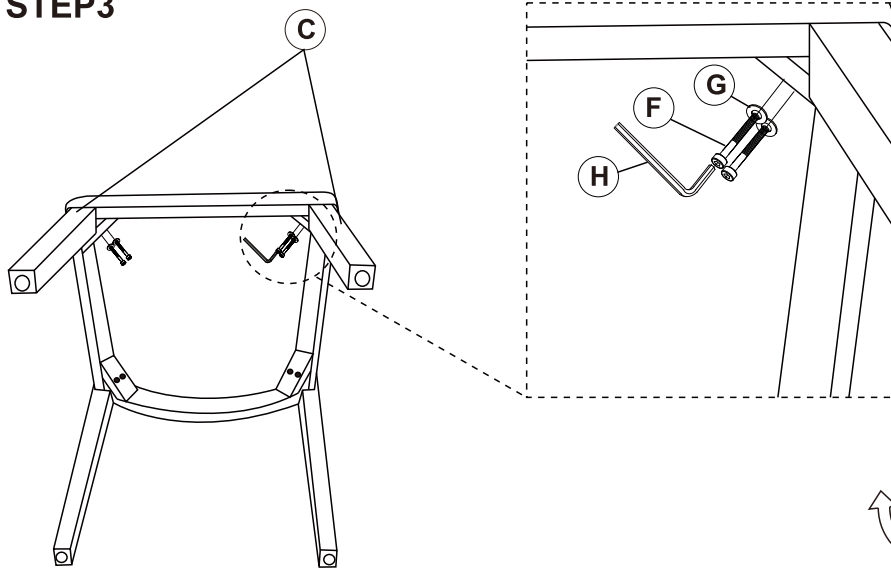
STEP2



Note:
Screwing **F** on the chair (tighten 80% of screws first),
It might help you assemble more easily.

F		x4
G		x4
H		x1

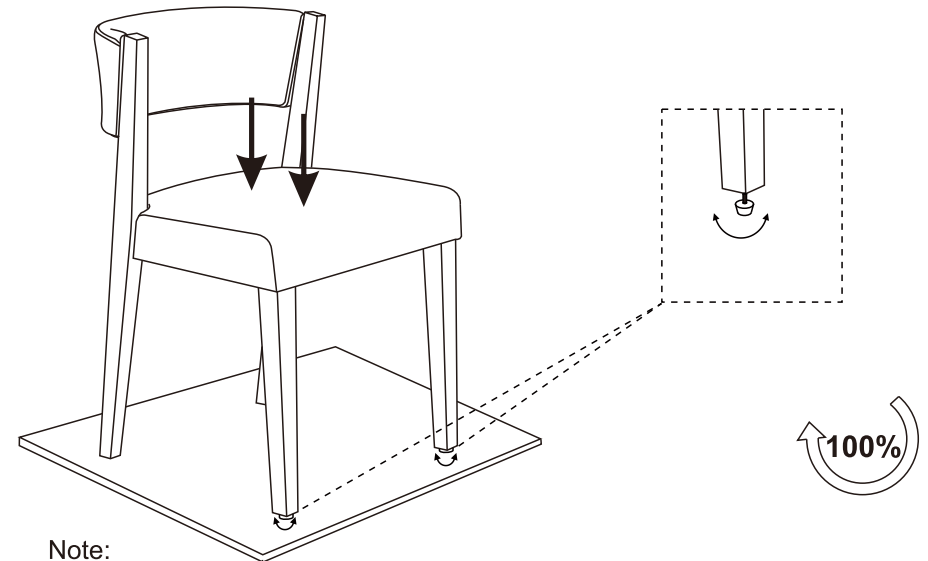
STEP3



Note:
Screwing **F** on the chair (tighten 80% of screws first),
It might help you assemble more easily.

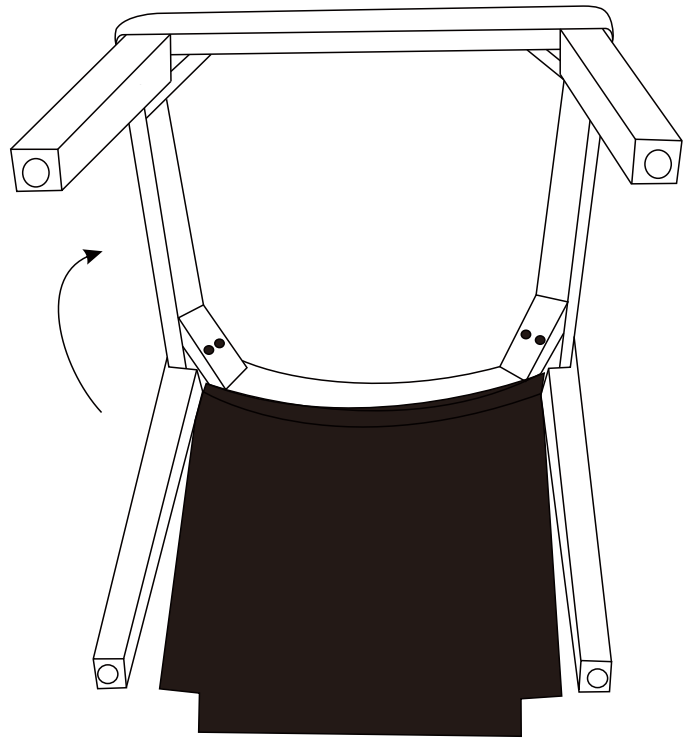
F		x4
G		x4
H		x1

STEP4



Note:
Ensure the chair is stable on the ground and doesn't require any
adjustments, then tighten all screws to 100%.

STEP5



Note:
Using Nylon fastener to secure it in place.

STEP6

