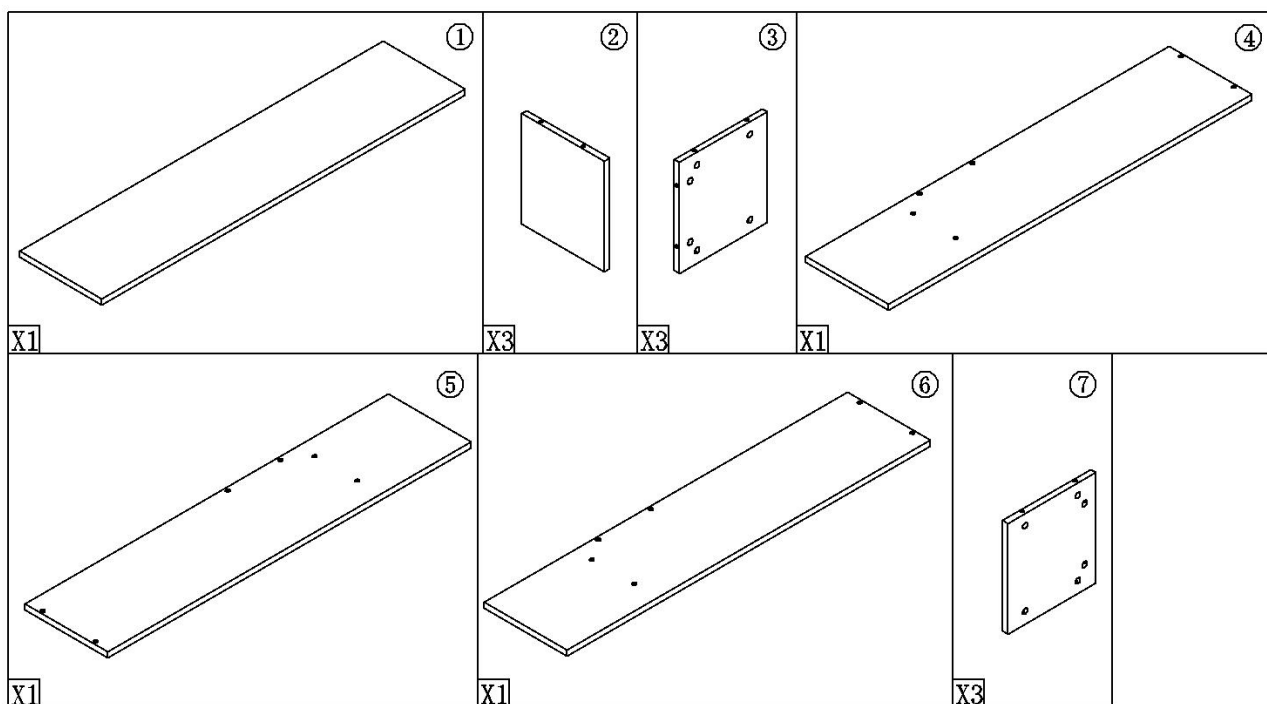
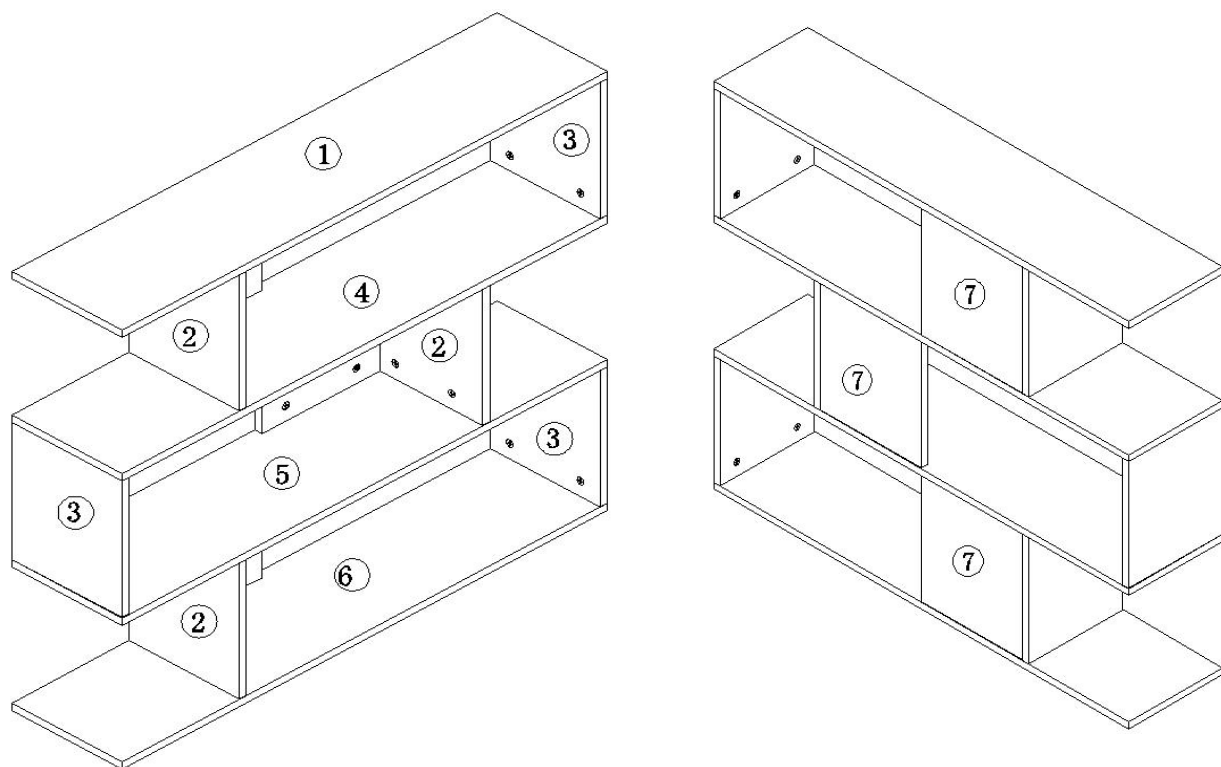





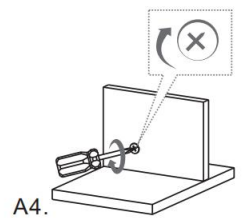
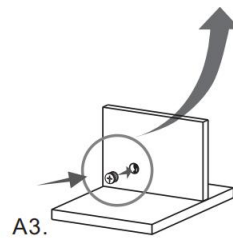
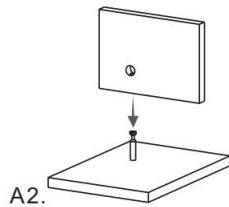
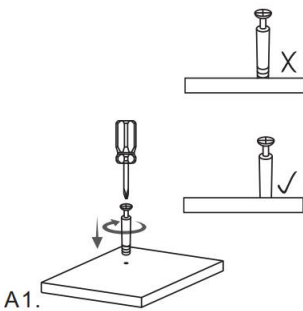
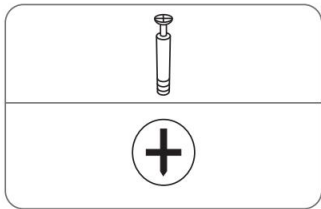


# OPERTING INSTRUCTIONS

Part List

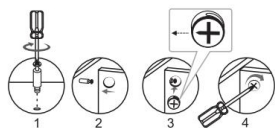
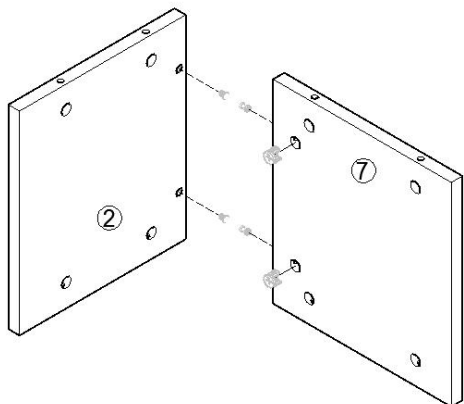


PART	ITEM		QTY
A	6X40 MM		42
B	∅15 MM		42
C	∅20 MM		42
D	∅22*4 MM		8
E			2



# Assembly Instructions

1



**A** 6X40 MM

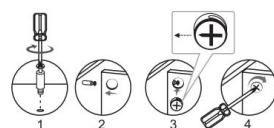
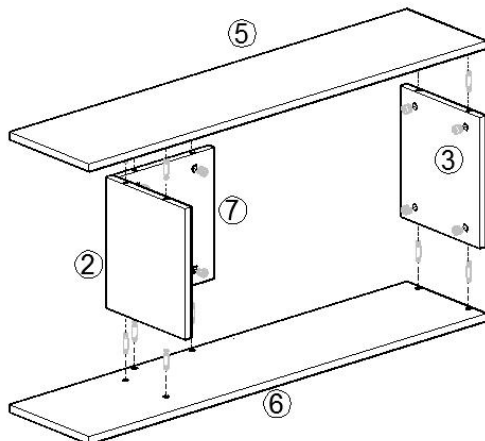
X2 X3

**B**  $\Phi$  15 MM

X2 X3

X3

2



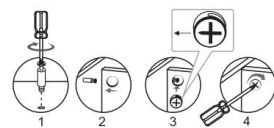
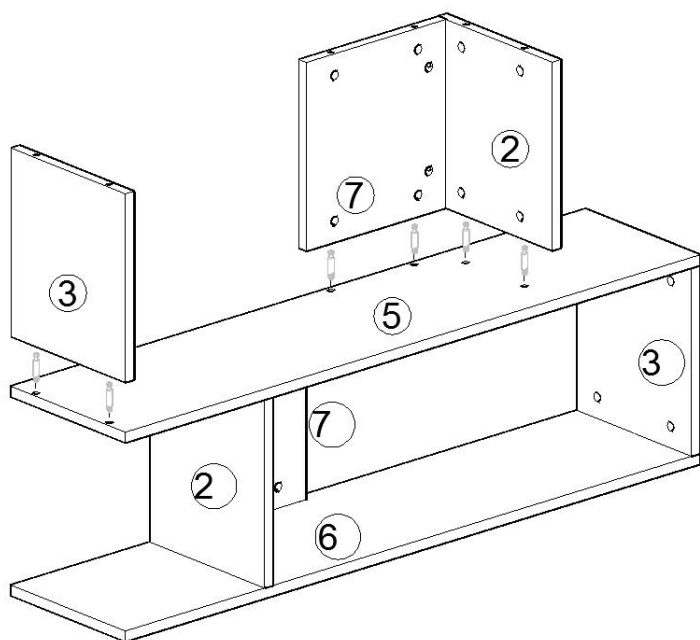
**A** 6X40 MM

X12

**B**  $\Phi$  15 MM

X12

3



**A** 6X40 MM

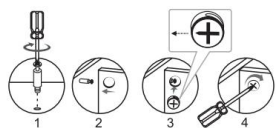
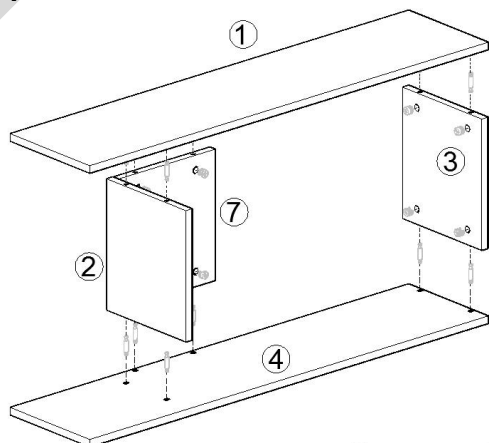
X6

**B**  $\Phi$  15 MM

X6

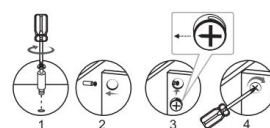
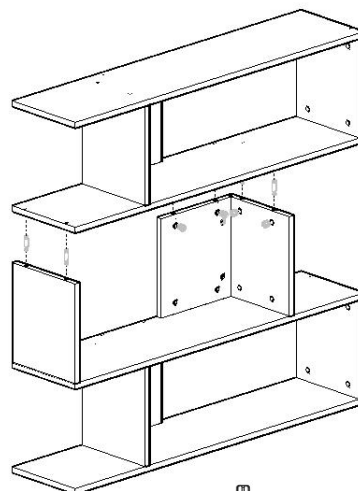
# Assembly Instructions

4



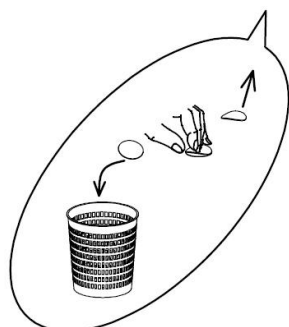
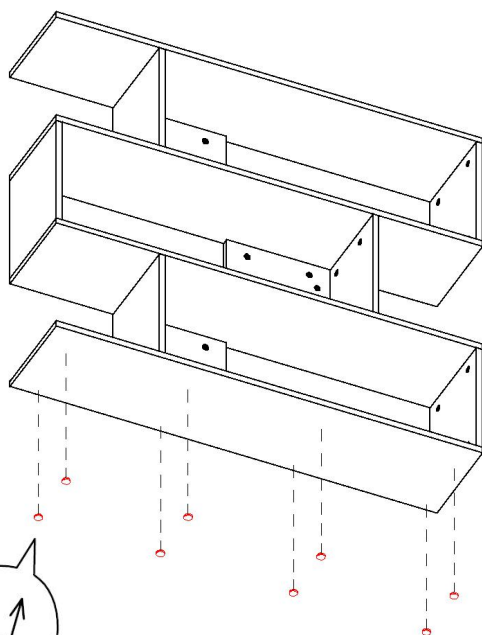
<b>A</b>	6X40 MM	
	X12	
<b>B</b>	Φ 15 MM	
	X12	

5



<b>A</b>	6X40 MM	
	X6	
<b>B</b>	Φ 15 MM	
	X6	

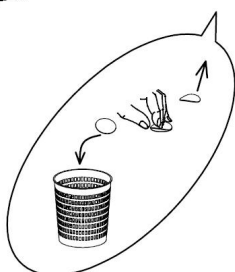
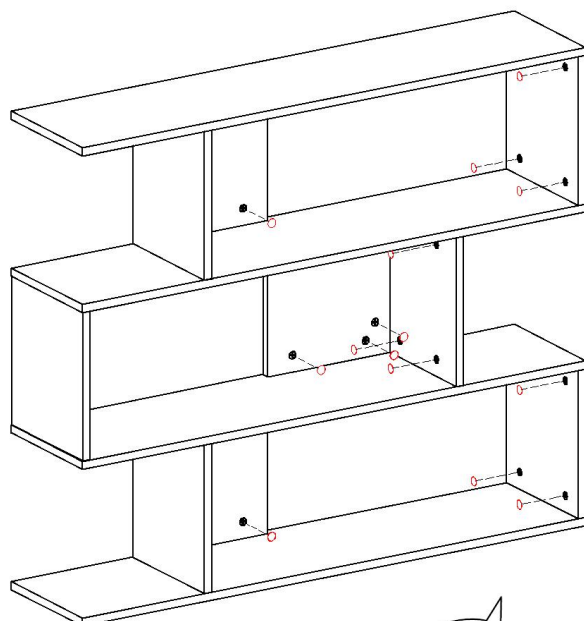
6



<b>D</b>	φ22*4	
	X8	

# Assembly Instructions

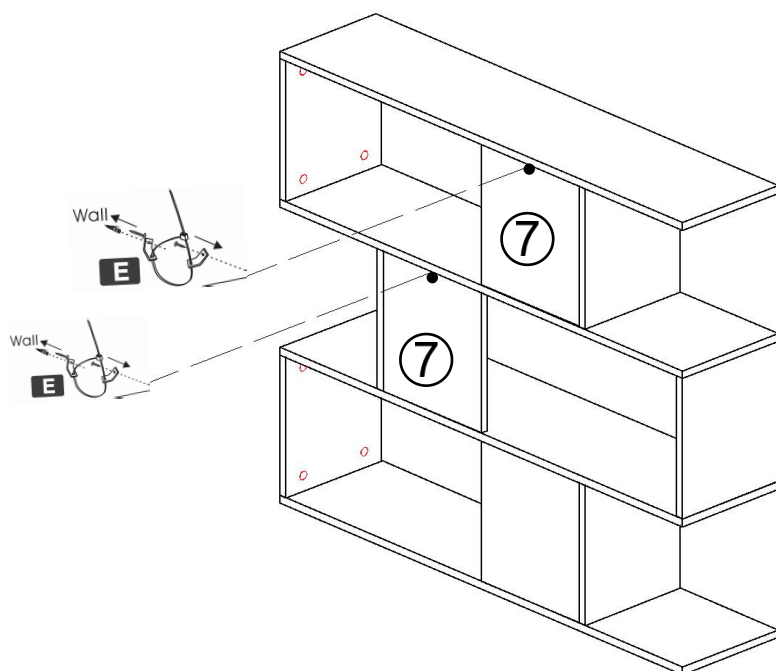
7



**C**  $\phi 20$  MM

X 42

8



**E** 3X15 MM

X4

