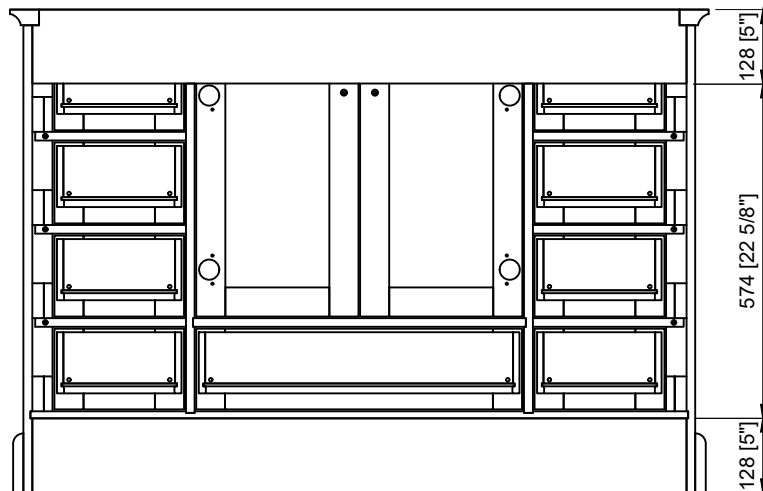
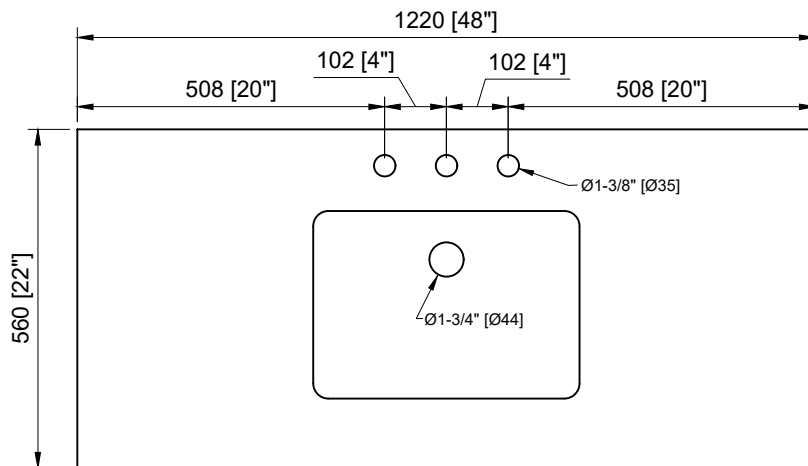
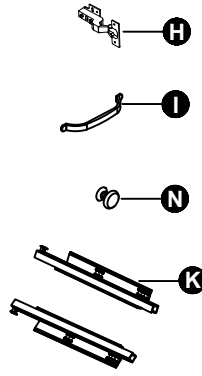
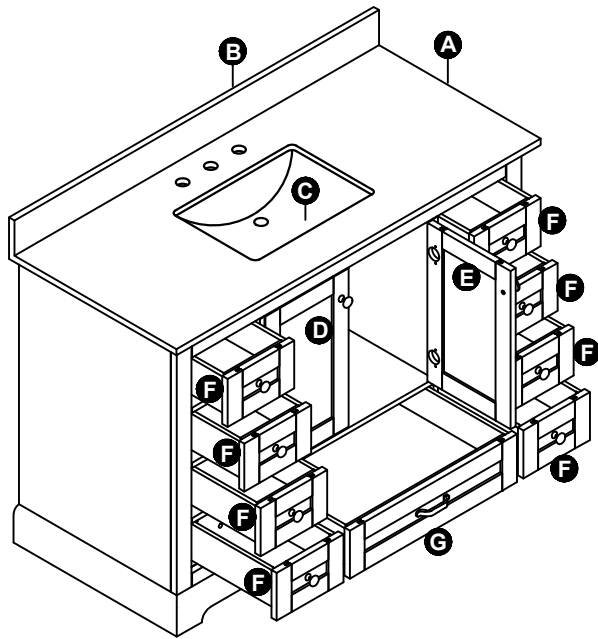


DIMENSIONS

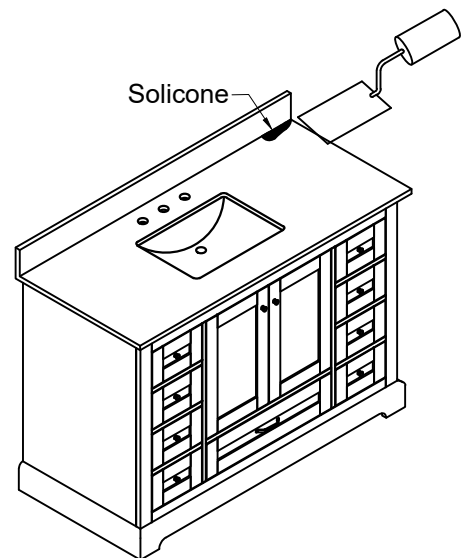
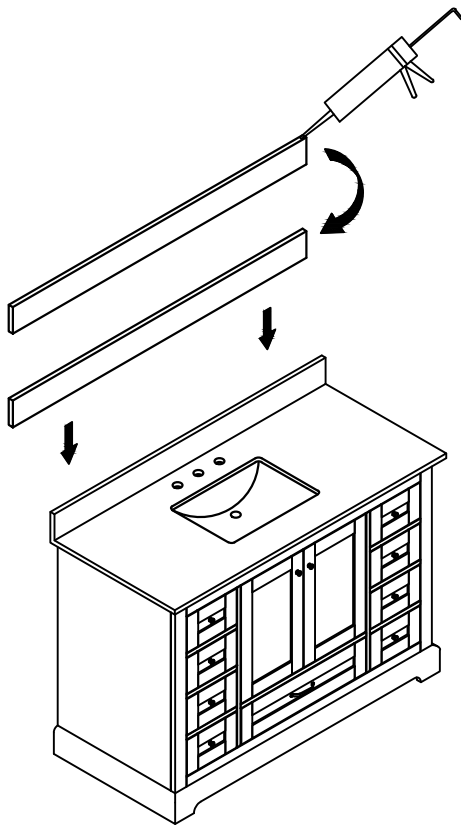




PART #	DESCRIPTION	Q'TY
A	Countertop	1
B	Backsplash	1
C	Basin	1
D	Door (left)	1
E	Door (right)	1
F	Drawer	8
G	Drawer	1
H	Hinge (door)	4
I	Handle	1
N	Knob	10
K	Drawer glides	9

INSTALLATION

(A) (B)



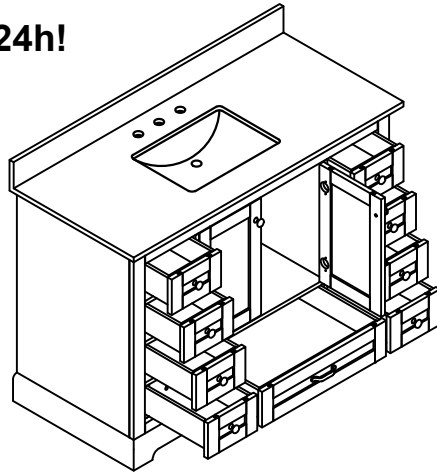
TOOLS REQUIRED (not supplied)



#1

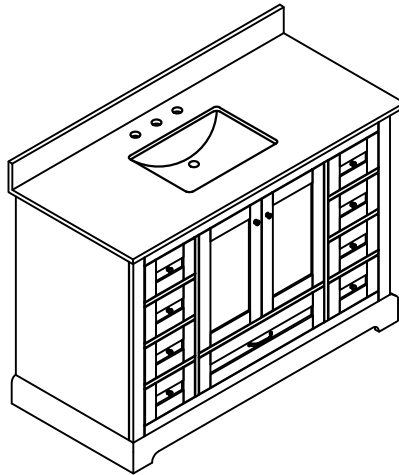
INSTALLATION

©



#2

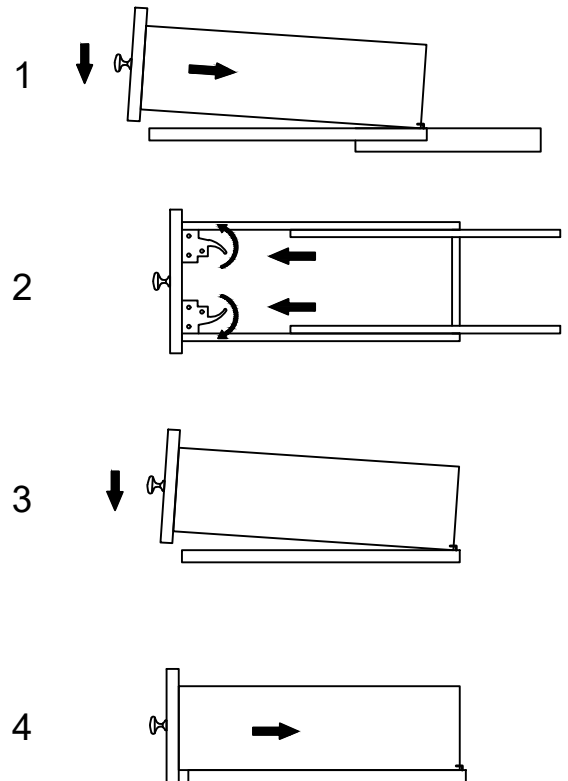
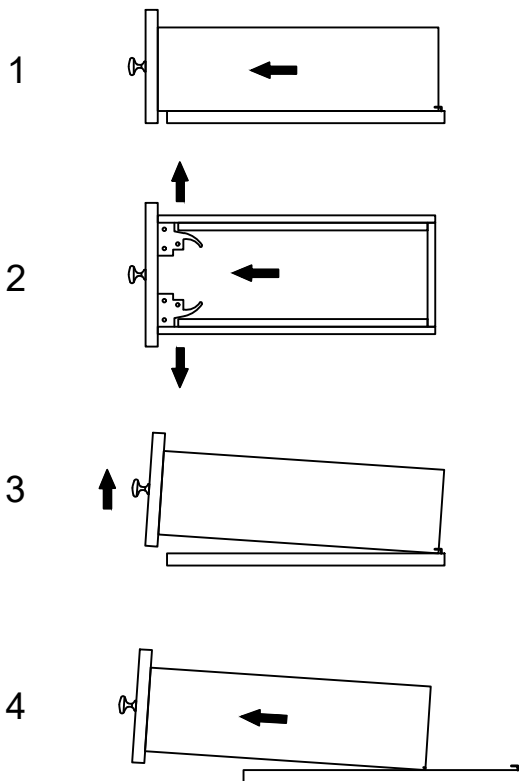
DRAWER



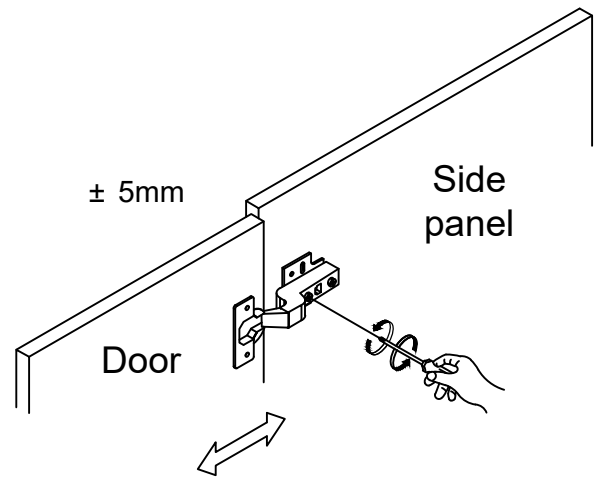
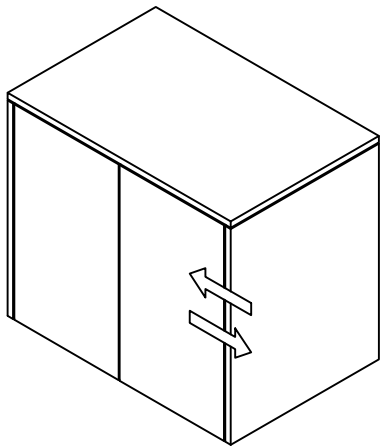
REMOVE

INSTALL

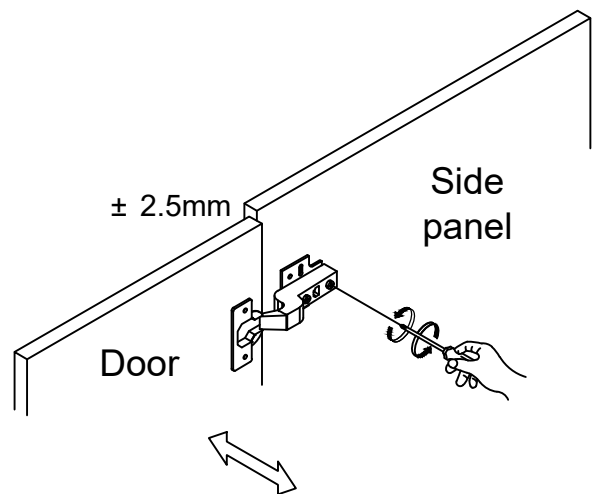
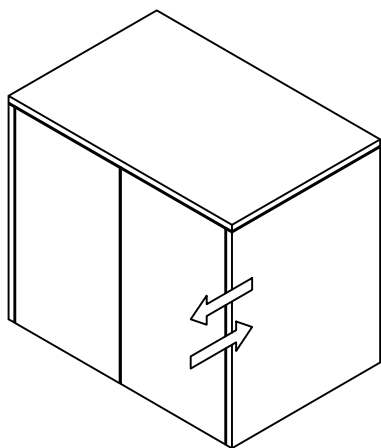
(B) (C)



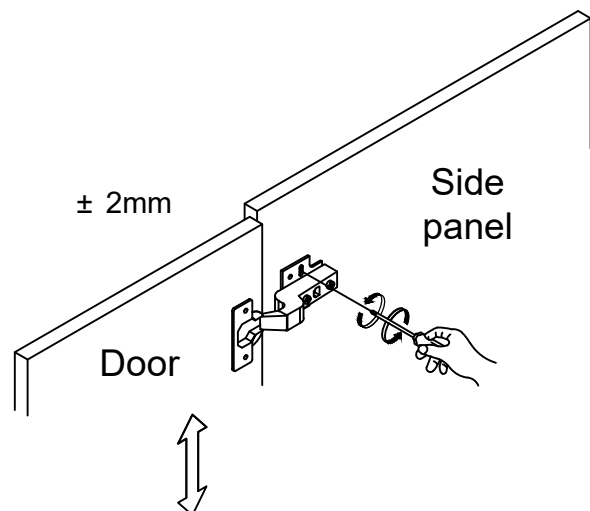
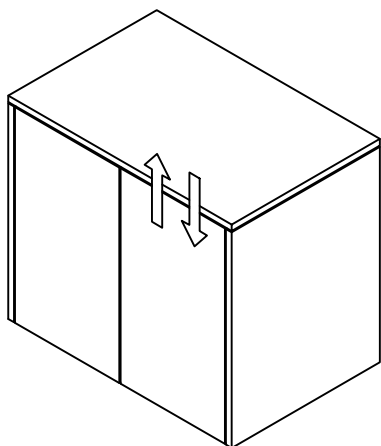
Left and right adjustment.



Front and back adjustment.



Up and down adjustment.



How to Move Countertops

When moving marble or quartz tops, make sure that the top is in a vertical position. Have enough manpower to lift the heavy stone with minimal effort. Always perform the lifting and lowering actions slowly and by using your knees to avoid any back injuries. When uploading it to a vehicle use blankets and other padding materials to protect its edges from cracking.

Countertops Care & Maintenance

Your countertops will require some care and maintenance in order to maintain their luxurious look. Normal good housekeeping practices should be applied. Marble or quartz is a porous stone and is susceptible to staining, especially from acidic products including lemon, vinegar, and wine. Cooking oil can also be damaging to marble, so it's important to quickly wipe up any oil spills. Daily Care Frequently cleaning the marble with warm water is generally all that is required to maintain the appearance. Wipe the countertops with a soft, clean cloth and dry thoroughly. Acidic or abrasive cleaners should never be used on marble. Use a neutral cleaner, stone soap, or a mild liquid dishwashing detergent if needed or desired. Do not use scouring powders or creams as they may scratch the surface.