








Assembly Instructions

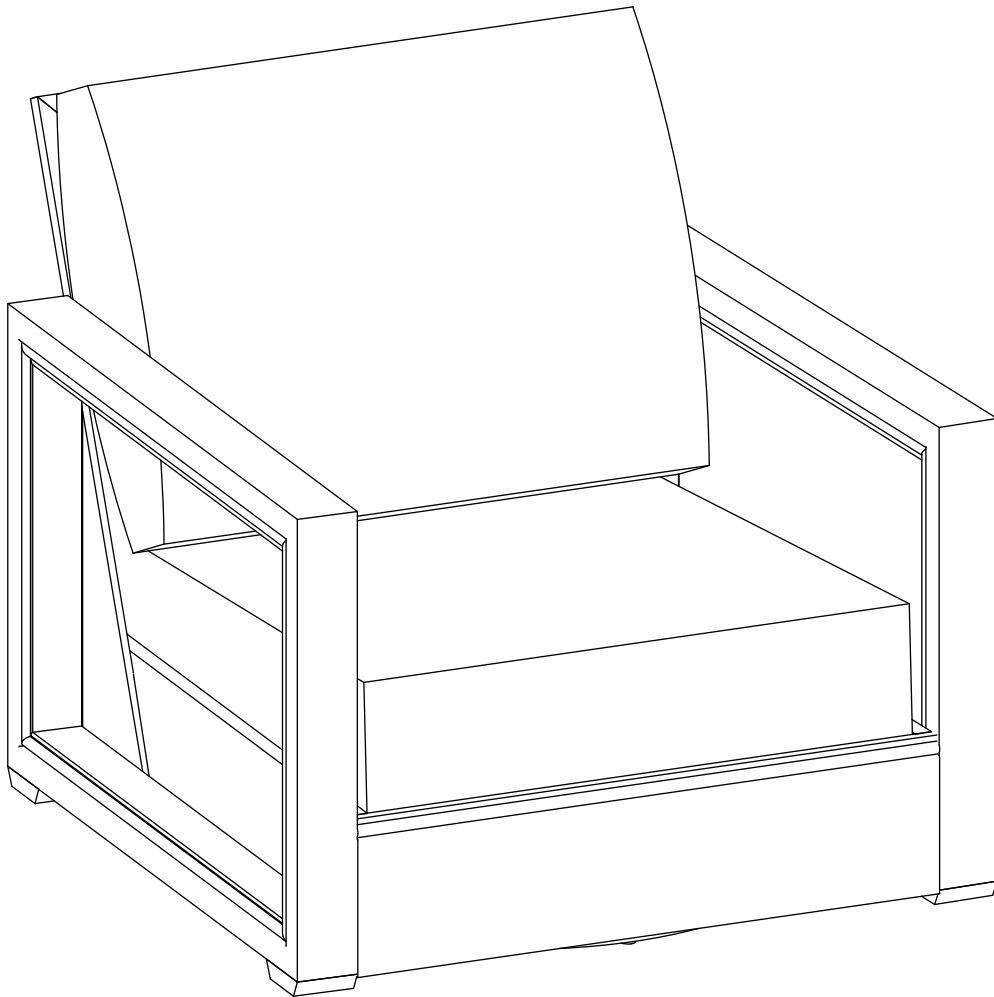
Caution: You must read this **assembly instructions** before you proceed.

Care & Maintenance:

- ⊘  • Not for commercial use. For residential use only.
- ⊘  • DO NOT put hot items directly on furniture surface.
- ⊘  • DO NOT clean furniture with harsh cleansers or polish.
- ✓  • To obtain the longest lifespan of your outdoor products, minimizing exposure to direct sunlight is recommended.
- ⊘  • Children should not climb or jump on the furniture.
- ⊘  • DO NOT write on furniture without a padded barrier to protect the surface.
- ✓  • To obtain the longest lifespan of your outdoor products, avoid extended and lengthy exposure to rain, snow, and direct sunshine. Whenever possible cover the product and / or place under patio or awnings
- ⊘  • Stains may be removed with mild soap solution and damp cloth.
- ✓  • Dust and pick-up spill using a clean, non-colored, lint-free cloth.

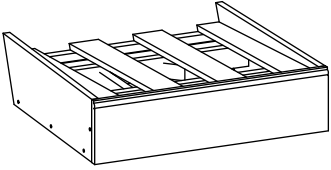
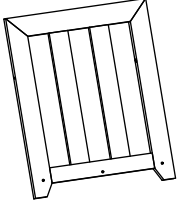
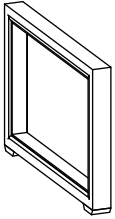
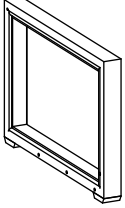
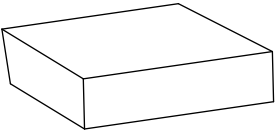
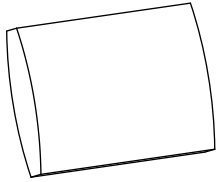
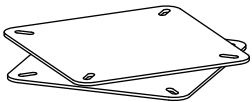
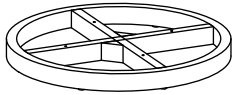
Please look in the **Leg Frames** for all hardware.

CHAIR

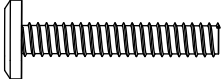
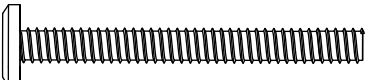
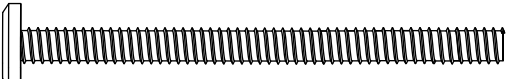
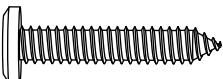
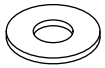



Caution: This Chair is NOT a TOY.
Keep your child/children at bay during the assembly process.
Whenever moving/lifting the Chair and to prevent damage to the Chair, two adult partners may be needed to execute these actions.

Part List:

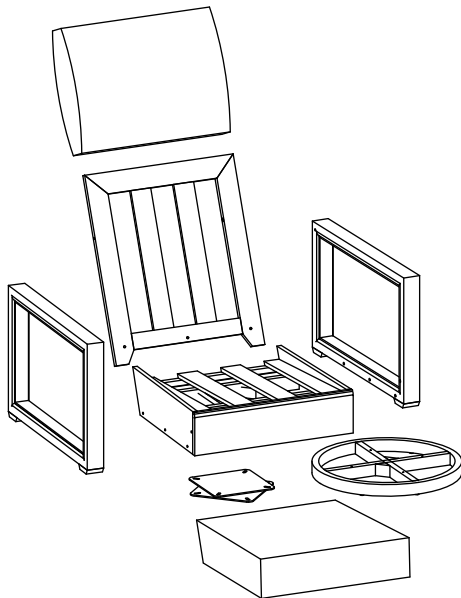
Label	Picture	Description	QTY
A		Seat Panel	1
B		Backrest Panel	1
C		Left Leg Frame	1
D		Right Leg Frame	1
E		Seat Cushion	1
F		Back Cushion	1
G		Swivel Plate	1
H		Base Frame	1







Hardware:

Label	Picture	Description	QTY
①		Bolt (M6x35mm)	10
②		Bolt (M6x60mm)	3
③		Bolt (M6x90mm)	3
④		Screw (M6x30mm)	9
⑤		Washer (6.5/16x2mm)	9
⑥		Allen Wrench	1

Assembly Preparation :

Before Beginning Assembly:



-  ① x10
-  ② x3
-  ③ x3
-  ④ x9
-  ⑤ x9
-  ⑥ x1



- Read instructions, cover to cover-



- Have 2 adults on hand for assembly-



- Do not assemble on flooring or carpet-



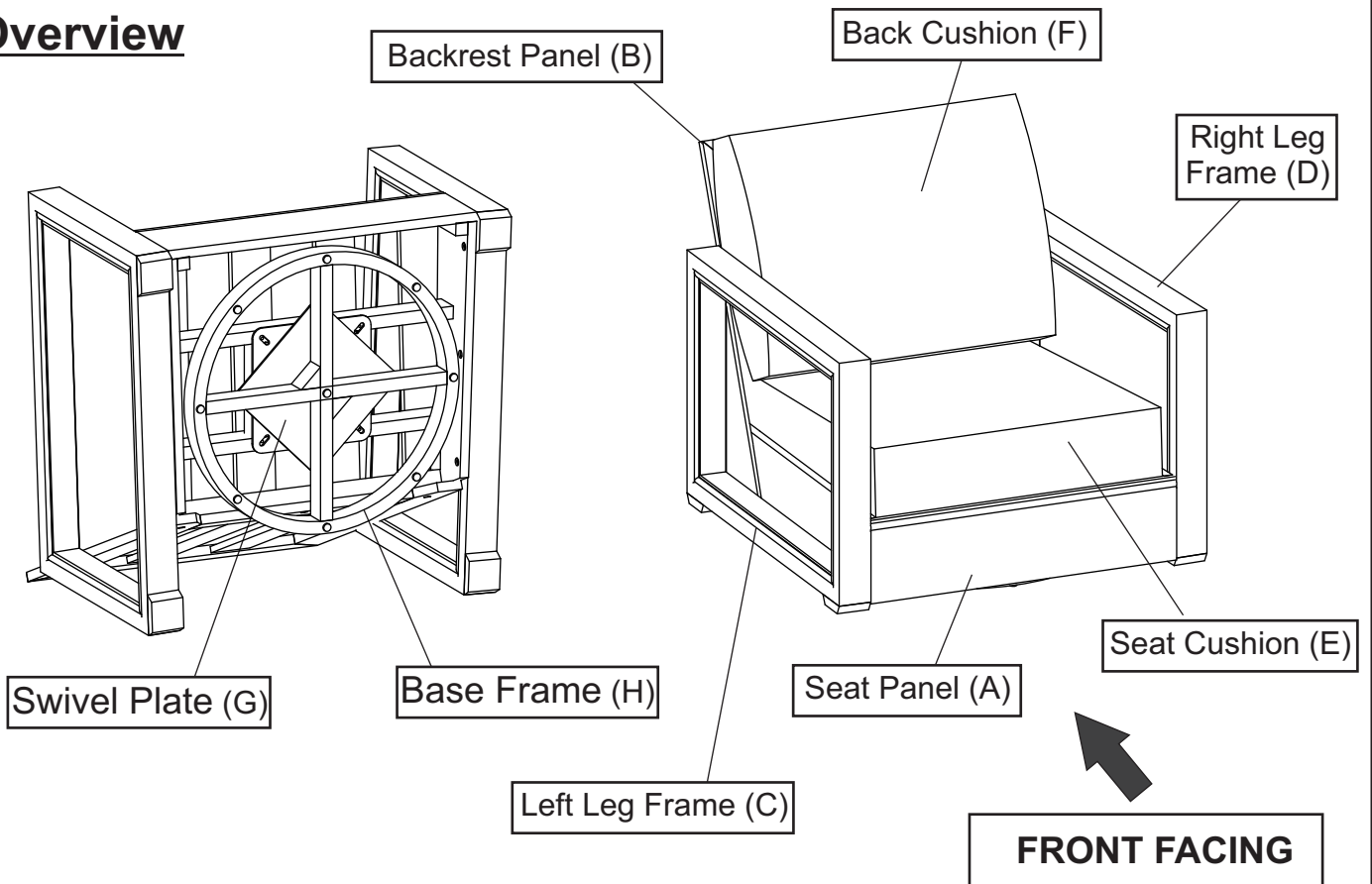
- Assemble on a clean non-marring surface (packing foam)-



- Save all packaging until finished-

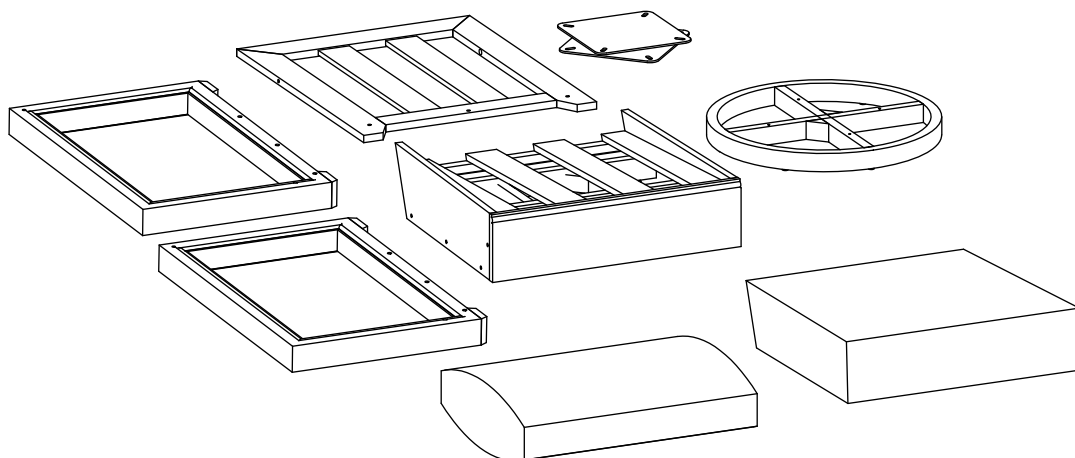
Assembly Steps:

Overview



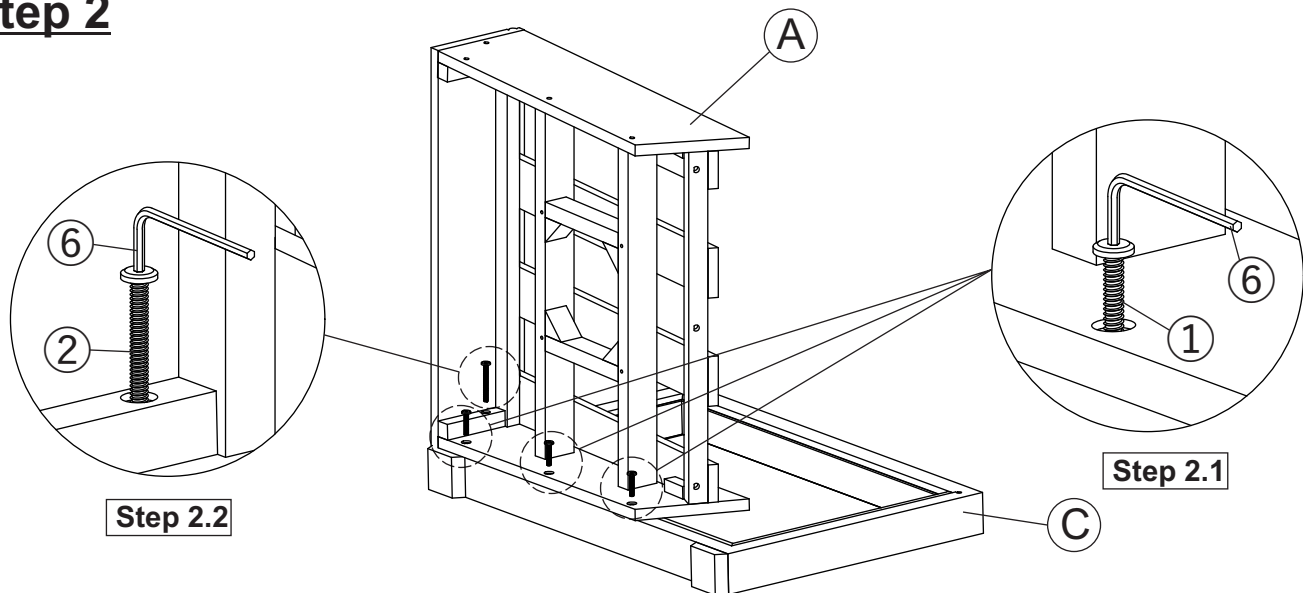
This Chair has multiple parts and may require up to 30 minutes to assemble. To give you an overview of the Chair parts, the above picture is to help you put the various parts into perspective. Please read through the instructions below to familiarise yourself with the parts and steps before assembly.

Step 1



Unpack and place all parts on a clean, non-marring surface.

Step 2



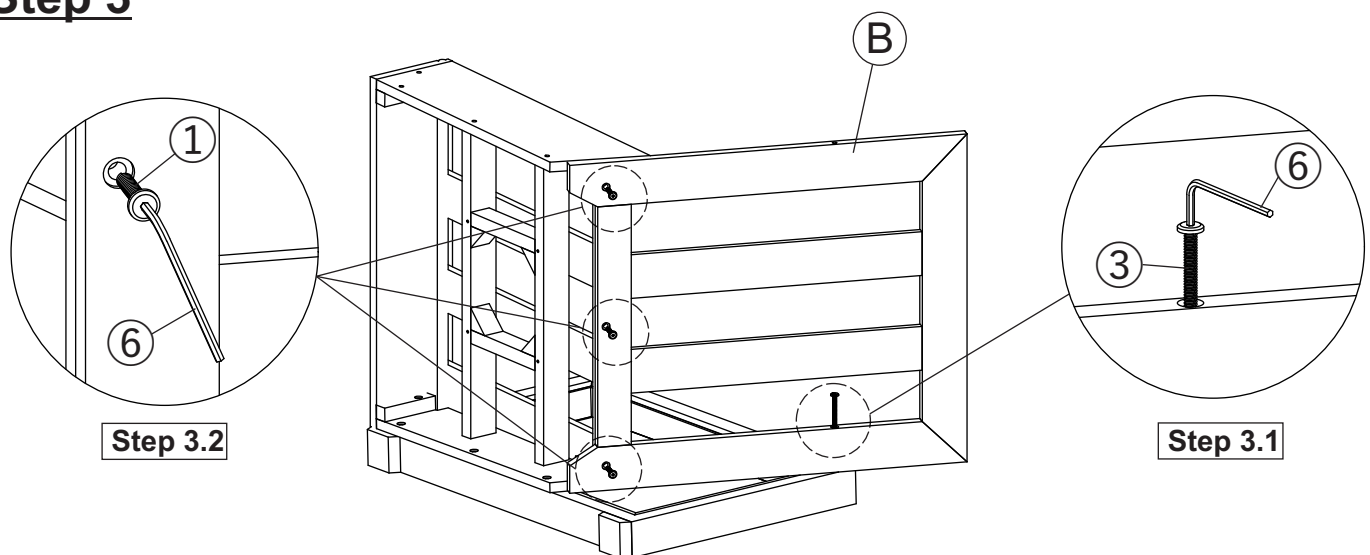
With assistance from your adult partner, position the Seat Panel (A) to the Left Leg Frame (C) as shown in the above picture.

2.1. Secure the Seat Panel (A) to the Left Leg Frame (C) by using Bolts (①) with Allen Wrench (⑥).

2.2. Secure the Seat Panel (A) to the Left Leg Frame (C) by using Bolt (②) with Allen Wrench (⑥)..

DO NOT fully tighten the Bolts at this time.

Step 3



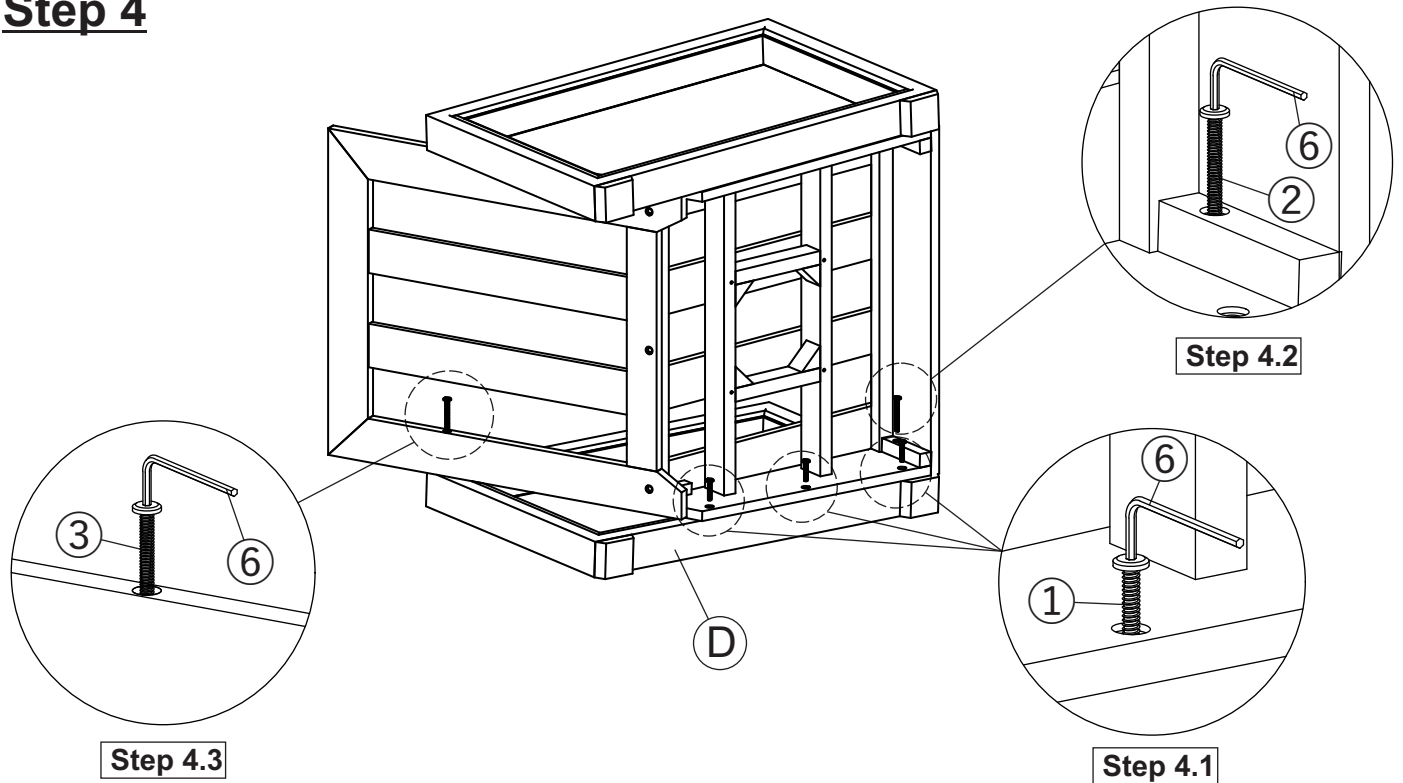
With assistance from your adult partner, position the Backrest Panel (B) to assembled parts in Step 2 as shown in the above picture.

3.1. Secure the Backrest Panel (B) to the Left Leg Frame (C) by using Bolt (③) with Allen Wrench (⑥).

3.2. Secure the Backrest Panel (B) to the Seat Panel (A) by using Bolts (①) with Allen Wrench (⑥).

DO NOT fully tighten the Bolts at this time.

Step 4



With assistance from your adult partner, position the assembled parts in Step 3 to Right Leg Frame (D) as shown in the above picture.

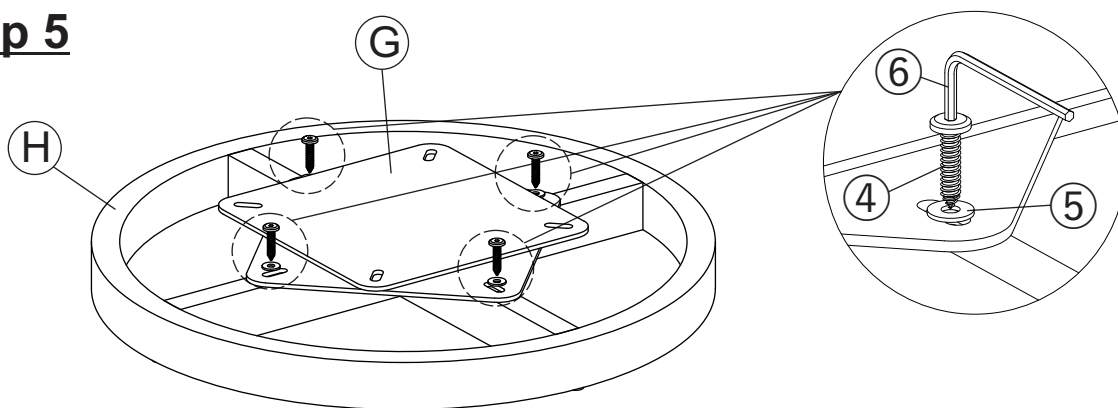
4.1. Attach the Seat Panel (A) to Right Leg Frame (D) by using Bolts (①) with Allen Wrench (⑥).

4.2. Secure the Seat Panel (A) to Right Leg Frame (D) by using Bolt (②) with Allen Wrench (⑥).

4.3. Secure the Backrest Panel (B) to Right Leg Frame (D) by using Bolt (③) with Allen Wrench (⑥).

DO NOT fully tighten the Bolts at this time.

Step 5

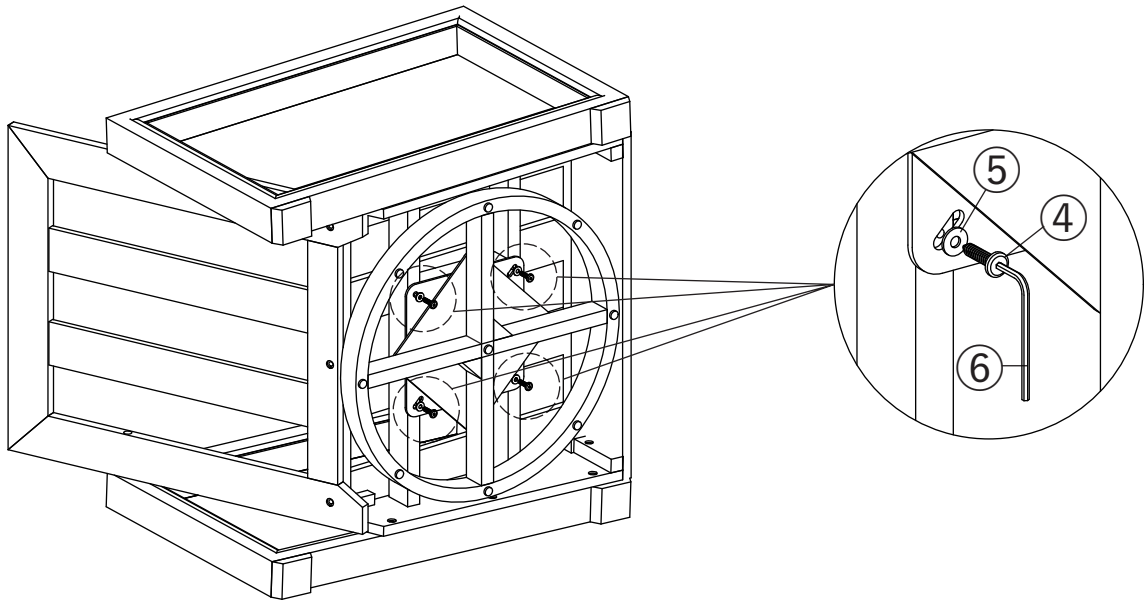


With assistance from your adult partner, position the Swivel Plate (G) to the Base Frame (H) as shown in the above picture.

Attach the Swivel Plate (G) to the Base Frame (H) by using Screws (④) and Washers (⑤) with Allen Wrench (⑥).

DO NOT fully tighten the Screws at this time.

Step 6

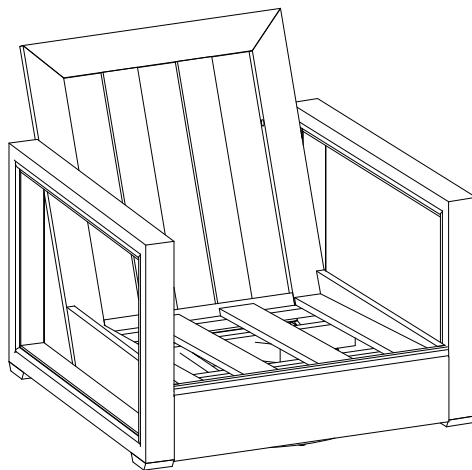


With assistance from your adult partner, position the assembled parts from Step 4 and Step 5 as shown in the picture above.

Attach the Swivel Plate (G) to the Seat Panel (A) by using Screws (④) and Washers (⑤) with Allen Wrench (⑥).

DO NOT fully tighten the Screws at this time.

Step 7



With the assistance from your adult partner stand the Chair up.

Exert pressure floorwards onto the Chair with both your hands.

This pressure will help the Legs and Chair reach full alignment status.

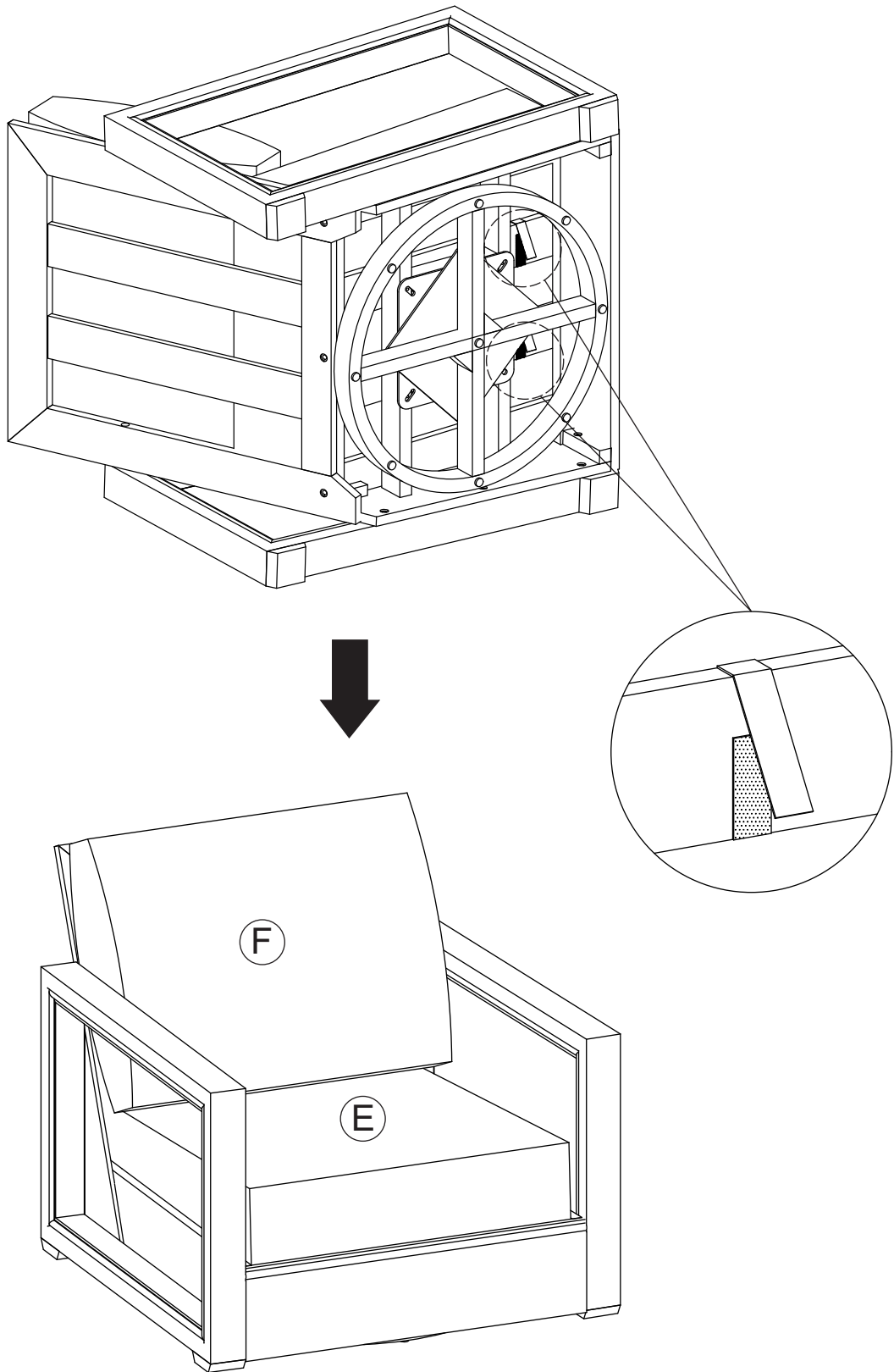
Check for wobbles on a LEVEL surface.

If no wobbles are found proceed to tighten the Bolts and Screw in a sequential manner, until evenly secured.

When tightening the Bolts and Screw tighten sequentially.

Do not tighten any Bolt and Screw fully and then move on towards the next one. If there are still wobbles after tightening, loosen the Bolts and Screw execute the same above process.

Step 8



Place the Seat Cushion(E) onto the Chair, then tie the magic tape of the Seat Cushion (E) to the Chair as shown in the above picture.

Turn the Chair right side up, place the Back Cushion (F) on the Chair as shown in the above picture.

Your Chair is ready for use.

This Chair can only be used on a flat, level surface.