

# Instruction Manual

Please save this manual for future reference.














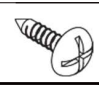
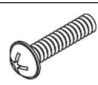
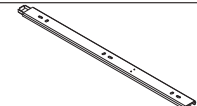
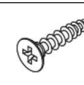
<b>Product Name:</b>	TV STAND
----------------------	----------

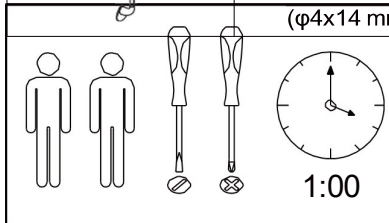
This product has been manufactured with the highest standards of safety and quality.

**PLEASE READ ALL INSTRUCTIONS BEFORE ASSEMBLY.**

Unpack all parts from Styrofoam and bubble wrap inside the carton to ensure there are no missing or damaged parts. If any parts are missing or damaged, do not attempt to assemble or use the product.

**Hardware:**

(A) ×34  (φ6x35 mm)	(B) ×34  (φ15x10 mm)	(C) ×30  (φ8x30 mm)	(D) ×17  (φ4x35 mm)	(E) ×6  (φ12 mm)	(F) ×8 
(G) ×2 	(H) ×18  (φ3x14 mm)	(I) ×4  (φ6x25 mm)	(J) ×1 	(K) ×4 	(L) ×4  (φ4x22 mm)
(M) ×2 	(N) ×8  (φ4x14 mm)	(O) ×4  (φ4x10 mm)	(P) ×2 	(Q) ×12  (φ3x12 mm)	



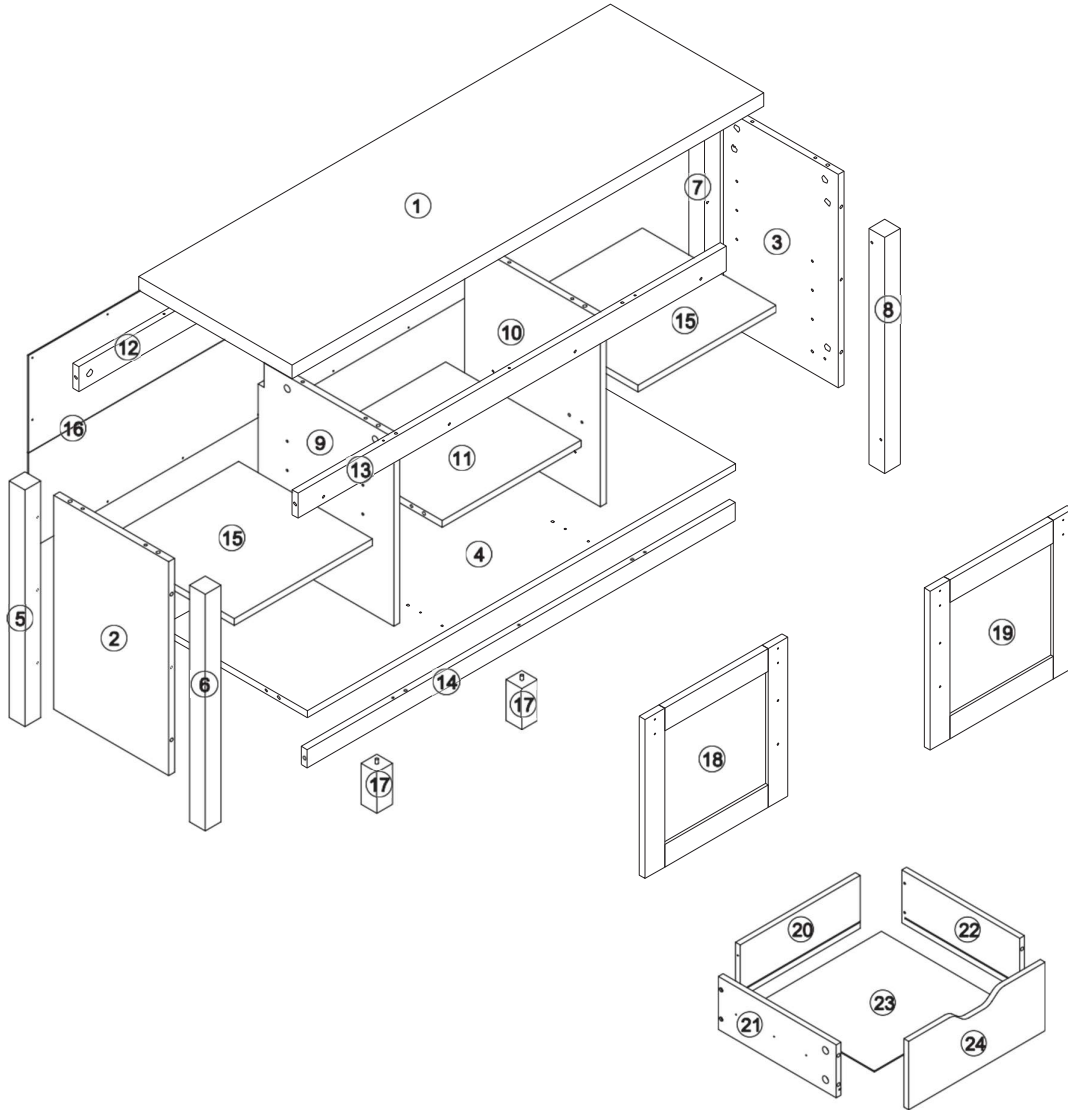
**Tools required for assembly:** Philips screwdriver and Flathead Screwdriver (if using power tools, use with care)

# Instruction Manual

Please save this manual for future reference.

Product Name:	TV STAND
---------------	----------

Panels:



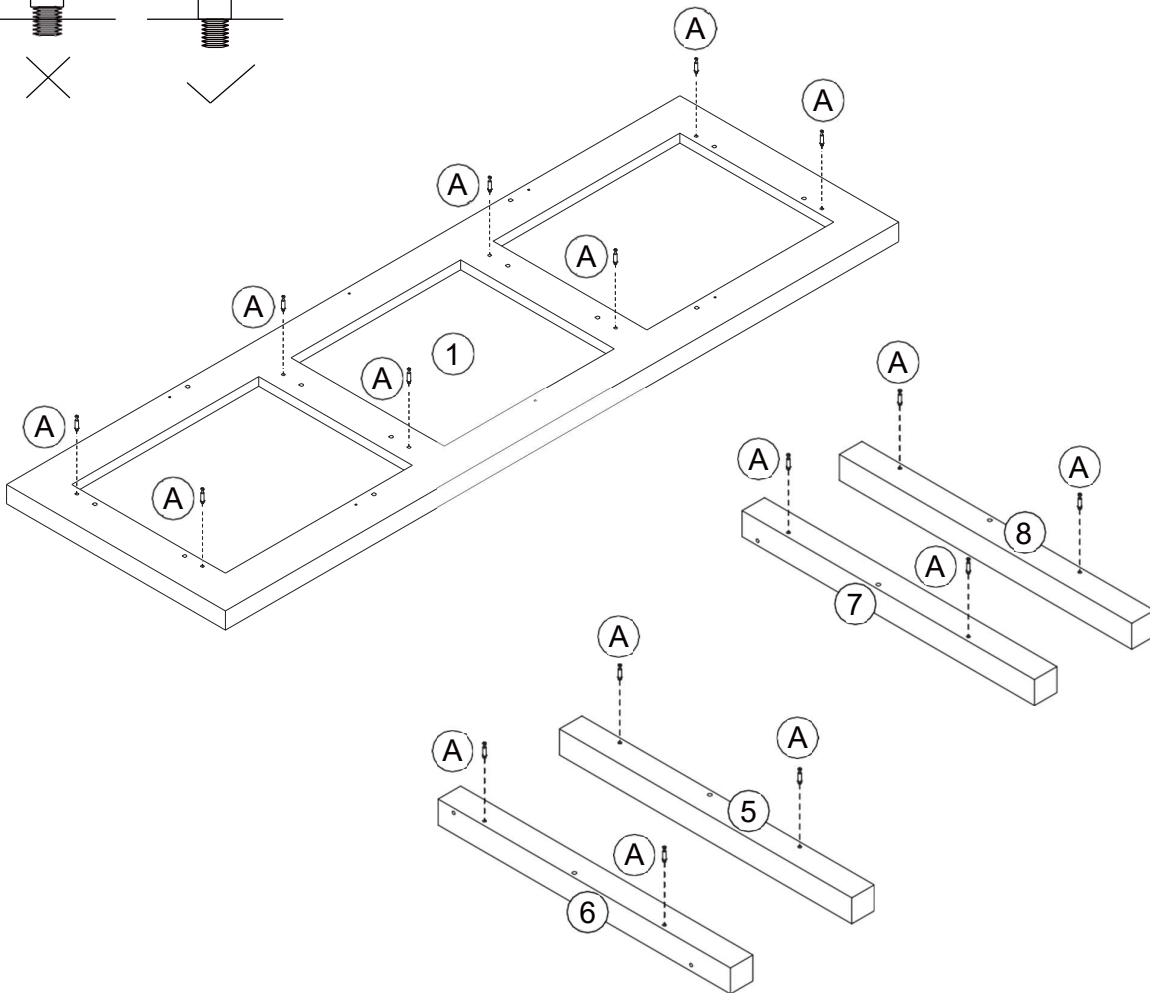
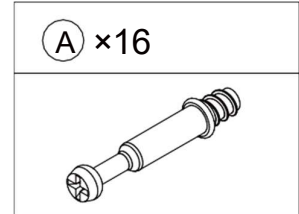
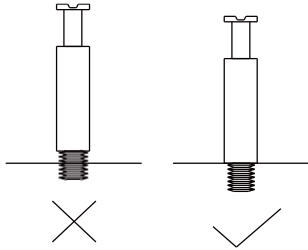
# Instruction Manual

Please save this manual for future reference.

Product Name:	TV STAND
---------------	----------

## Step 1

Make sure the pins are installed correctly as shown with the "check mark" below:

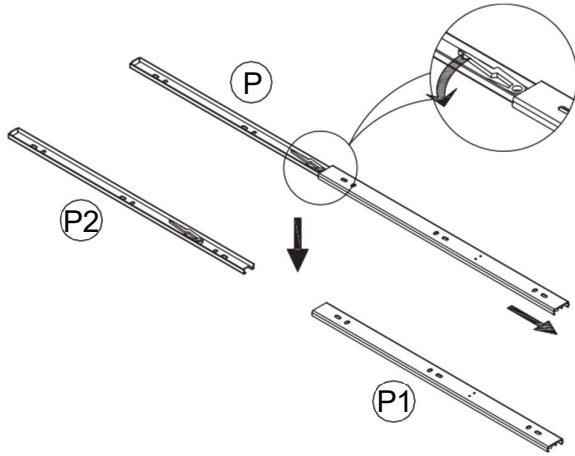


# Instruction Manual

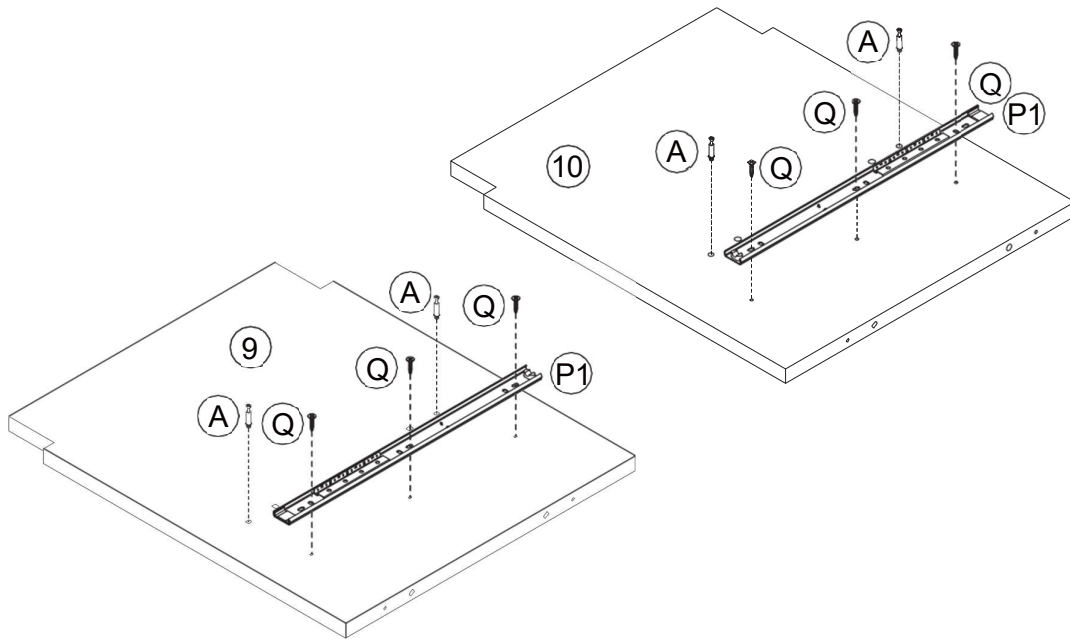
Please save this manual for future reference.

Product Name: TV STAND

## Step 2



(A) x4
(P) x2
(Q) x6



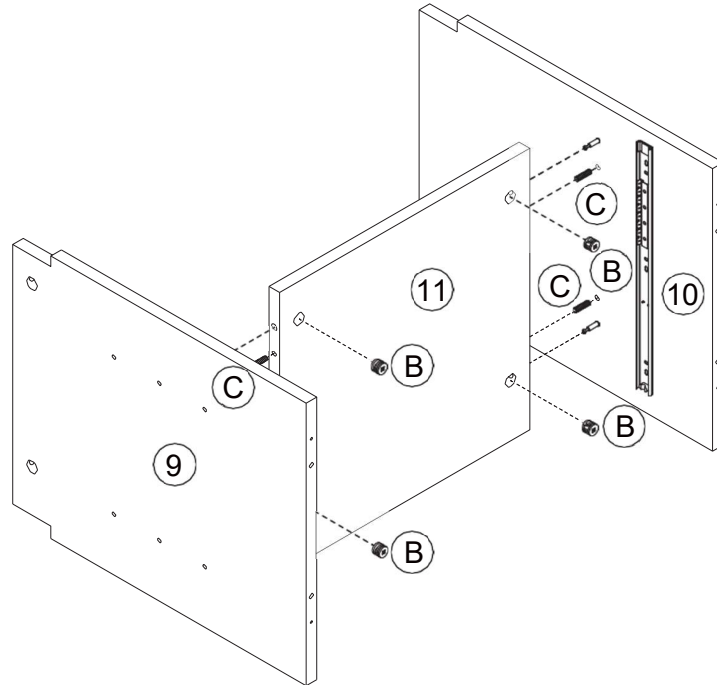
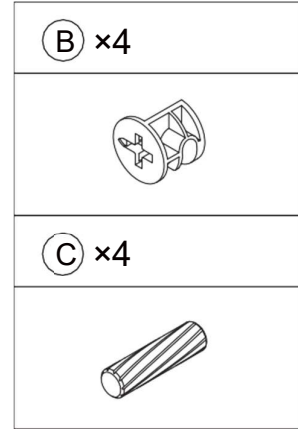
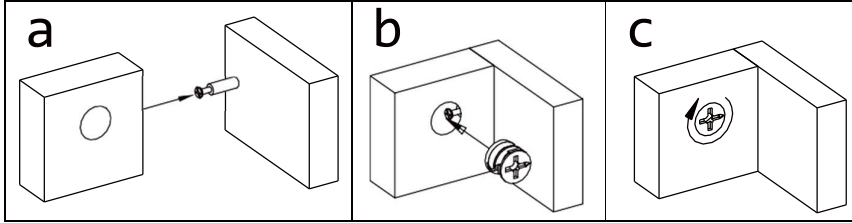
# Instruction Manual

Please save this manual for future reference.

Product Name: TV STAND

## Step 3

Below shows how the pins are used to assemble the panels together.

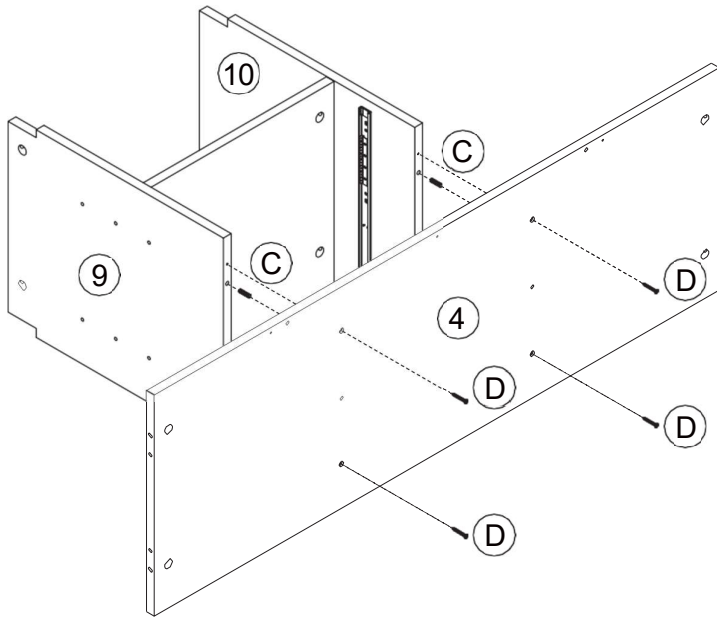


# Instruction Manual

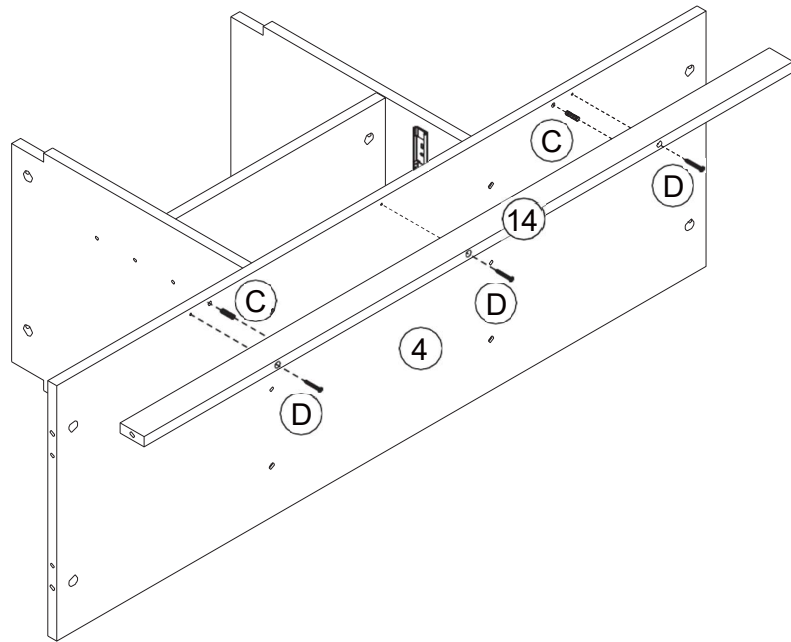
Please save this manual for future reference.

Product Name:	TV STAND
---------------	----------

## Step 4



(C) ×6
(D) ×7

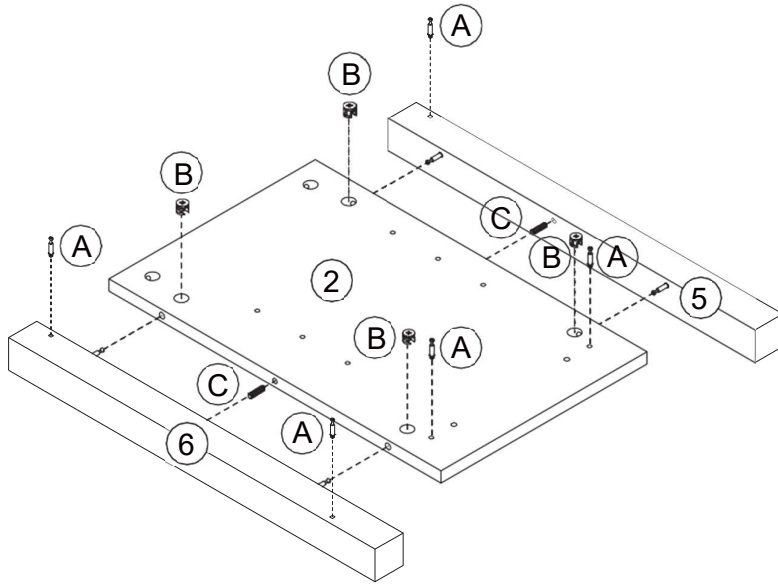


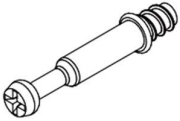
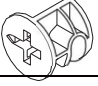

# Instruction Manual

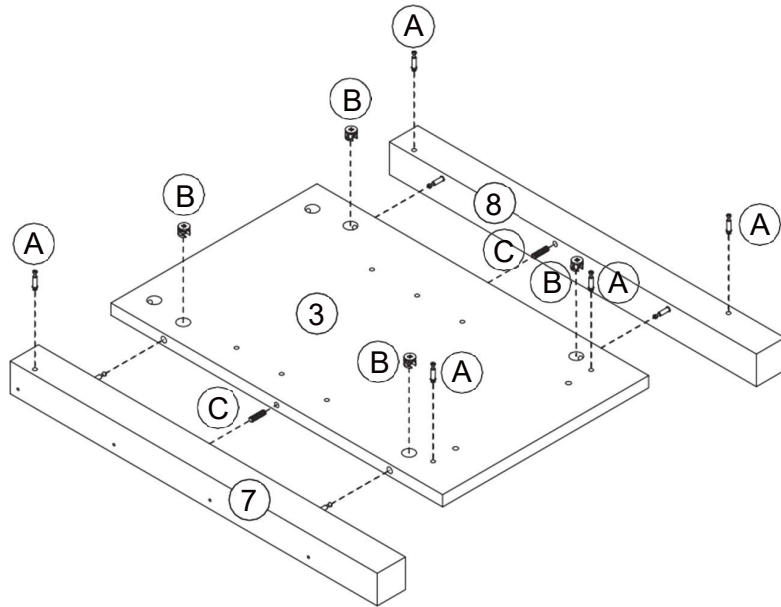
Please save this manual for future reference.

Product Name: TV STAND

## Step 5



(A) ×10

(B) ×8

(C) ×4


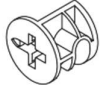
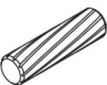



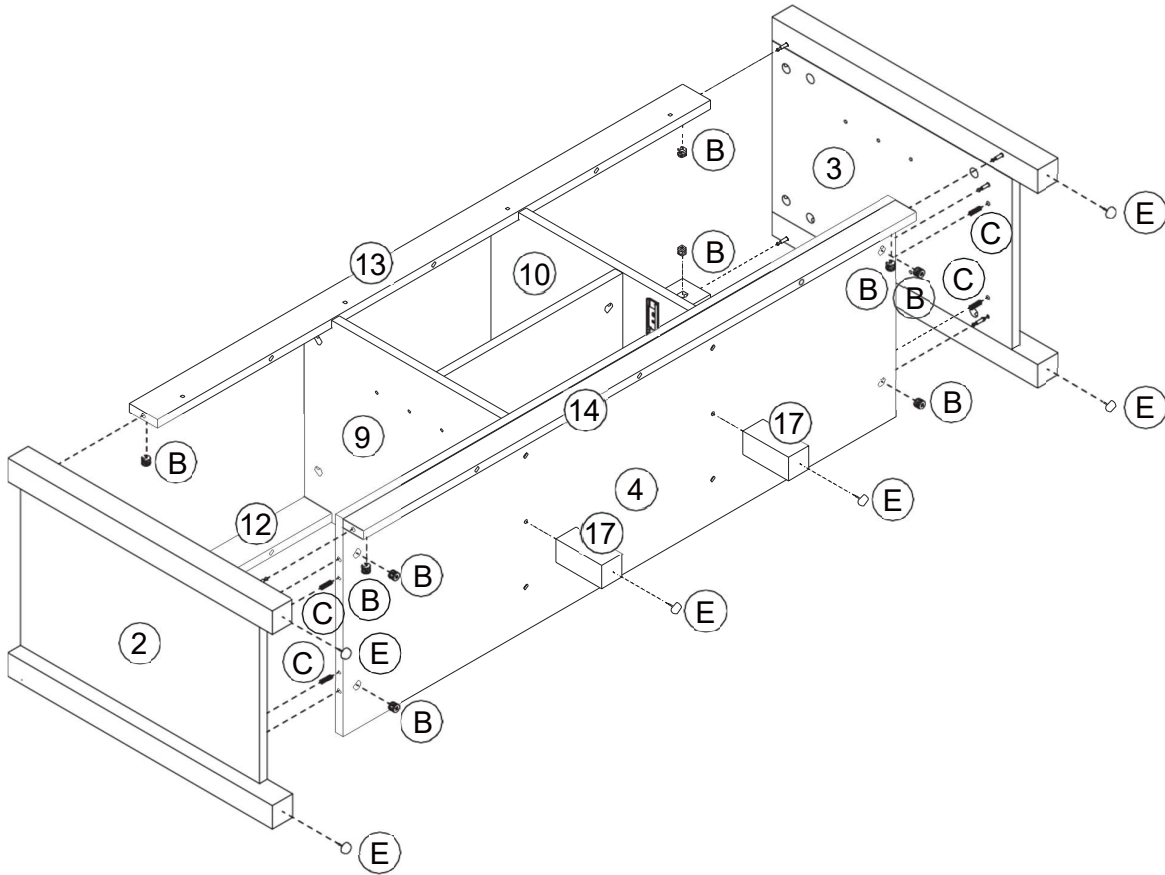
# Instruction Manual

Please save this manual for future reference.

Product Name:	TV STAND
---------------	----------

## Step 6

(B) ×10	(C) ×4	(E) ×6
		

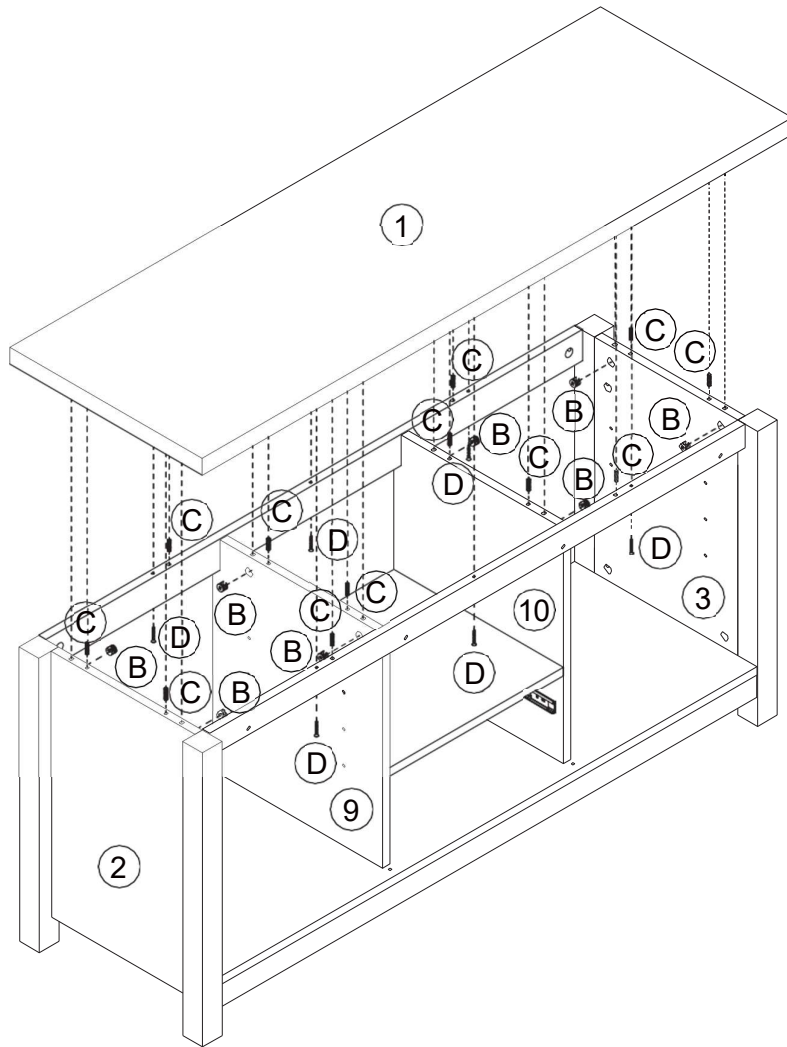


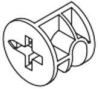
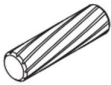

# Instruction Manual

Please save this manual for future reference.

Product Name:	TV STAND
---------------	----------

## Step 7



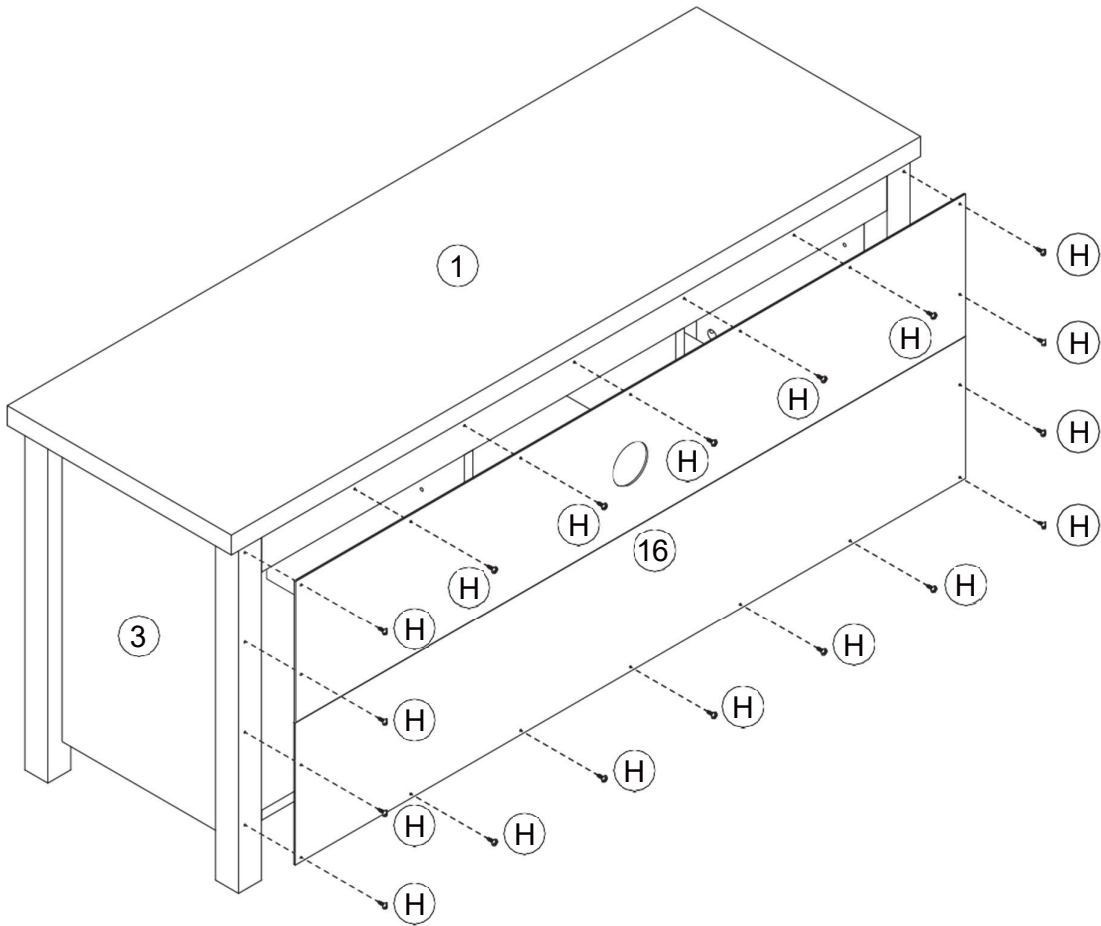
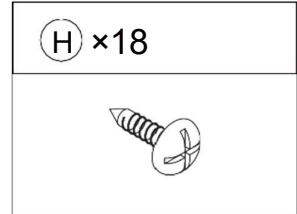
ⓑ × 8

ⓒ × 12

ⓓ × 6


# Instruction Manual

Please save this manual for future reference.

Product Name:	TV STAND
---------------	----------

## Step 8

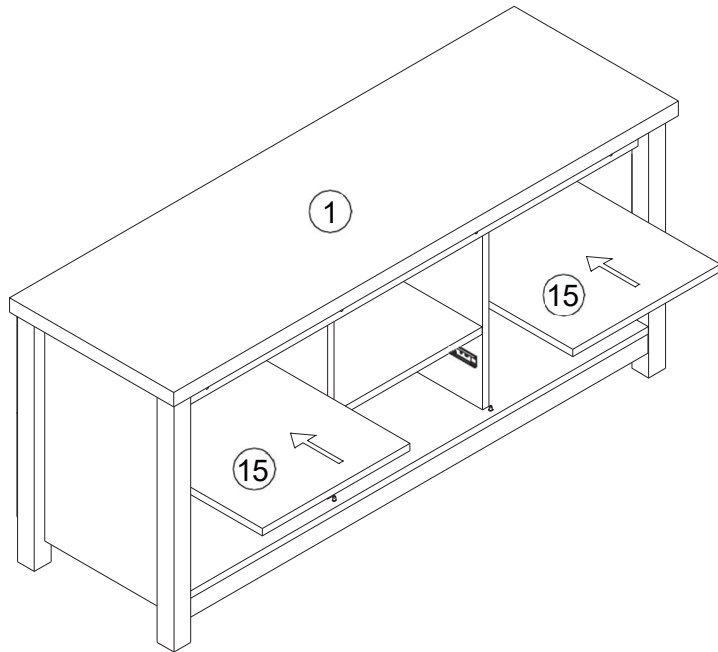
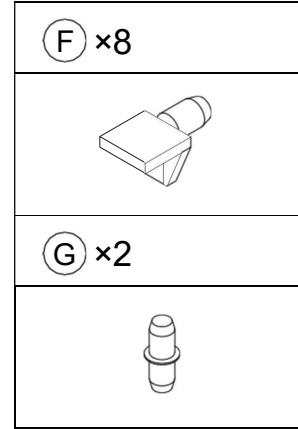
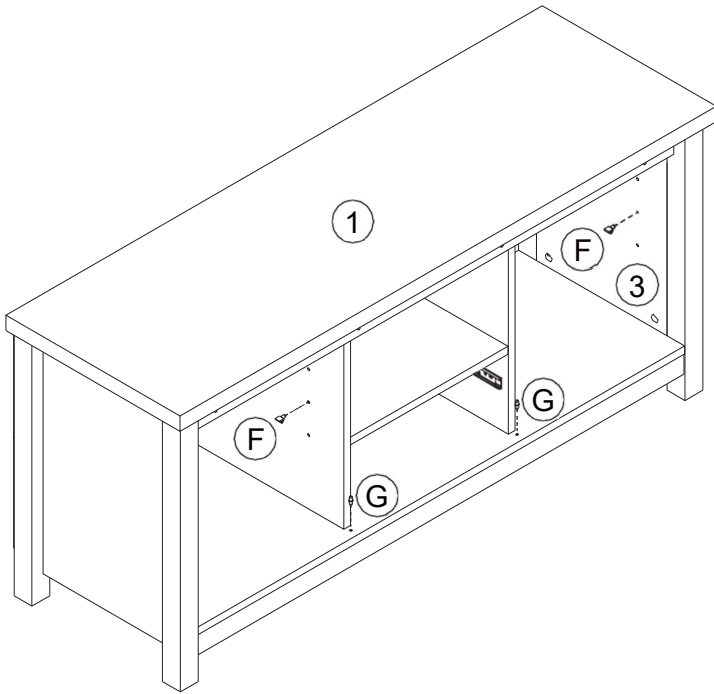


# Instruction Manual

Please save this manual for future reference.

Product Name:	TV STAND
---------------	----------

## Step 9

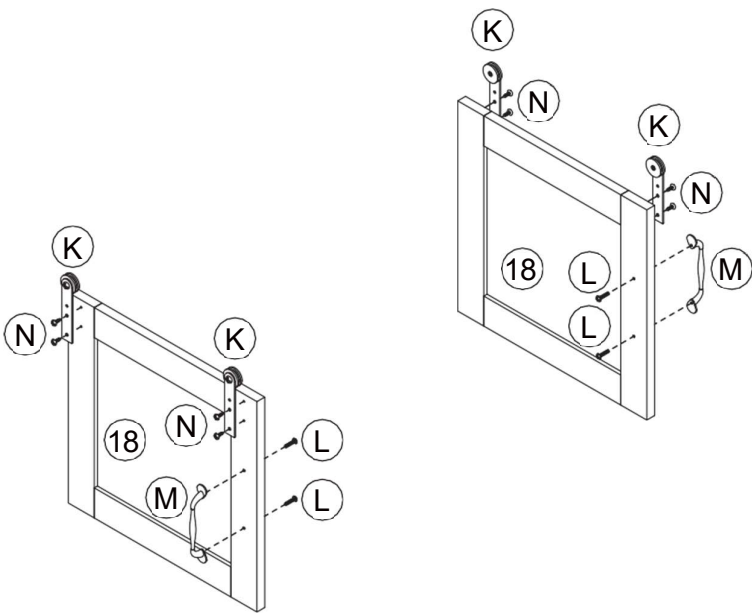
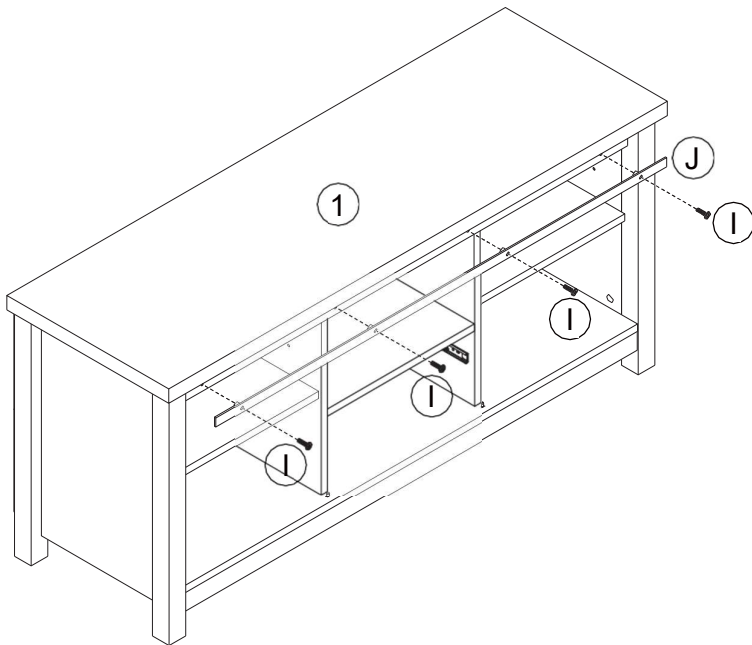




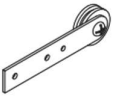



# Instruction Manual

Please save this manual for future reference.

Product Name: TV STAND

## Step 10



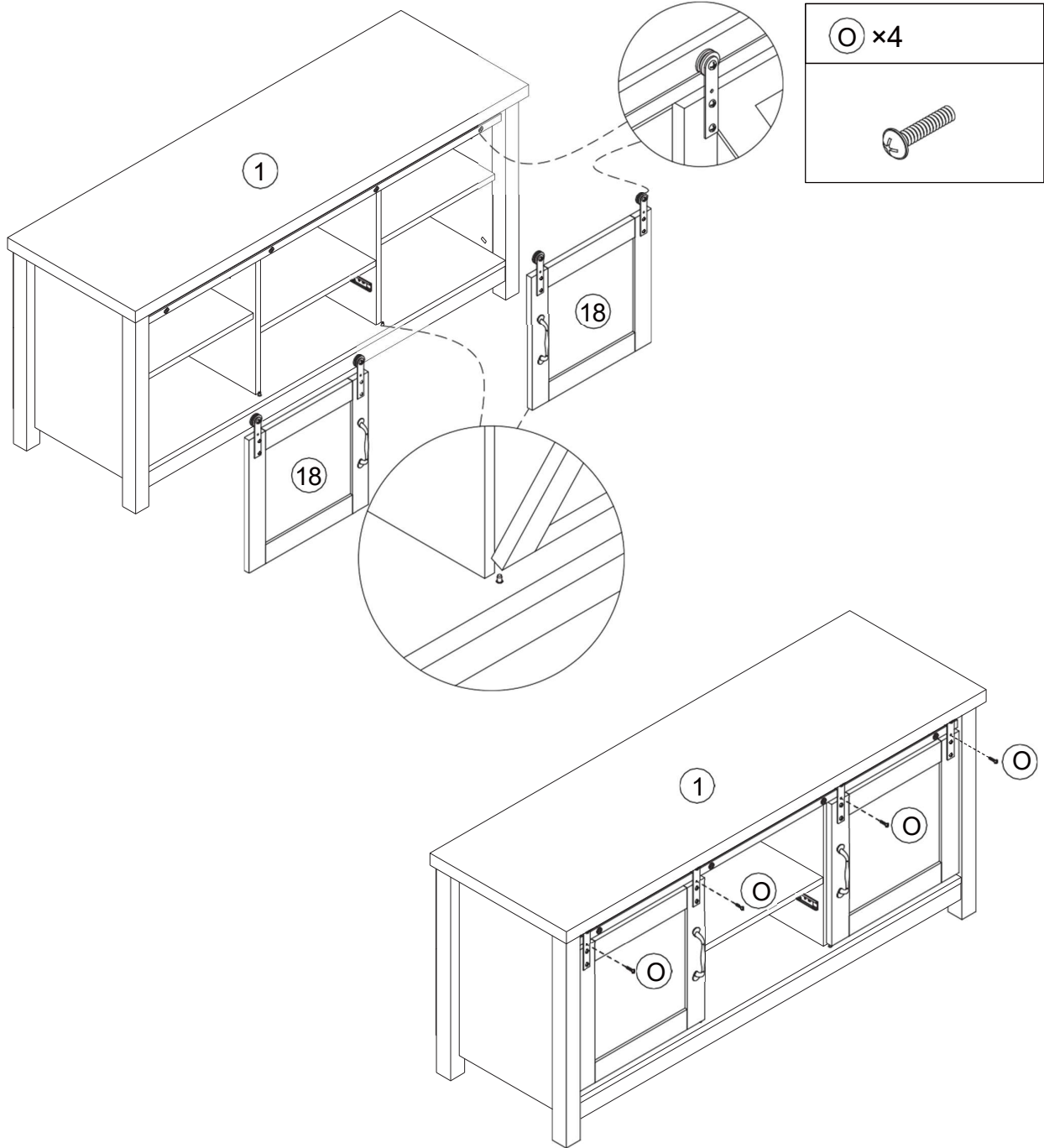
Ⓢ ×4

Ⓣ ×1

Ⓚ ×4

Ⓛ ×4

Ⓜ ×2

Ⓝ ×8


# Instruction Manual

Please save this manual for future reference.

Product Name:	TV STAND
---------------	----------

## Step 11

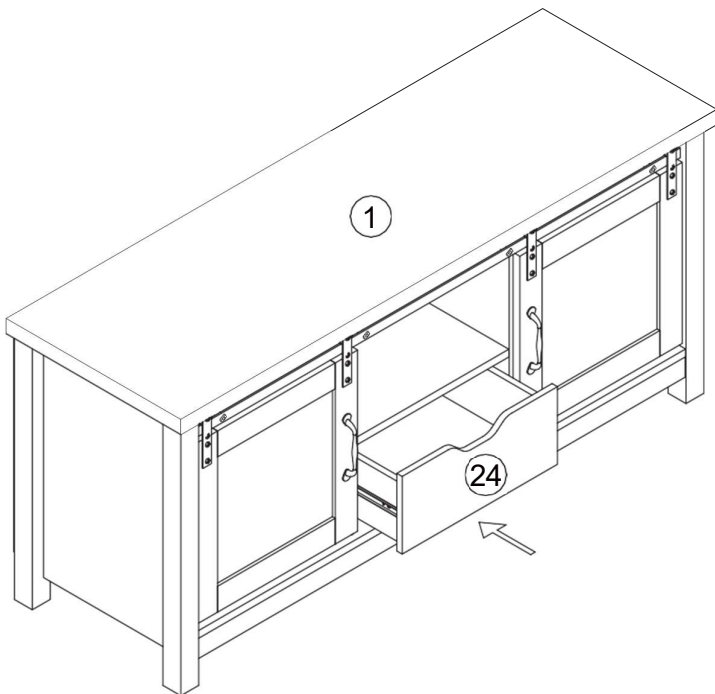
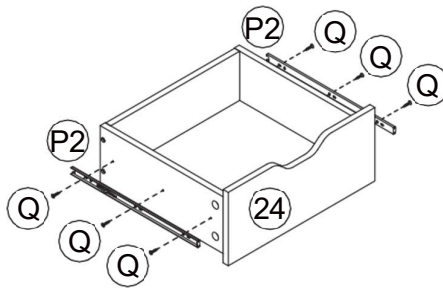
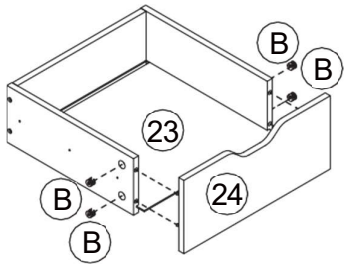
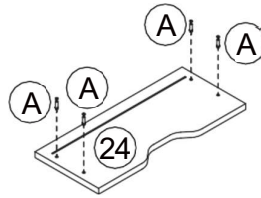
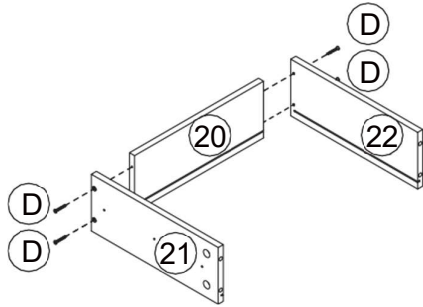


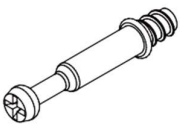



# Instruction Manual

Please save this manual for future reference.

Product Name: TV STAND

## Step 12



(A) x4

(B) x4

(D) x4

(P2) x2

(Q) x6
