

# **INSTALLATION**

## *Product Manual*

Version: 590045US-01-25A-SJH



### **IMPORTANT INFORMATION!**

please read the entire manual before starting to assemble and/or using this product. follow the manual thoroughly and keep it for further reference.



### **AVOID SCRATCHES!**

In order to avoid scratching this furniture should be assembled on a soft layer- could be a rug.



### **IMPROVE EFFICIENCY !**

Try to find a partner to install with you, which can speed up the installation efficiency and shorten the time.



### **ANTI-TOPPLE WARNING !**

Overturnd furniture can cause serious or fatal crush injuries. To prevent tipping over, be sure to use the wall attachment, if not included with this product. Please purchase the wall attachment that fit your wall. If unsure, seek professional advice. Please read and follow each step of the instructions carefully.

### **IMPORTANT !**

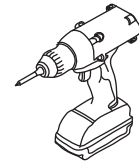
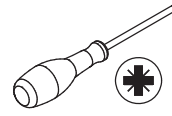
It is important that any product which is assembled using any kind of screw is re-tightened 2 weeks after assembly, and once every 3 months - in order to assure stability through-out the lifespan of the product.

For regular maintenance and cleaning of the product, for the frame, please use a rag dipped in neutral detergent to fully wipe it, and then dry it with a clean rag. For glass materials, wipe with a rag dampened with water glass cleaner, and then dry with a dry rag.

Do not use an electric screwdriver, and do not use too much force when installing, because the board is easy to break.

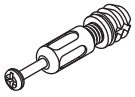


Please prepare the following tools



When installing, please carefully confirm whether each screw corresponds to the manual, accessories with similar shapes can be distinguished by size

A x 88



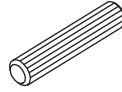
M7 x 40 mm

B x 88



Ø 15 x 11 mm

C x 63



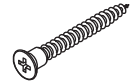
Ø 8 x 40 mm

D x 29



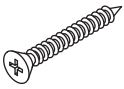
Ø 3.5 x 14 mm

E x 10



Ø 7 x 40 mm

F x 6



M4 x 35 mm

G x 1



M4 x 20 mm

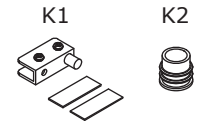
H x 3



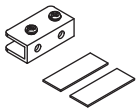
J x 24



K x 4



M x 2



P x 1



Q x 1



R x 2



S x 2



T x 2



CL x 1



CR x 1



DL x 1



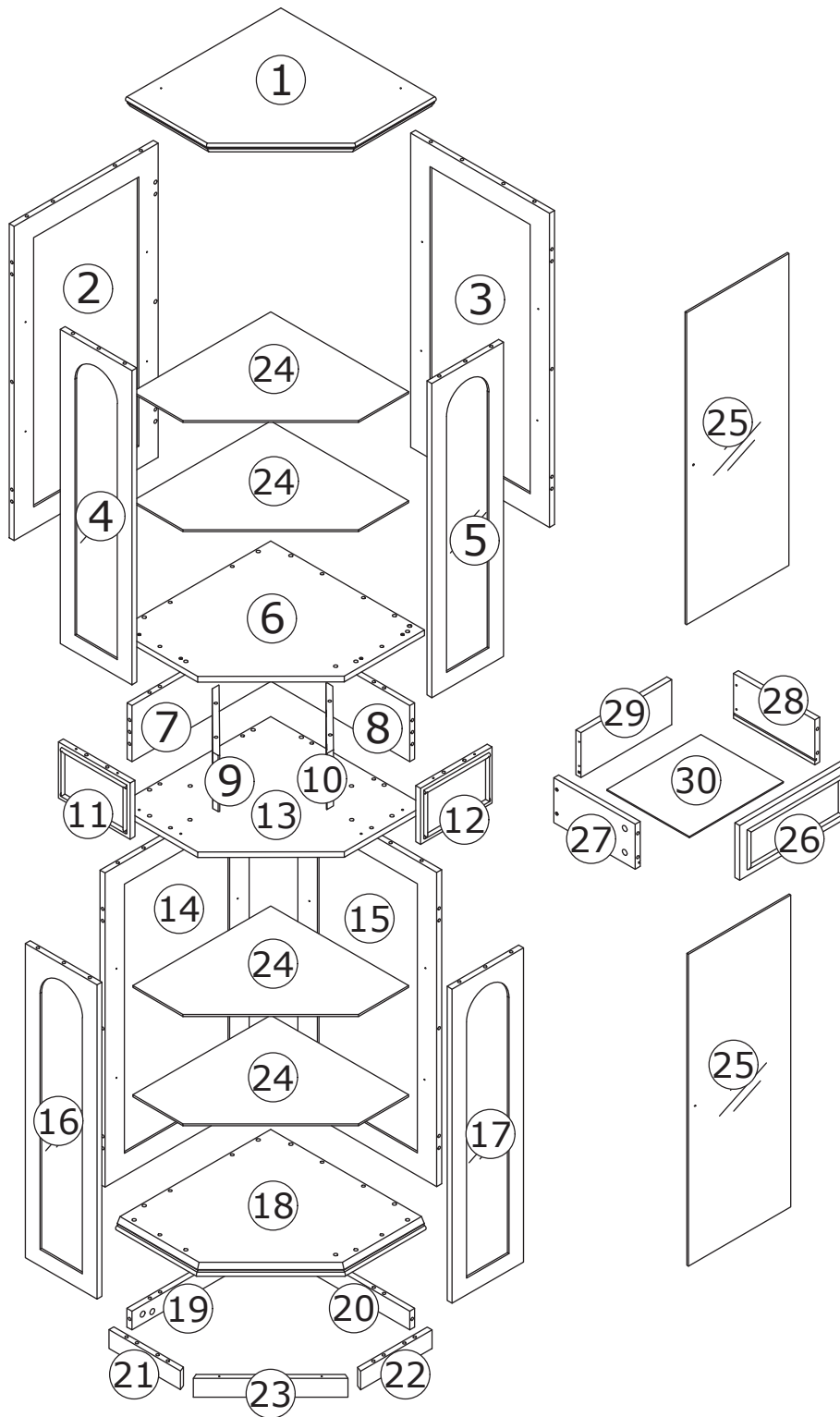
DR x 1



U x 2



M4 x 10 mm



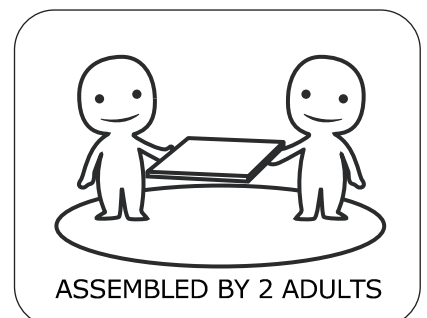
## ⚠ WARNING

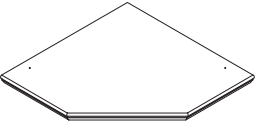
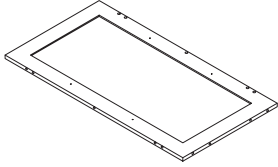
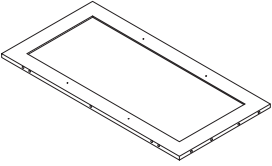
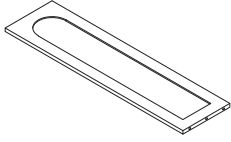
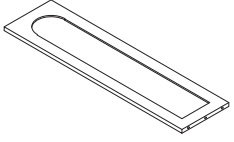
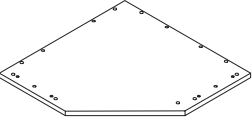
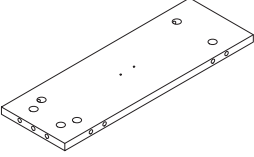
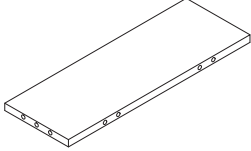
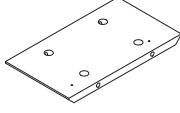
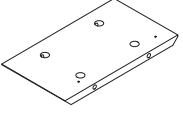
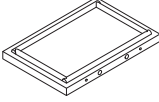
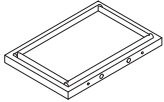
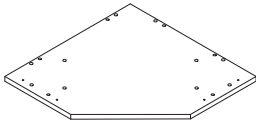
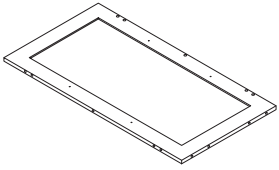
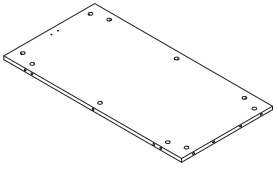
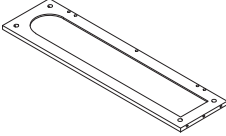
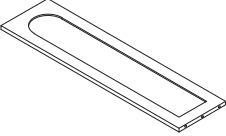
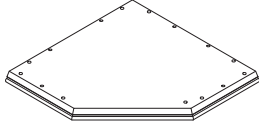
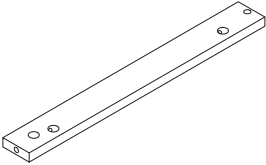
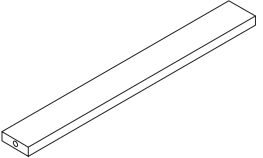
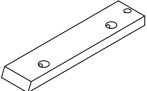
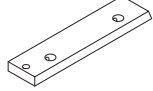
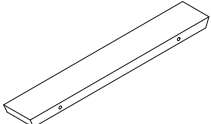
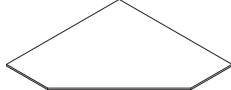
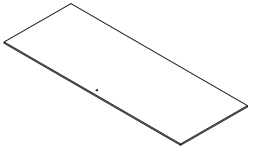
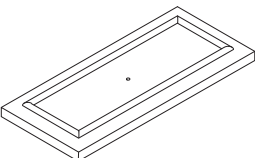
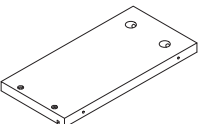
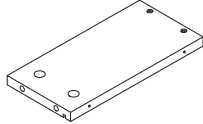
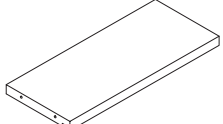
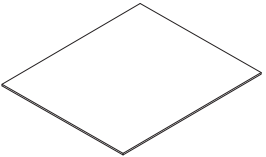


**Children have died from furniture tipover. To reduce the risk of furniture tipover:**

- ALWAYS install Anti-tip device provided.
- NEVER put a TV on this product.
- NEVER allow children to stand, climb or hang on drawers, doors, or shelves.
- NEVER open more than one drawer at a time.
- Place heaviest items in the lowest drawers.

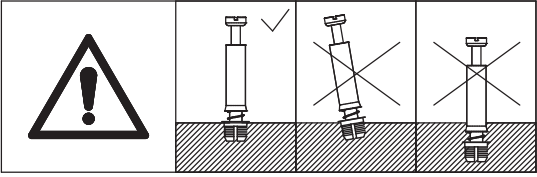
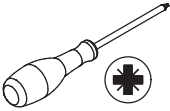
*This is a permanent label.  
Do not remove!*



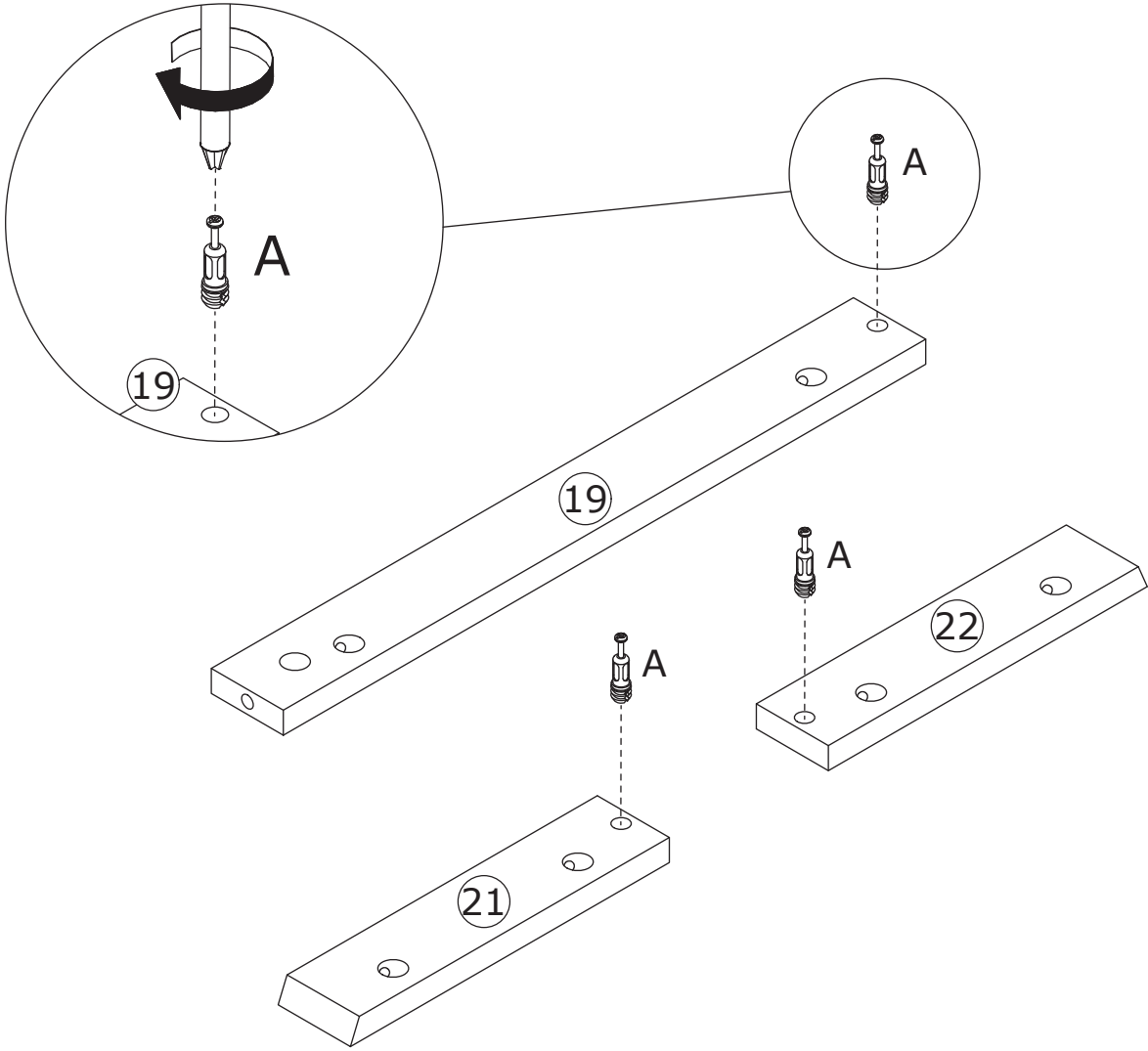
				
①x1	②x1	③x1	④x1	⑤x1
				
⑥x1	⑦x1	⑧x1	⑨x1	⑩x1
				
⑪x1	⑫x1	⑬x1	⑭x1	⑮x1
				
⑯x1	⑰x1	⑱x1	⑲x1	⑳x1
				
㉑x1	㉒x1	㉓x1	㉔x4	㉕x2
				
㉖x1	㉗x1	㉘x1	㉙x1	㉚x1

1

A x 3  
M7 x 40 mm

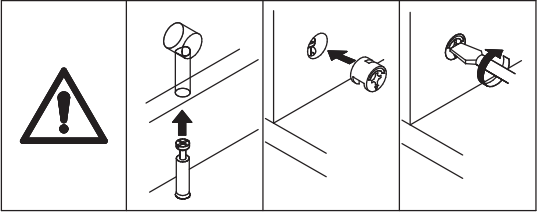


Screw eccentric rod A onto board 19, 21, and 22.

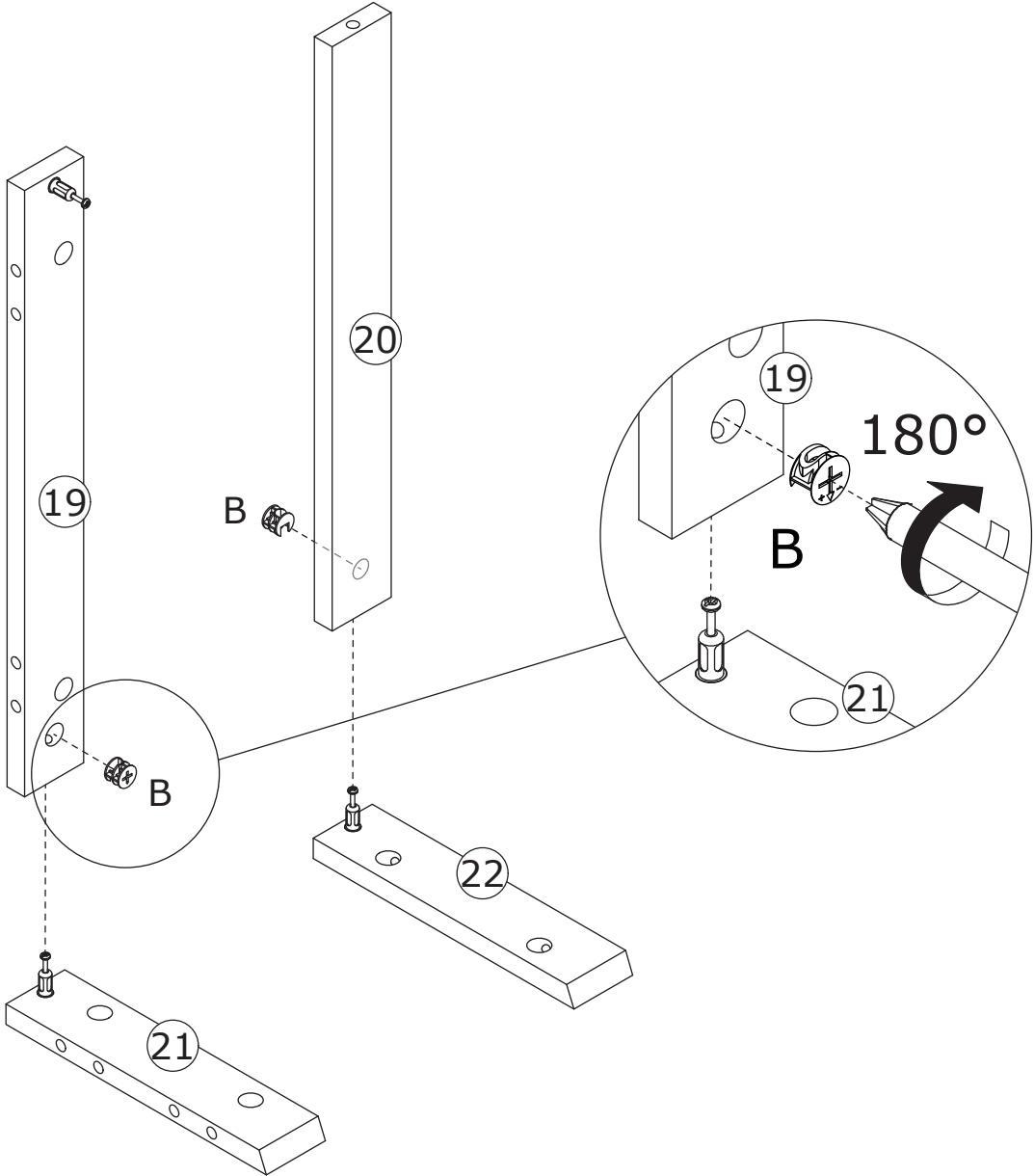


2

B x 2  
Ø15 x 11 mm

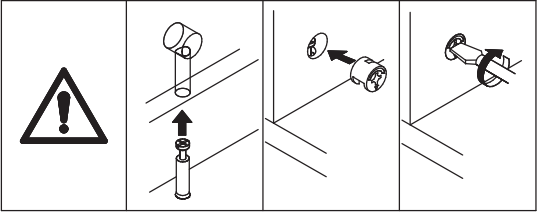


Connect board 19 and 21, board 20 and 22, tighten by turning cam lock B clockwise.

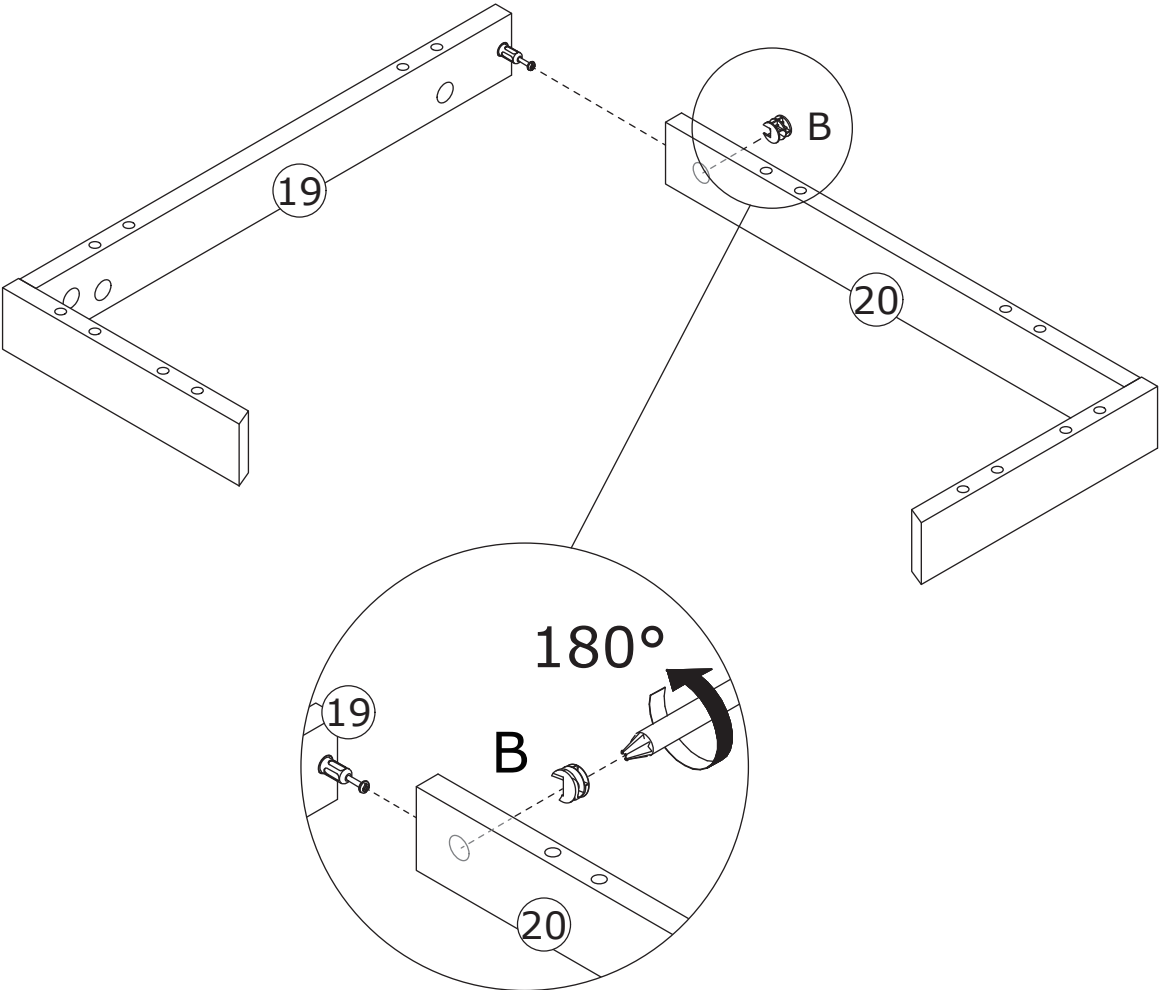


3

B x 1  
Ø15 x 11 mm

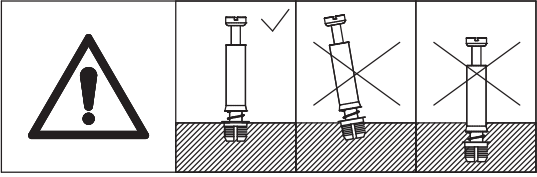
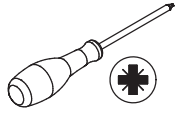


Connect board 19 and 20, tighten by turning cam lock B clockwise.

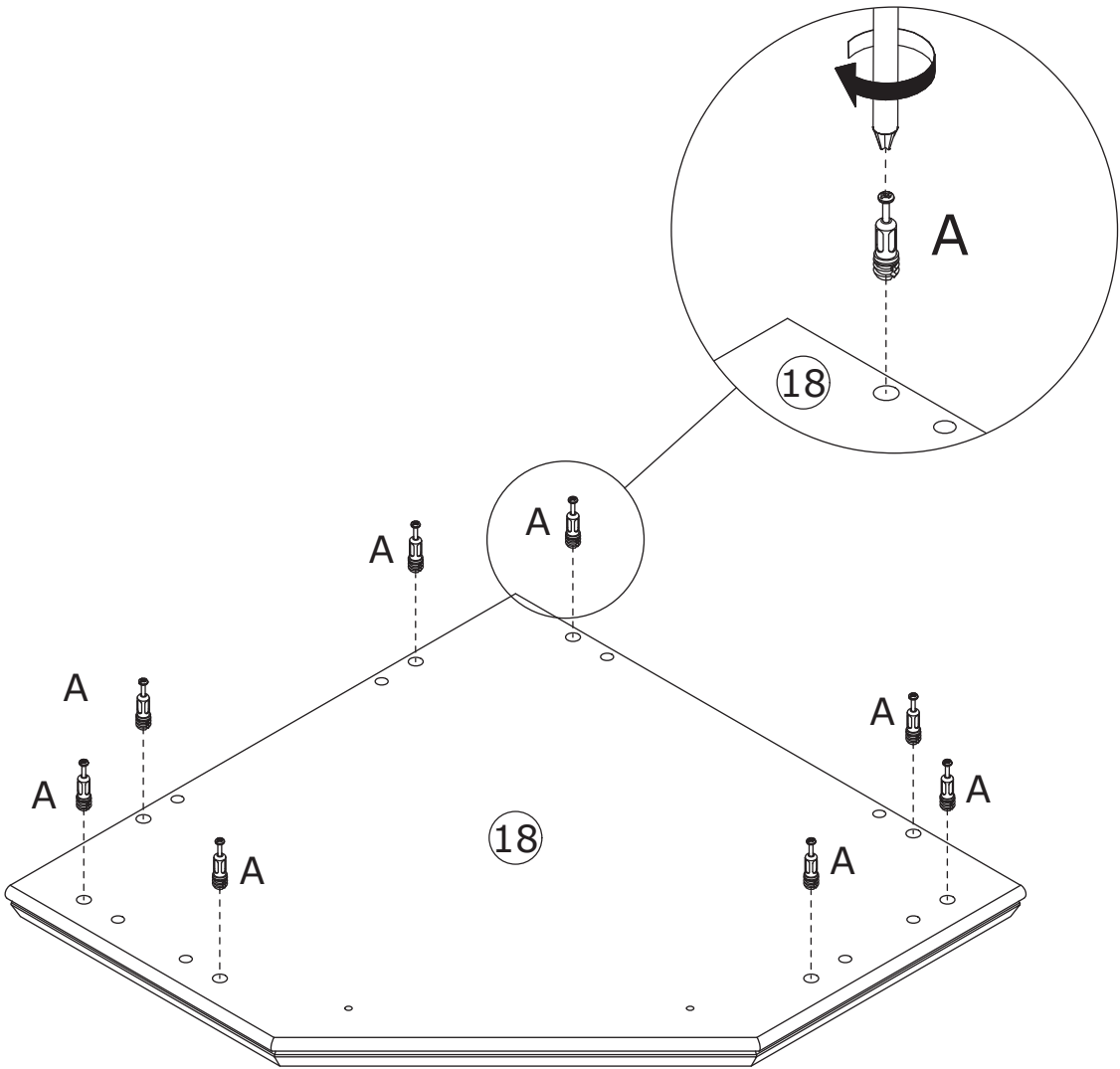


4

A x 8  
M7 x 40 mm

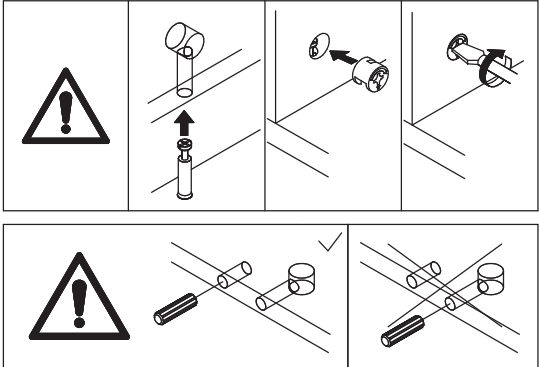


Screw eccentric rod A onto board 18.

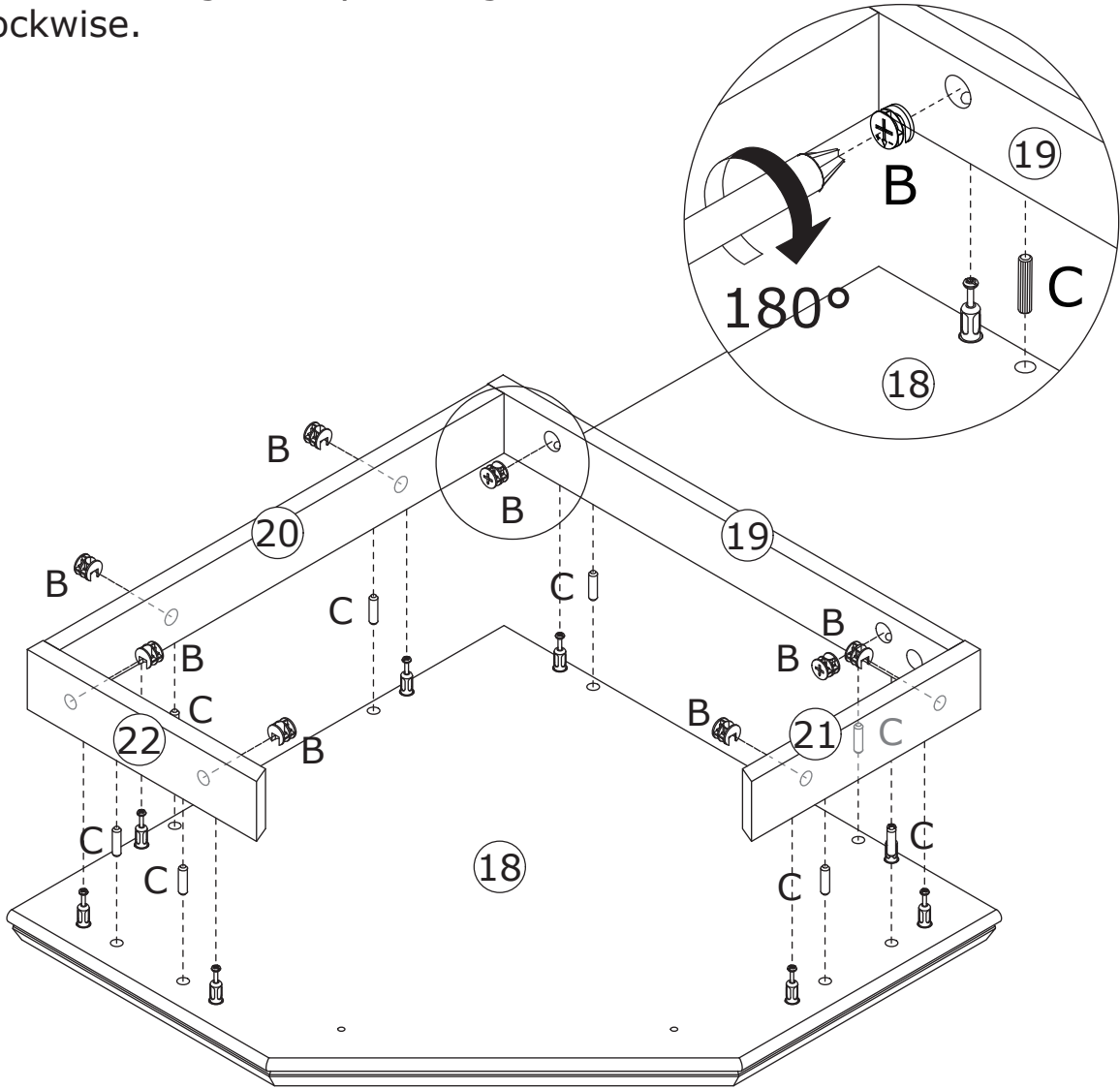


5

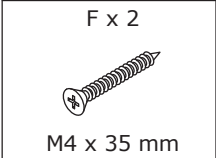
<p>B x 8</p>  <p>Ø15 x 11 mm</p>	<p>C x 8</p>  <p>Ø8 x 40 mm</p>	
---	--	---



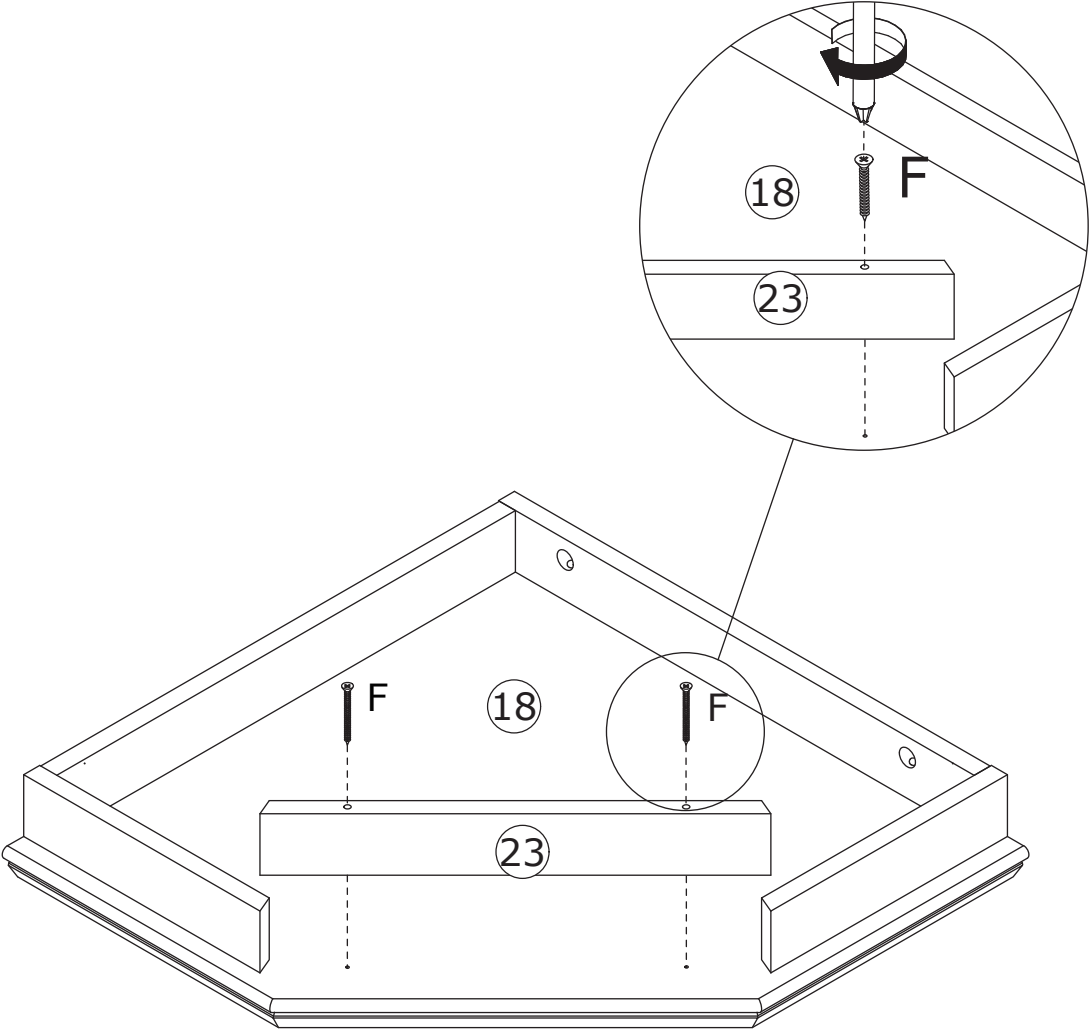
Connect board 18 to board 19, 20, 21, and 22 using dowel C, tighten by turning cam lock B clockwise.



6

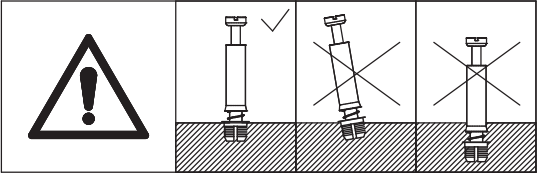
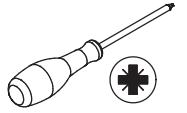


Secure board 23 to board 18 using screw F.

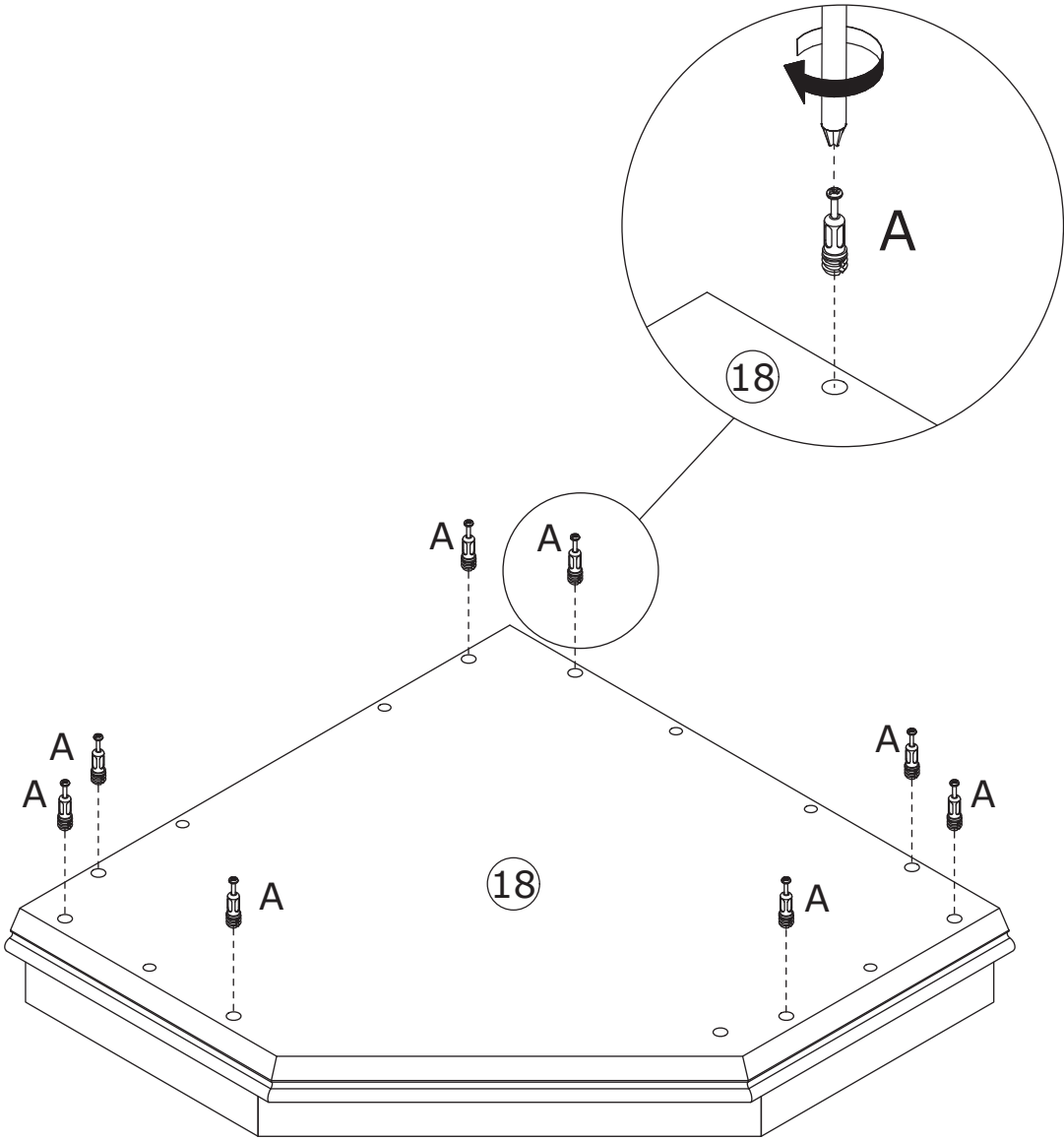


7

A x 8  
M7 x 40 mm

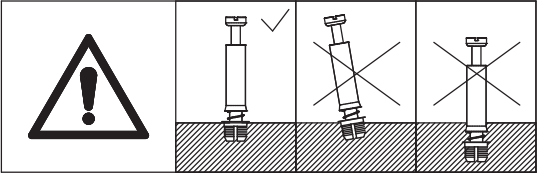


Screw eccentric rod A onto board 18.

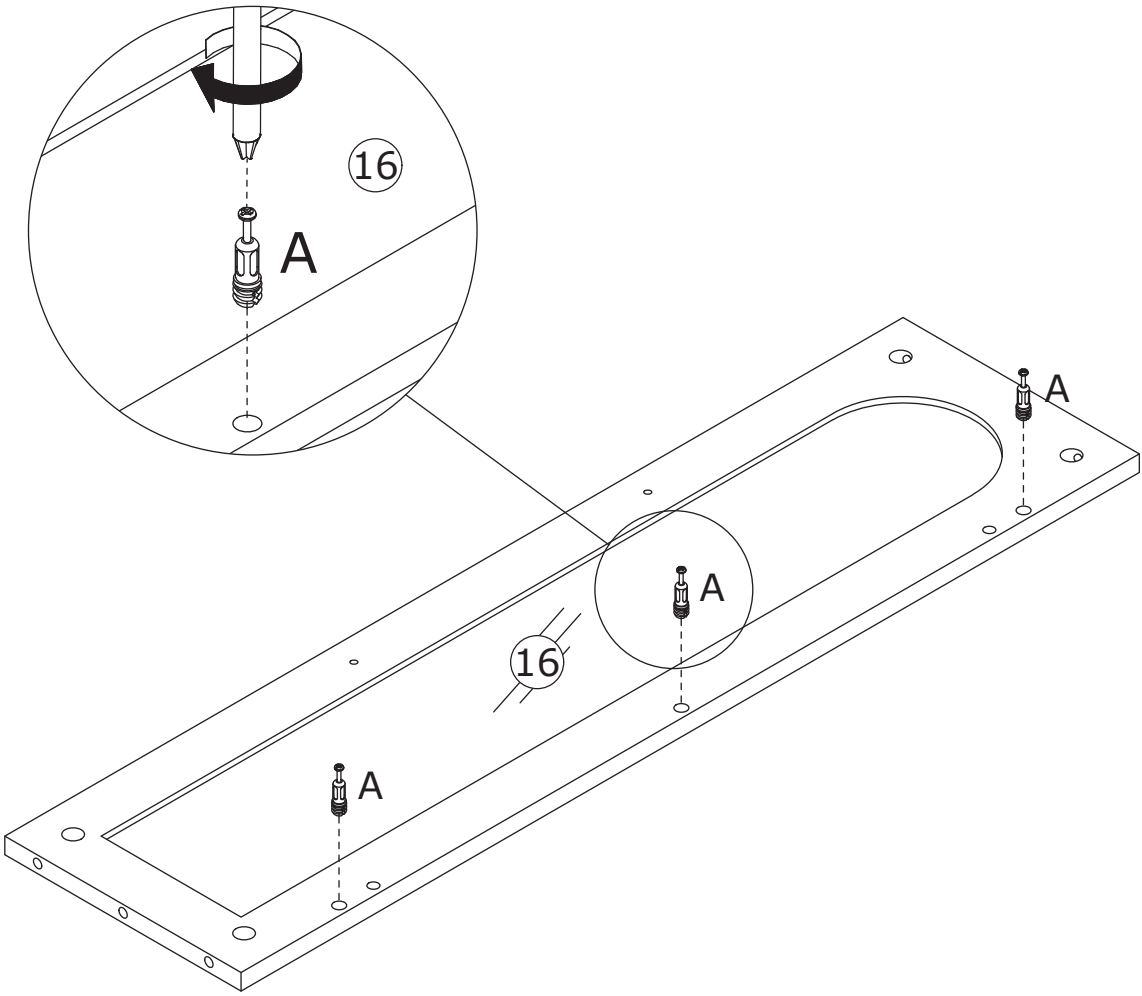


8

A x 3  
M7 x 40 mm

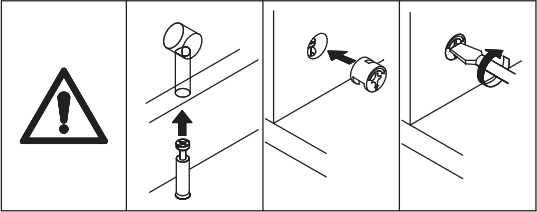


Screw eccentric rod A onto board 16.

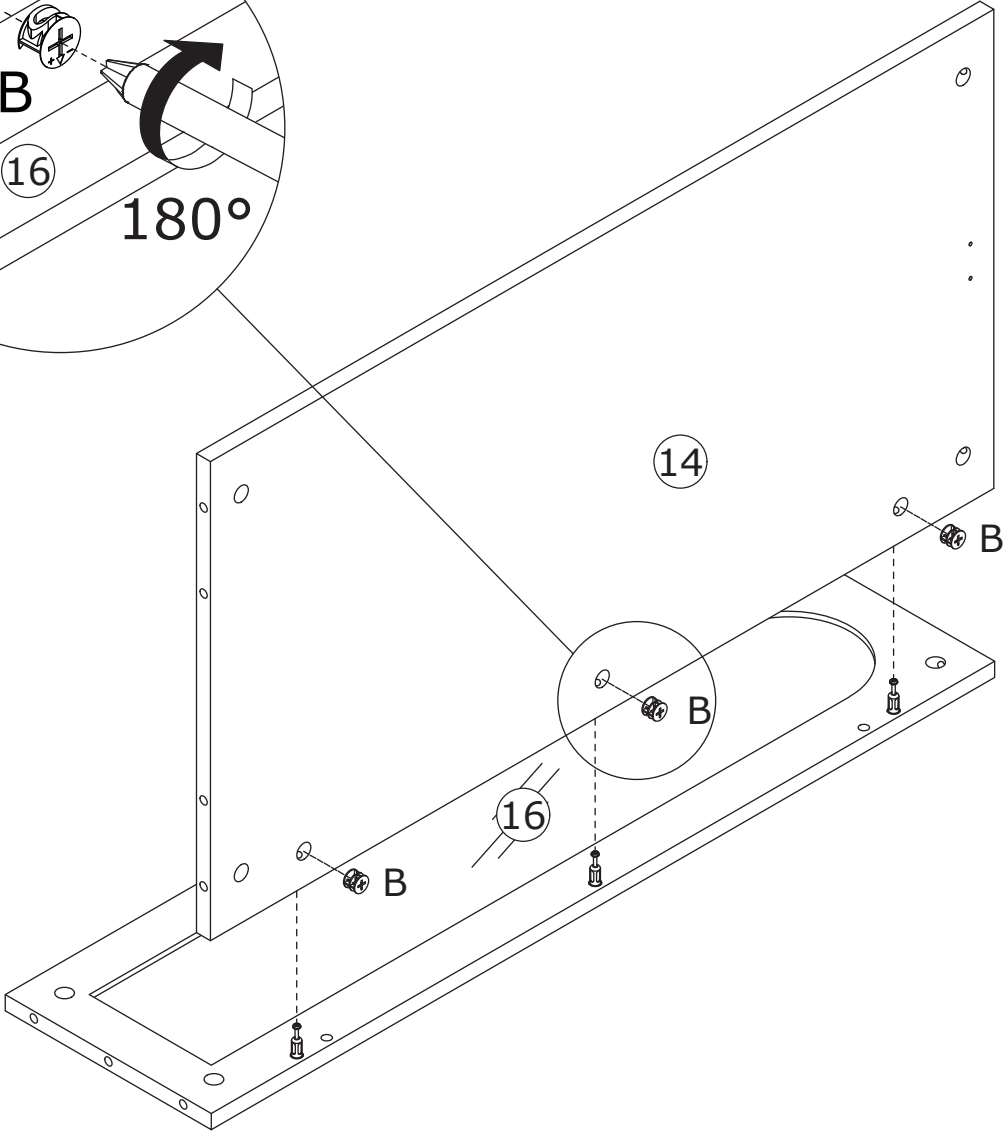
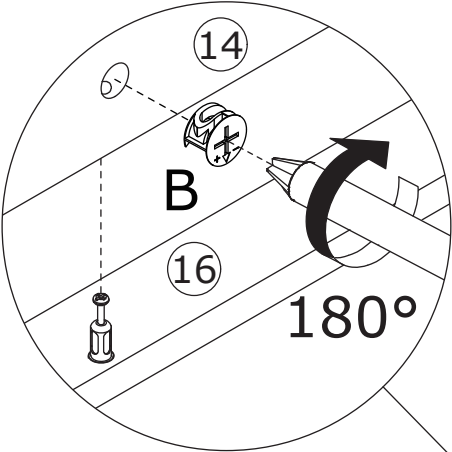


9

B x 3  
Ø15 x 11 mm

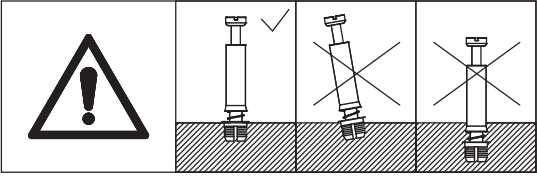


Connect board 14 and 16, tighten by turning cam lock B clockwise.

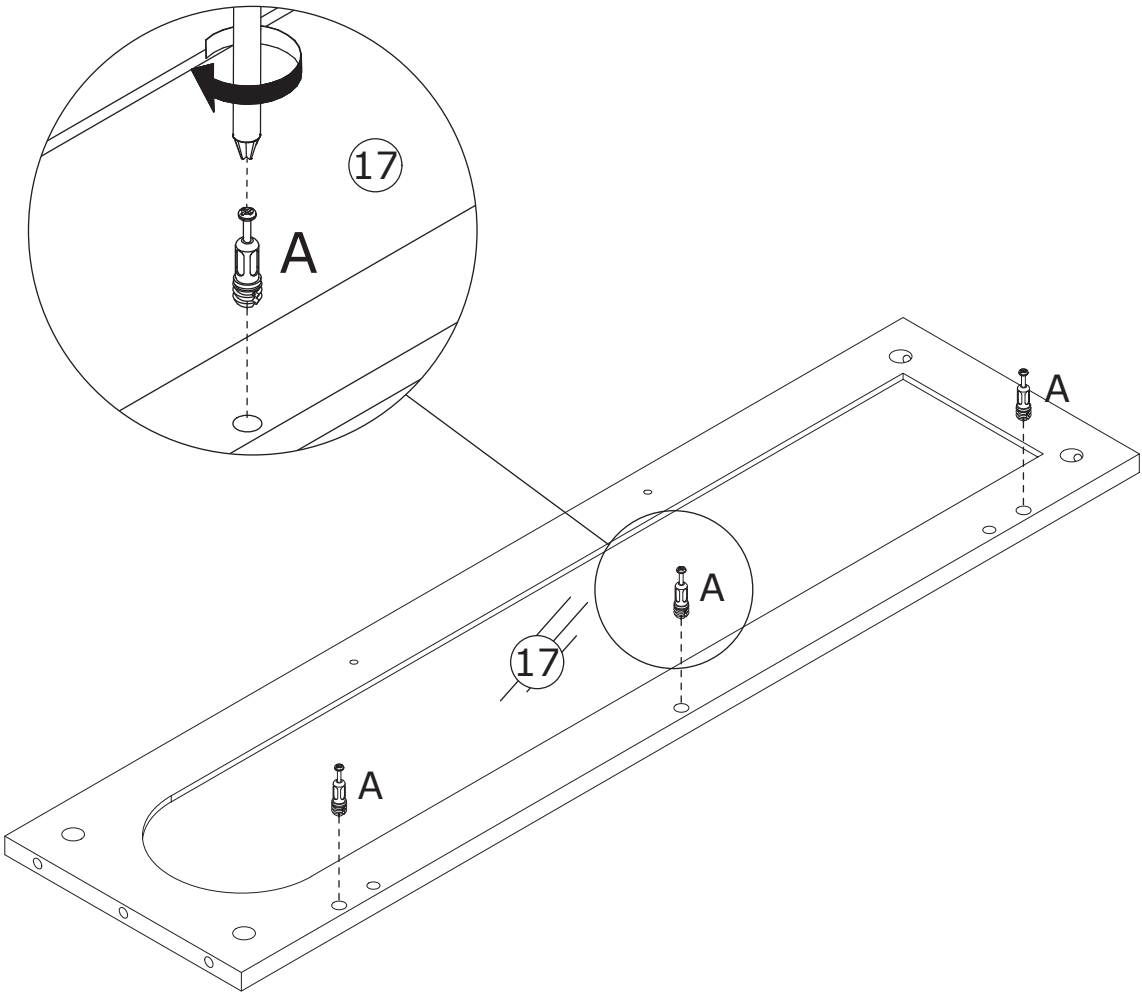


10

A x 3  
M7 x 40 mm

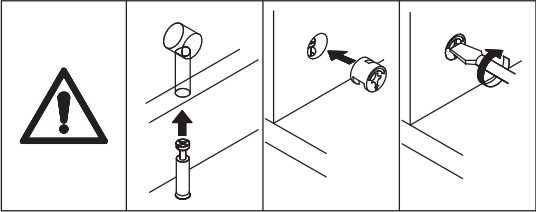


Screw eccentric rod A onto board 17.

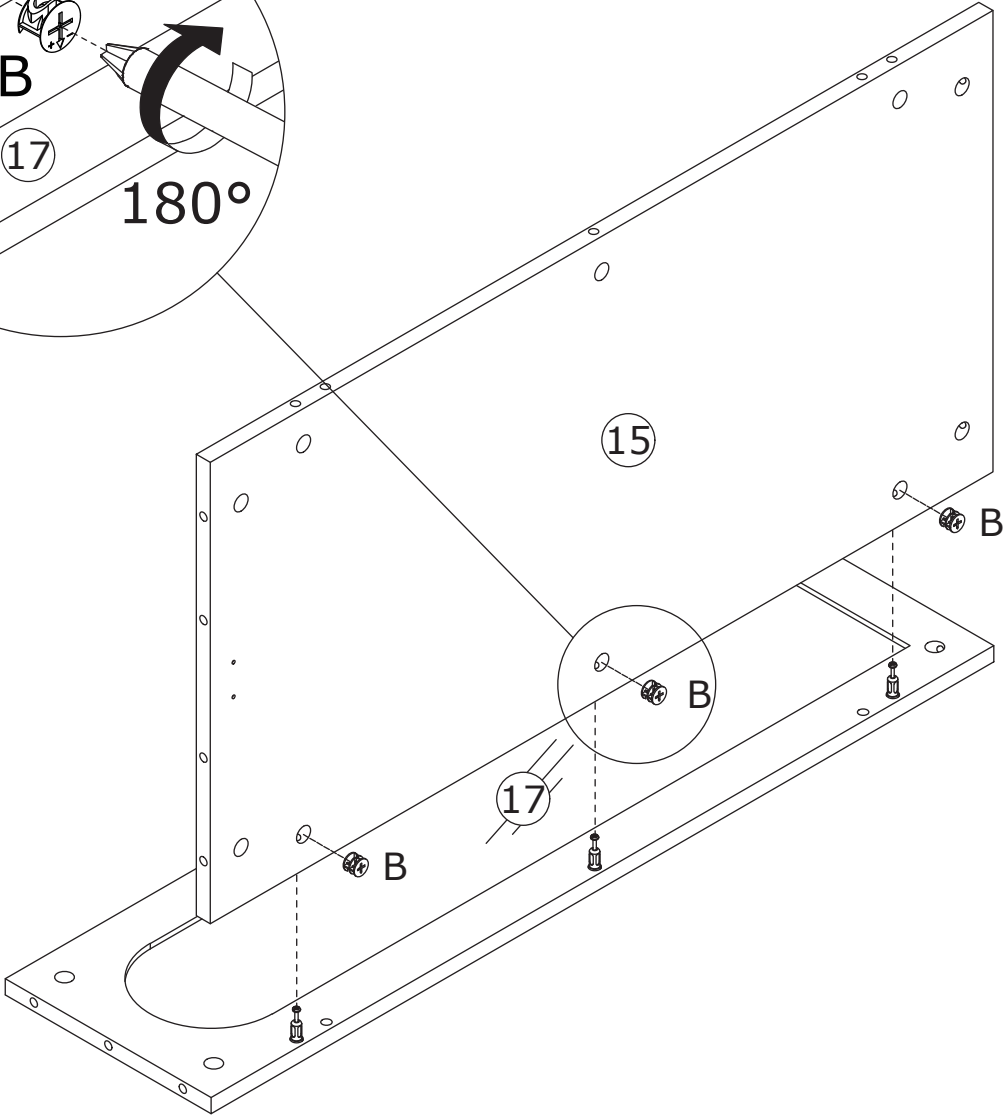
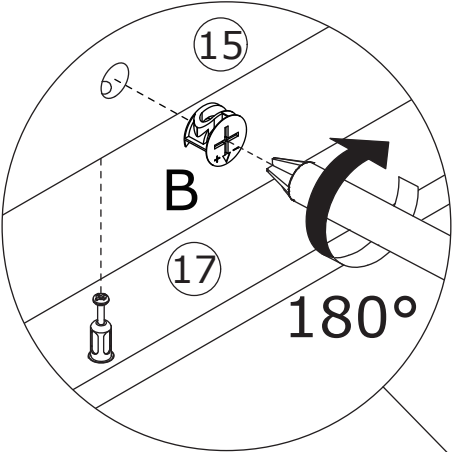


11

B x 3  
Ø15 x 11 mm

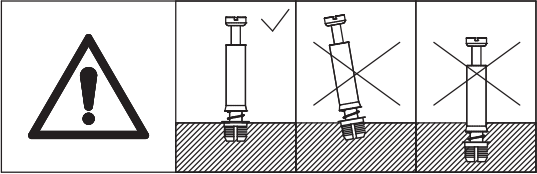
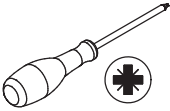


Connect board 15 and 17, tighten by turning cam lock B clockwise.

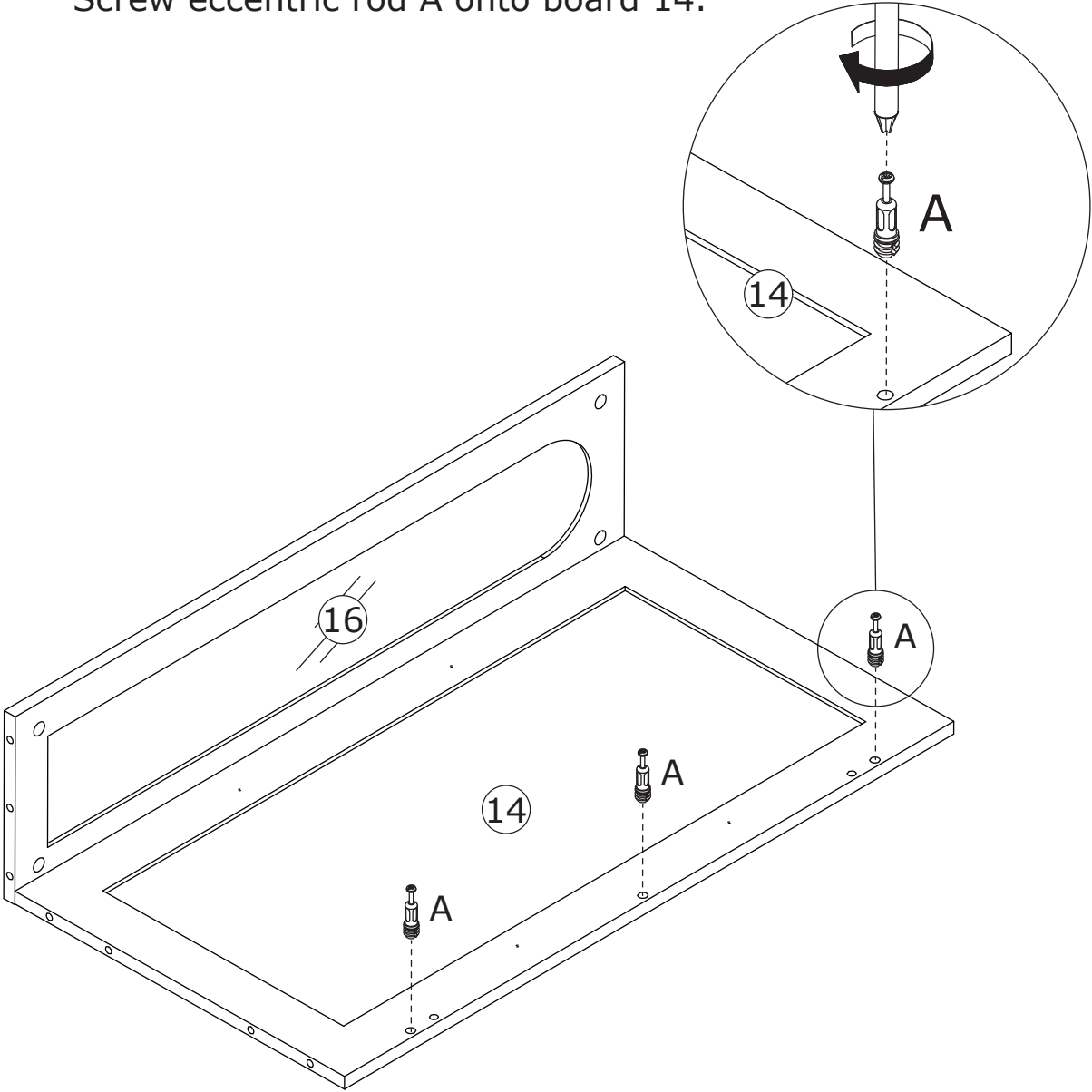


12

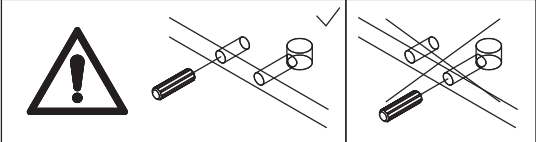
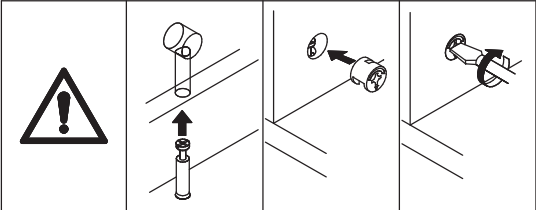
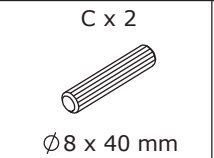
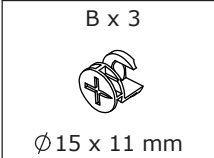
A x 3  
M7 x 40 mm



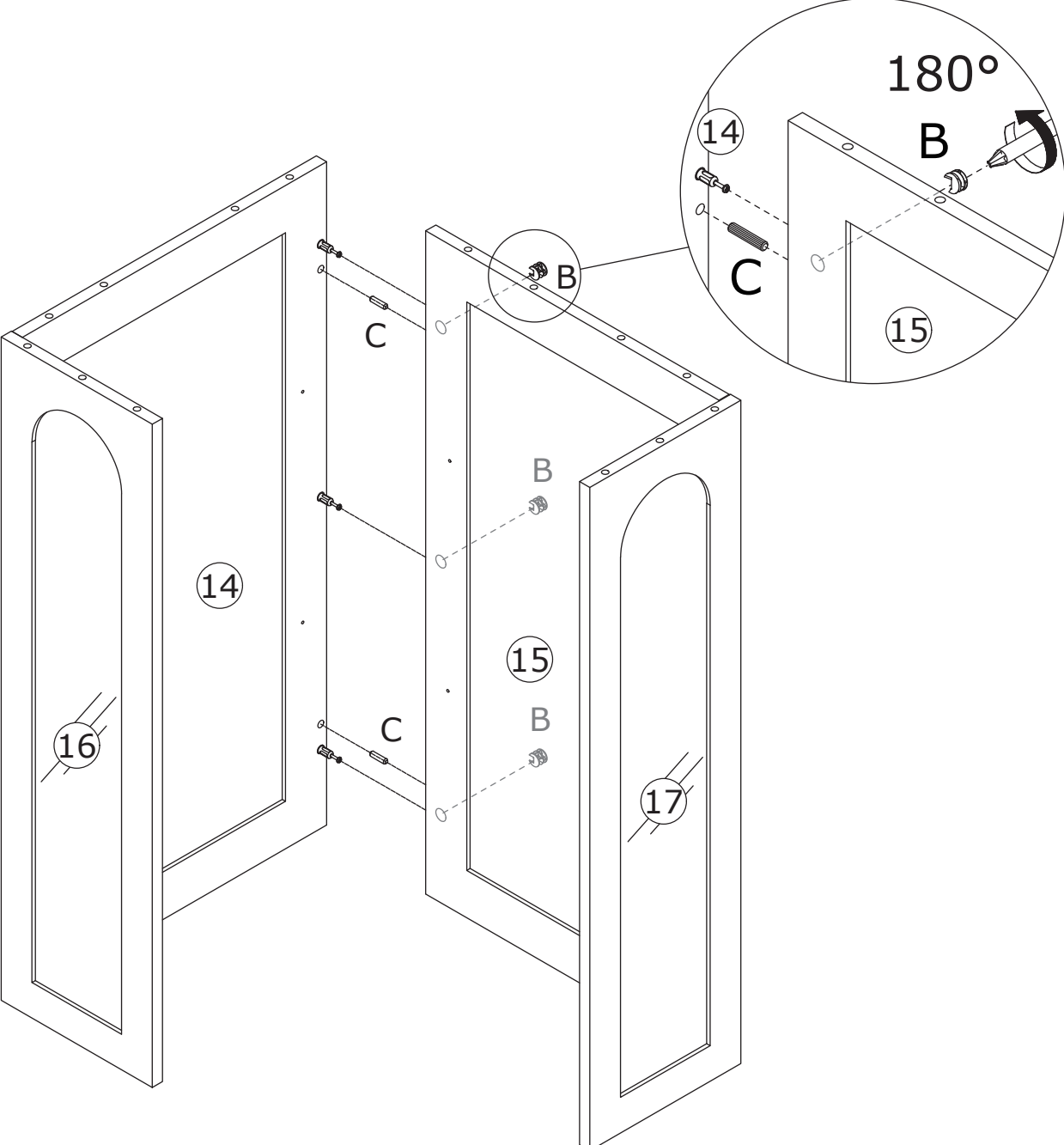
Screw eccentric rod A onto board 14.



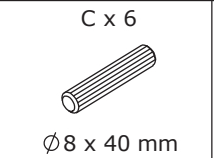
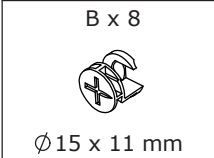
13



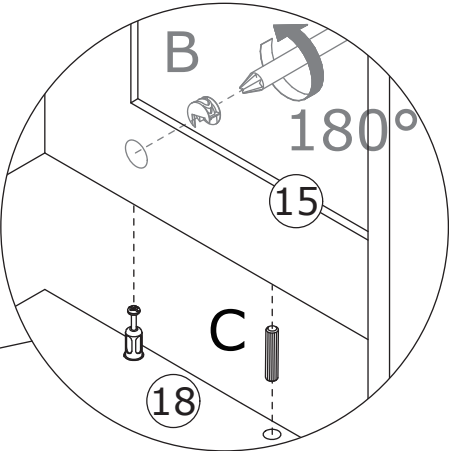
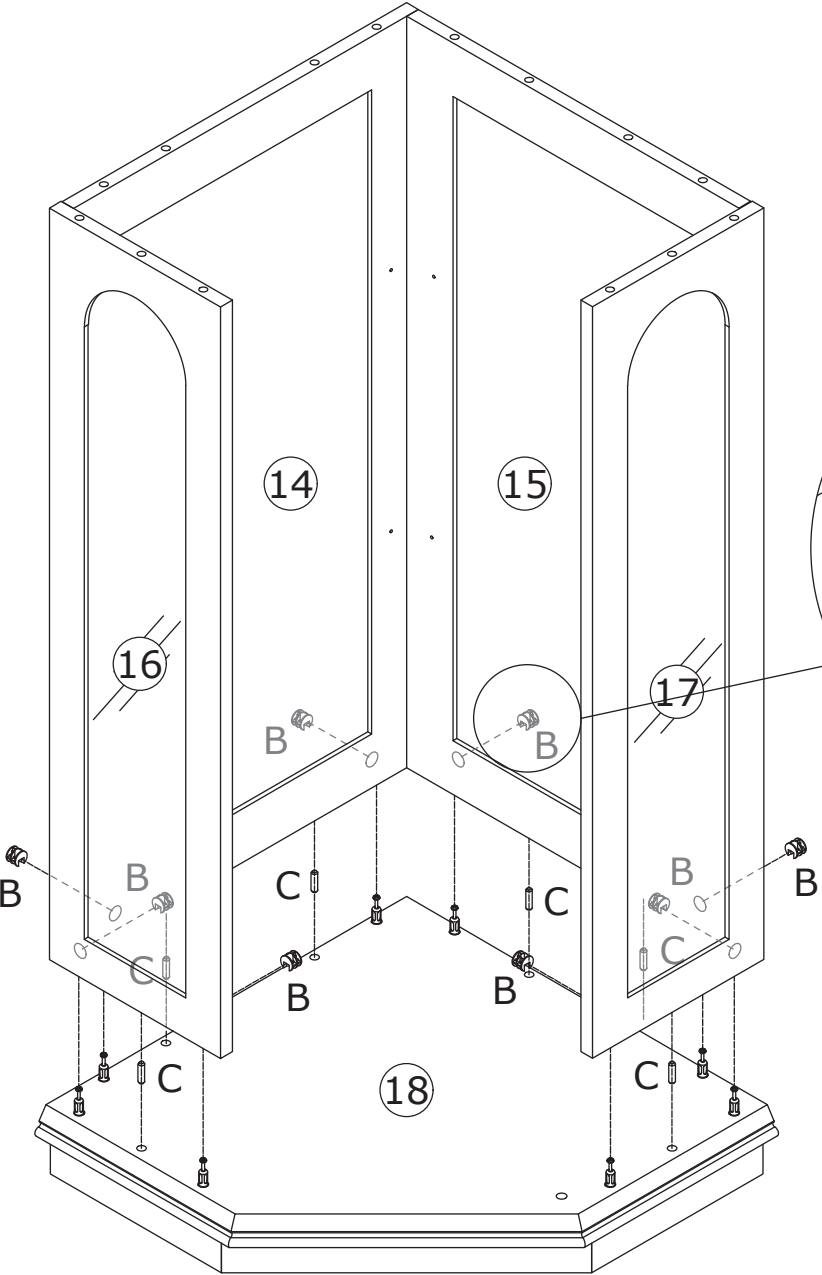
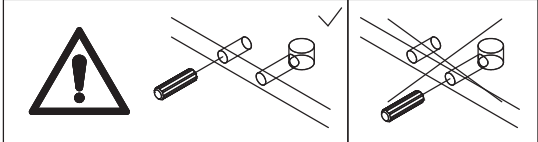
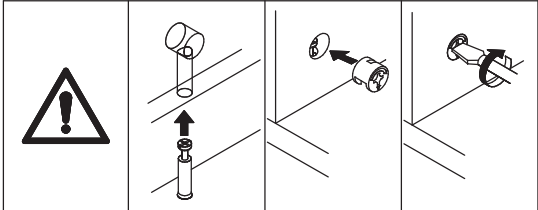
Connect board 14 and 15 using dowel C, tighten by turning cam lock B clockwise.



# 14



Connect board 14, 15, 16, 17 to board 18 using dowel C, tighten by turning cam lock B clockwise.

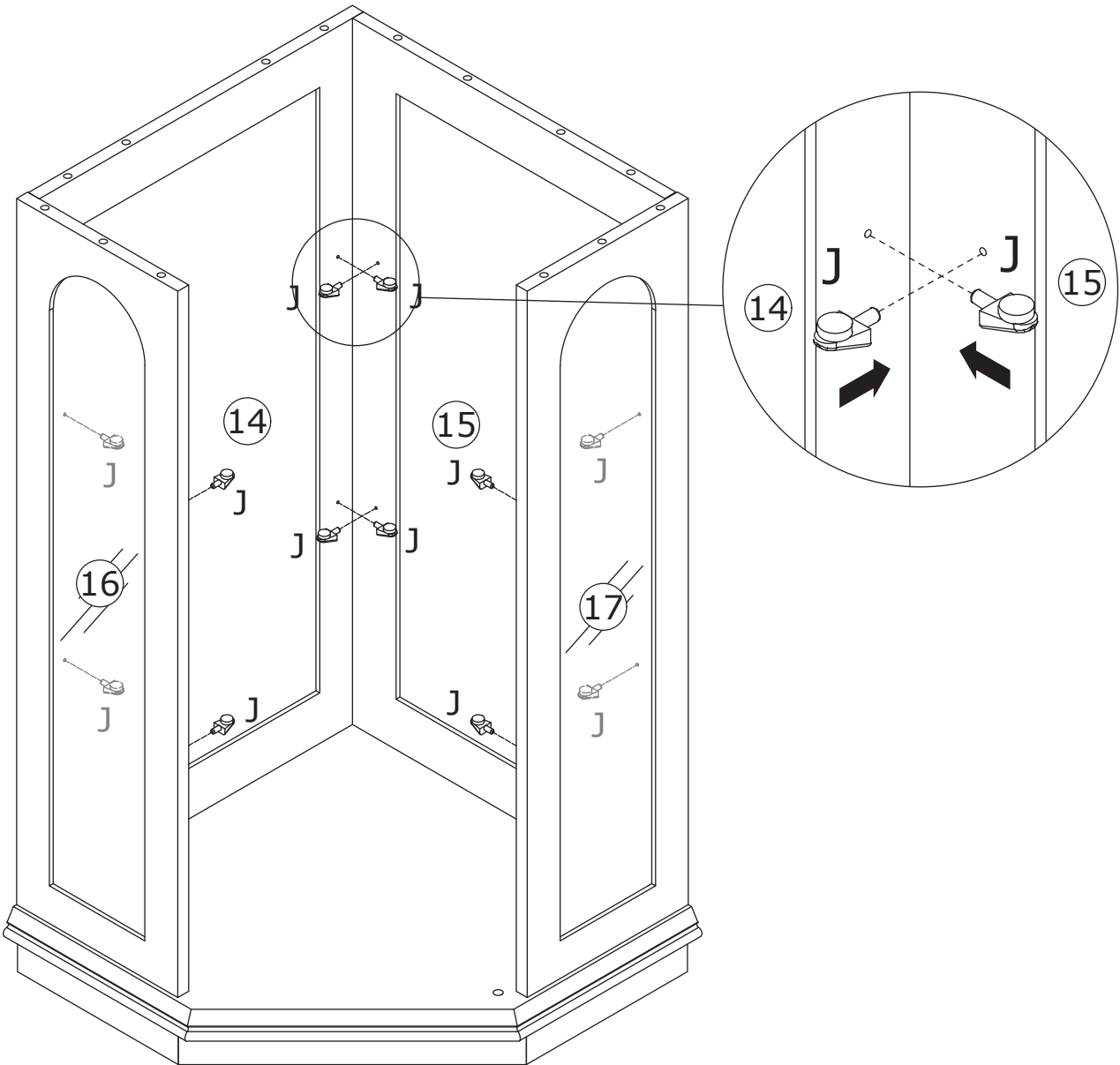


15

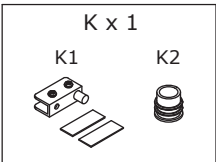
J x 12



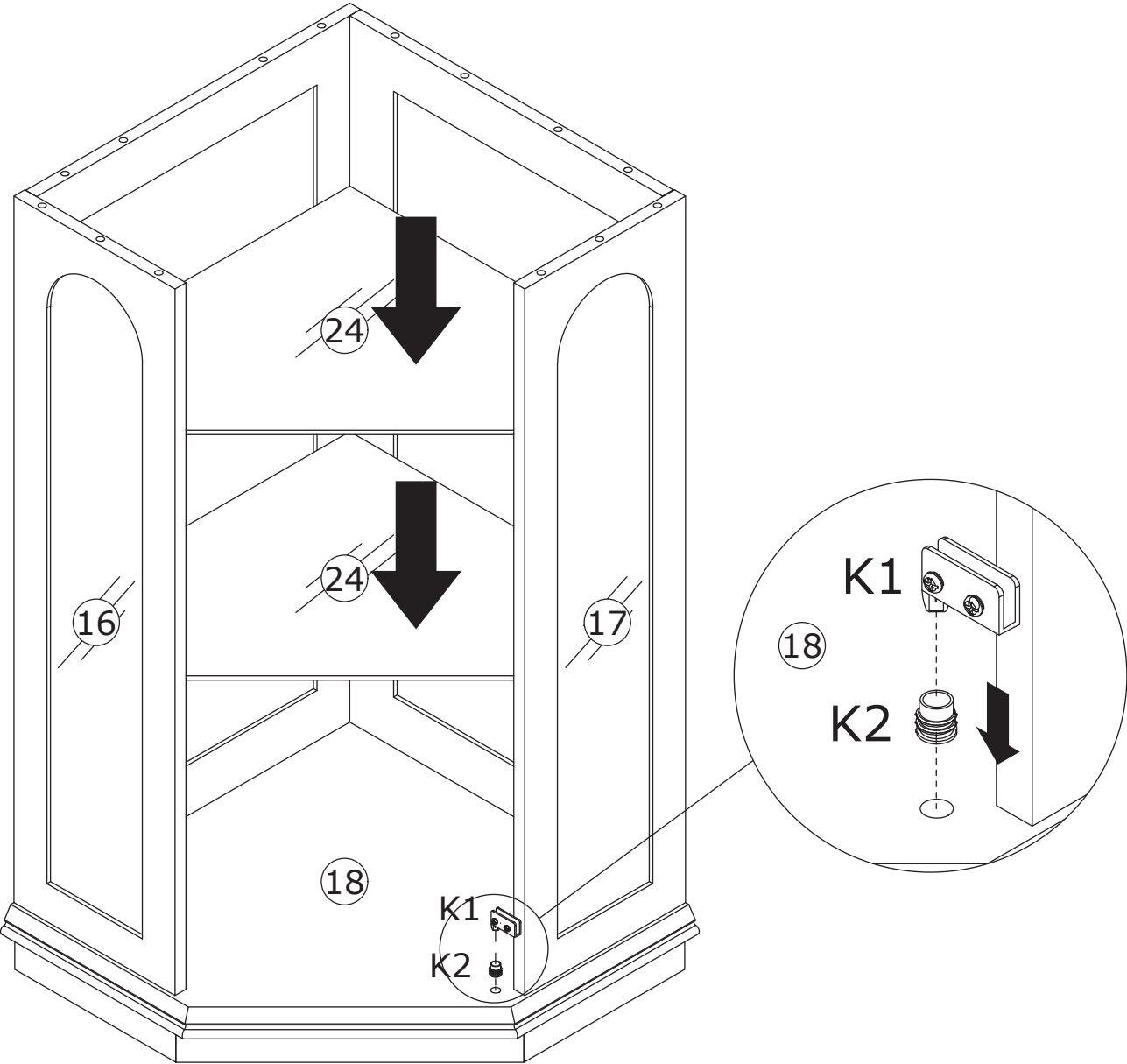
Insert shelf pins J into the pre-drilled holes on board 14, 15, 16, and 17.



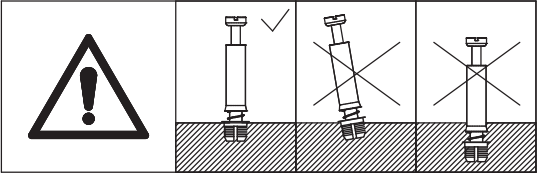
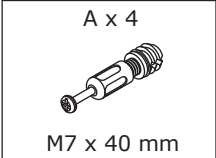
16



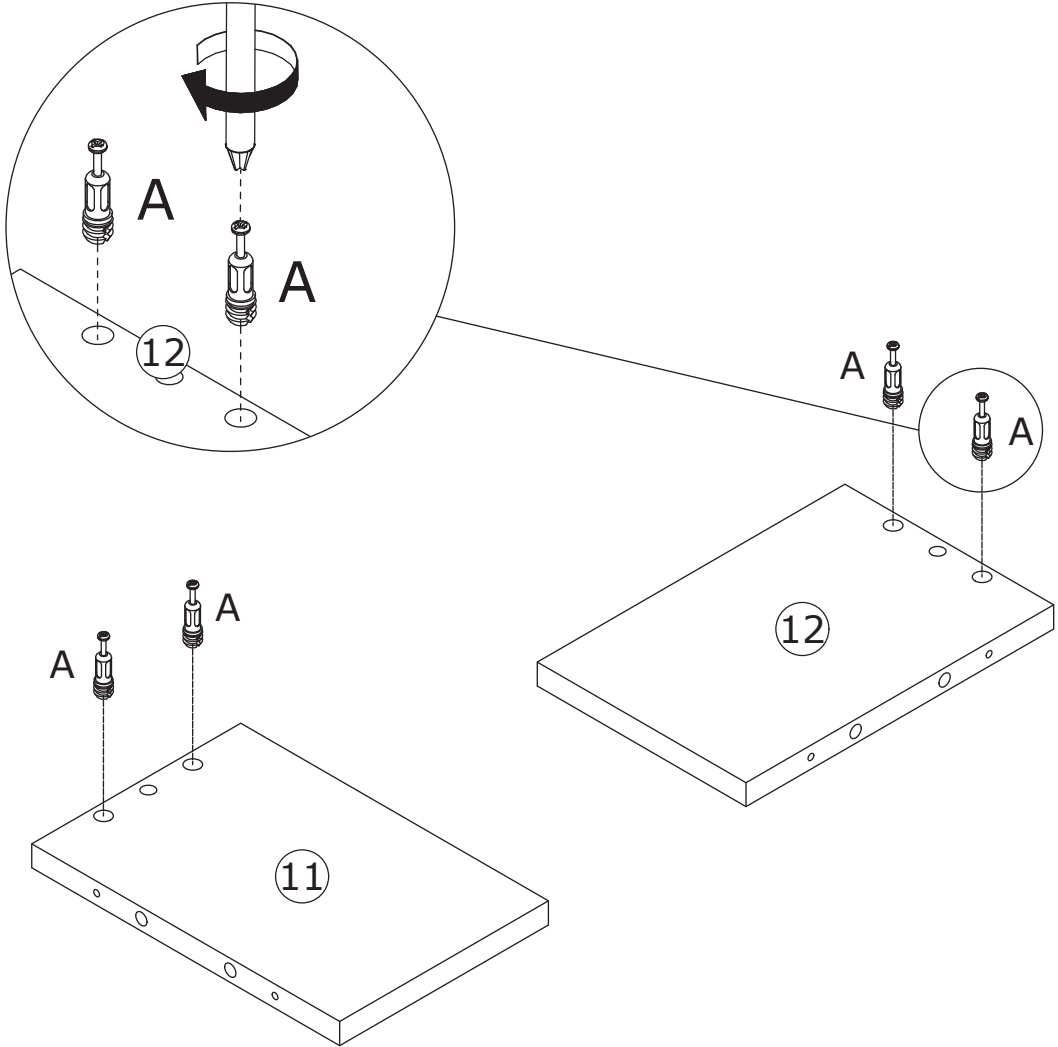
Place glass shelf 24 on shelf pins .  
Insert accessory K2 into the pre-drilled hole on  
board 18, then attach accessory K1 onto  
accessory K2.



17



Screw eccentric rod A onto board 11 and 12.



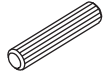
# 18

B x 4

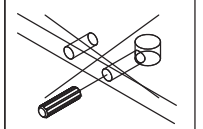
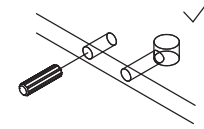
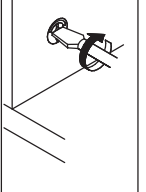
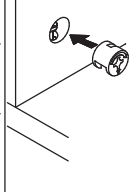
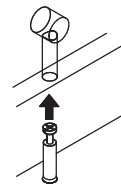
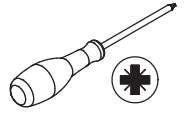


Ø15 x 11 mm

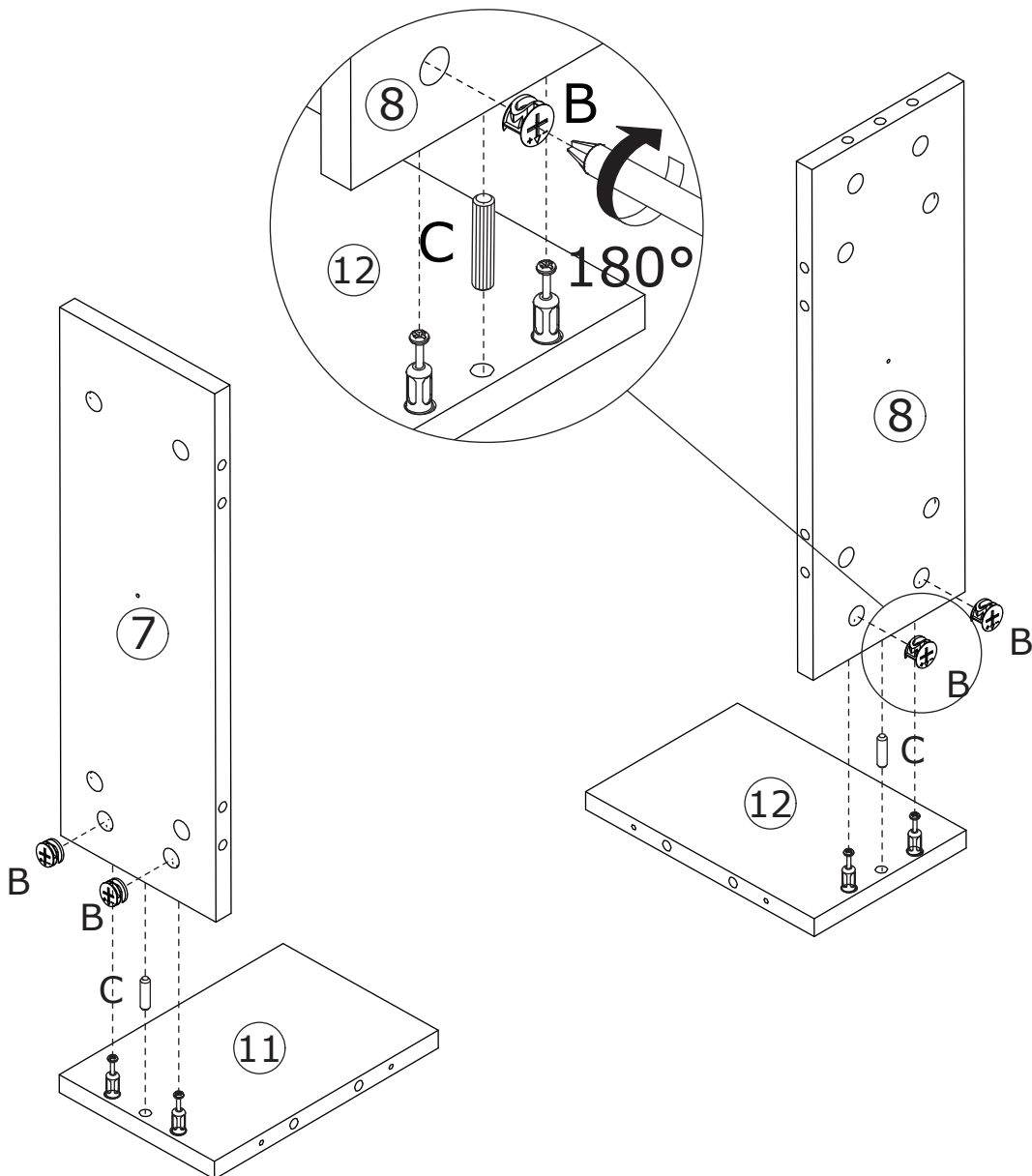
C x 2



Ø8 x 40 mm

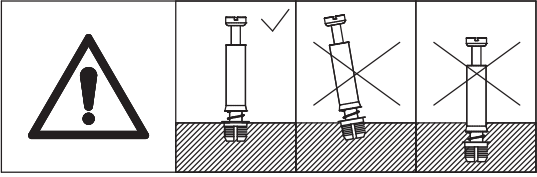
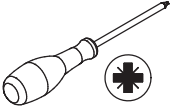


Connect board 7 and 11, board 8 and 12 using dowel C, tighten by turning cam lock B clockwise.

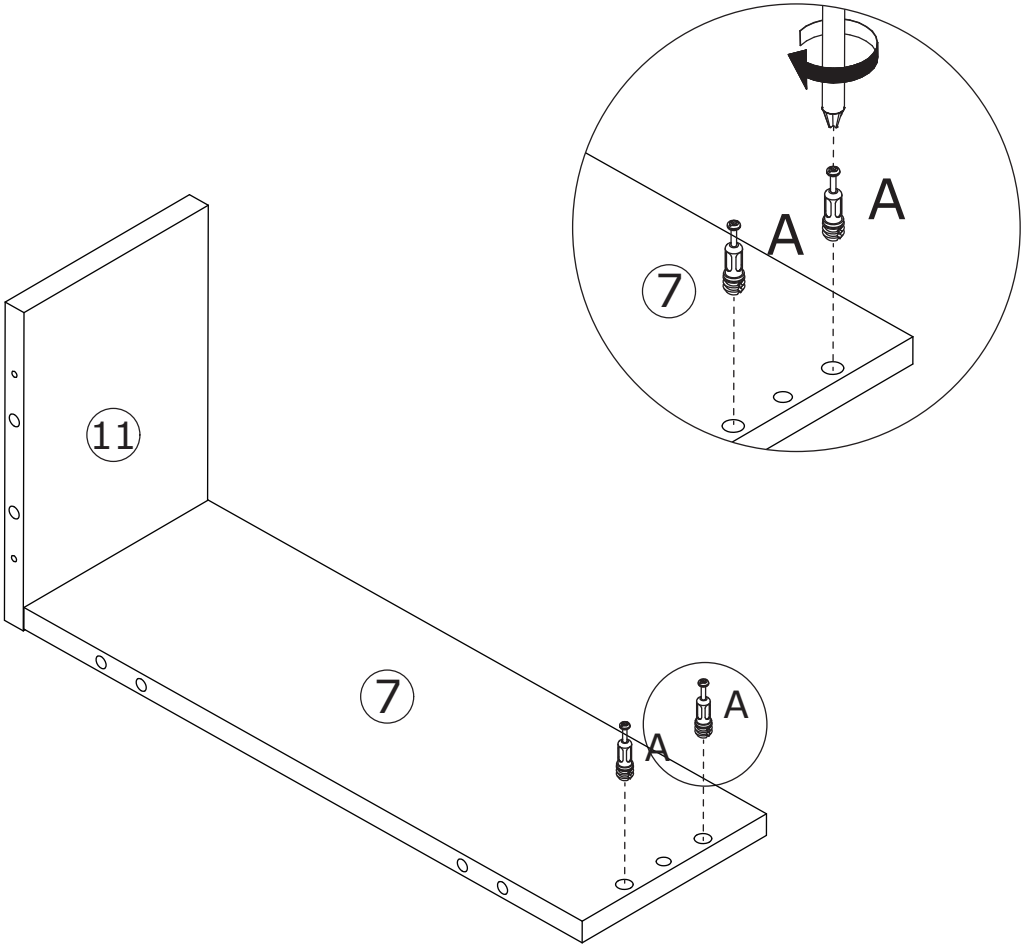


19

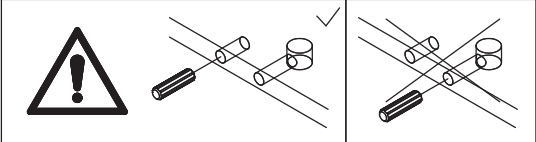
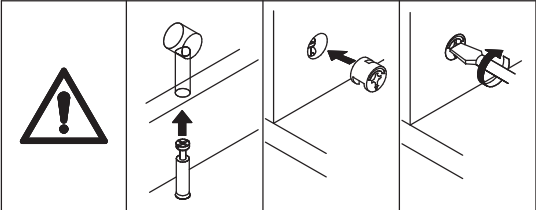
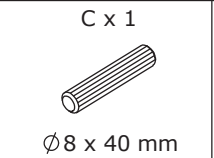
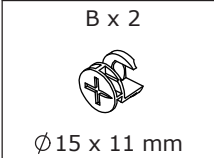
A x 2  
M7 x 40 mm



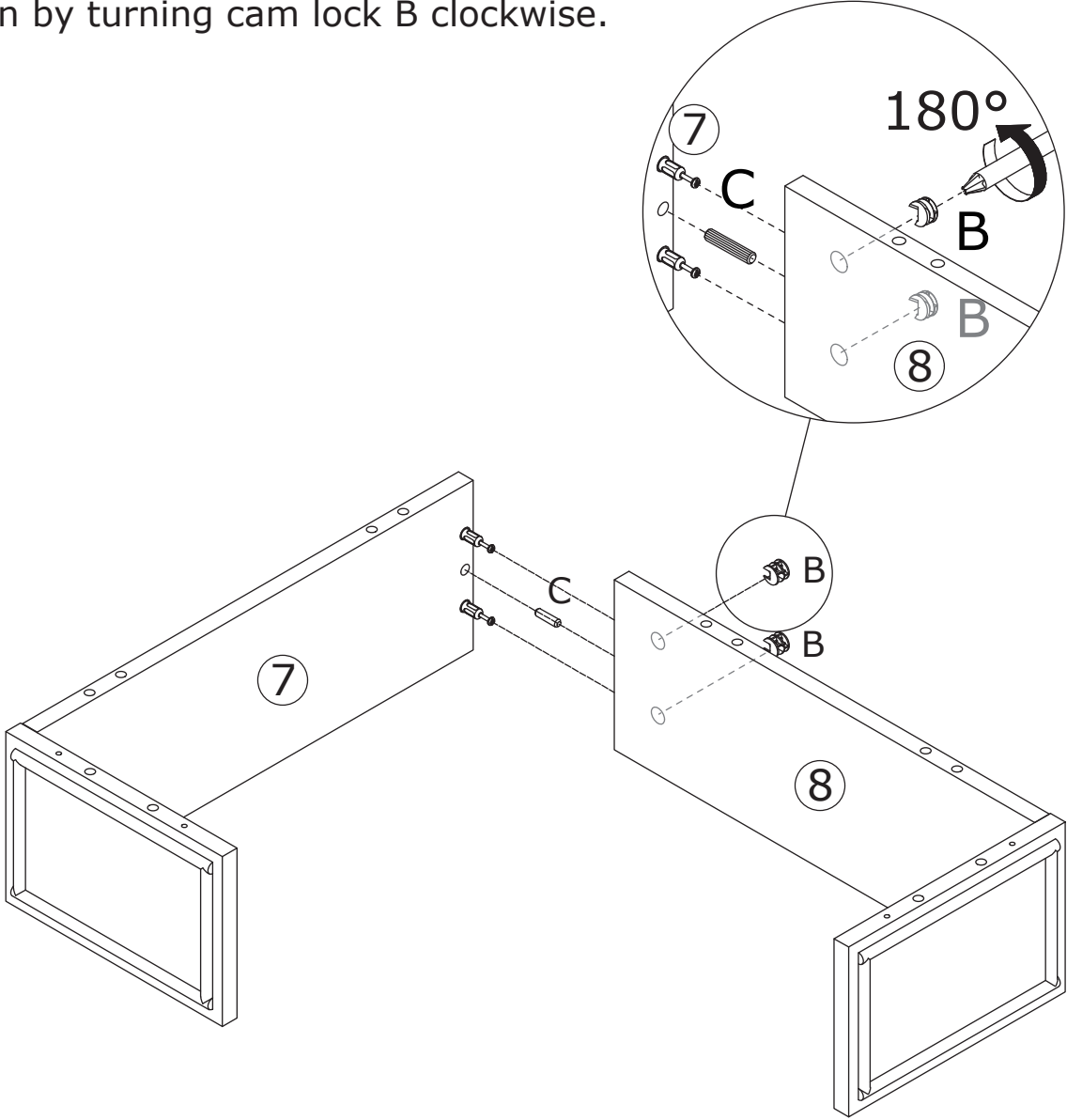
Screw eccentric rod A onto board 7.



20

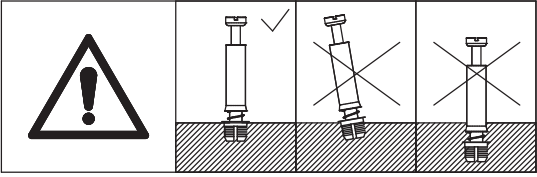
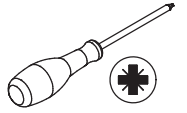


Connect board 7 and 8 using dowel C, tighten by turning cam lock B clockwise.

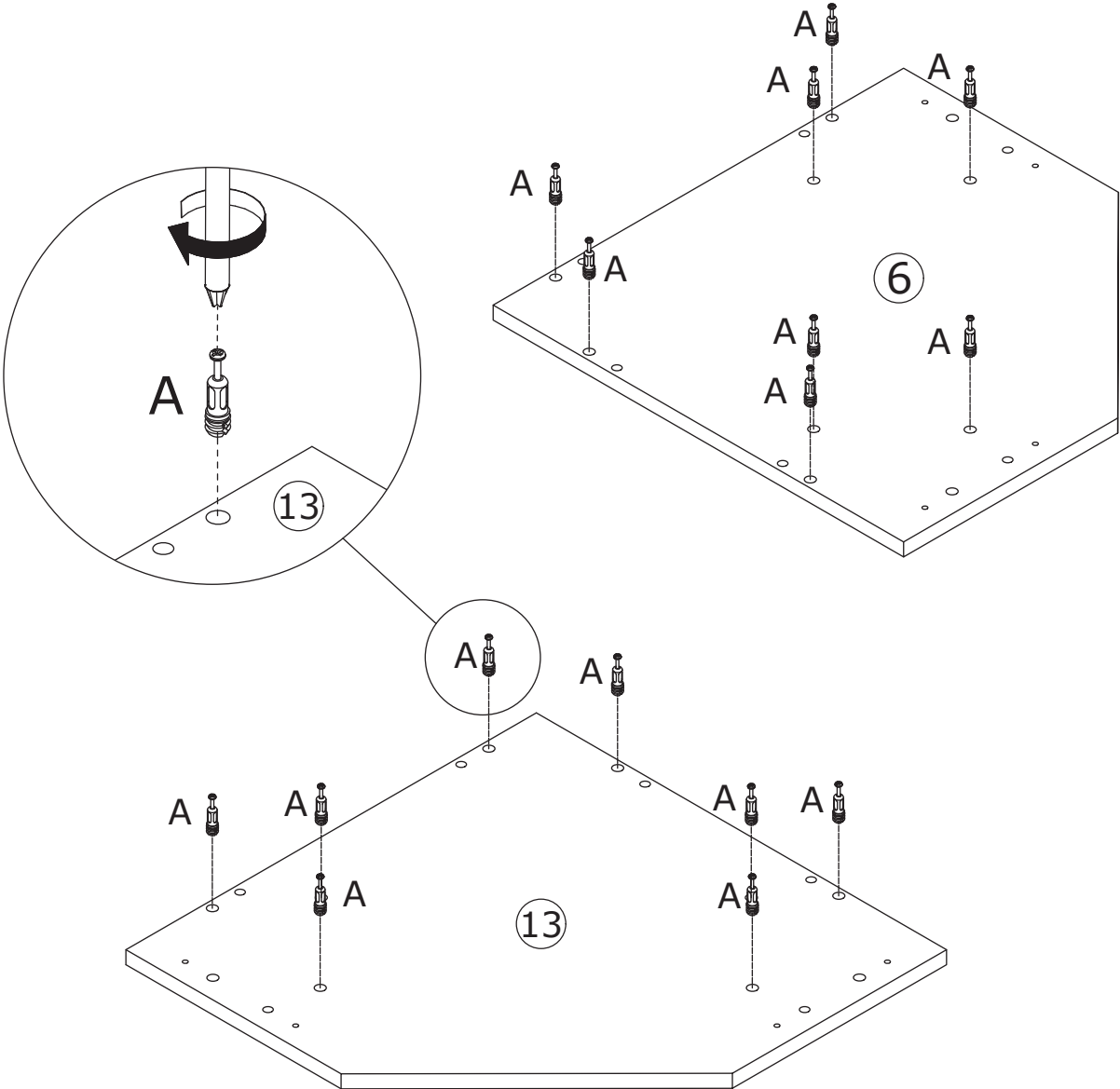


21

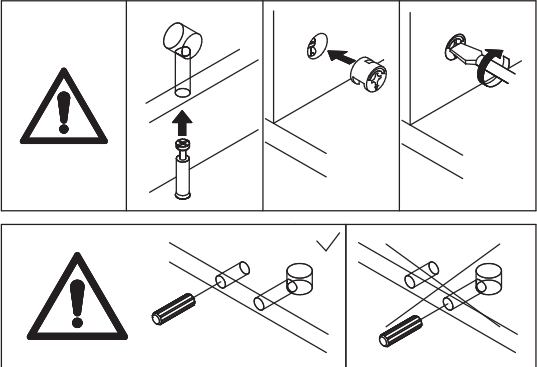
A x 16  
M7 x 40 mm



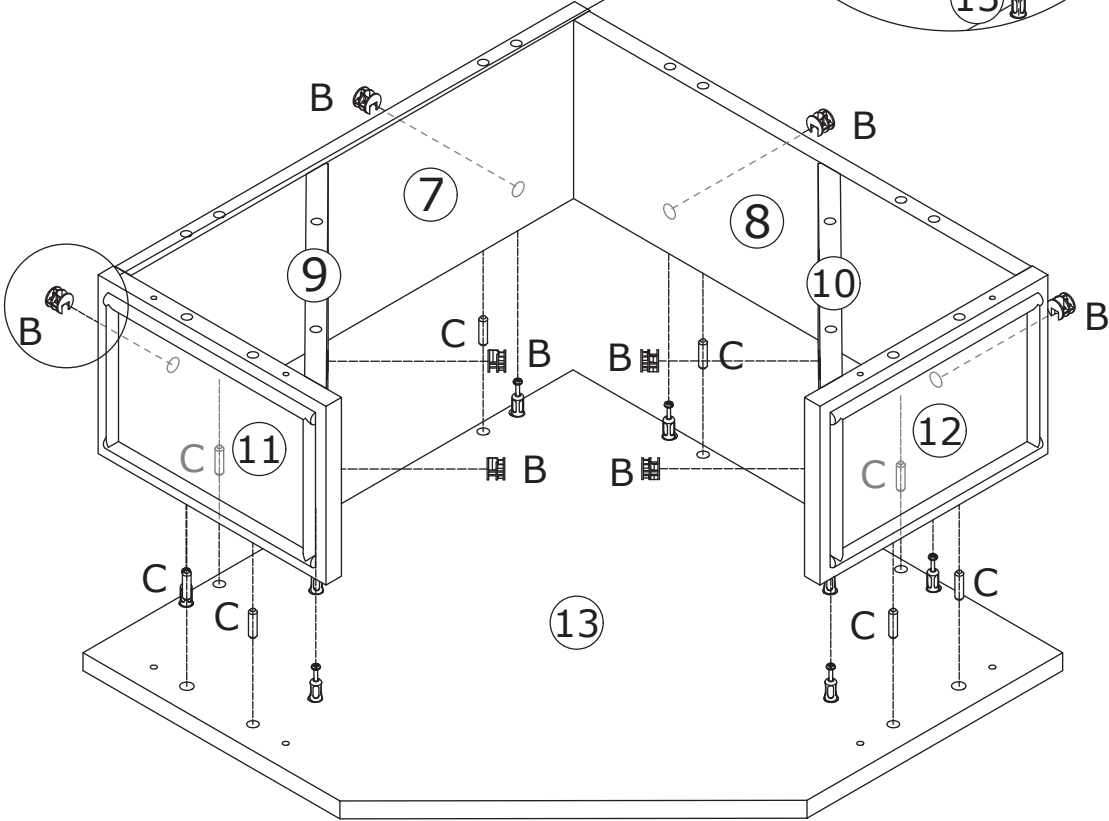
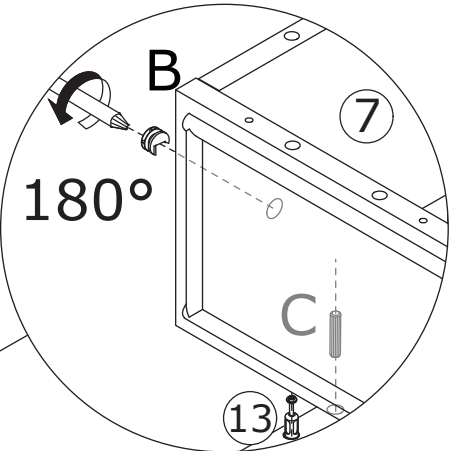
Screw eccentric rod onto boards 6 and 13.



22

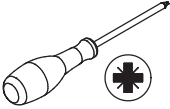


Connect board 7, 8, 9, 10, 11, 12, to board 13 using dowel C, tighten by turning cam lock B clockwise.

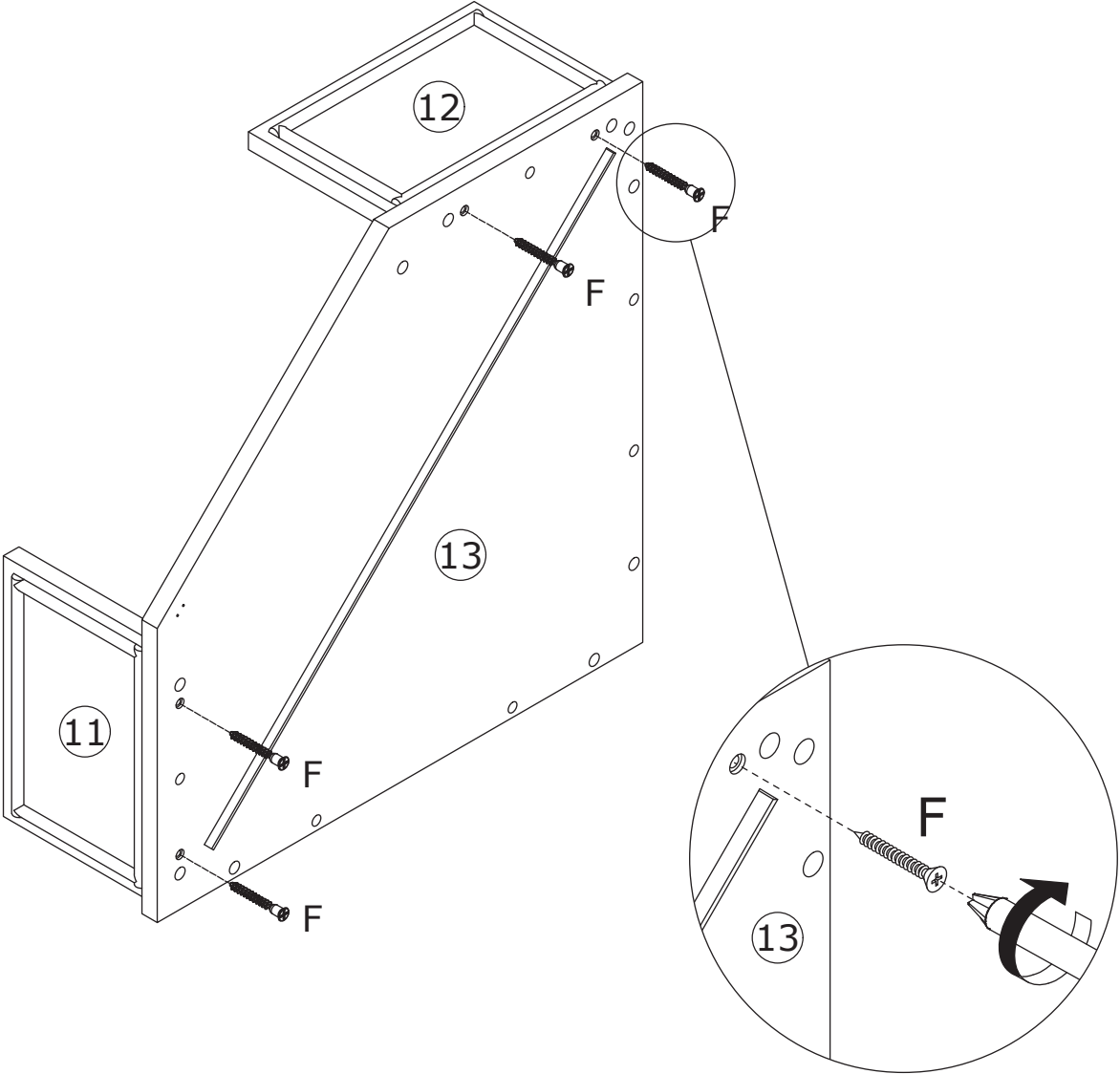


23




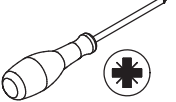
F x 4  
M4 x 35 mm



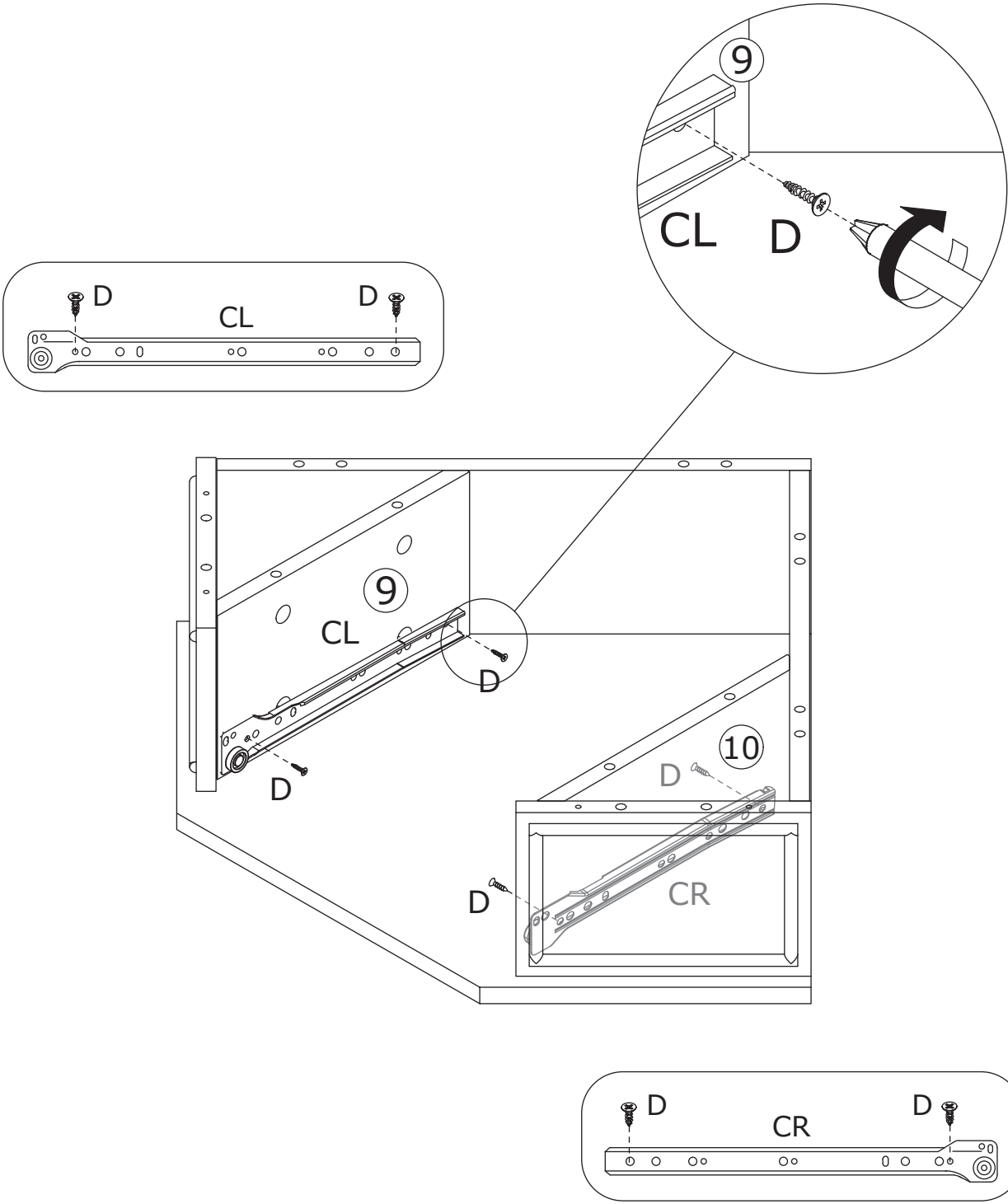
Secure board 11, 12, and 13 using screw F.



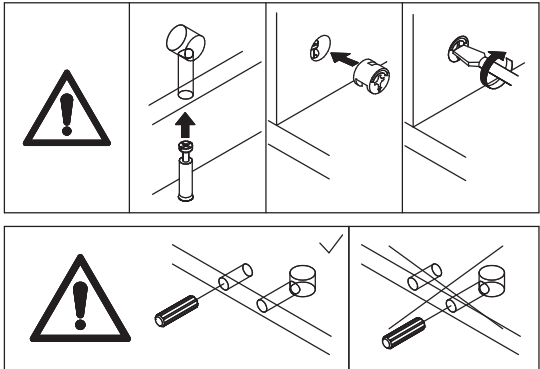
24

D x 4  Ø8 x 30 mm	CL x 1 	CR x 1 	
--	---	---	---

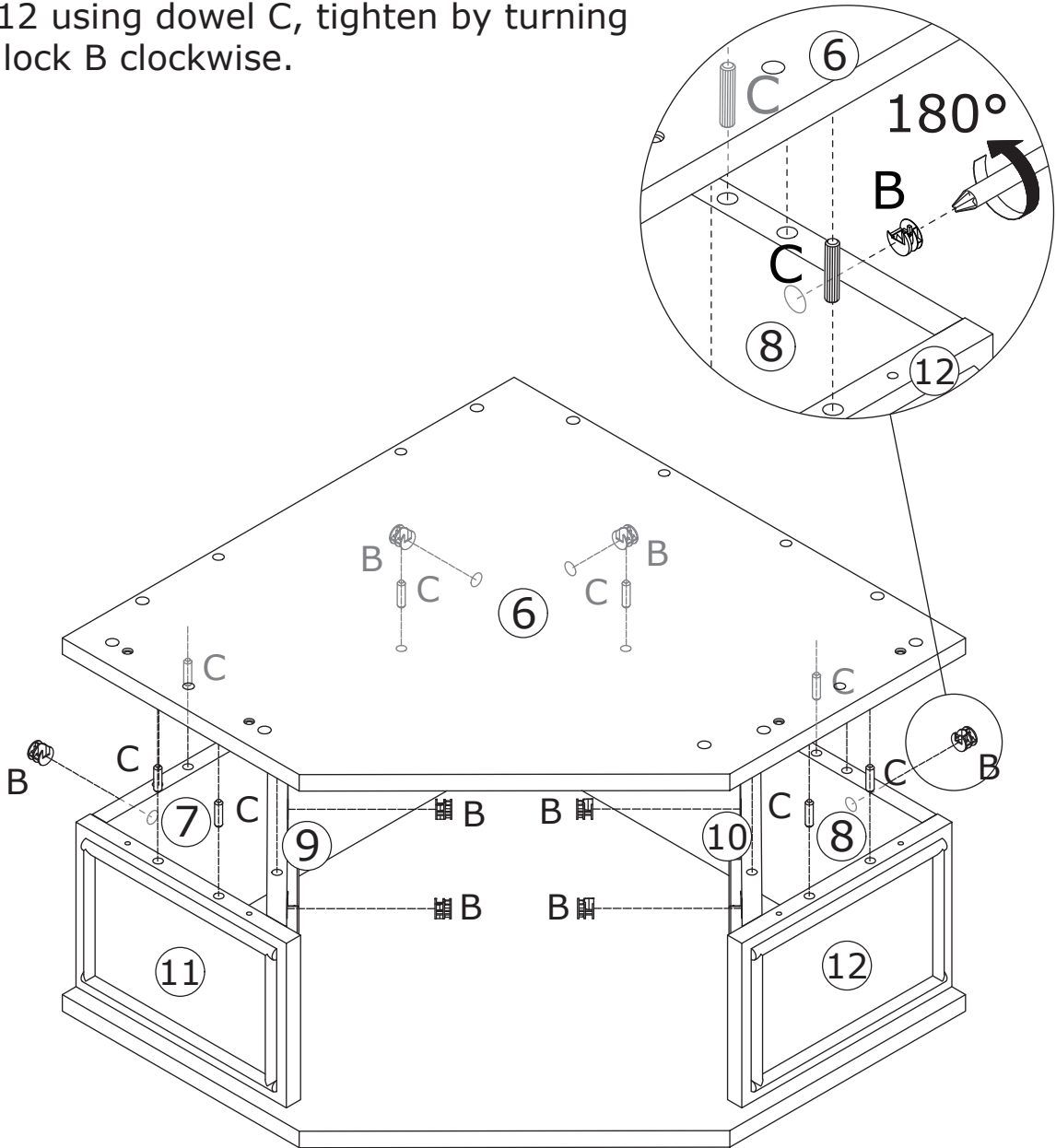
Secure rail CL and CR to board 9 and 10 using screw D.



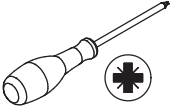
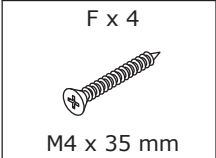
25



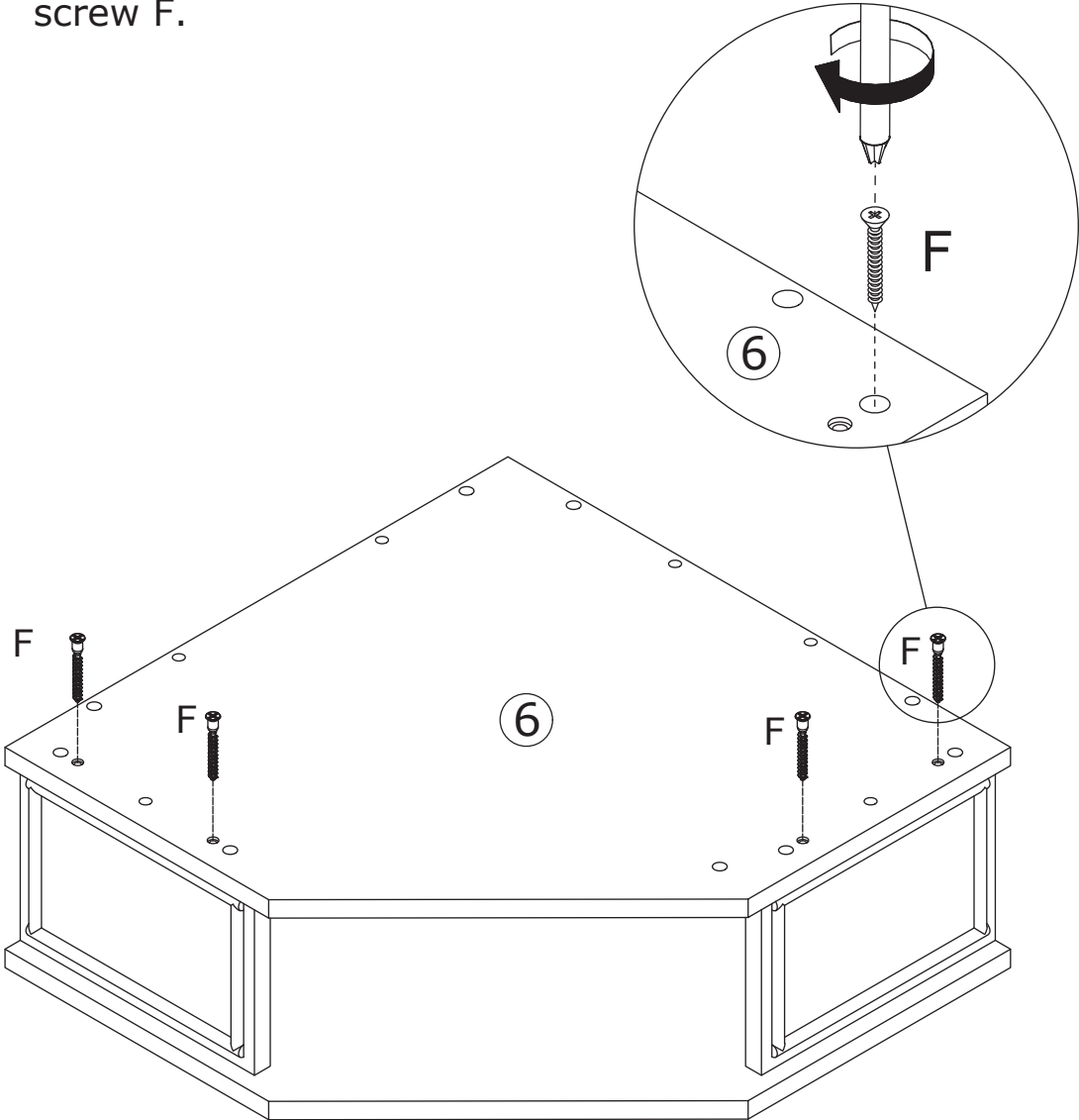
Connect board 6 to board 7, 8, 9, 10, 11, and 12 using dowel C, tighten by turning cam lock B clockwise.



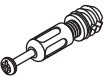

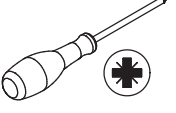


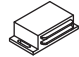
26

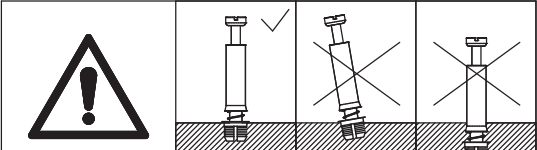


Secure board 6, 11, and 12 using screw F.

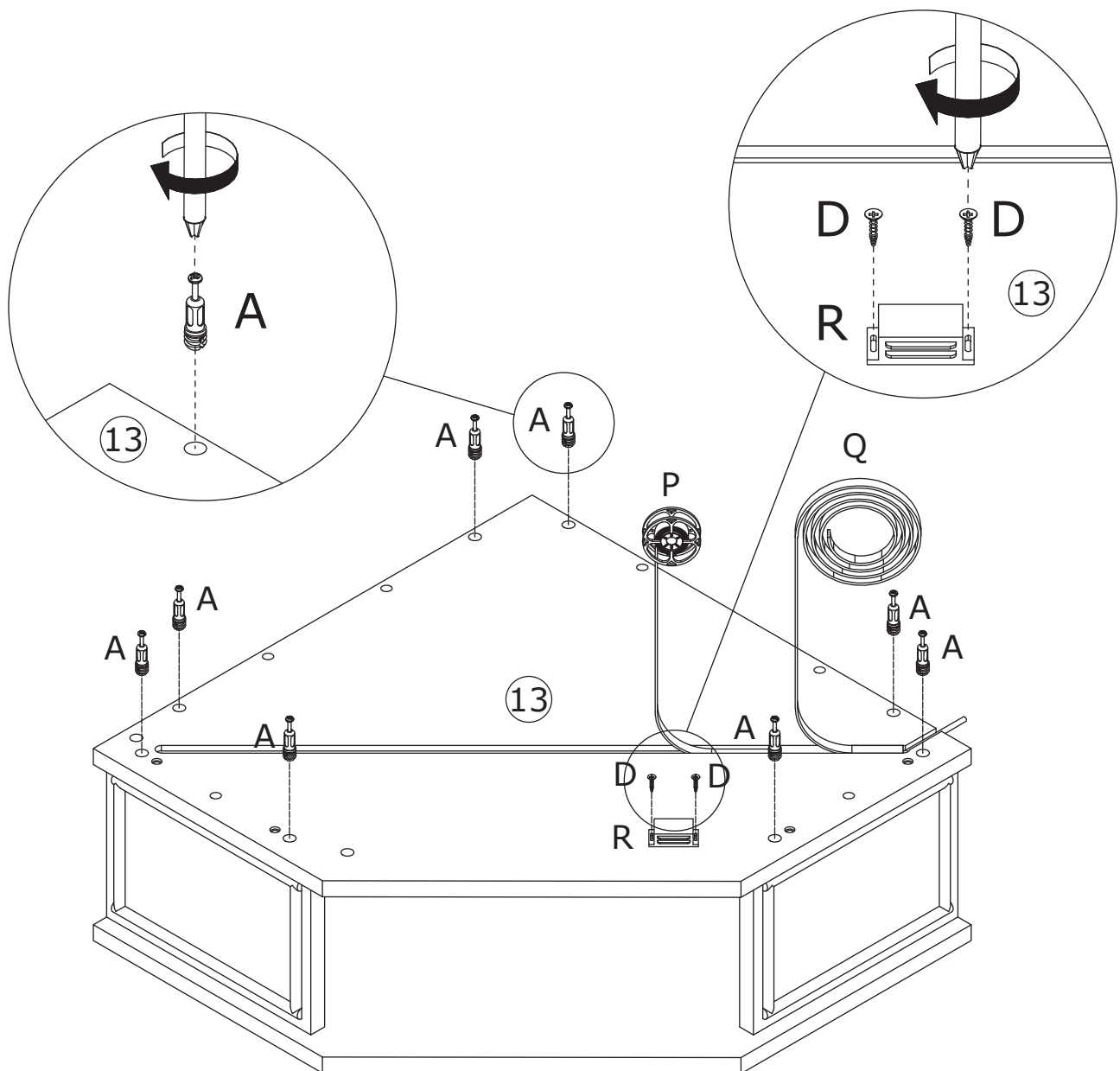


27

A x 8  M7 x 40 mm	D x 2  Ø8 x 30 mm	
P x 1 	Q x 1 	R x 1 



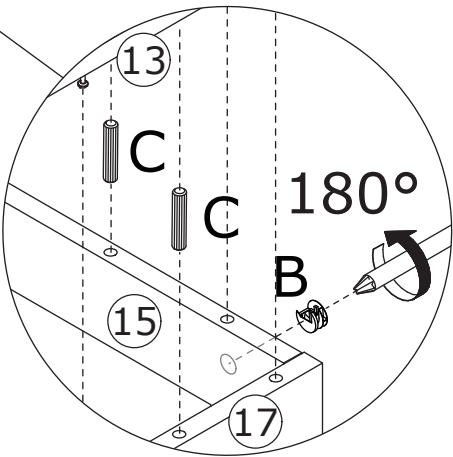
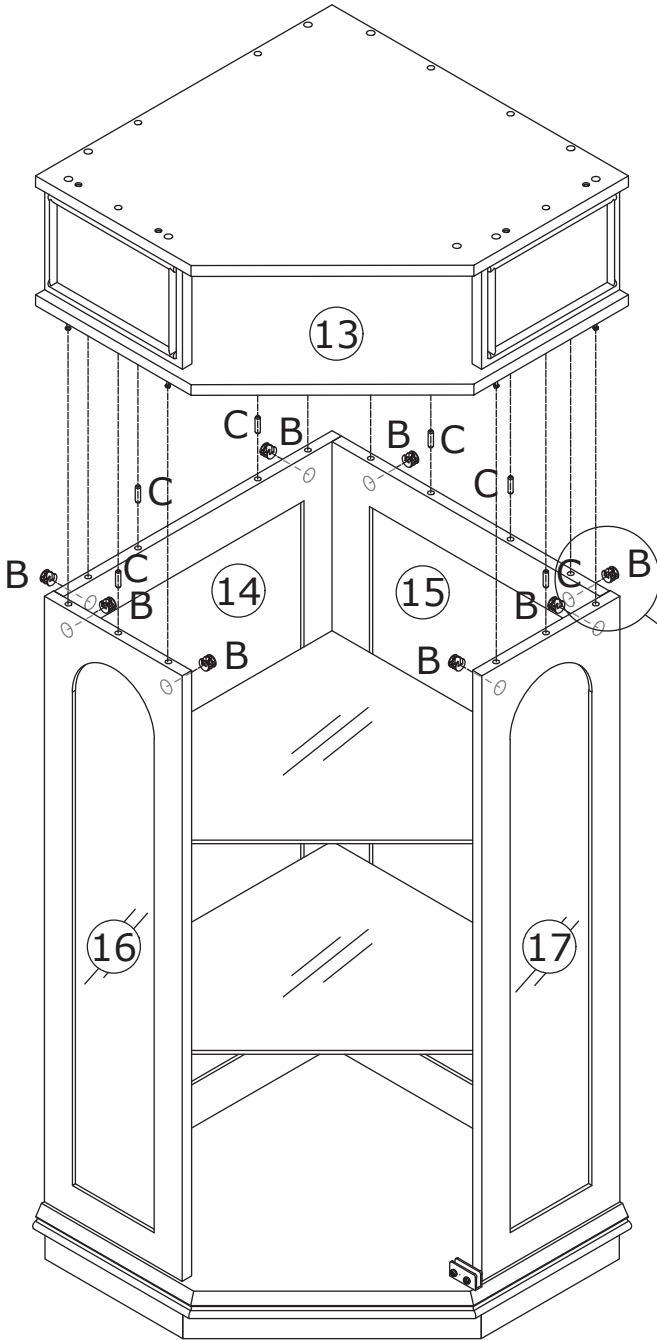
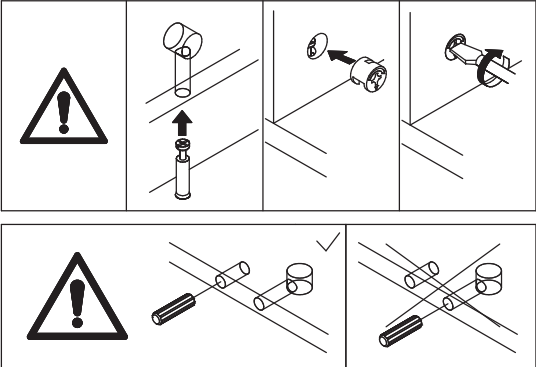
Screw eccentric rod A onto board 13.  
Secure magnetic catch R to board 13 using screw D.  
Attach light strip P into the slot on board 13, then  
insert sealing strip Q.



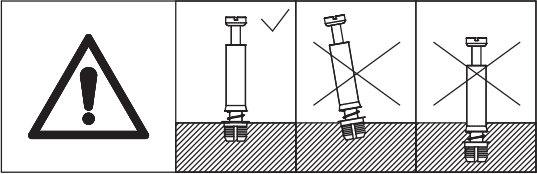
28



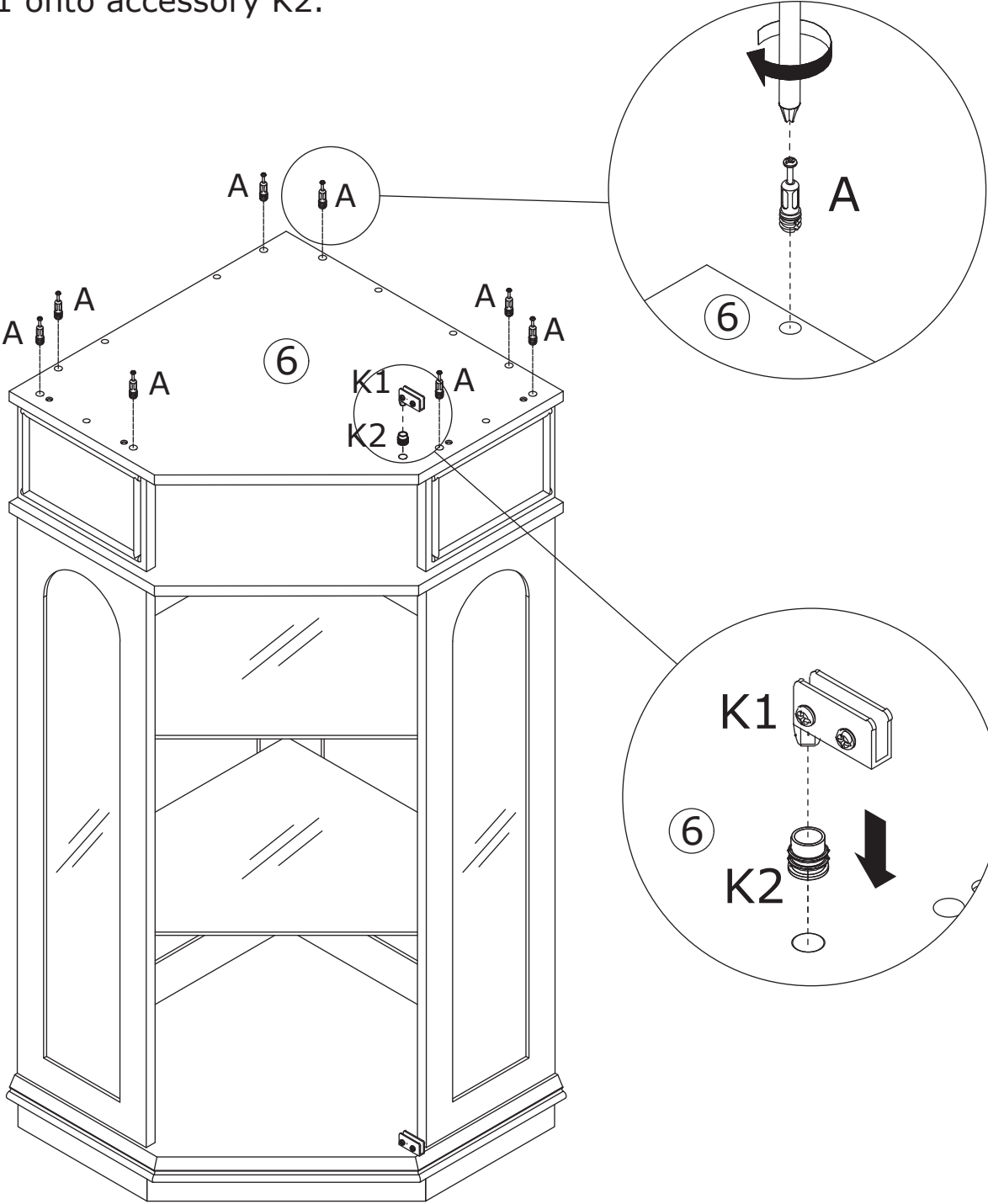
Connect board 13 to board 14, 15, 16, and 17 using dowel C, tighten by turning cam lock B clockwise.



29

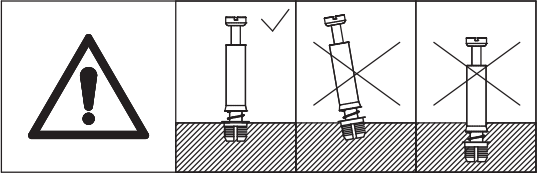
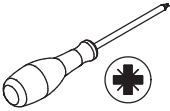


Screw eccentric rod A onto board 6.  
Insert accessory K2 into the pre-drilled  
hole on board 6, then attach accessory  
K1 onto accessory K2.

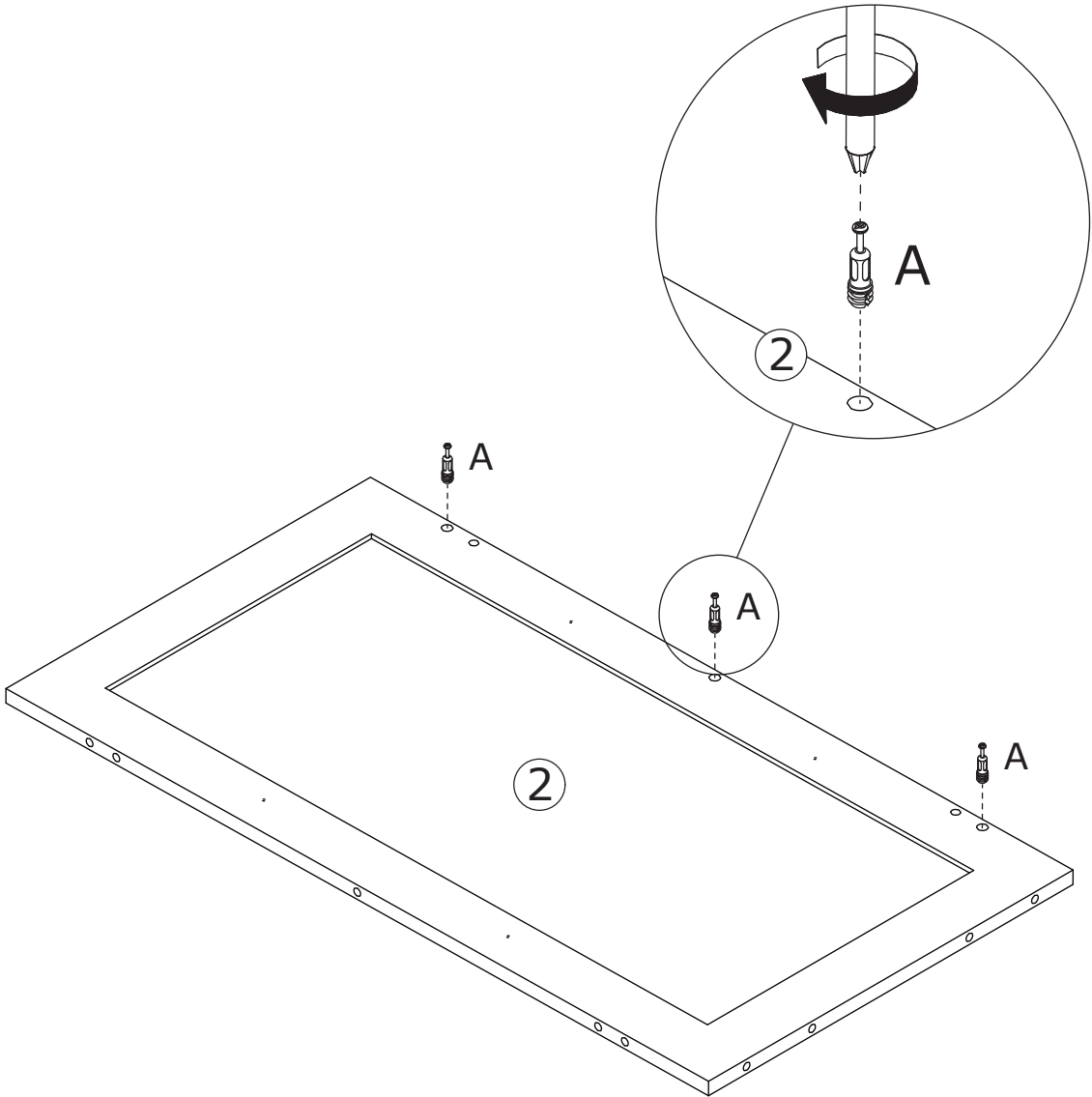


30

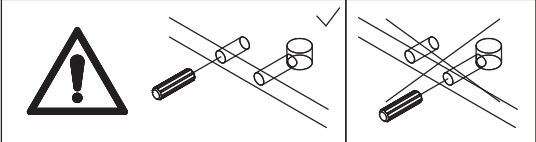
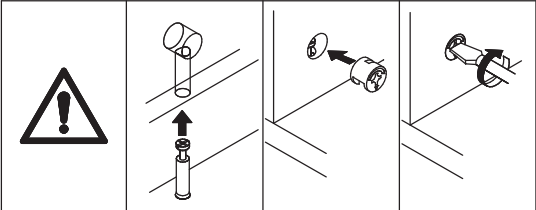
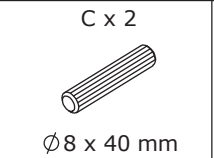
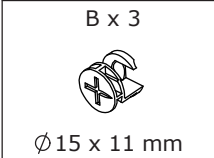
A x 3  
M7 x 40 mm



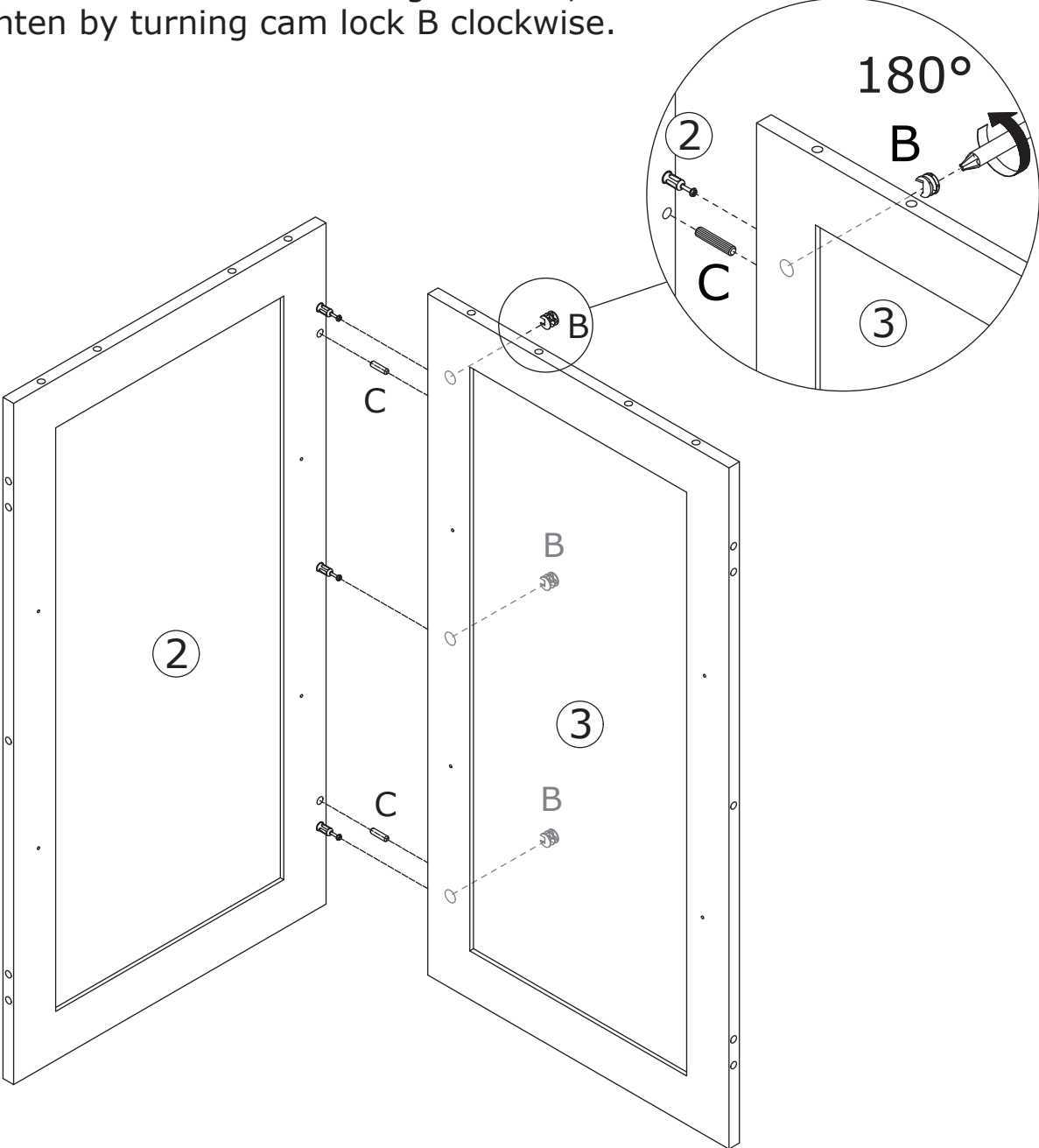
Screw eccentric rod A onto board 2.



31

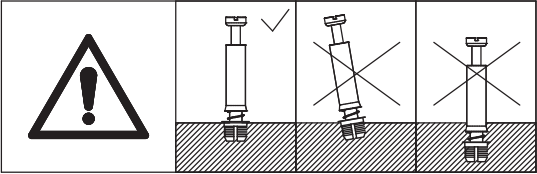
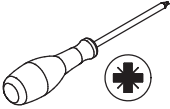


Connect board 2 and 3 using dowel C, tighten by turning cam lock B clockwise.

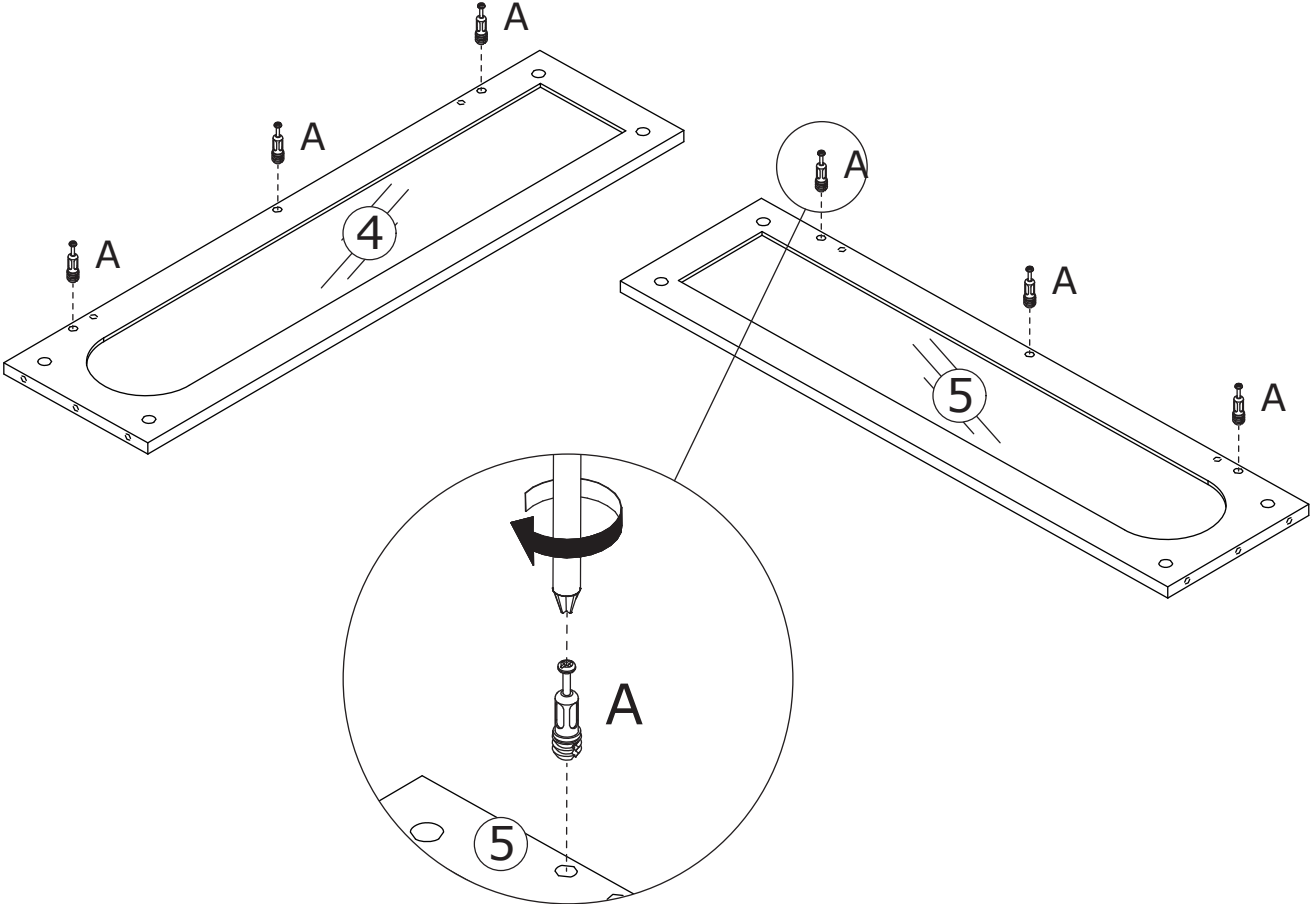


32

A x 6  
M7 x 40 mm



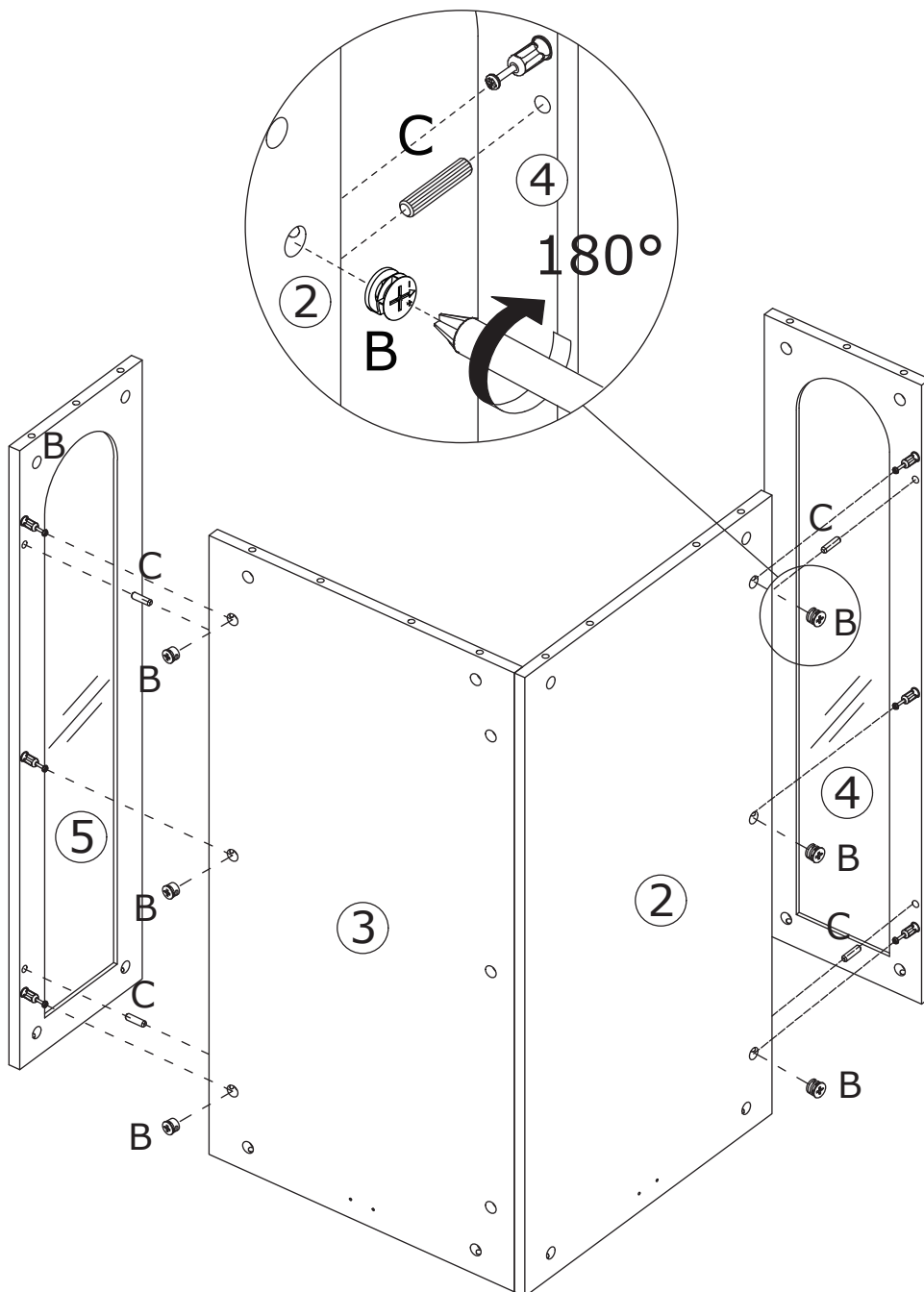
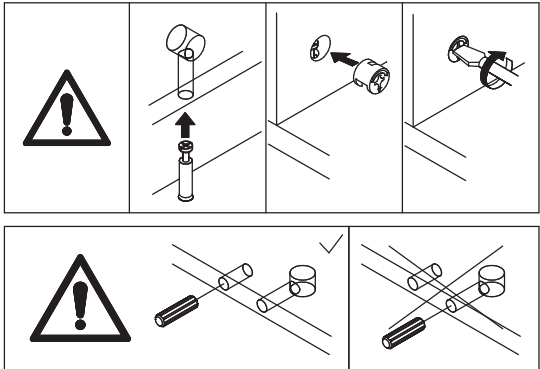
Screw eccentric rod A onto board 4 and 5.



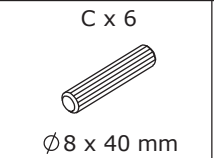
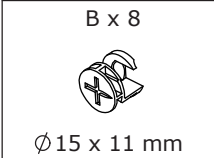
33



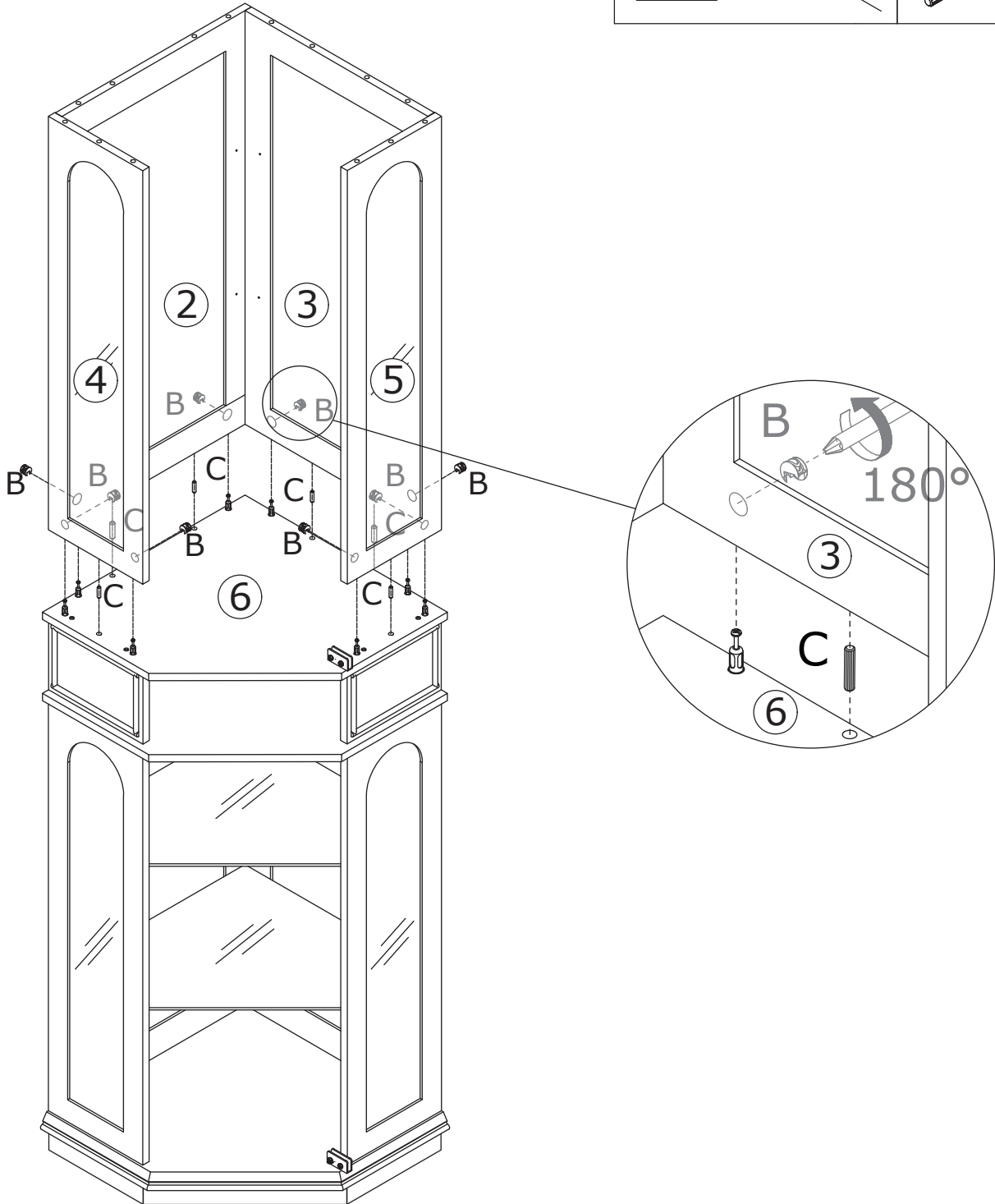
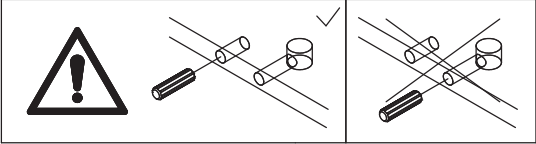
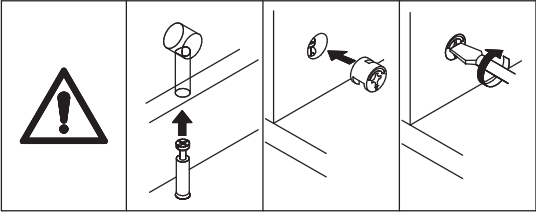
Connect board 2, 3, 4, and 5 using dowel C, tighten by turning cam lock B clockwise.



34



Connect board 2, 3, 4, and 5 to board 6 using dowel C, tighten by turning cam lock B clockwise.

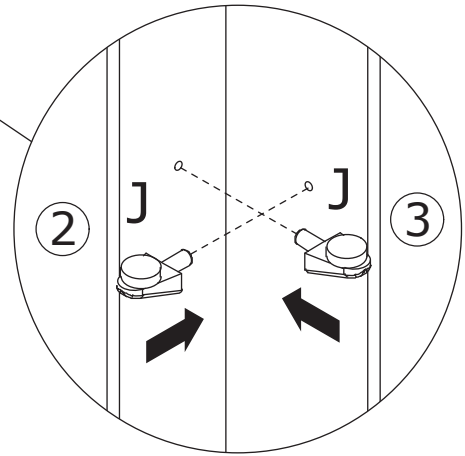
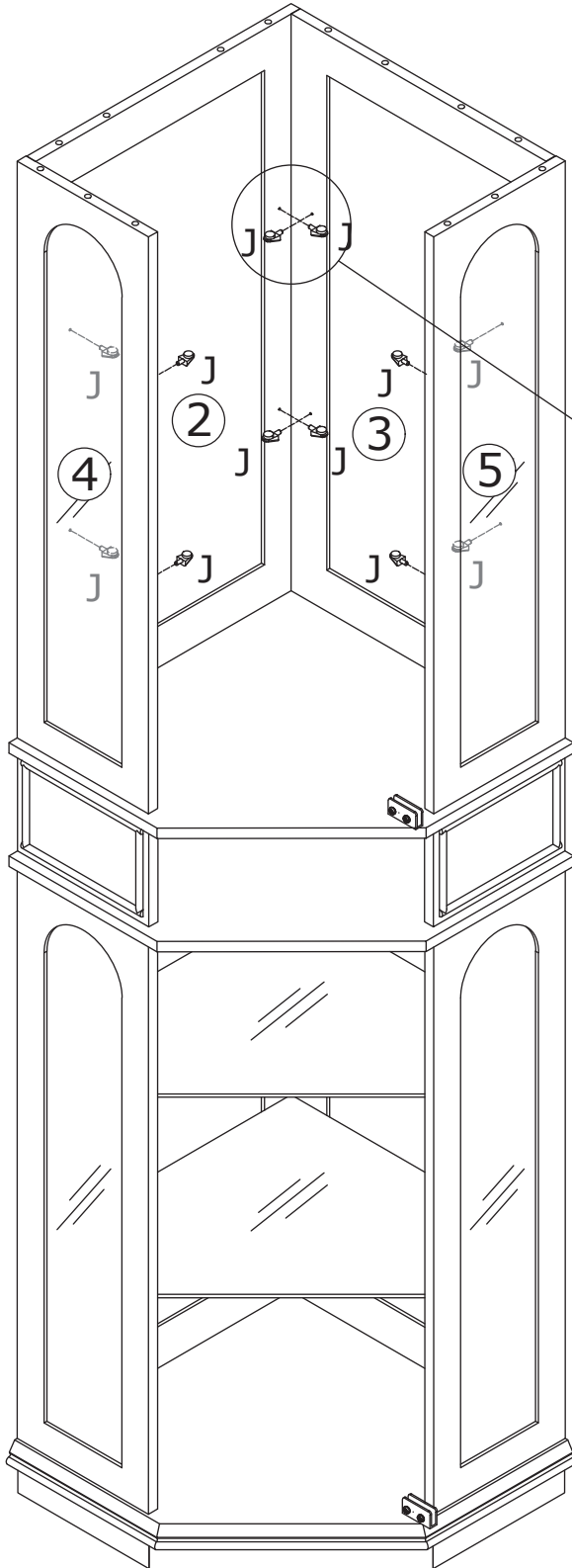


35

J x 12

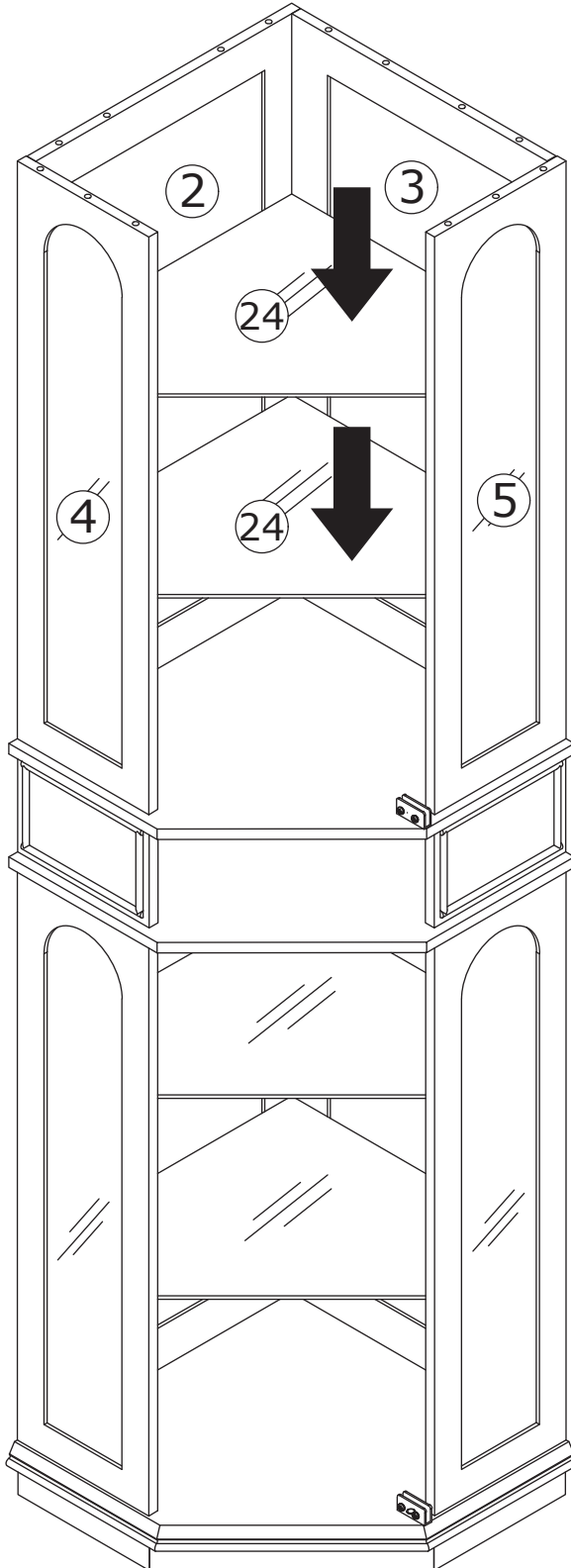


Insert shelf pins J into the pre-drilled holes on board 2, 3, 4, and 5.



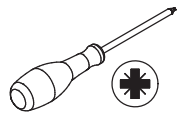





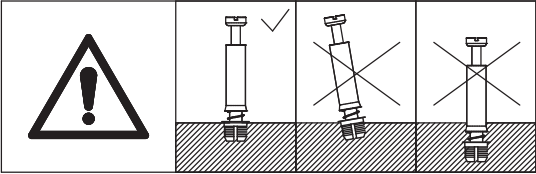
36

Place glass shelf 24 on shelf pins.

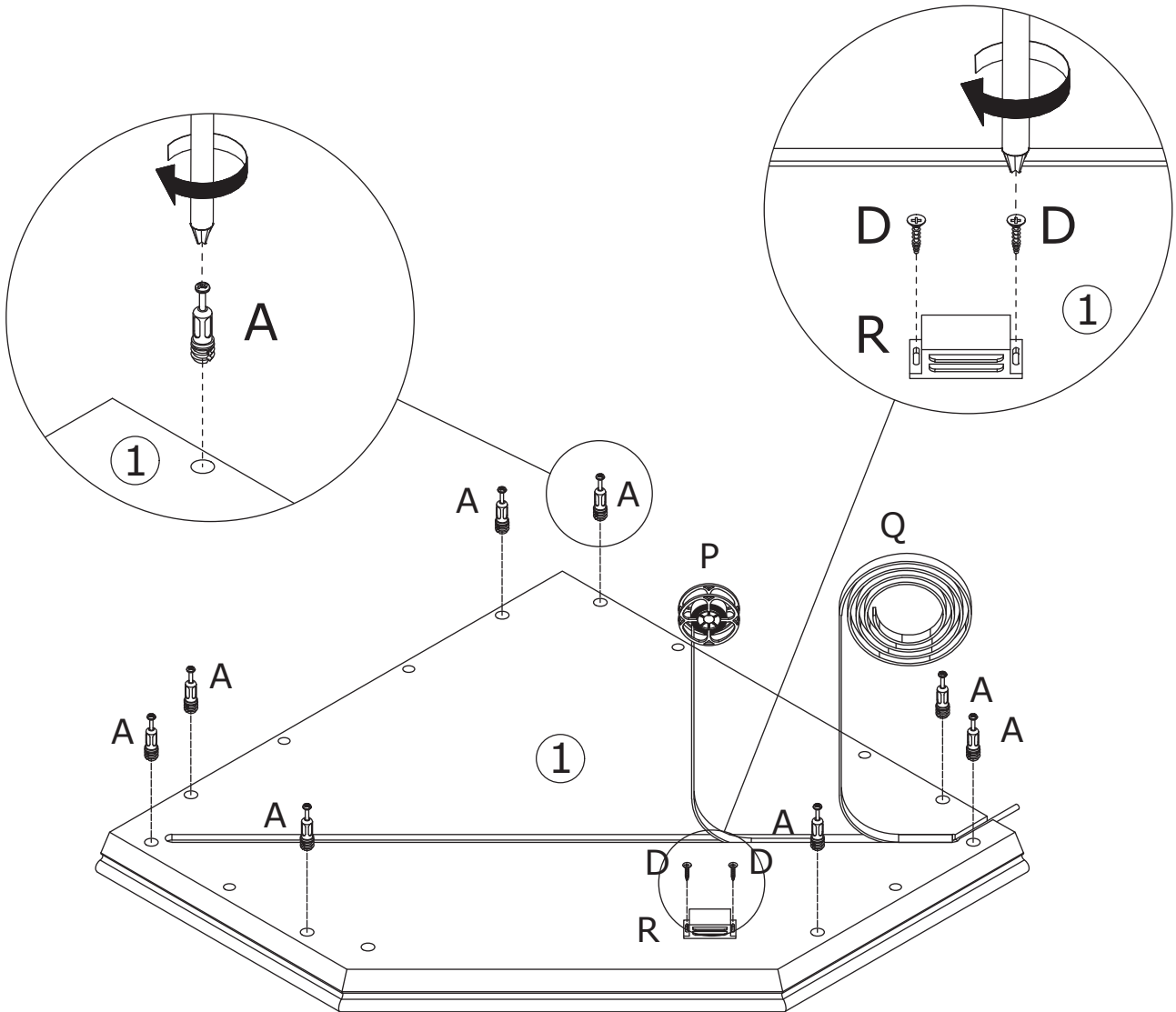


37


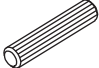

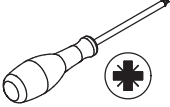
A x 8  M7 x 40 mm	D x 2  Ø8 x 30 mm	
P x 1 	Q x 1 	R x 1 



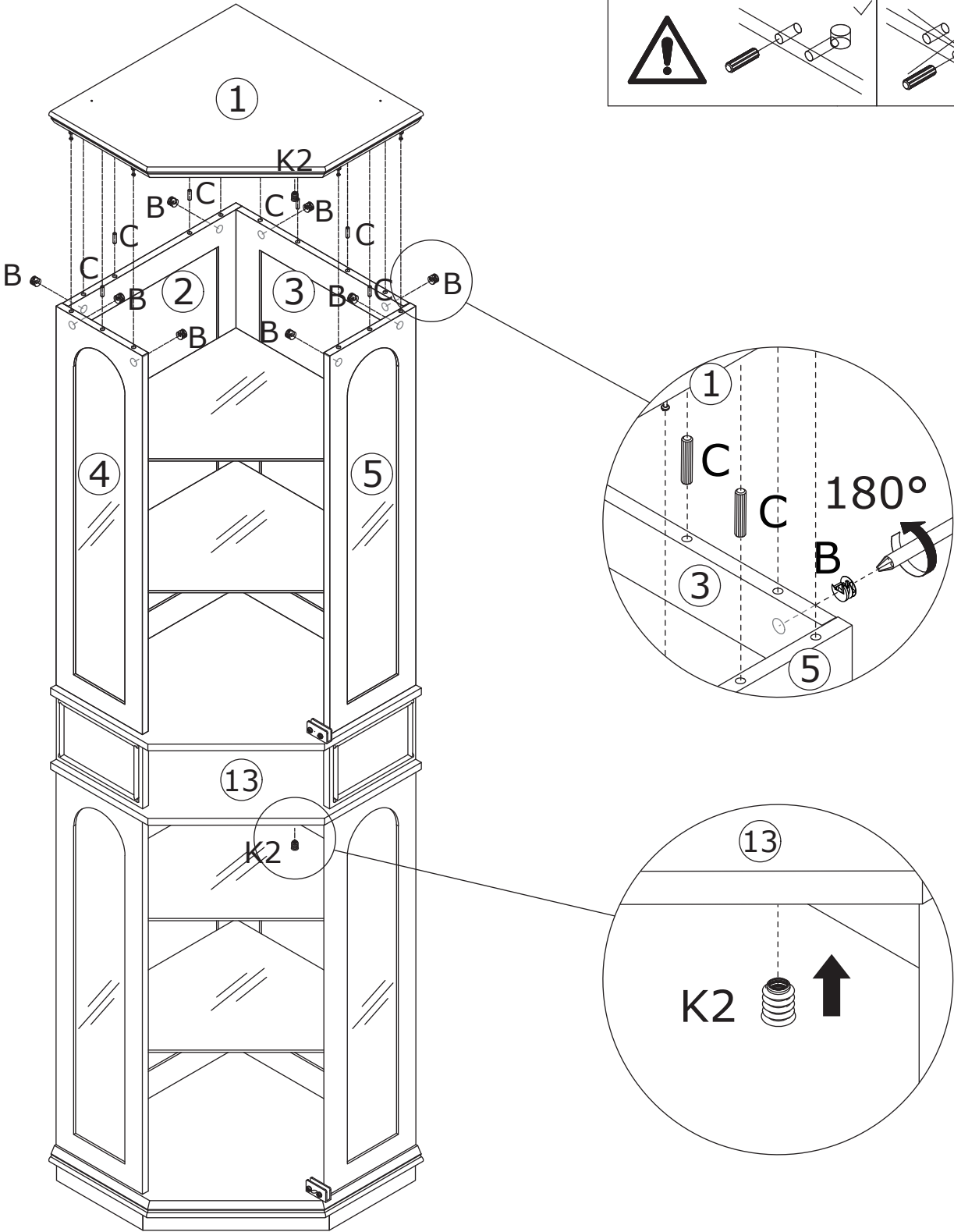
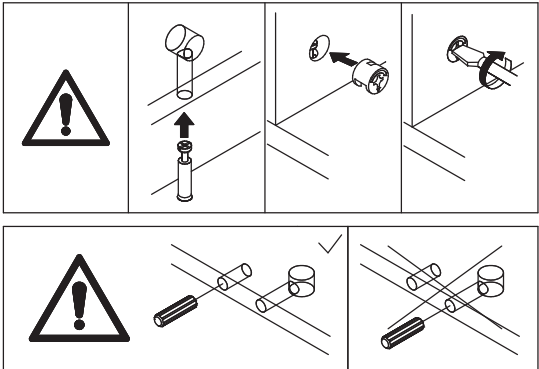
Screw eccentric rod A onto board 1.  
Secure magnetic catch R to board 1 using screw D.  
Attach light strip P into the slot on board 1, then insert sealing strip Q.




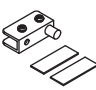
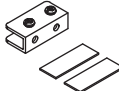

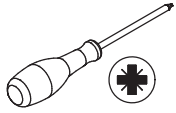
38

<p>B x 8</p>  <p>Ø15 x 11 mm</p>	<p>C x 6</p>  <p>Ø8 x 40 mm</p>	<p>K x 2</p> <p>K2</p> 	
---	--	--	---

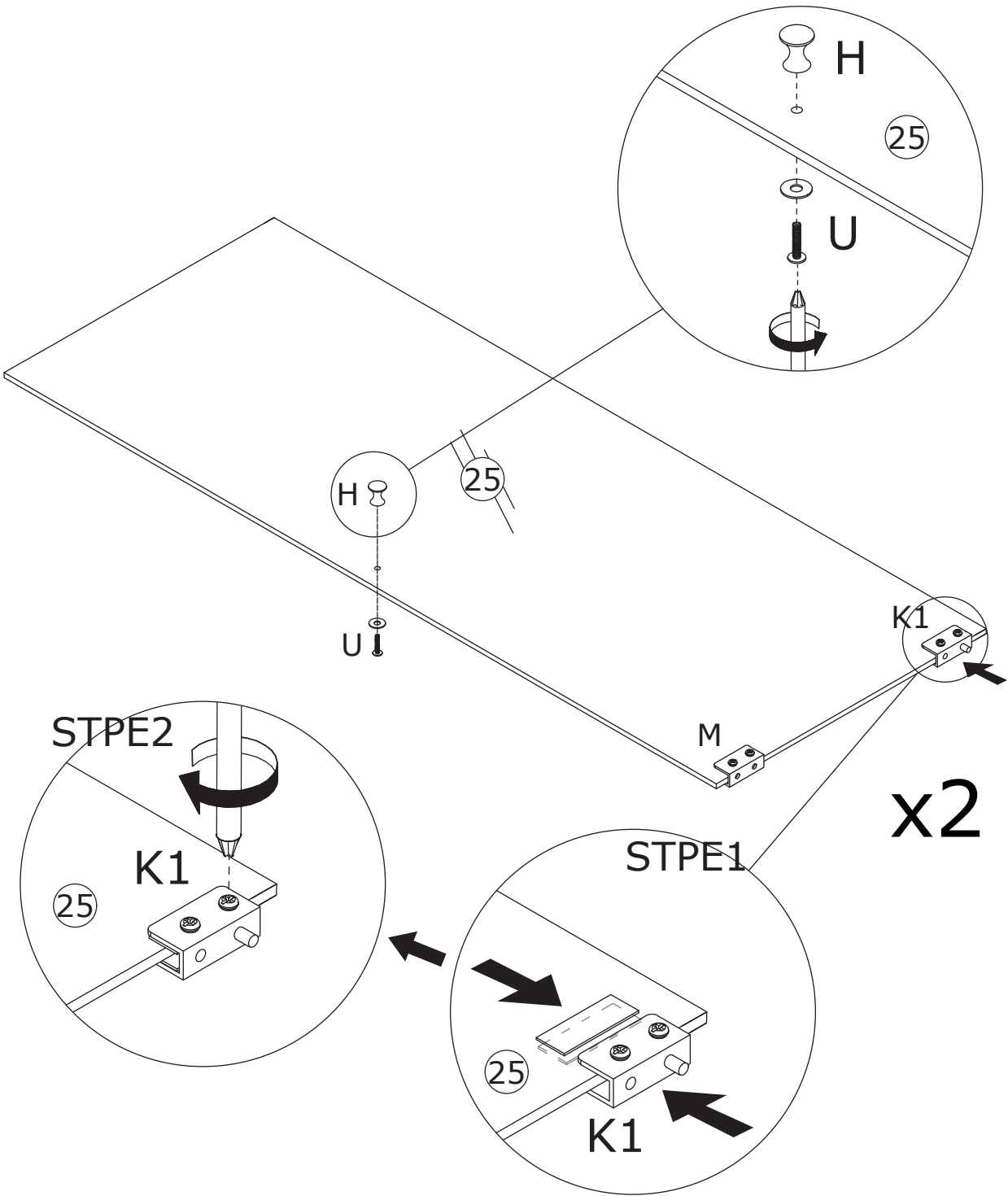
Connect board 1 to board 2, 3, 4, and 5 using dowel C, tighten by turning cam lock B clockwise. Insert accessory K2 into board 13.



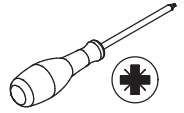
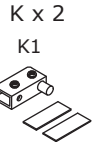
39

H x 2 	K x 2 K1 	M x 2 	U x 2  M4 x 10 mm	
--	--	--	---	---

Attach accessories K1 and M to glass door 25.  
Secure knob H using screw U with washers.



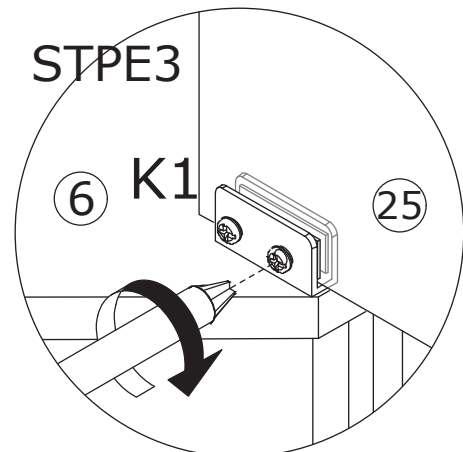
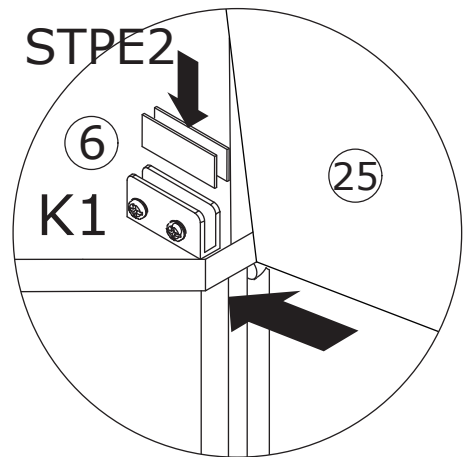
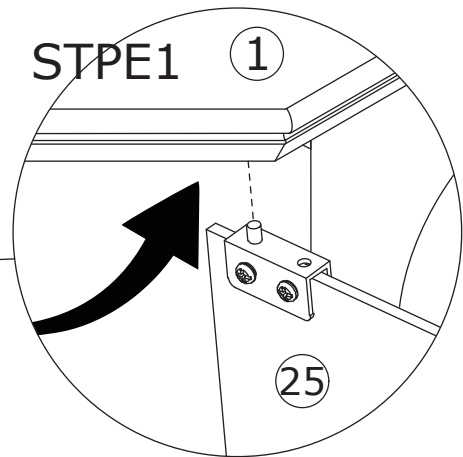
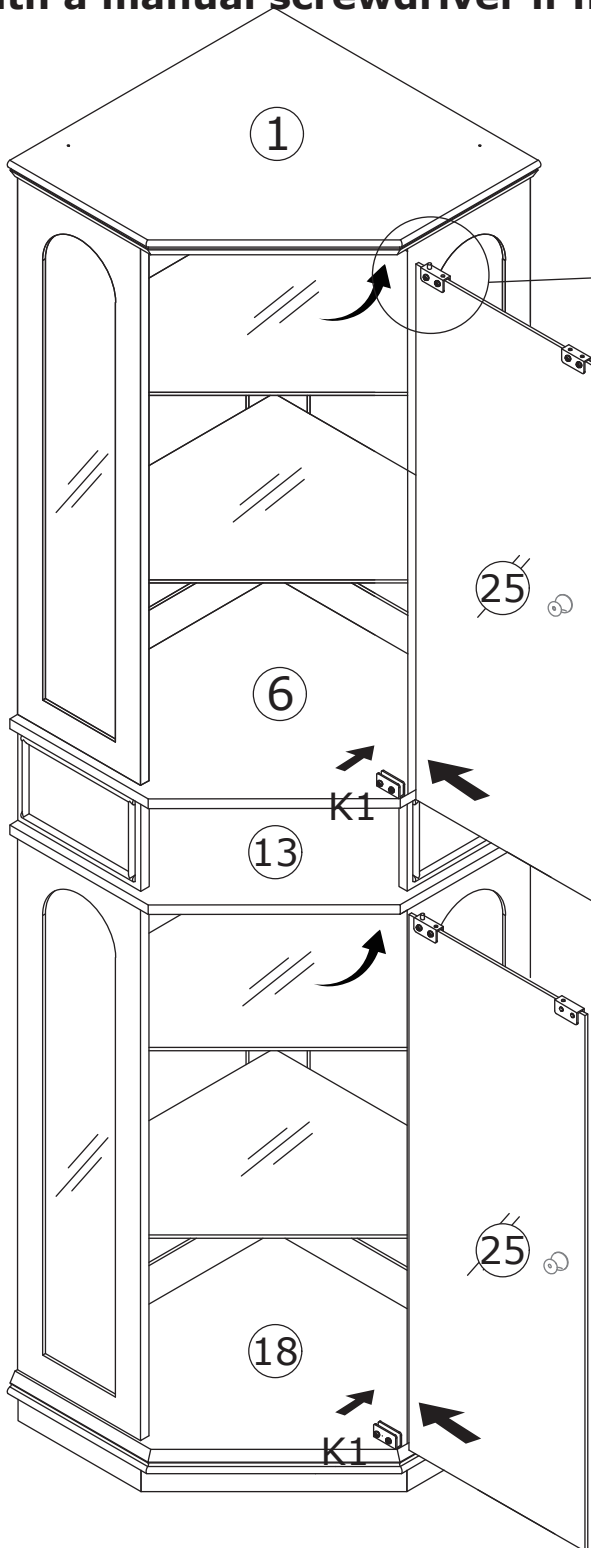
40



First connect top of the glass panels to accessory K2 on board 1 and 13.

Place the bottom of the glass panels and plastic sheets to K1 on board 6 and 18.

**Adjust door position by loosening screws of accessory K1 with a manual screwdriver if needed.**



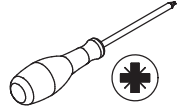
41

D x 12

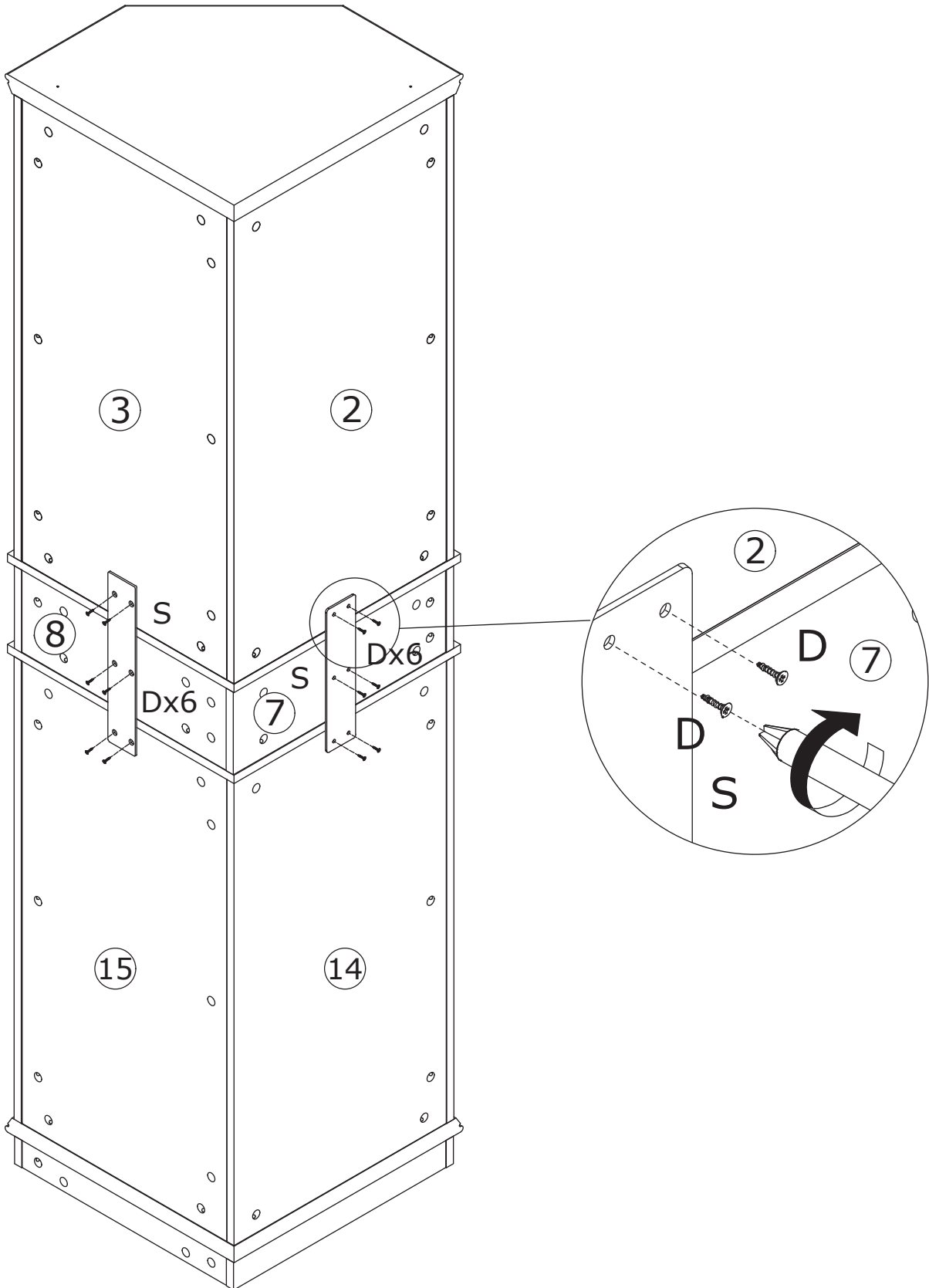


Ø8 x 30 mm

S x 2

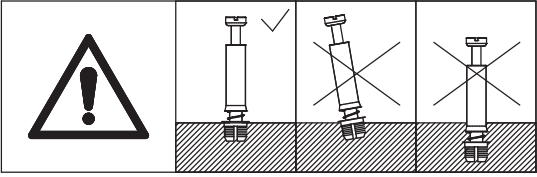
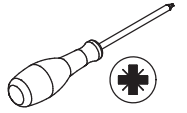


Secure metal plate S to board 2, 7, and 14 using screw D.  
Secure metal plate S to board 3, 8, and 15 using screw D.

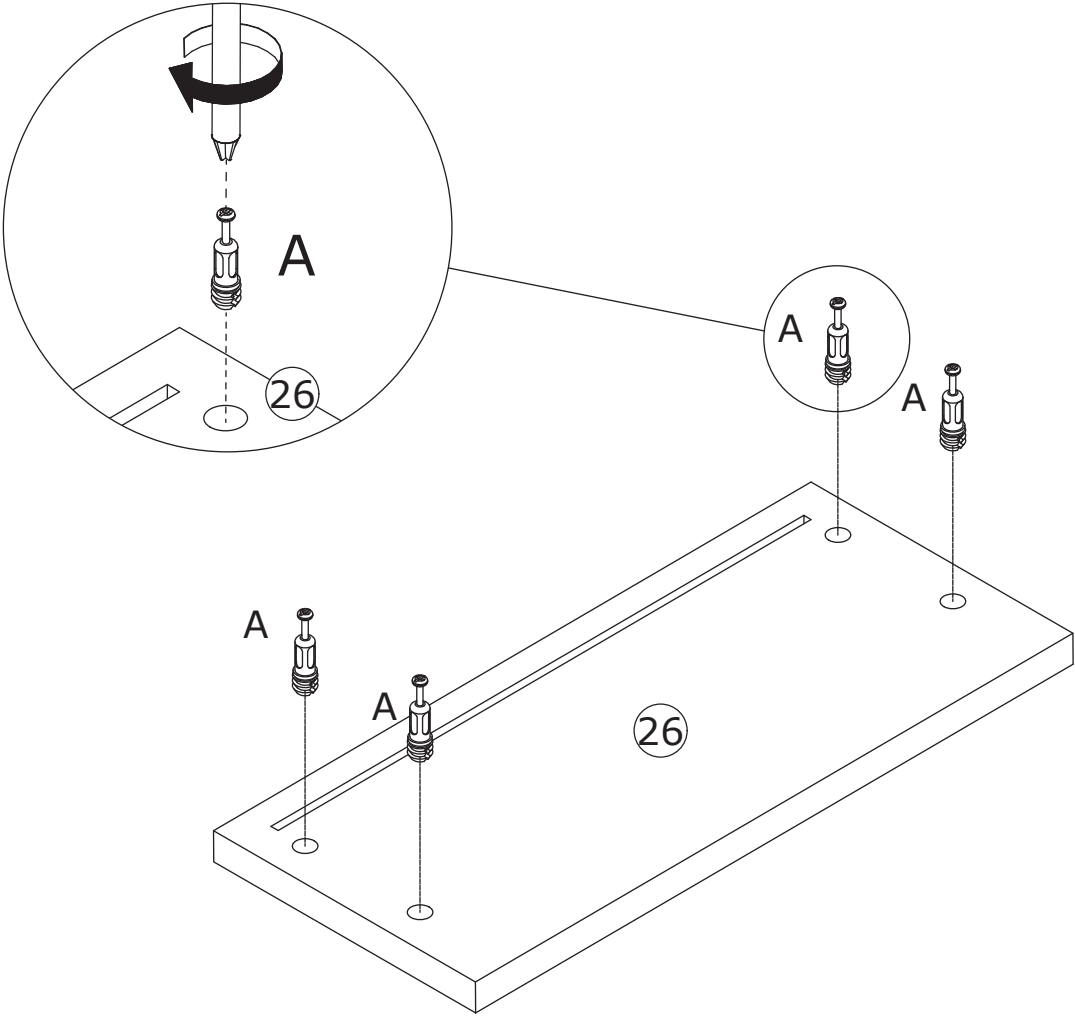


42

A x 4  
M7 x 40 mm



Screw eccentric rod A onto board 26.

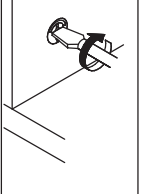
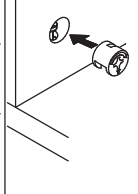
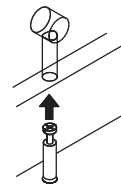
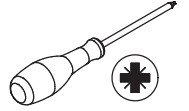


# 43

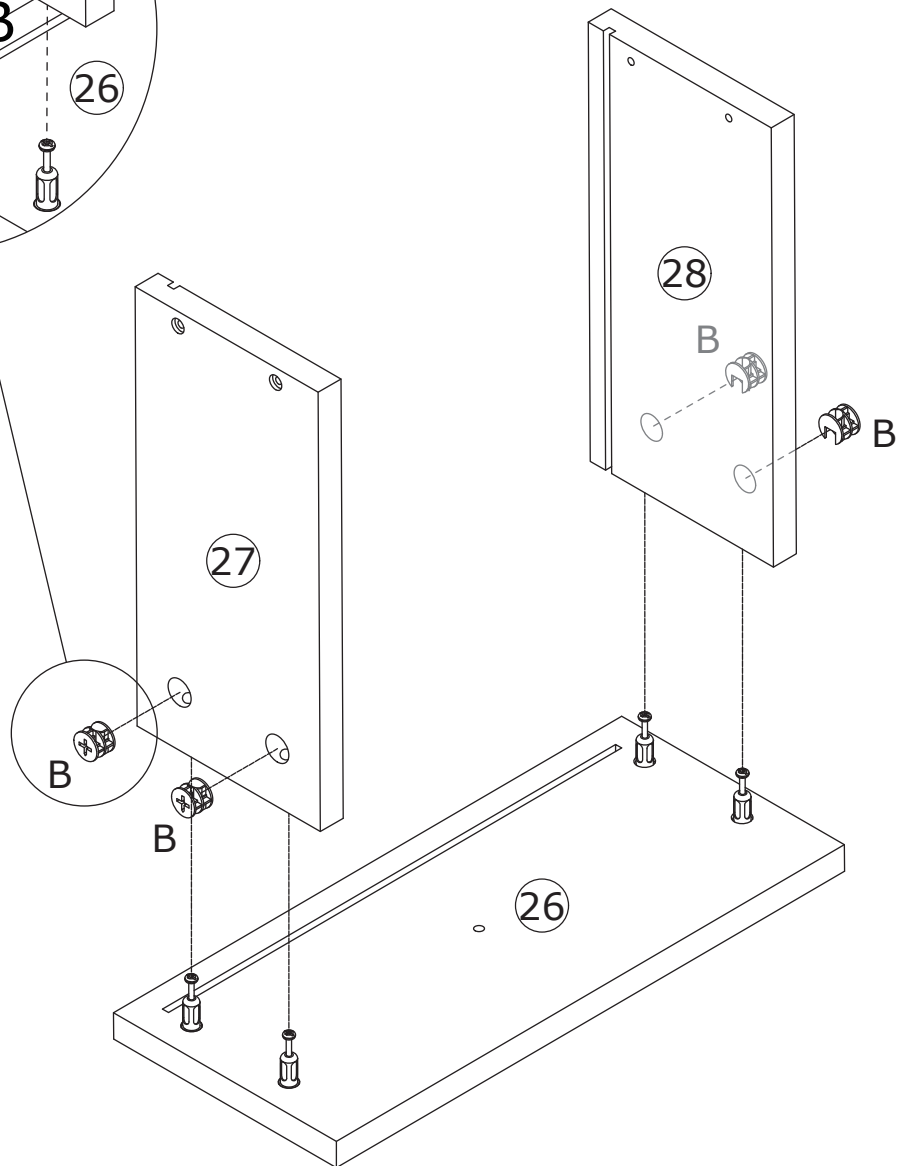
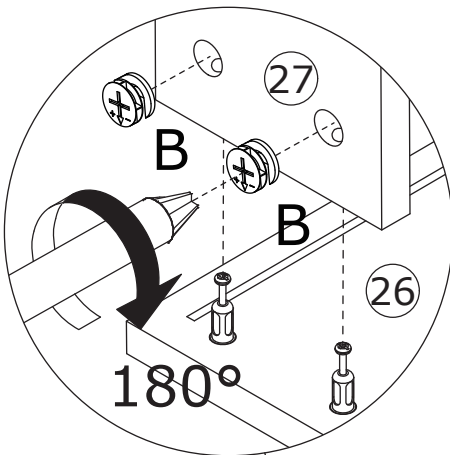
B x 4



Ø15 x 11 mm

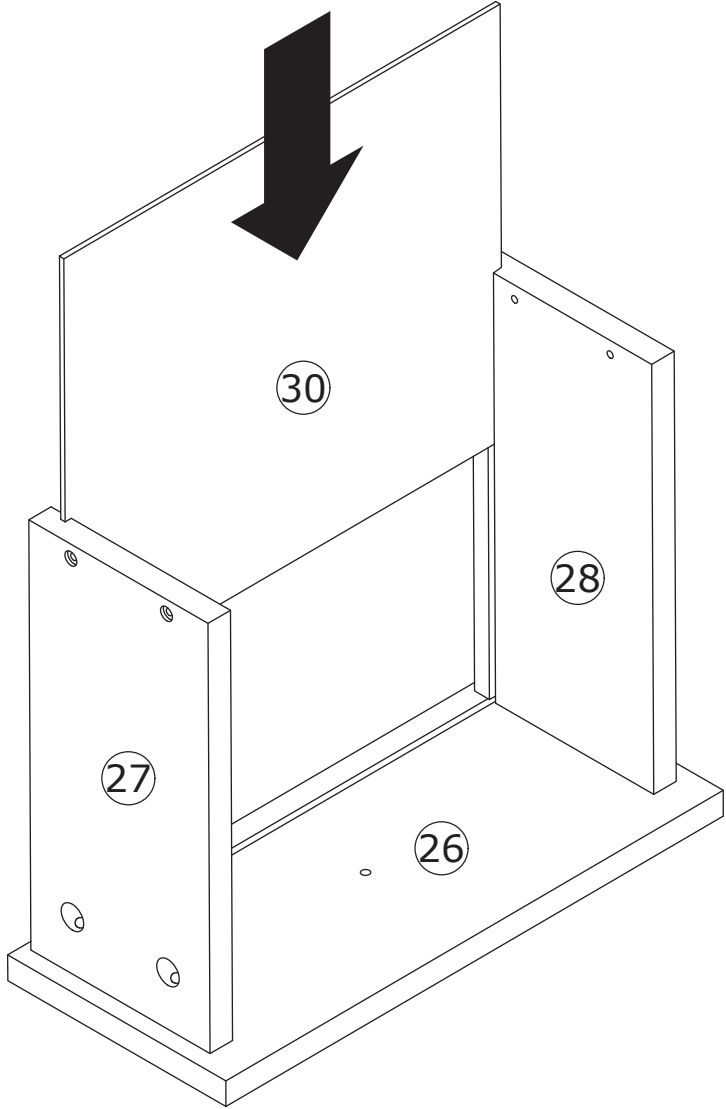


Connect board 26 to board 27 and 28, tighten by turning cam lock B clockwise.



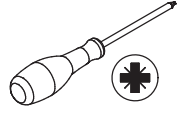
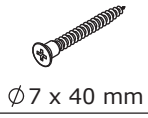
44

Insert board 30 into the slots.

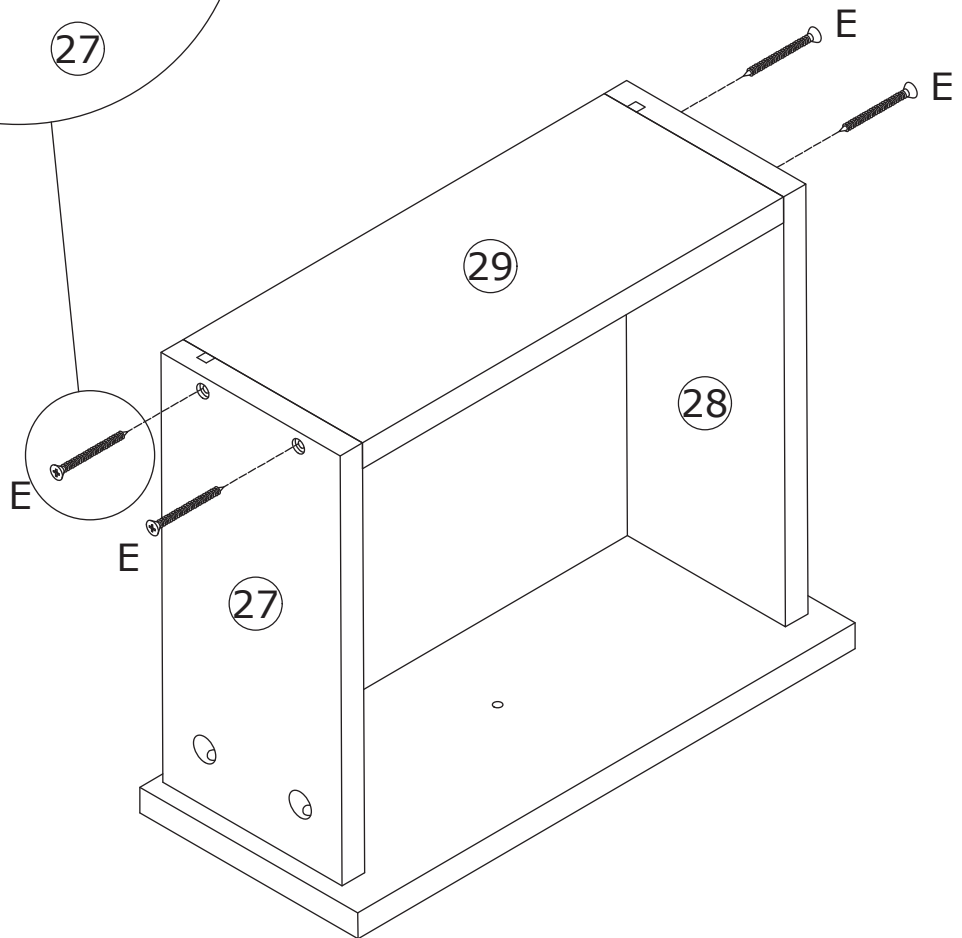
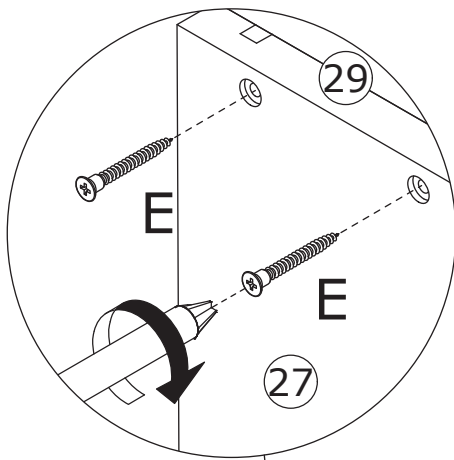


45

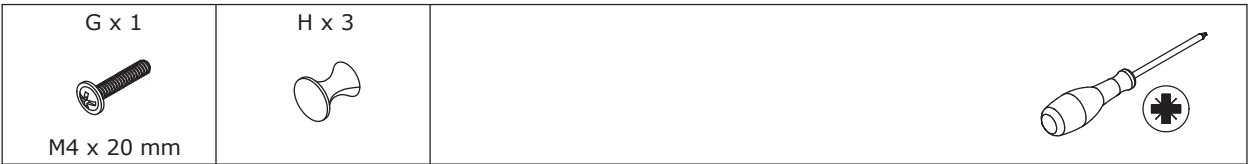
E x 4



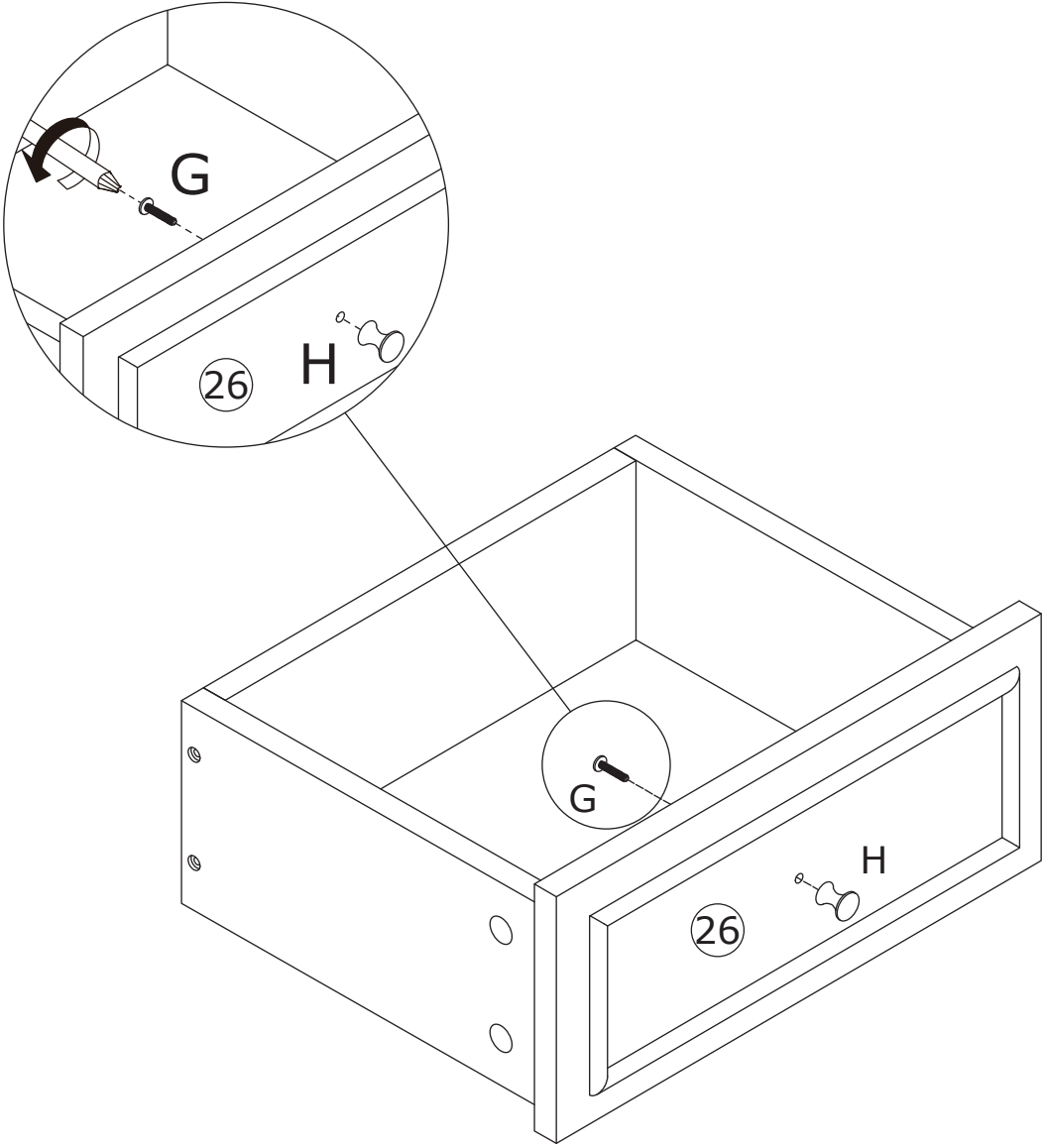
Secure board 29 to board 27 and 28 using screw E.



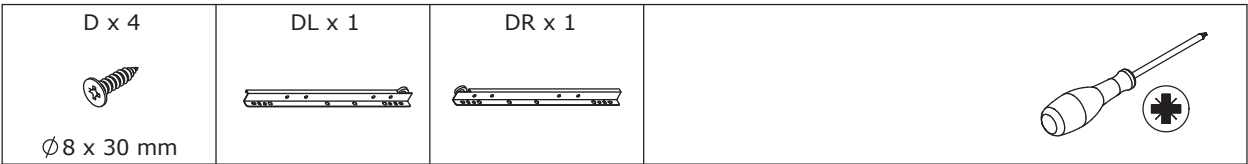
46



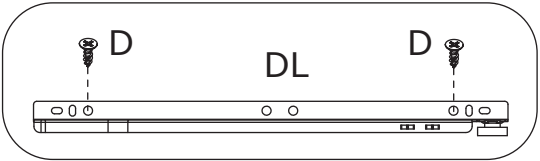
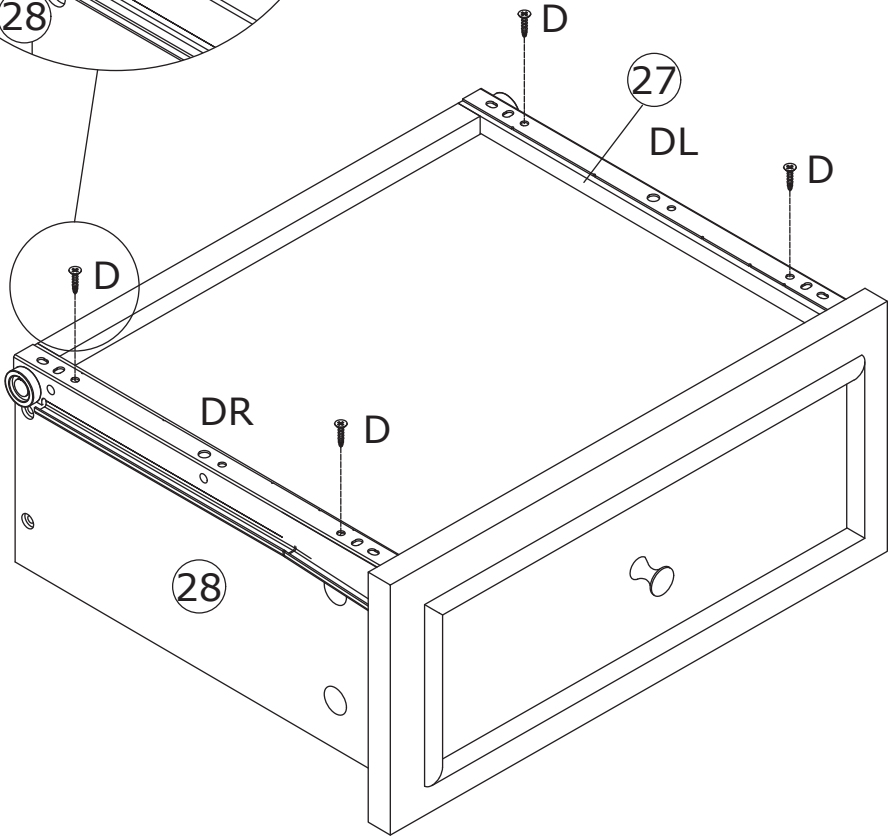
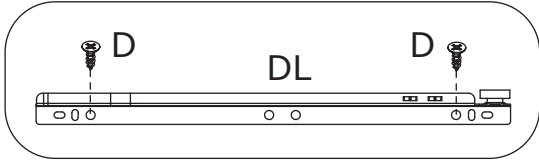
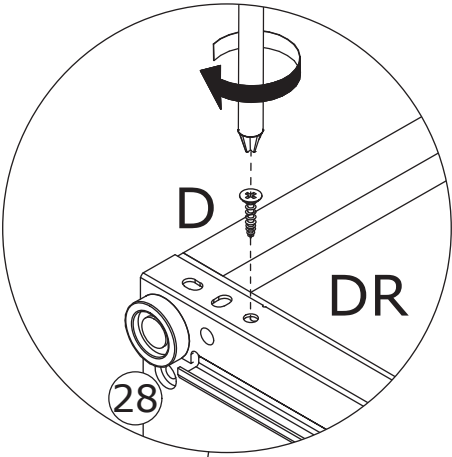
Secure knob H to board 26 using screw G.



47



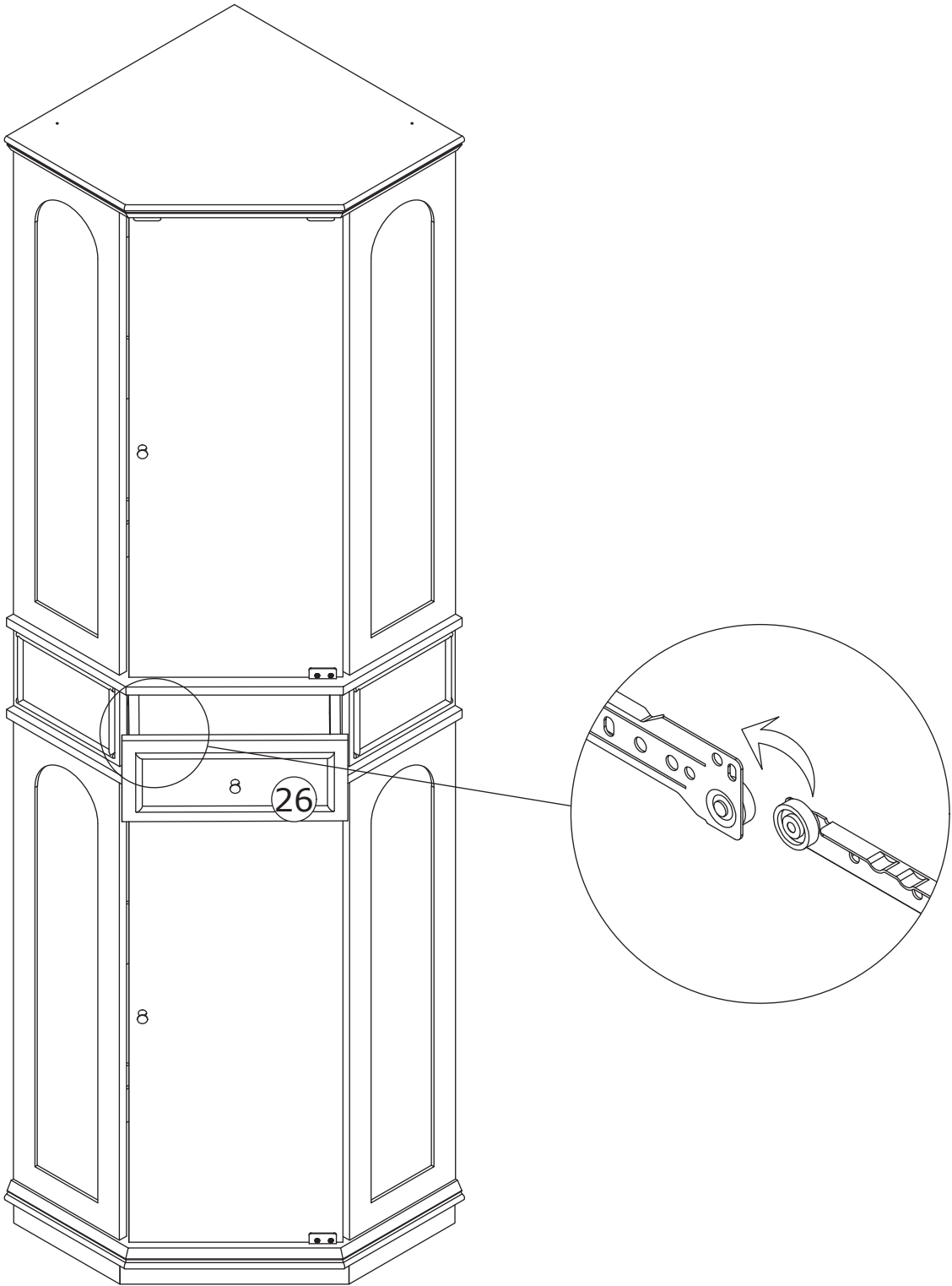
Secure rail DL and DR to board 27 and 28 using screw D.



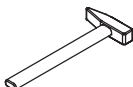
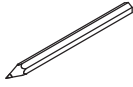
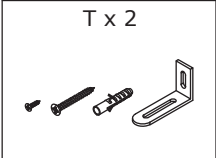
48



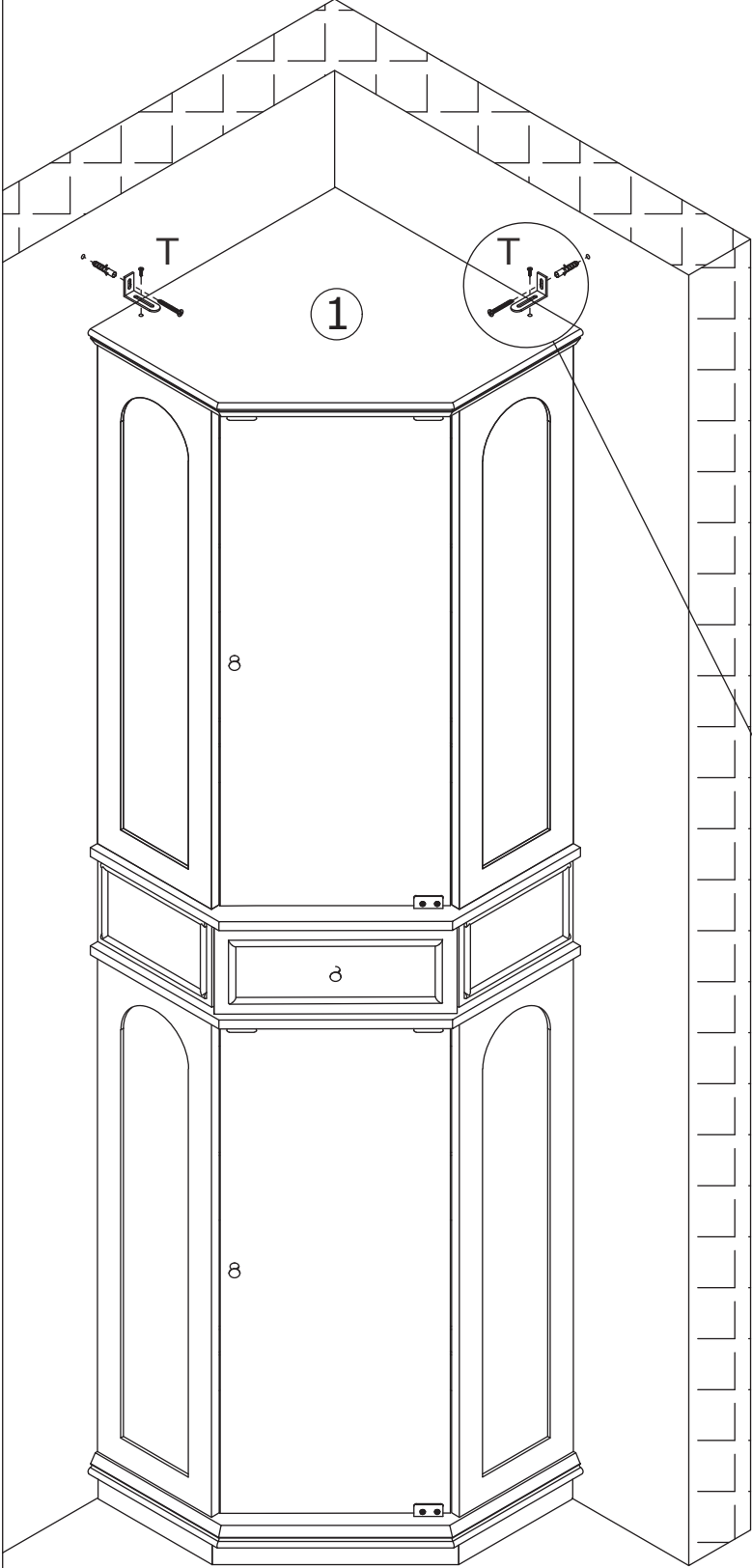
Insert the drawer into the cabinet.



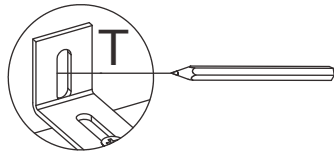
49



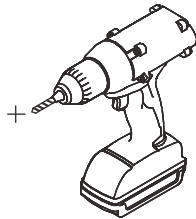
If required, install anti-tip device T as illustrated.



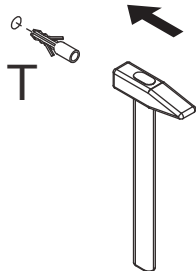
1.



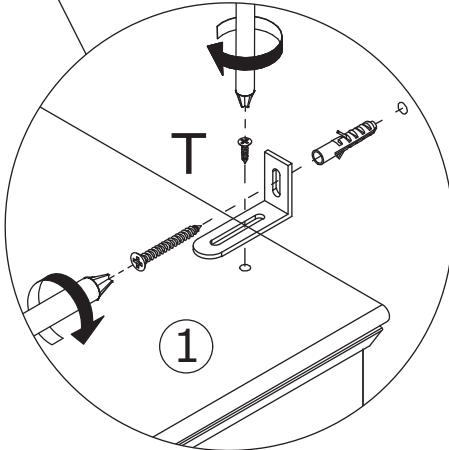
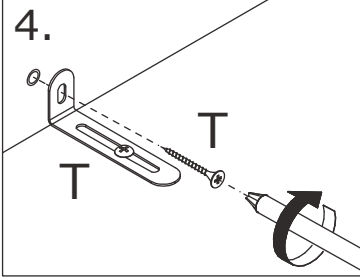
2.



3.



4.



# WARRANTY

## WARRANTY CLAIMS

- There is a 30-day warranty for broken furniture or any other problems that do not work properly. The warranty will start from the date of purchase which must be verified by proof of purchase.
- Before making a claim, we may be able to answer your query, simply call us. Please leave your purchase order number, along with some details of the problem, if you want a replacement part. We will arrange within 48 hours. If there is out of stock, we will reply with a shipping date.
- The product must be used in accordance with the instructions provided. For health reasons.
- For other reasons, if the furniture needs to be returned, it must be cleaned and dried and operated within 30 days of receipt.

## Type of Warranty Claim

- Failure to follow the furniture instructions will invalidate the warranty. Attention please.
- Does not include damage during installation, but includes damage during transportation.

## Scope of responsibility

- Shall not bear any responsibility for misuse or user damage and / or loss of parts during the installation of furniture.
- After using, the damage and scratches of the furniture are not covered by the warranty.

## The Warranty Relates to All Bought in The Us and Covers The Following Areas

- Sheet parts: 1 month from the date of purchase.
- Electrical parts: 1 month from the date of purchase.

# RETURNS

## CHANGED YOUR MIND AND NEED TO RETURN YOU ITEM?

### PLEASE FOLLOW THE BELOW INSTRUCTIONS:

- If you have purchased and have simply changed your mind, follow the retailer's instructions for returns.

### DEFECTIVE ITEMS

- If your item is defective in any way, i.e. it doesn't work but you can't identify why, in the first instance, please call us.

### DAMAGED ITEMS

- If you receive an order with obvious shipping damage from the retailer, then we suggest the delivery is refused. If the delivery has been accepted and then shipping damage is found, please follow the specific instructions advised by the retailer.  
In all circumstances please save all packaging material and paperwork for the order. Please be aware that if you dispose of packaging material or attempt to return the merchandise without contacting the fulfiller, you jeopardise your chances of making a claim, and you may not receive a credit for the return.

### AFTER-SALES CONTACT



adelahu@fufugaga.com



208-820-0068